



US00D473854S

(12) **United States Design Patent**
Powell et al.

(10) **Patent No.:** **US D473,854 S**

(45) **Date of Patent:** **** Apr. 29, 2003**

(54) **FRONT PANEL OF RACK MOUNTED AUDIO EQUIPMENT**

(75) Inventors: **Mark H. Powell**, Marina del Rey, CA (US); **Etienne H. Iliffe-Moon**, Los Angeles, CA (US); **Saro Nalbandian**, Glendale, CA (US); **Daniel W. Ashcraft**, Torrance, CA (US); **David Wathen**, Los Angeles, CA (US)

(73) Assignee: **Gibson Guitar Corp.**, Nashville, TN (US)

(**) Term: **14 Years**

(21) Appl. No.: **29/158,354**

(22) Filed: **Apr. 3, 2002**

(51) **LOC (7) Cl.** **14-03**

(52) **U.S. Cl.** **D14/188; D14/257**

(58) **Field of Search** D14/188, 193-198, D14/217-224, 265, 257; 455/344, 347-353, 90

(56) **References Cited**

U.S. PATENT DOCUMENTS

- 1,477,785 A * 12/1923 Szukalski, Jr. D14/265 X
- D144,074 S * 3/1946 Scull et al. D14/188
- D315,160 S * 3/1991 Azuelos D14/188
- 5,523,531 A * 6/1996 Ozaki 455/347

- D394,858 S * 6/1998 Wordinger et al. D14/188
- D416,264 S * 11/1999 Althans et al. D14/217
- 6,049,290 A * 4/2000 Halstead 455/344
- D443,602 S * 6/2001 Scorrano D14/194
- D445,099 S * 7/2001 Benders D14/217
- D455,728 S * 4/2002 Kobayashi D14/217
- D468,734 S * 1/2003 Schmitt D14/217

* cited by examiner

Primary Examiner—Prabhakar Deshmukh

(74) *Attorney, Agent, or Firm*—Wadley & Patterson; Lucian Wayne Beavers

(57) **CLAIM**

The ornamental design for a front panel of rack mounted audio equipment, as shown and described.

DESCRIPTION

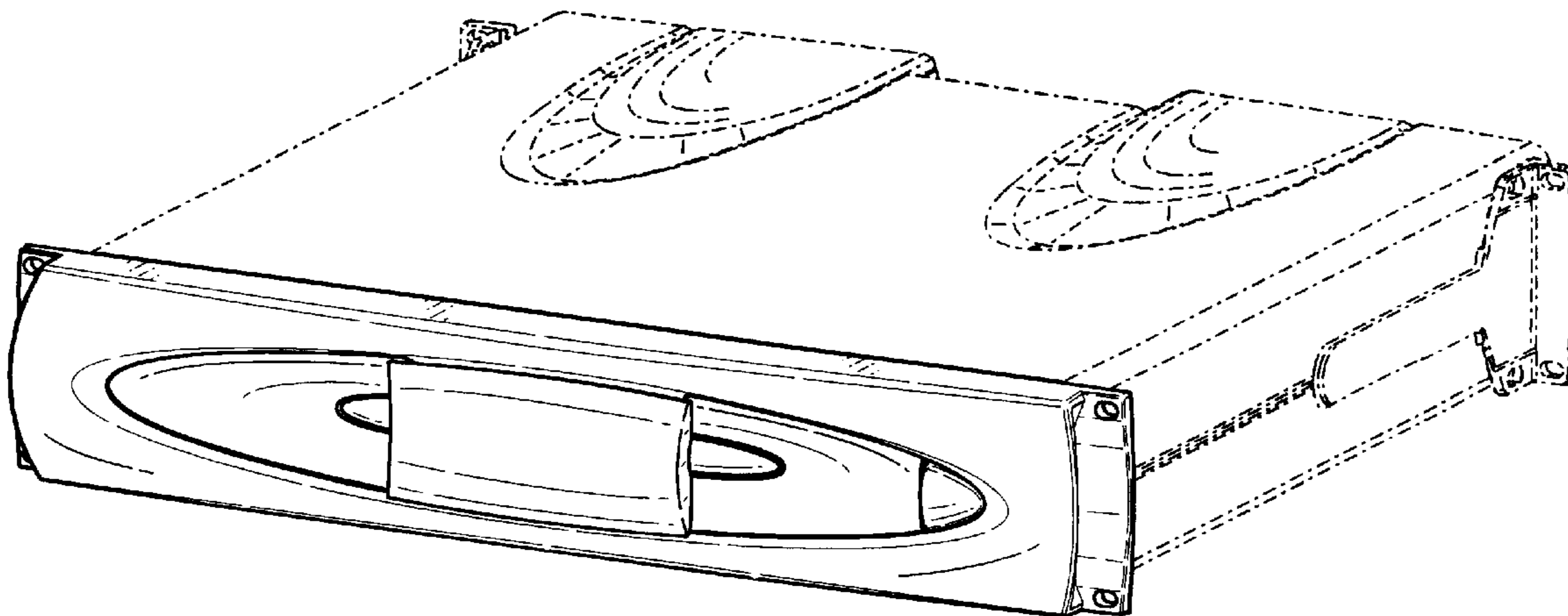
FIG. 1 is a front upper perspective view showing the front panel of rack mounted audio equipment of Applicants' invention.

FIG. 2 is a front elevation of the front panel of rack mounted audio equipment of Applicants' invention; and,

FIG. 3 is a front lower perspective view showing the front panel of rack mounted audio equipment of Applicants' invention.

The broken lines are shown for environmental purpose only and form no part of the claimed design.

1 Claim, 1 Drawing Sheet



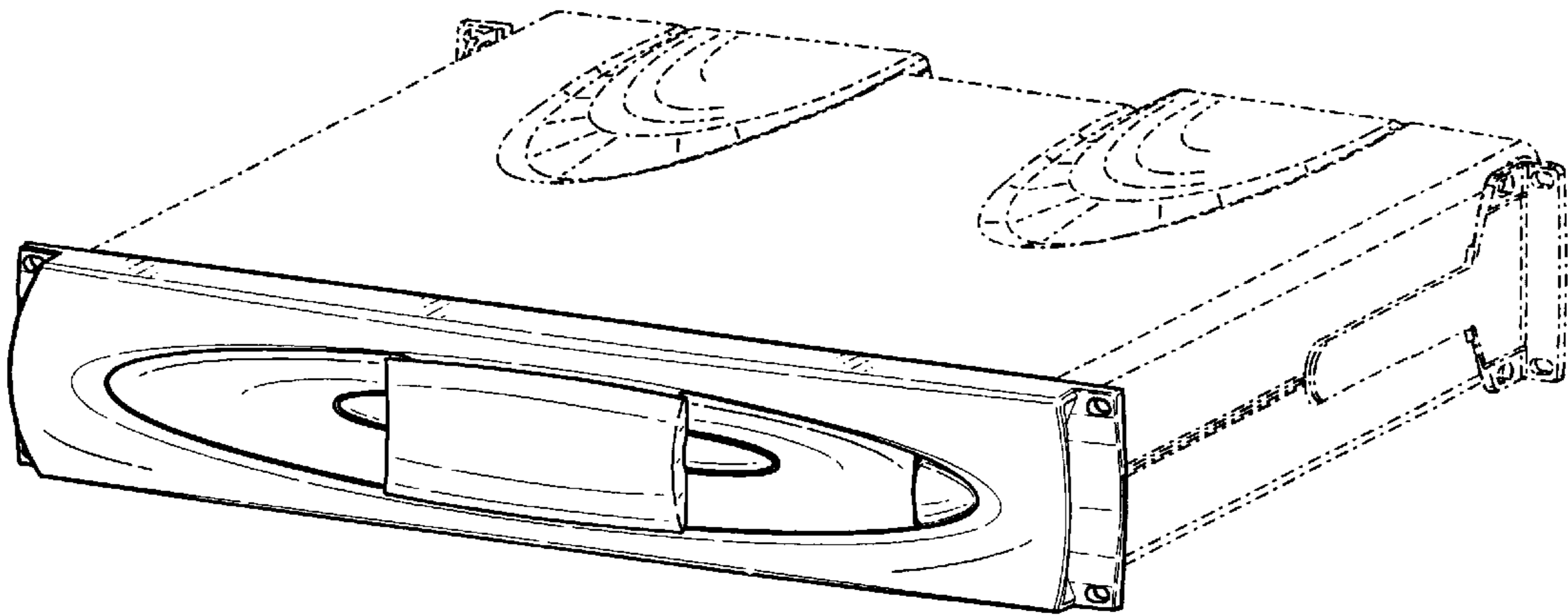


FIG. 1

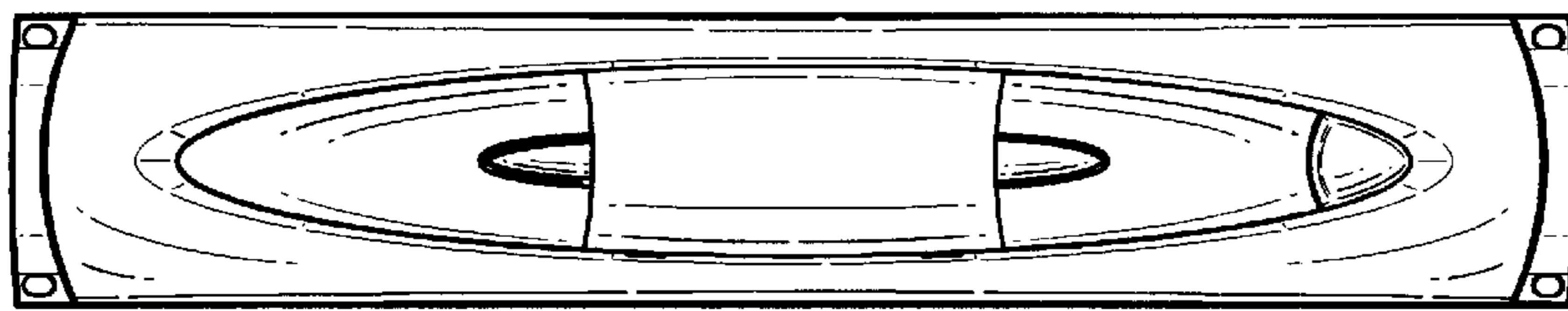


FIG. 2

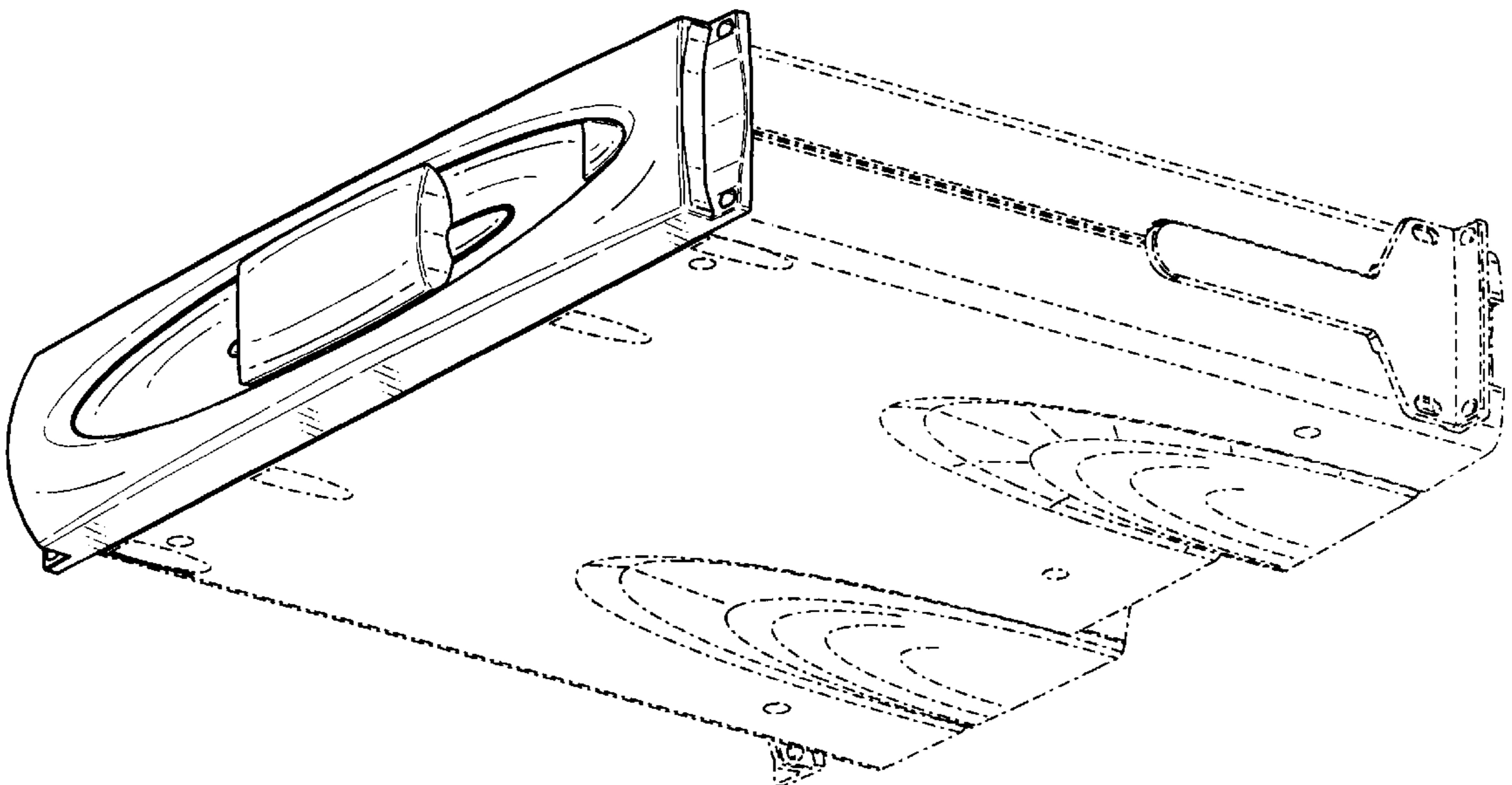


FIG. 3