



US00D473852S

(12) **United States Design Patent**  
**Frank et al.**

(10) **Patent No.:** **US D473,852 S**

(45) **Date of Patent:** **\*\* Apr. 29, 2003**

(54) **FACE PANEL FOR A HPCI BOARD**

(75) Inventors: **Christopher H. Frank**, Campbell, CA (US); **Adam Richardson**, Oakland, CA (US)

(73) Assignee: **Sun Microsystems, Inc.**, Santa Clara, CA (US)

(\*\*) Term: **14 Years**

(21) Appl. No.: **29/161,047**

(22) Filed: **May 20, 2002**

(51) **LOC (7) Cl.** ..... **13-03**

(52) **U.S. Cl.** ..... **D13/182**

(58) **Field of Search** ..... D13/173, 177, D13/182, 199; D14/257; 174/35 R, 66, 76.1; 361/640, 679, 704, 727, 728, 730, 736, 742, 758; 439/41.17, 76.1, 329, 439, 476.1, 607

(56) **References Cited**

**U.S. PATENT DOCUMENTS**

5,708,552	A	*	1/1998	Han et al.	.....	361/799
5,774,343	A	*	6/1998	Benson et al.	.....	361/796
D409,159	S	*	5/1999	Wein, Jr.	.....	D13/182
D415,116	S	*	10/1999	Creutz et al.	.....	D13/182
6,067,225	A	*	5/2000	Reznikov et al.	.....	361/685
6,080,930	A	*	6/2000	Lommen et al.	.....	174/35 GC
6,304,456	B1	*	10/2001	Wortman	.....	361/796
6,370,035	B1	*	4/2002	De Cecco et al.	.....	361/796

\* cited by examiner

*Primary Examiner*—Ted Shooman

*Assistant Examiner*—Selina Sikder

(74) *Attorney, Agent, or Firm*—O'Melveny & Myers LLP

(57) **CLAIM**

The ornamental design for a face panel for a HPCI board, as shown and described.

**DESCRIPTION**

The design consists of the ornamental shape of a face panel for a HPCI board of a computer system. The face panel is the portion of the HPCI board that remains visible after the HPCI boards is fully inserted into a slot of a computer system. Surfaces behind the face panel are not a part of the design.

FIG. 1 is a perspective view of the face panel for a HPCI board with the swiveling handle in a folded position, viewed from a position to the left of the face panel.

FIG. 2 is a plan view of the face panel for a HPCI board with the swiveling handle in a folded position.

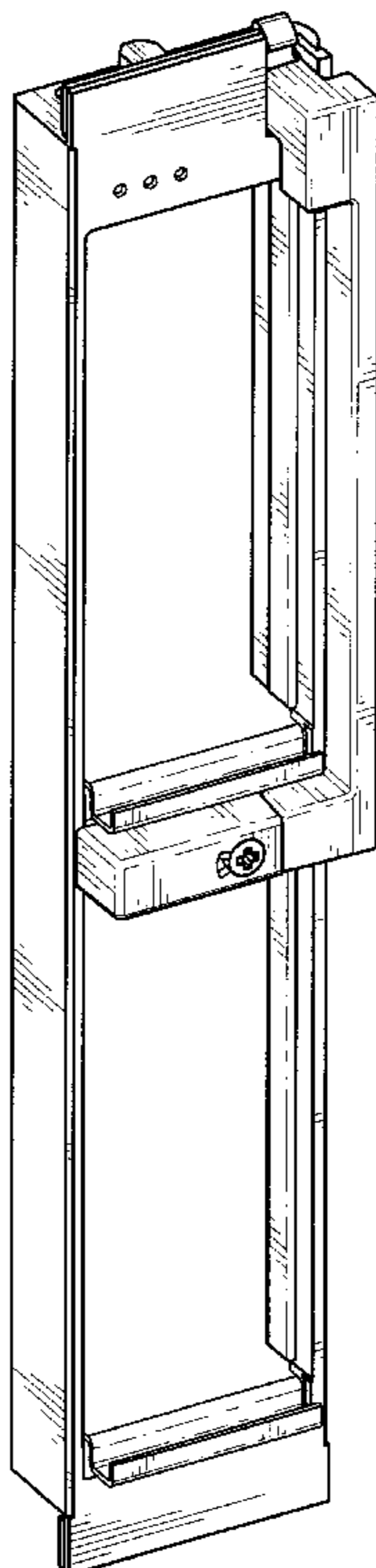
FIG. 3 is a perspective view of the face panel for a HPCI board with swiveling handle in a folded position, viewed from a position to the right of the face panel.

FIG. 4 is a perspective view of the face panel for a HPCI board with the swiveling handle in an extended position, viewed from a position to the left of the face panel.

FIG. 5 is a plan view of the face panel for a HPCI board with the swiveling handle in an extended position; and,

FIG. 6 is a perspective view of the face panel for a HPCI board with the swiveling handle in an extended position, viewed from a position to the right of the face panel.

**1 Claim, 6 Drawing Sheets**



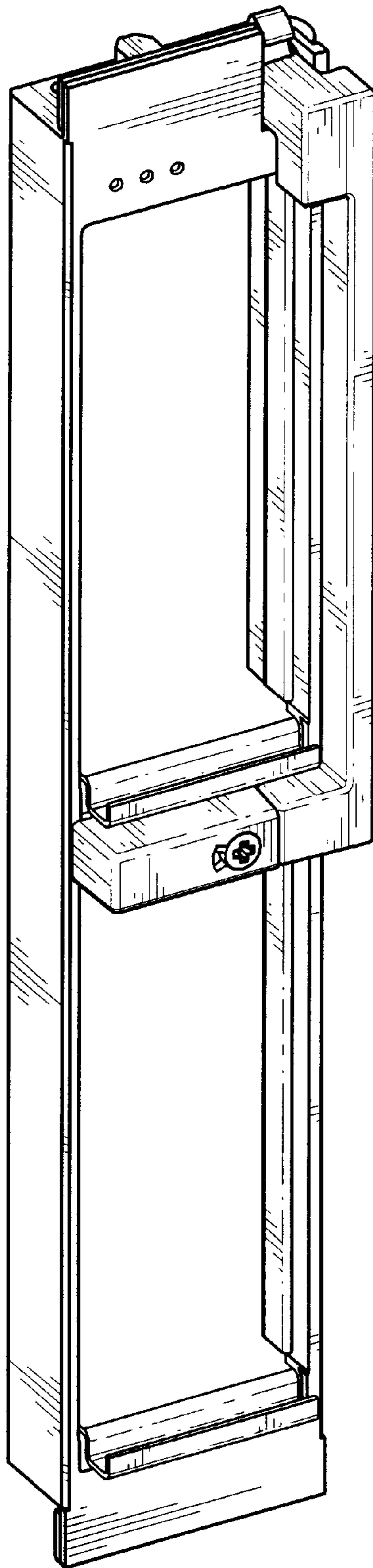


FIG. 1

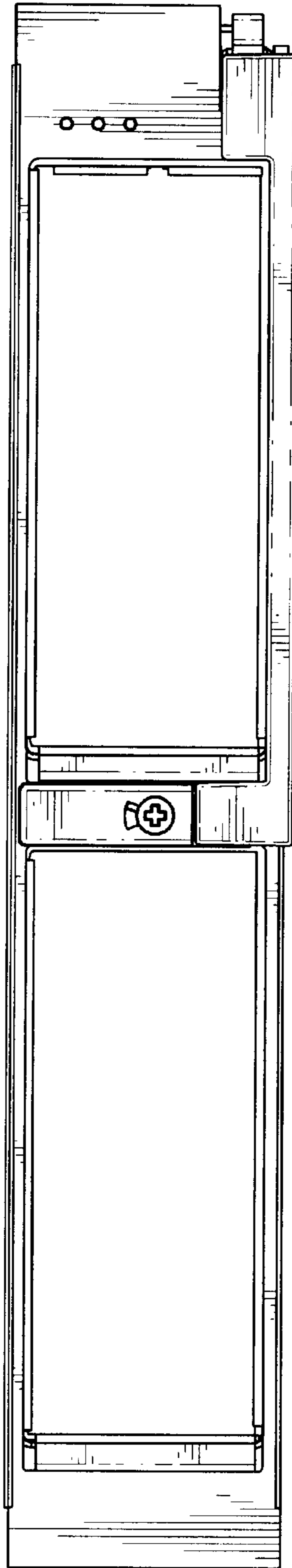


FIG. 2

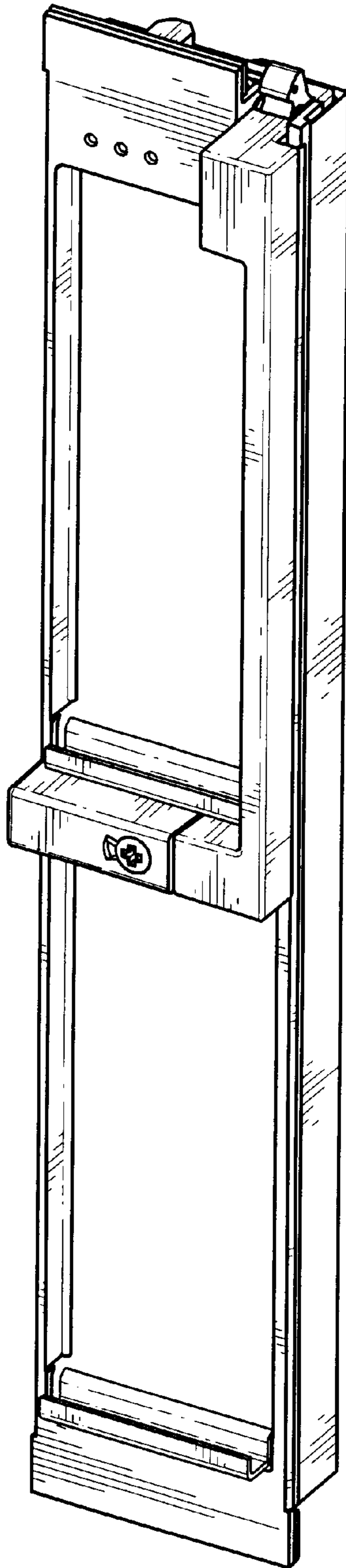


FIG. 3

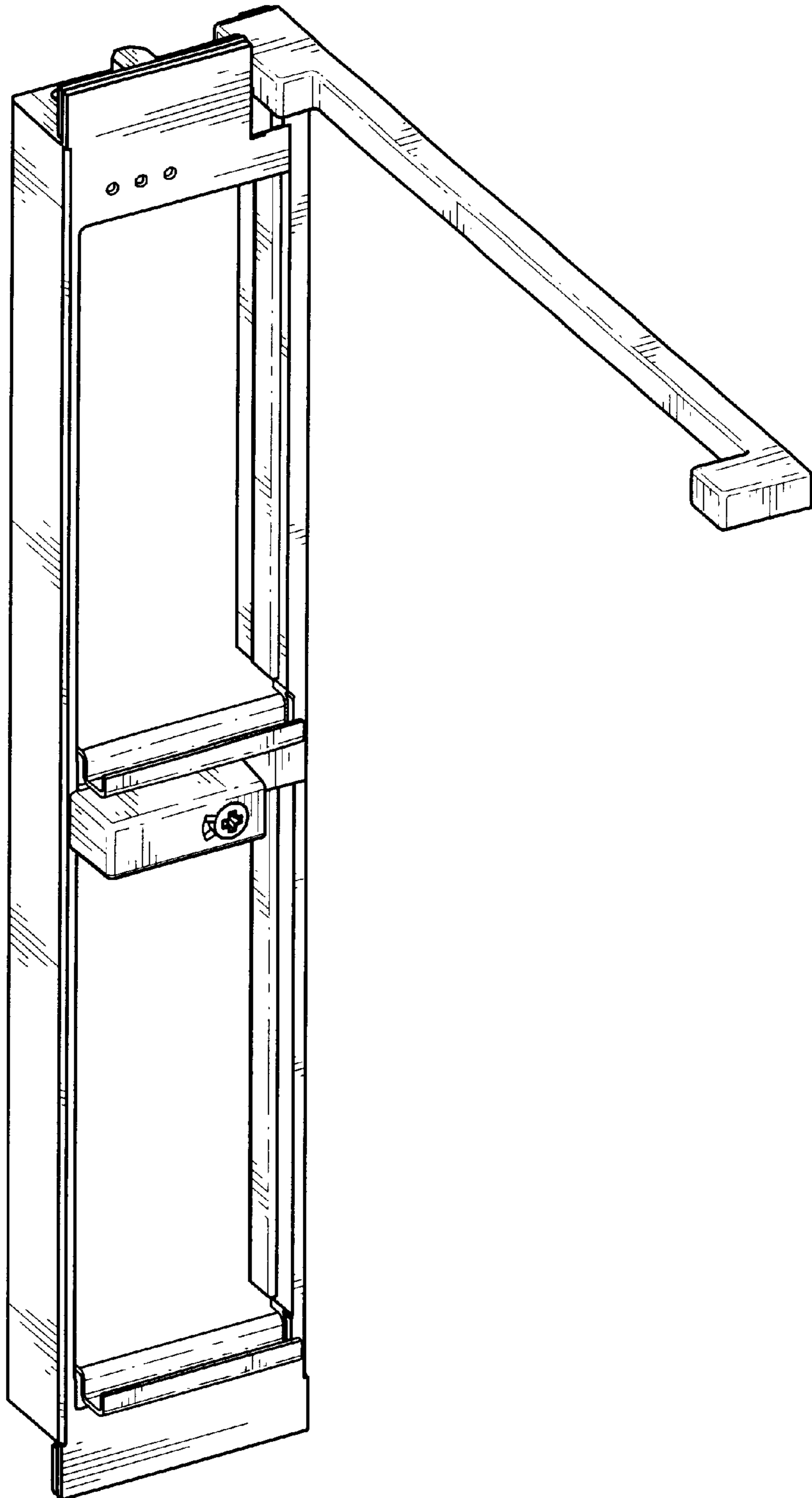


FIG. 4

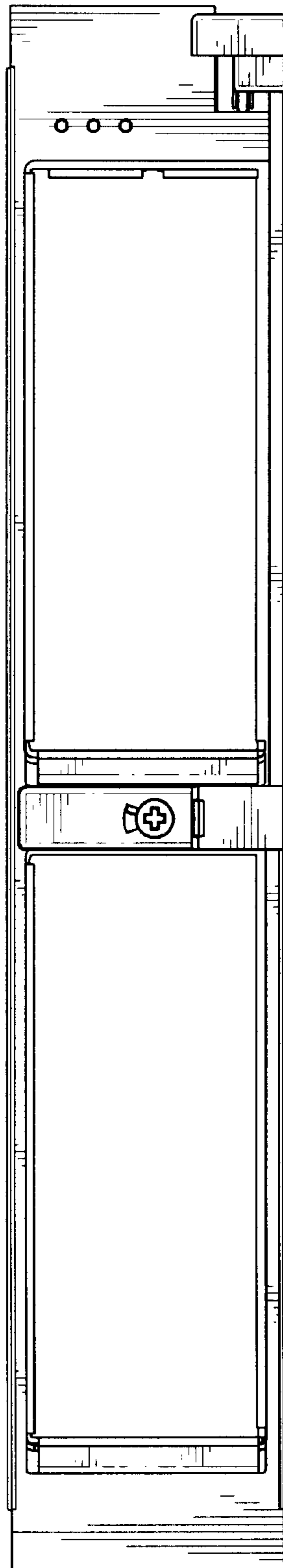


FIG. 5

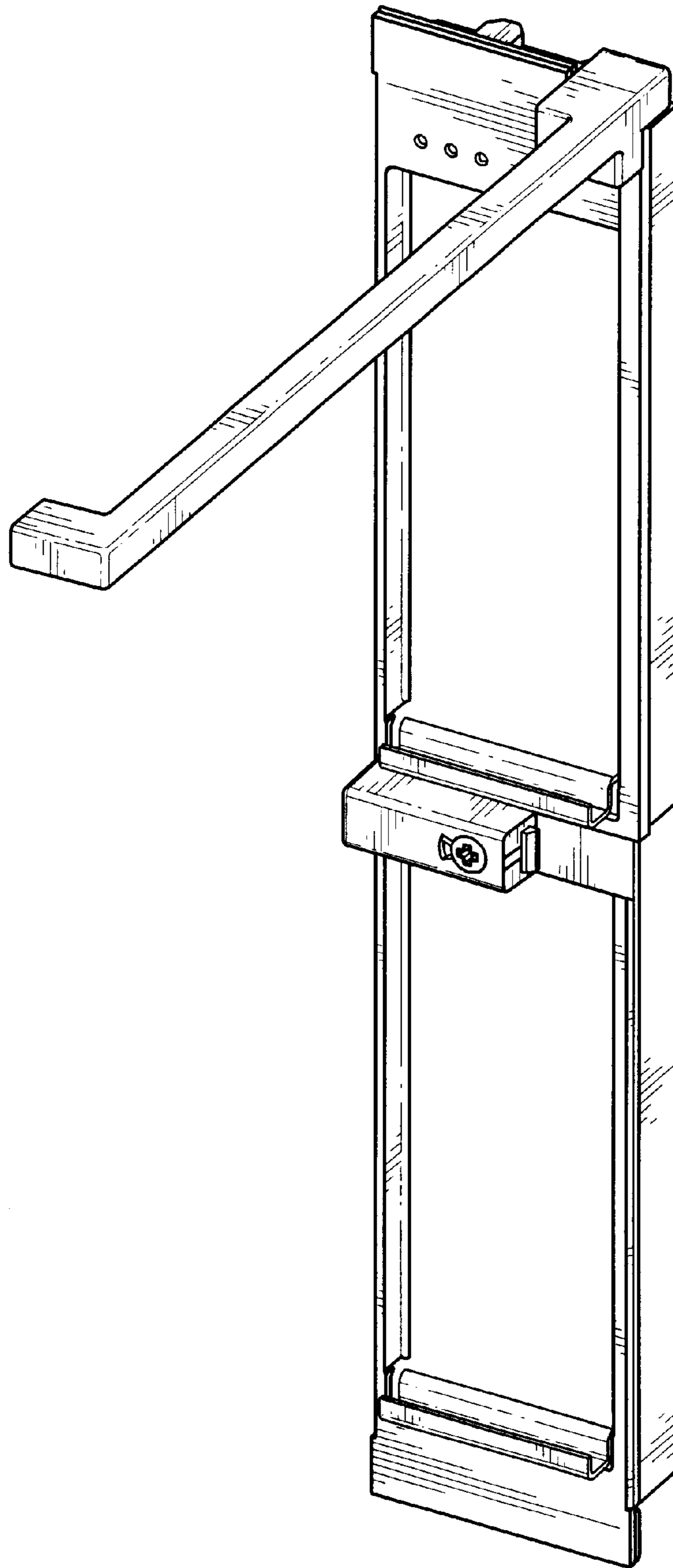


FIG. 6