



US00D473851S

(12) **United States Design Patent**
Krajci et al.

(10) **Patent No.:** **US D473,851 S**

(45) **Date of Patent:** **** Apr. 29, 2003**

(54) **ROTARY DIMMER AND FAN SPEED CONTROL**

(75) Inventors: **Edward Krajci**, Franklin Square, NY (US); **Fred Meiners**, Wantagh, NY (US); **Michael Khleb**, Old Bridge, NJ (US); **Selin Glickman**, Great Neck, NY (US); **Alfred J. Lombardi**, LaGrangeville, NY (US)

(73) Assignee: **Leviton Manufacturing Co., Inc.**, Little Neck, NY (US)

(**) Term: **14 Years**

(21) Appl. No.: **29/155,572**

(22) Filed: **Feb. 12, 2002**

(51) **LOC (7) Cl.** **13-03**

(52) **U.S. Cl.** **D13/162**

(58) **Field of Search** D8/350, 353; D13/158, D13/162, 169, 171, 177; 174/66, 67; 200/11 R, 570, 36, 37 R, 518, 528, 544, 233, 274, 276.1, 329, 336; 220/241, 242; 307/112, 115, 112.5

(56) **References Cited**

U.S. PATENT DOCUMENTS

3,997,820 A * 12/1976 Stefani 361/820
4,133,990 A * 1/1979 Wanner et al. 200/6 B

4,724,286 A * 2/1988 Cummins 200/4
D304,442 S * 11/1989 Fenne D13/169
D316,248 S * 4/1991 Dob D13/162
D356,567 S * 3/1995 Jones D13/162
5,408,046 A * 4/1995 Vandeventer 174/67
D361,985 S * 9/1995 Snyder D13/177
D396,401 S * 7/1998 Christie D8/353
D412,155 S * 7/1999 Gatchell et al. D13/164

* cited by examiner

Primary Examiner—Ted Shooman

Assistant Examiner—Selina Sikder

(74) *Attorney, Agent, or Firm*—Paul J. Sutton

(57) **CLAIM**

The ornamental design for a rotary dimmer and fan speed control, as shown and described.

DESCRIPTION

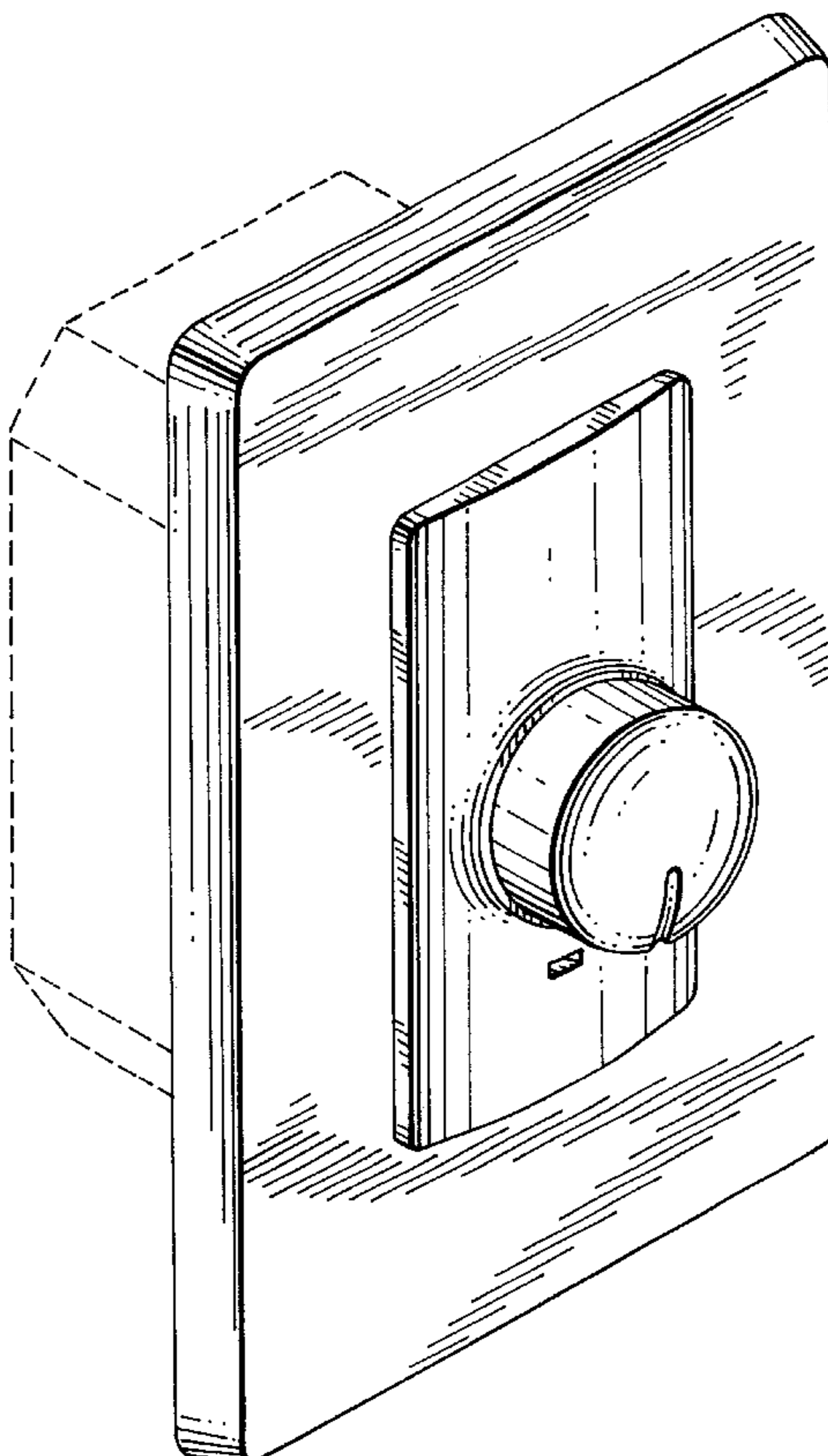
FIG. 1 is a top, front and left side perspective view illustrating our new design of a rotary dimmer and fan speed control with the broken line showing, for illustrative purposes only, a housing that forms no part of the claimed design;

FIG. 2 is a front elevational view thereof;

FIG. 3 is a right side elevational view, the left side being a mirror image thereof; and,

FIG. 4 is a bottom plan view, the top plan view being a mirror image thereof.

1 Claim, 2 Drawing Sheets



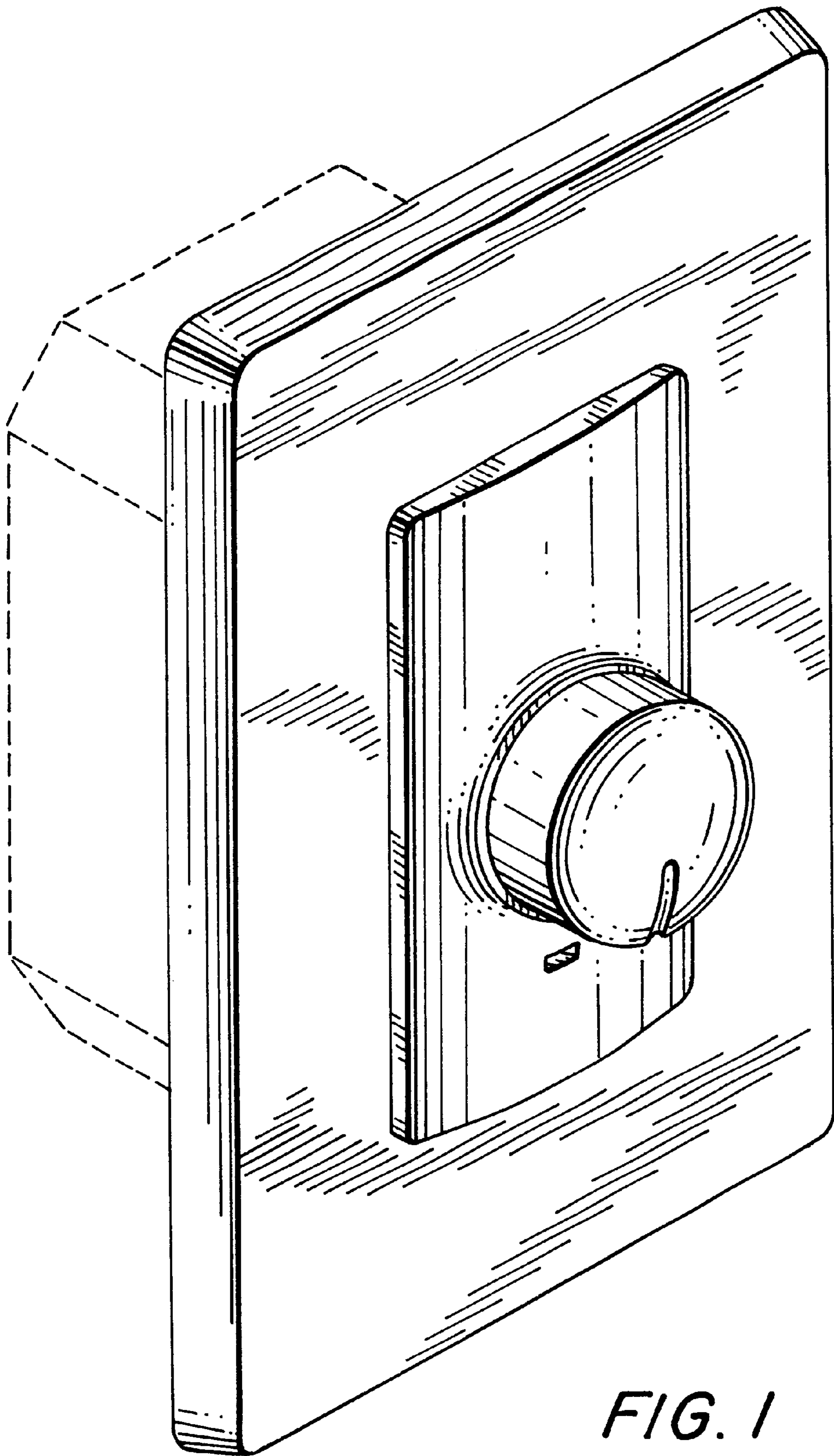


FIG. 1

FIG. 2

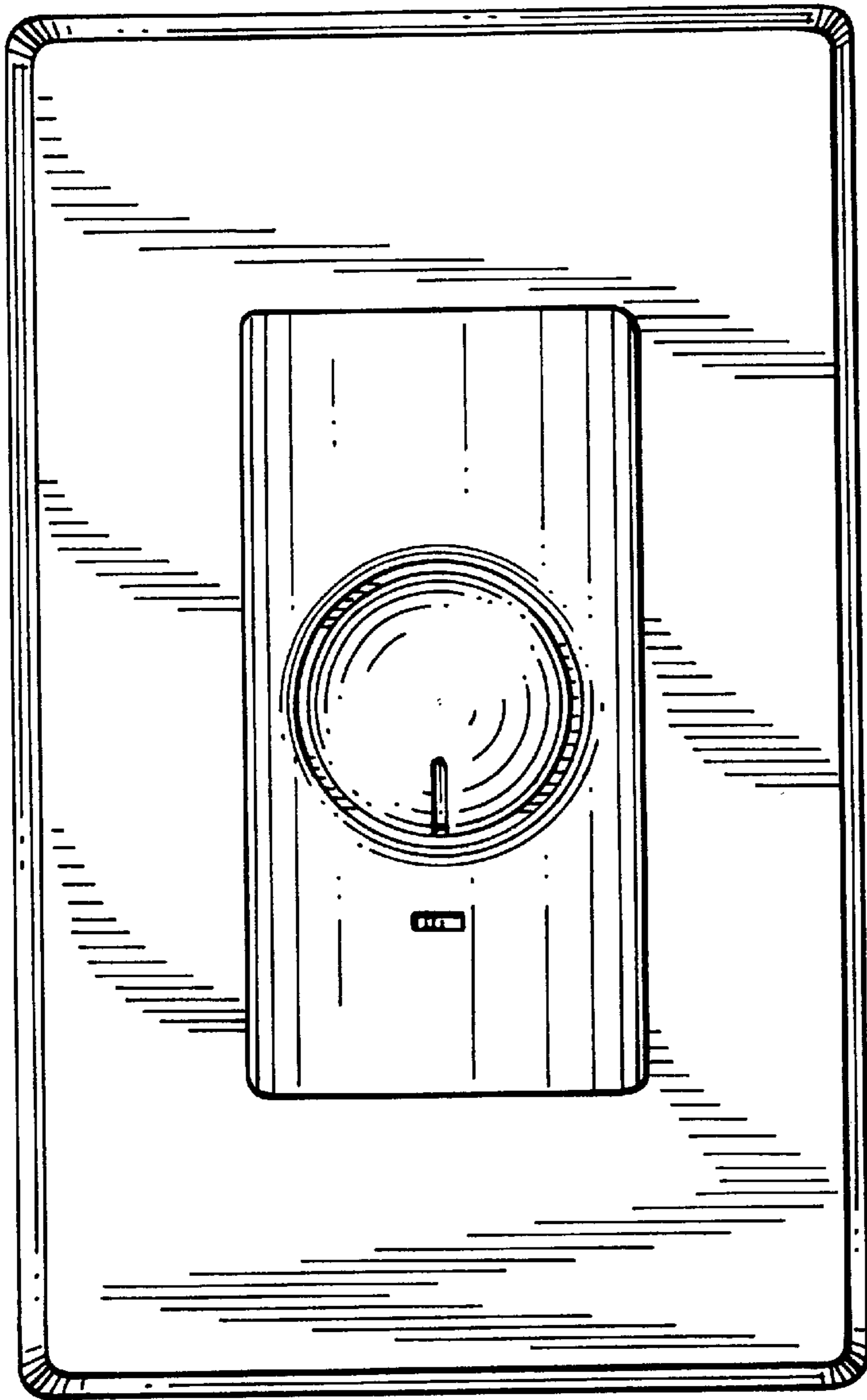


FIG. 3

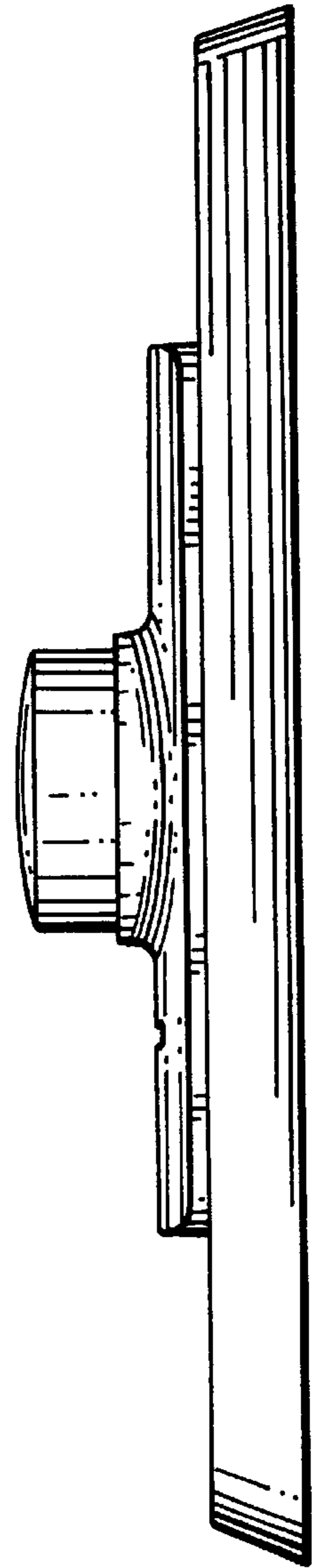


FIG. 4

