



US00D473849S

(12) **United States Design Patent**  
**Yeh**

(10) **Patent No.:** **US D473,849 S**

(45) **Date of Patent:** **\*\* Apr. 29, 2003**

(54) **ELECTRICAL CONNECTOR**

(75) Inventor: **Joel Jyhaur Yeh**, San Gabrie, CA  
(US)

(73) Assignee: **Hon Hai Precision Ind. Co., Ltd.**,  
Taipei Hsien (TW)

(\*\*) Term: **14 Years**

(21) Appl. No.: **29/164,393**

(22) Filed: **Jul. 23, 2002**

(51) **LOC (7) Cl.** ..... **13-03**

(52) **U.S. Cl.** ..... **D13/147**

(58) **Field of Search** ..... D13/147; 439/153,  
439/157, 346

(56) **References Cited**

**U.S. PATENT DOCUMENTS**

3,998,518	A	*	12/1976	Mathe	.....	439/346
4,070,081	A	*	1/1978	Takahashi	.....	439/157 X
4,469,388	A	*	9/1984	Narozny	.....	439/153
5,108,298	A	*	4/1992	Simmel	.....	439/157
5,183,408	A	*	2/1993	Hatagishi	.....	439/157
5,658,162	A	*	8/1997	Harting et al.	.....	439/157 X

\* cited by examiner

*Primary Examiner*—Joel Sincavage

(74) *Attorney, Agent, or Firm*—Wei Te Chung

(57) **CLAIM**

The ornamental design for an electrical connector, as shown.

**DESCRIPTION**

FIG. 1 is a front, top and left side perspective view of an electrical connector showing my new design according to a first state;

FIG. 2 is a front elevational view thereof;

FIG. 3 is a rear elevational view thereof;

FIG. 4 is a left side elevational view thereof;

FIG. 5 is a right side elevational view thereof;

FIG. 6 is a top plan view thereof;

FIG. 7 is a bottom plan view thereof;

FIG. 8 is a front, top and left side perspective view of an electrical connector showing my new design according to a second state;

FIG. 9 is a front elevational view thereof;

FIG. 10 is a rear elevational view thereof;

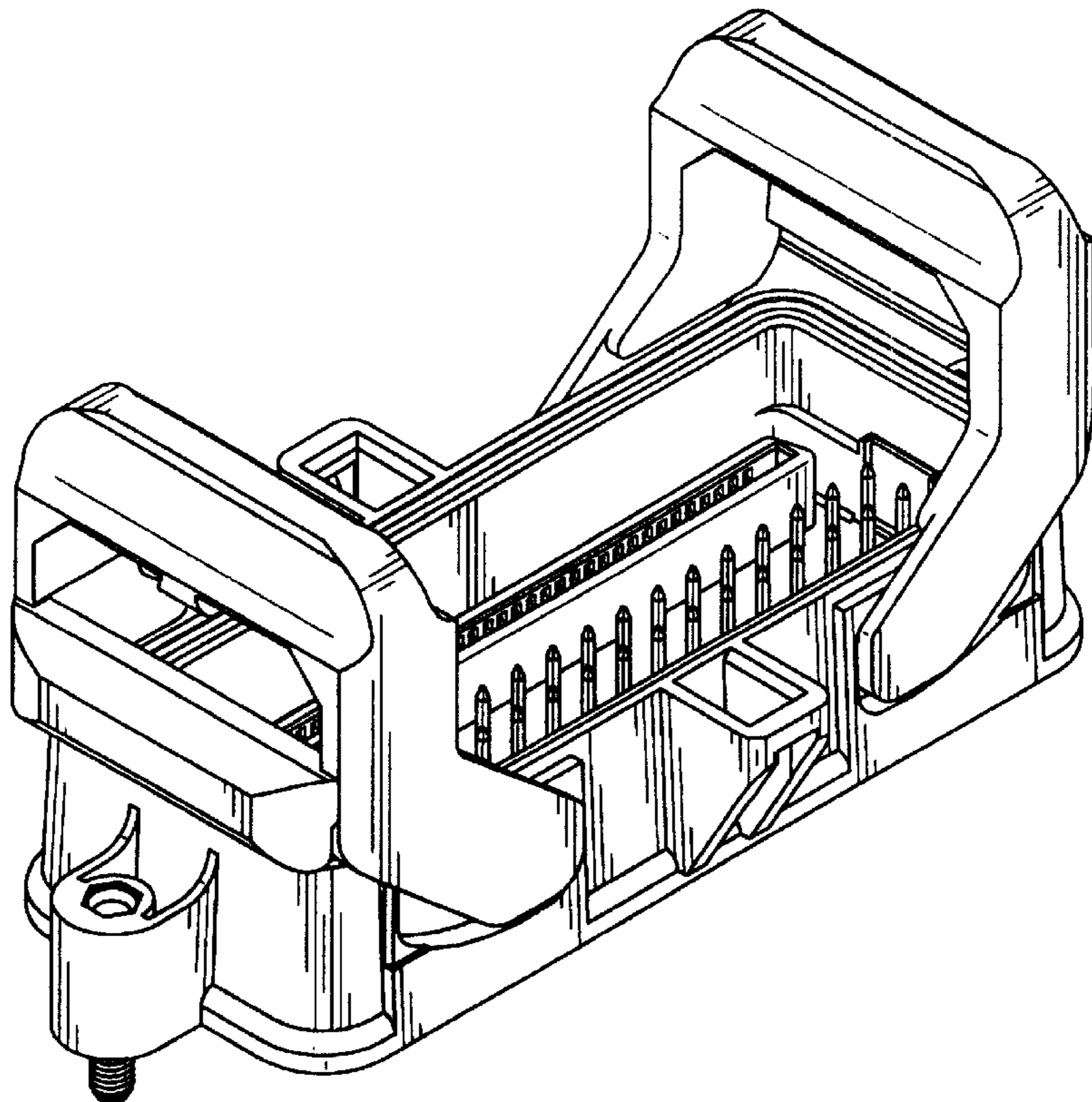
FIG. 11 is a left side elevational view thereof;

FIG. 12 is a right side elevational view thereof;

FIG. 13 is a top plan view thereof; and,

FIG. 14 is a bottom plan view thereof.

**1 Claim, 14 Drawing Sheets**



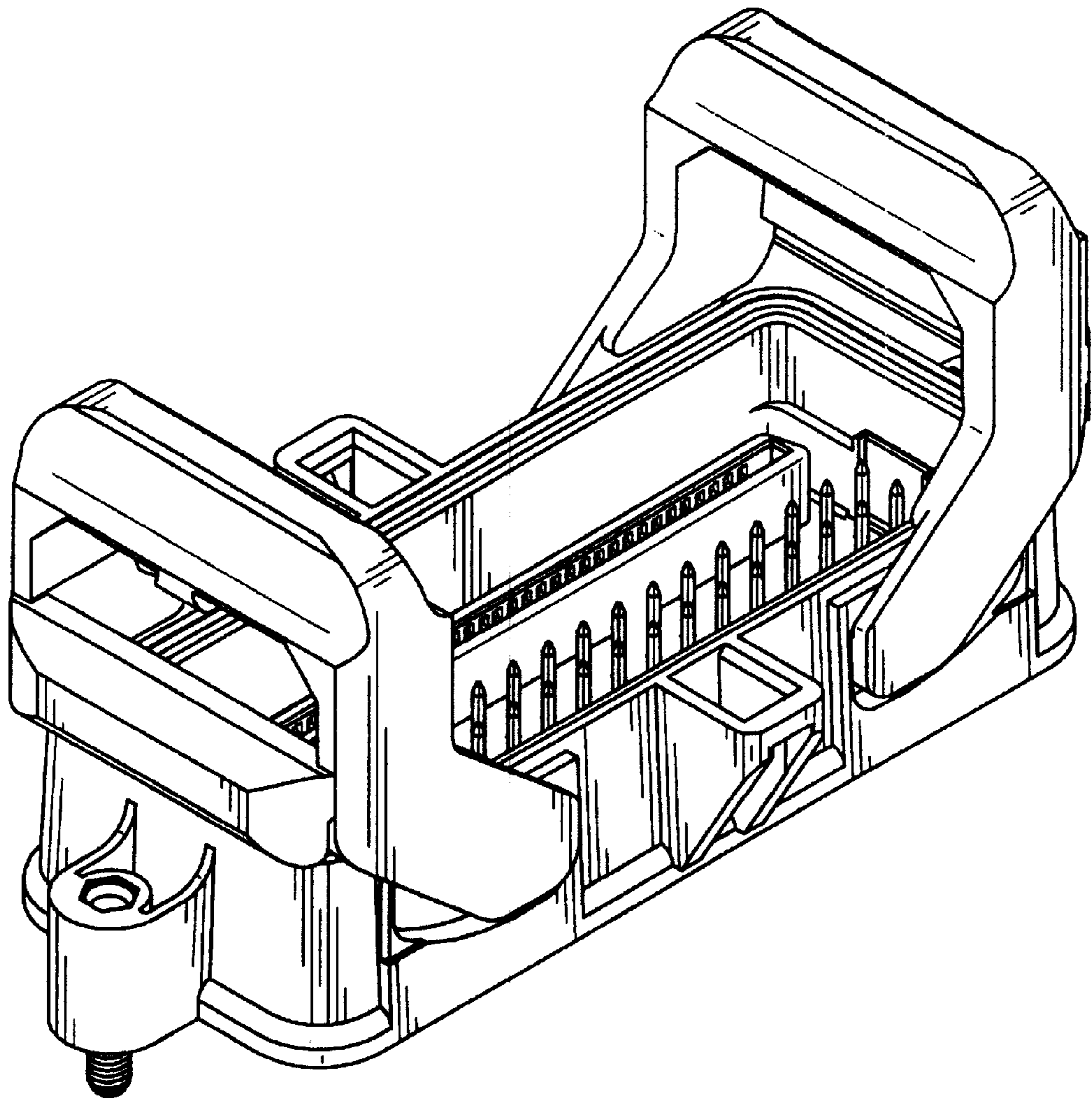


FIG. 1

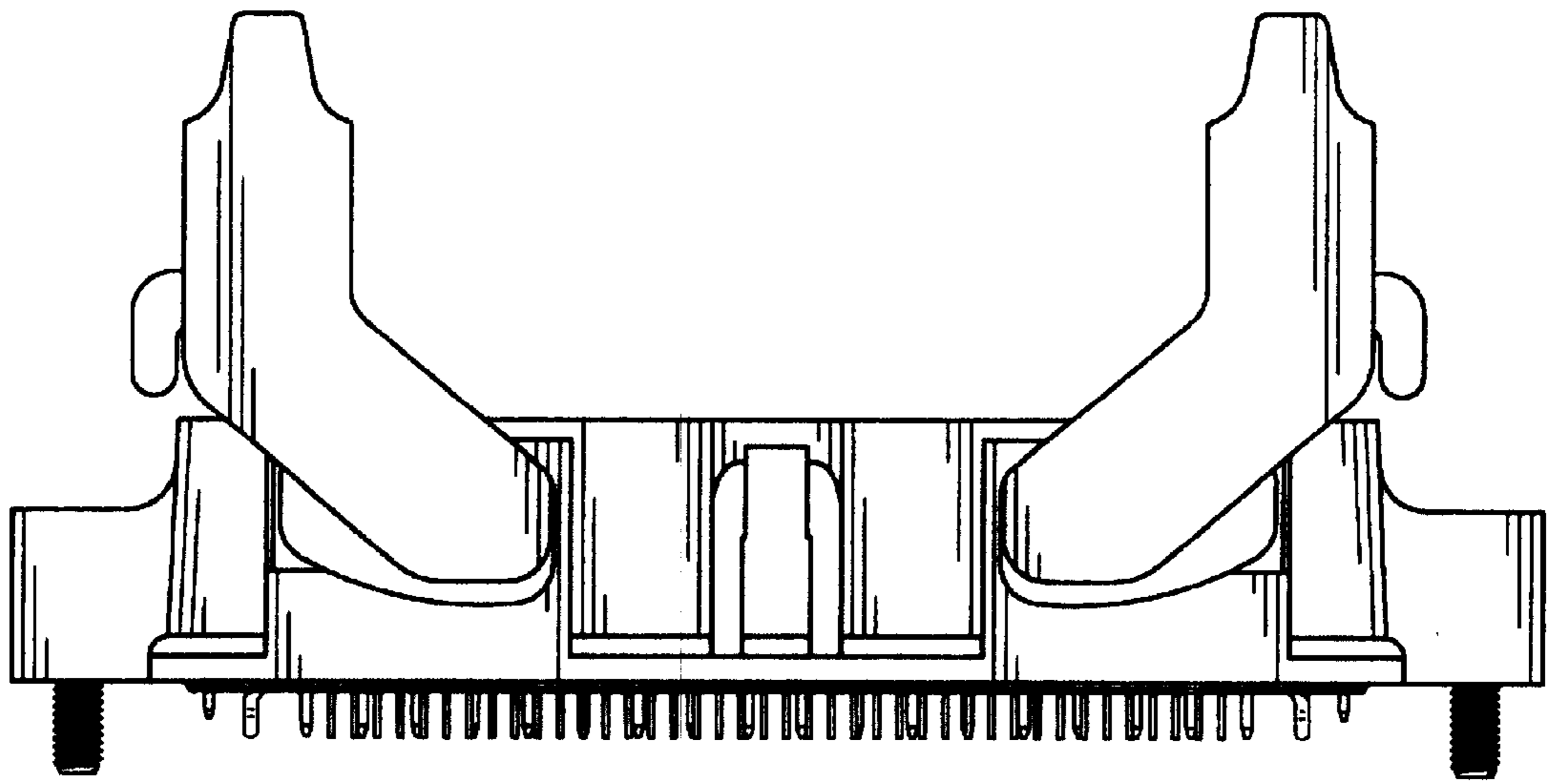


FIG. 2

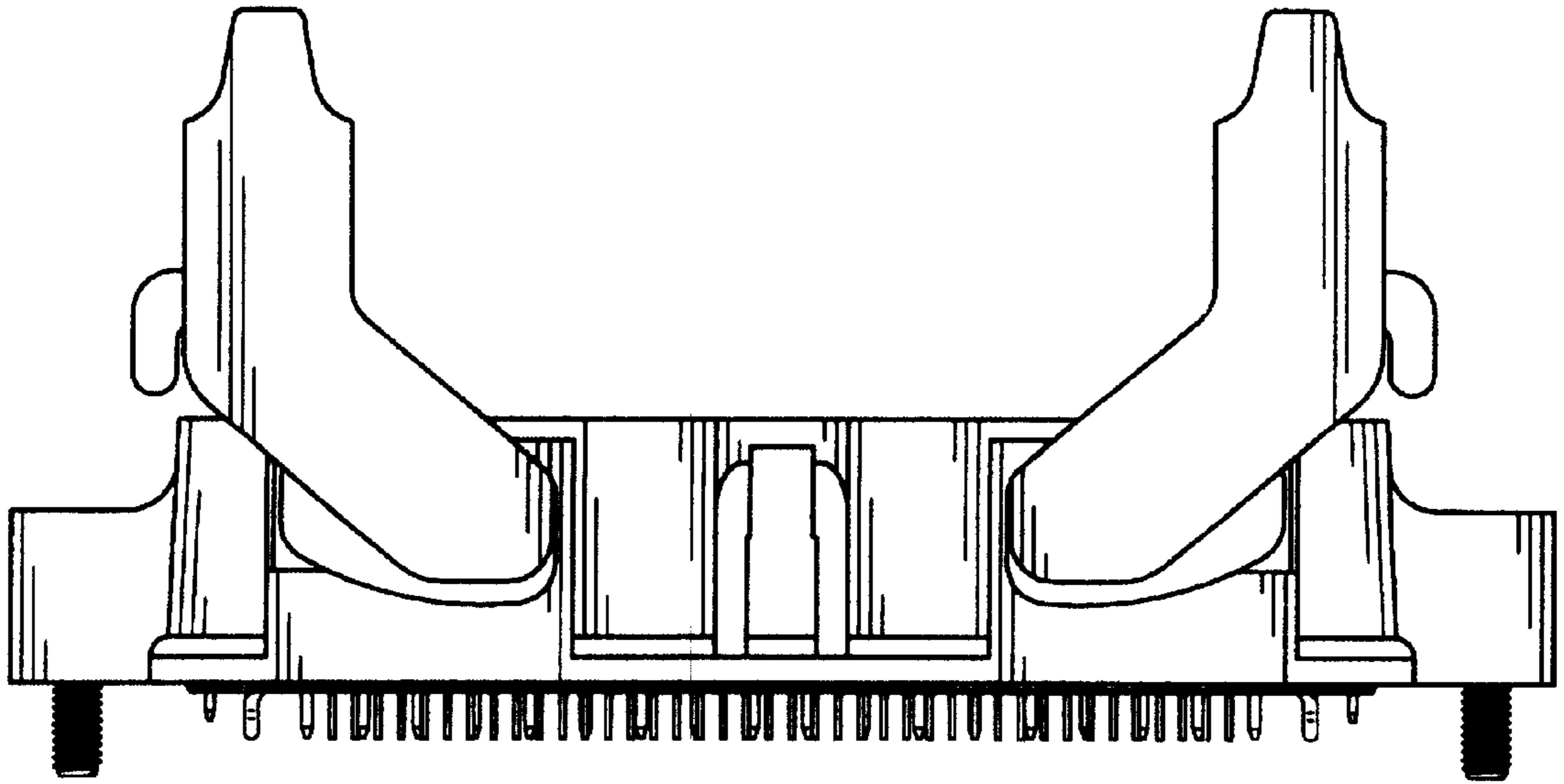


FIG. 3

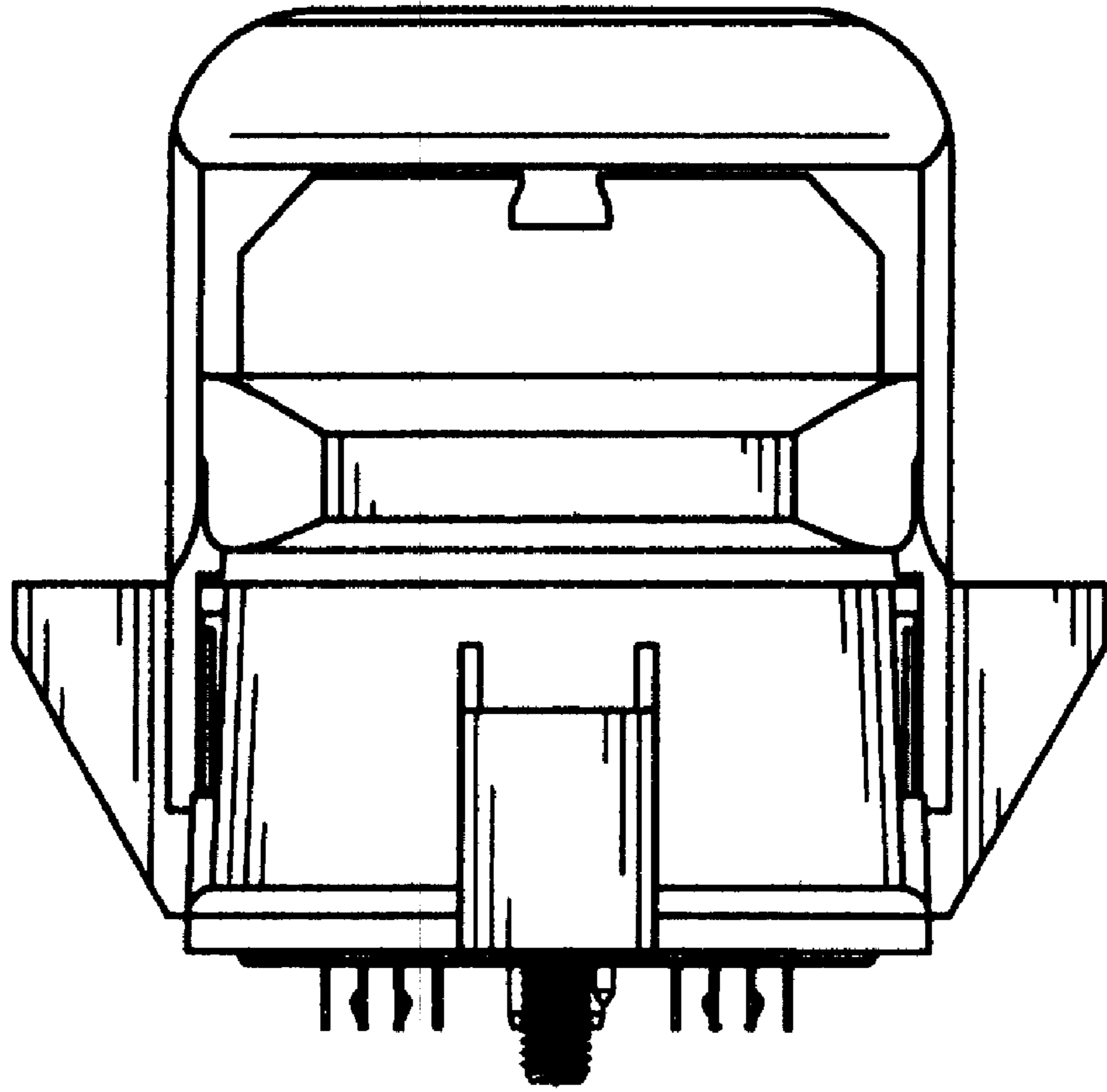


FIG. 4

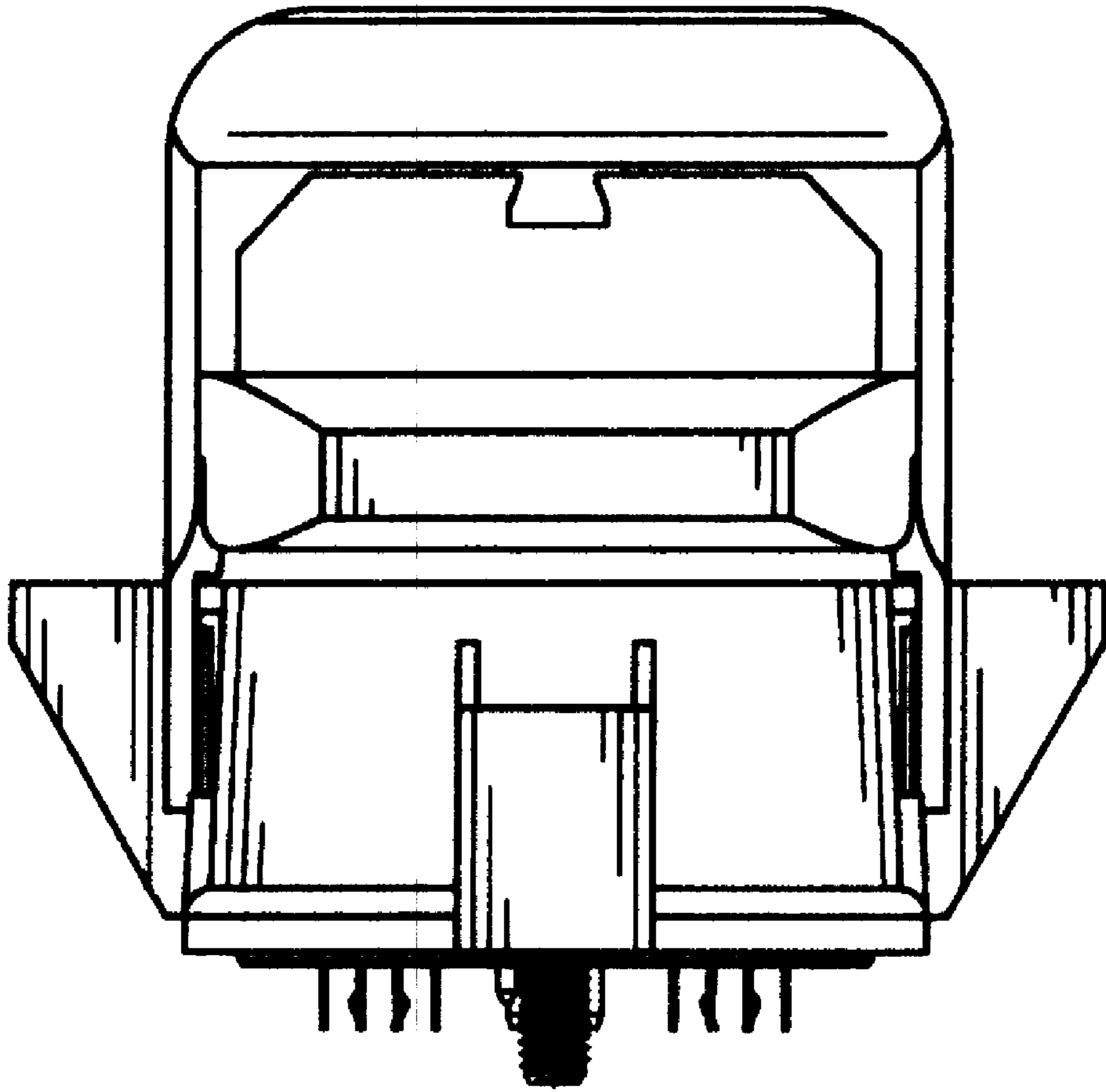


FIG. 5

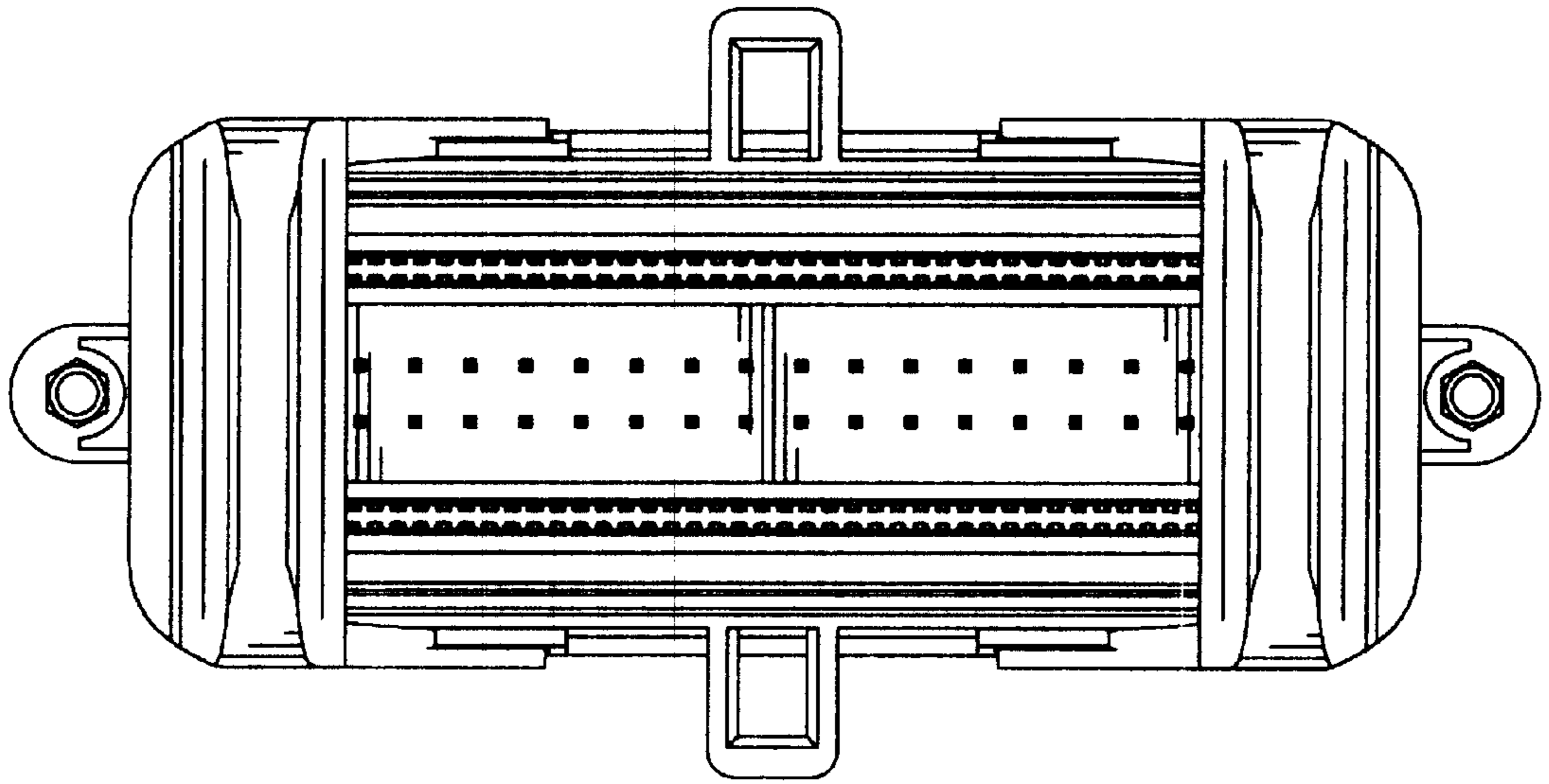


FIG. 6

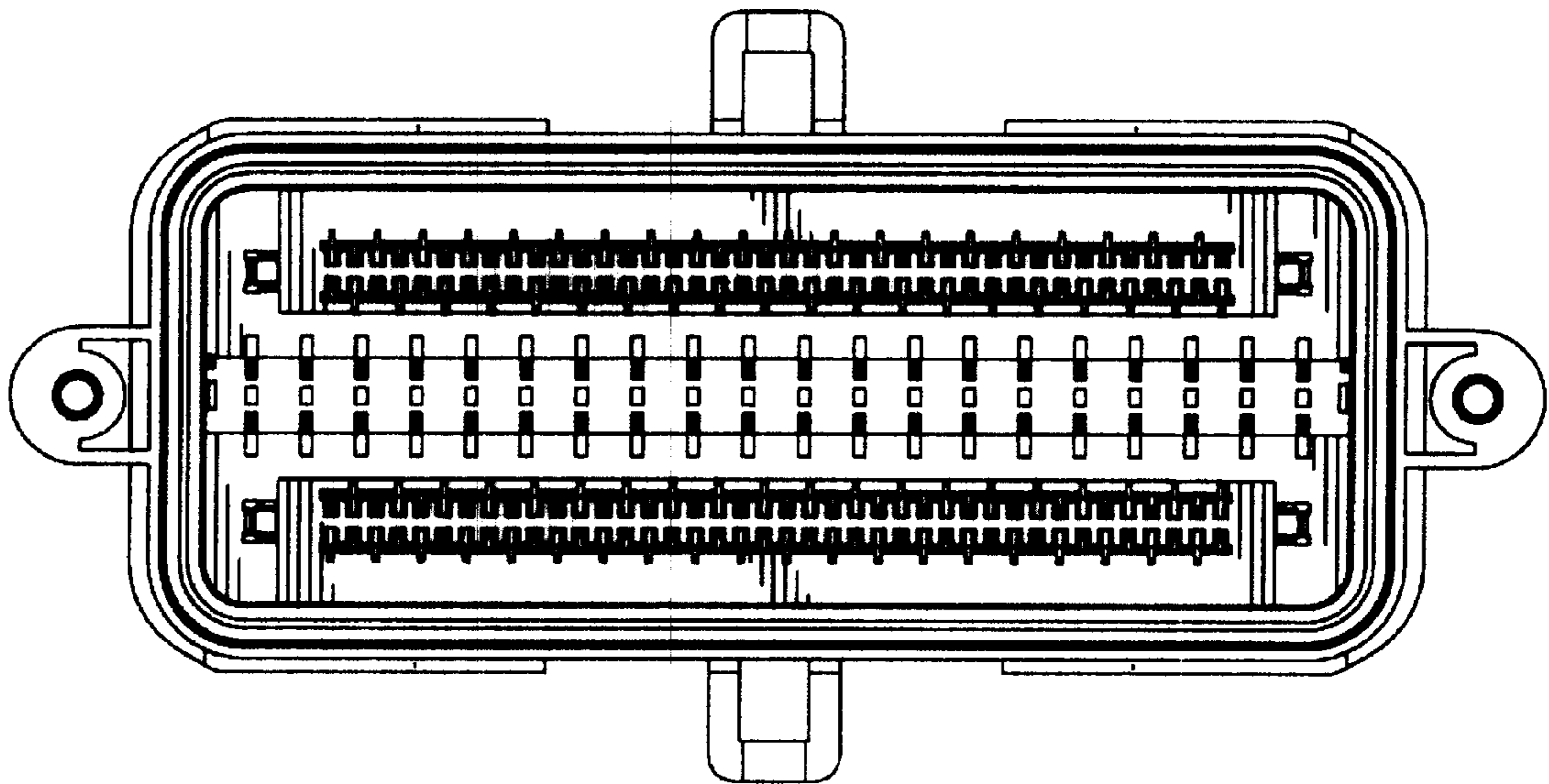


FIG. 7



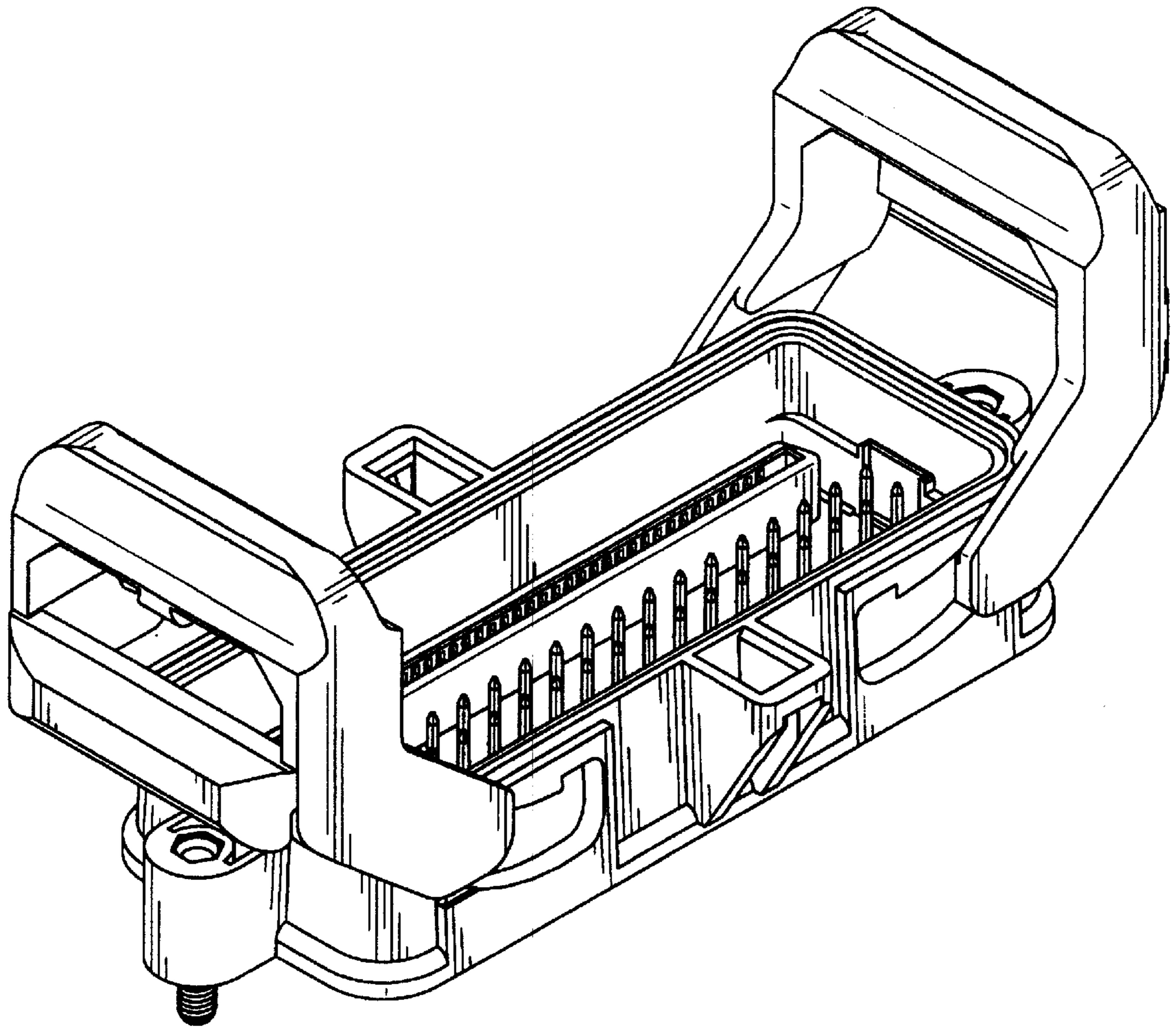


FIG. 8

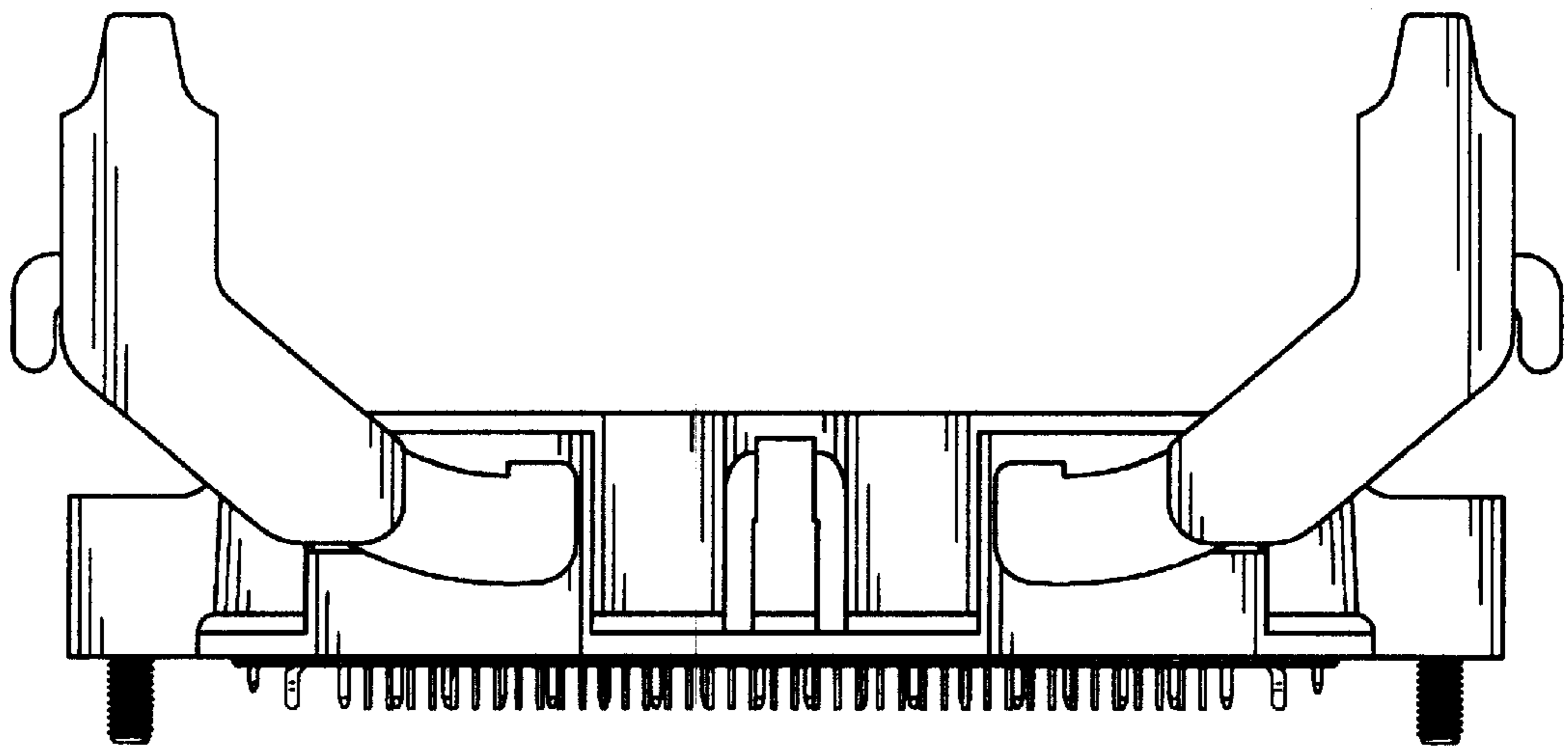


FIG. 9

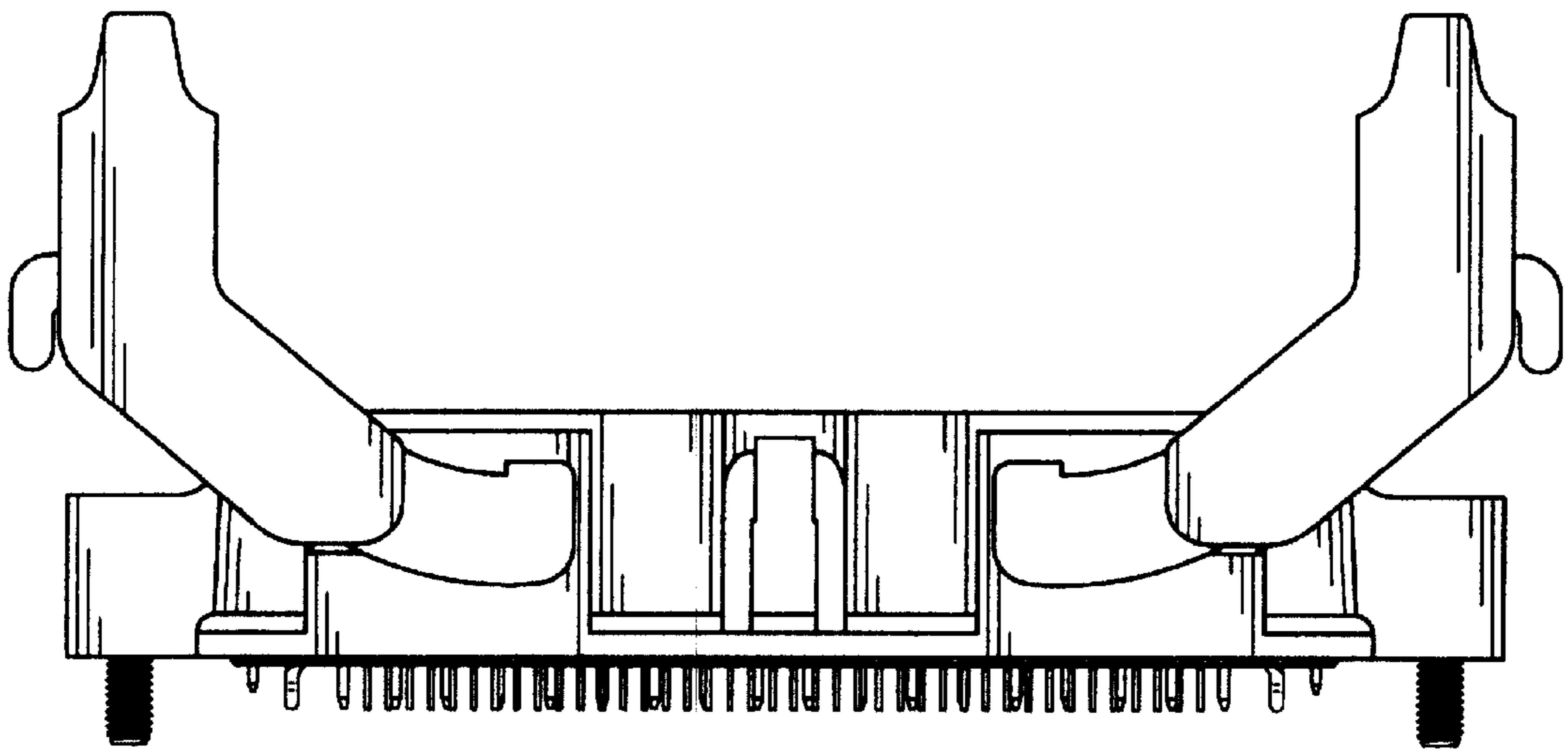


FIG. 10

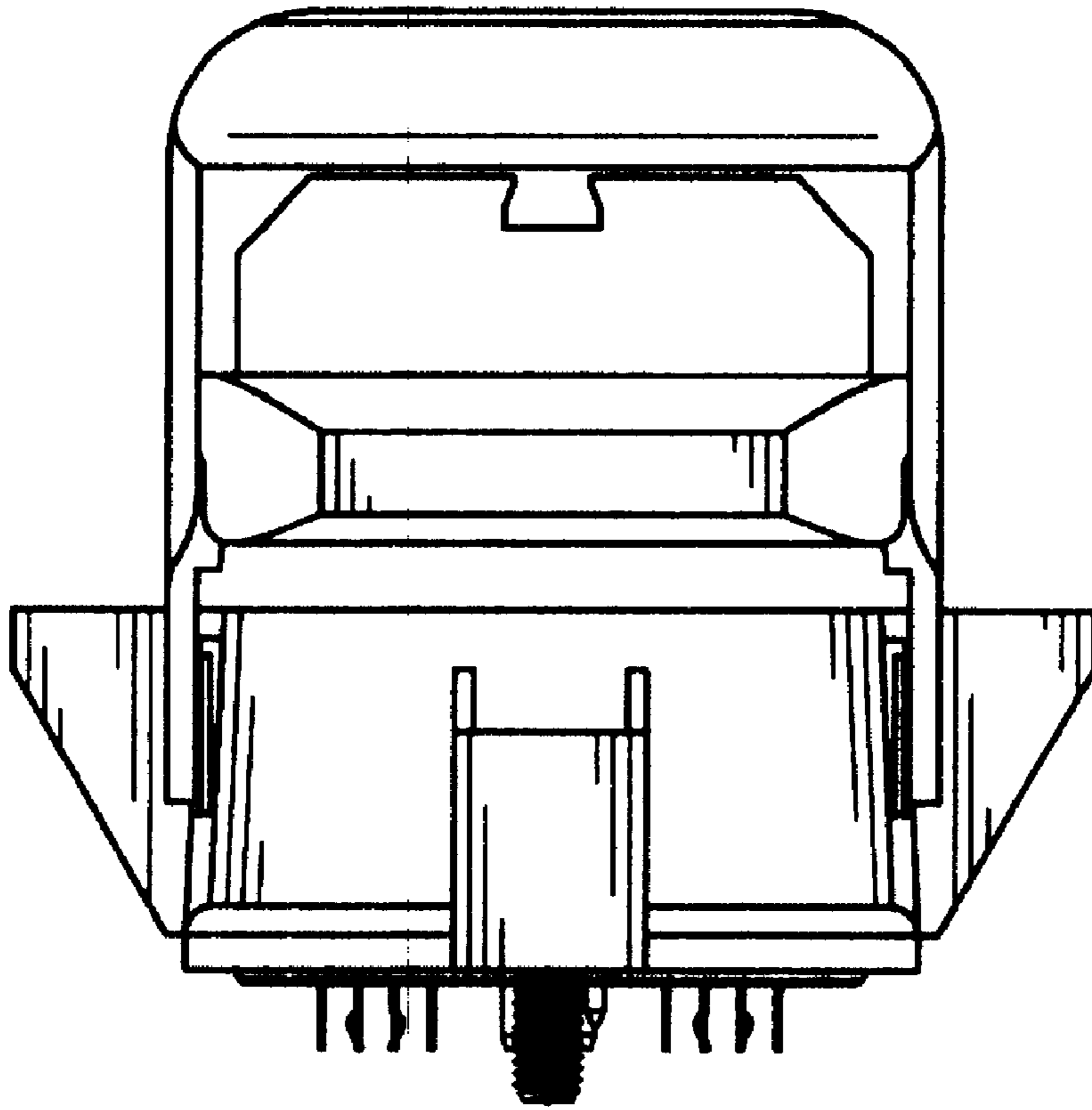


FIG. 11

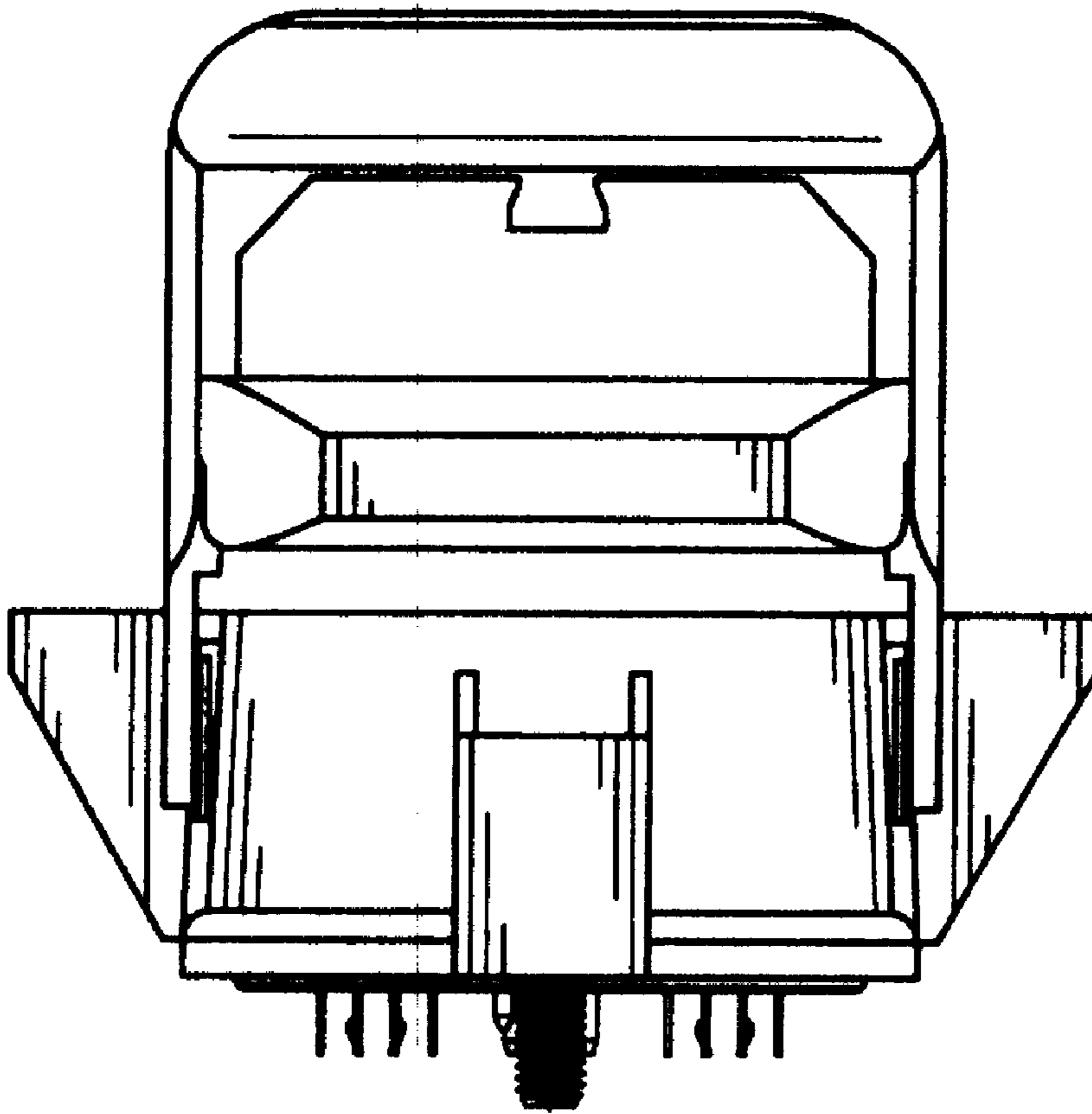


FIG. 12

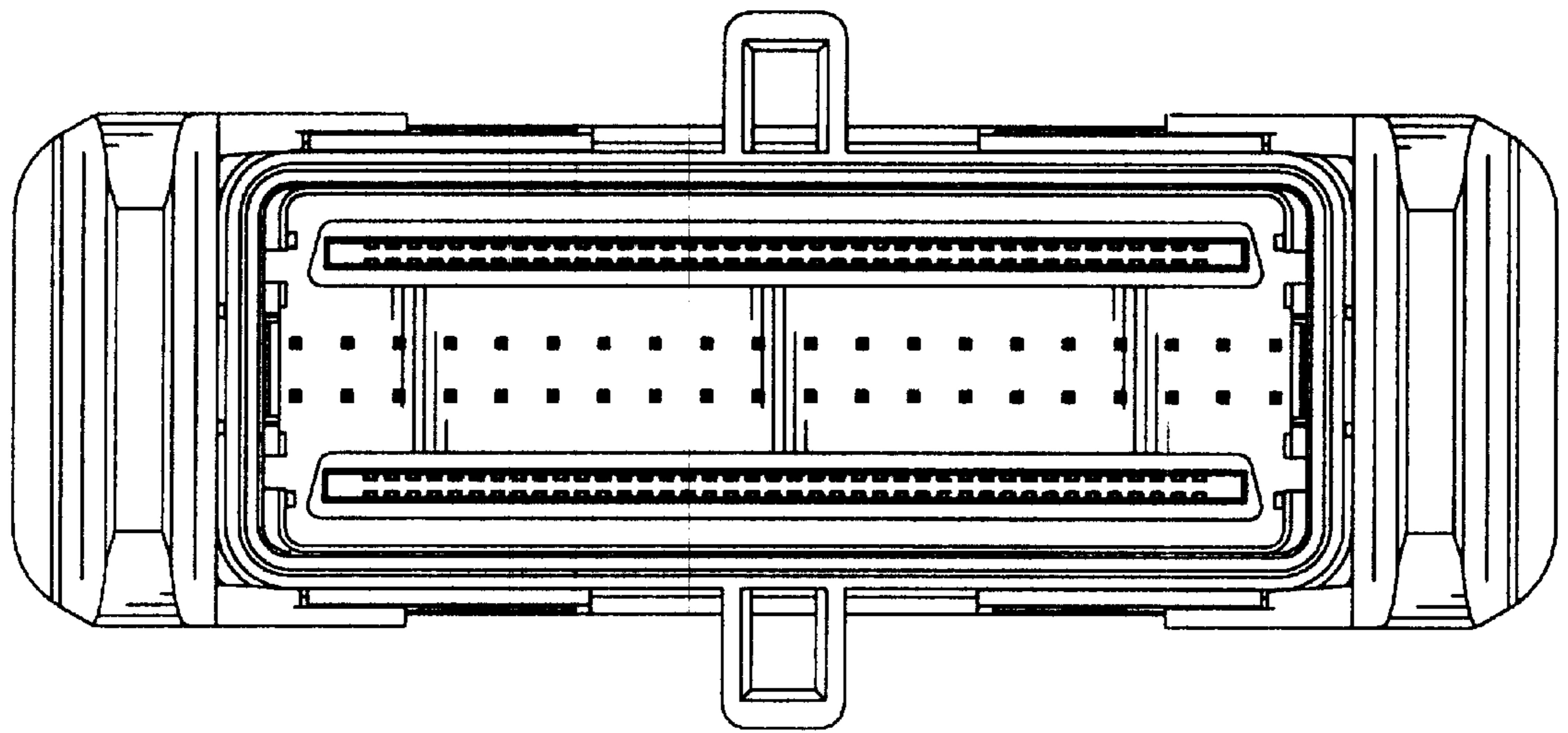


FIG. 13

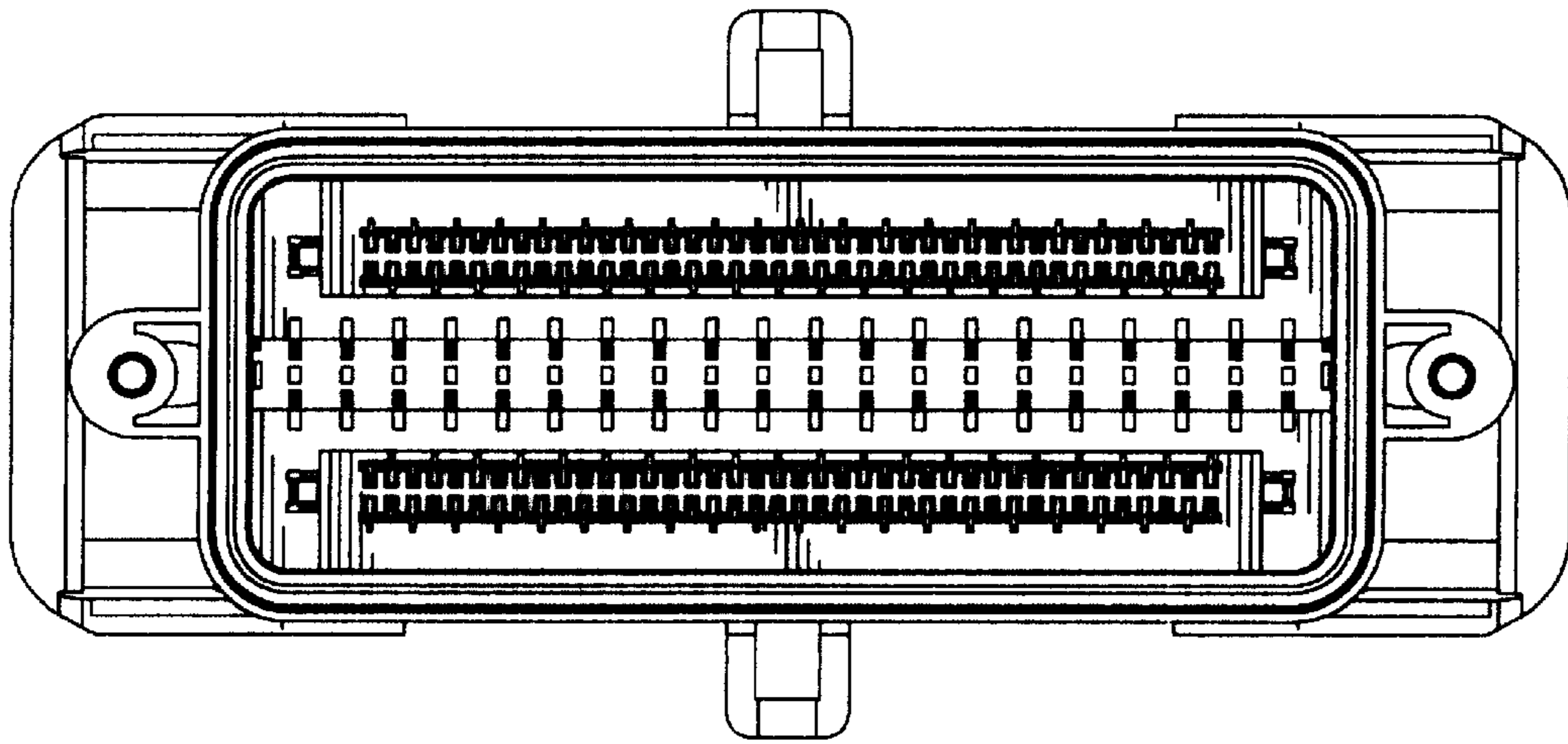


FIG. 14