



US00D473848S

(12) **United States Design Patent**
Zheng et al.

(10) **Patent No.:** **US D473,848 S**

(45) **Date of Patent:** **** Apr. 29, 2003**

(54) **ELECTRICAL CABLE CONNECTOR ASSEMBLY**

5,937,950 A * 8/1999 Adams et al. 439/502 X
D422,968 S * 4/2000 Tsai et al. D13/147
D449,275 S * 10/2001 Goto D13/147

(75) Inventors: **Ming-Dong Zheng**, Kunsan (CN);
Xue-Chao Wang, Kunsan (CN)

* cited by examiner

(73) Assignee: **Hon Hai Precision Ind. Co., Ltd.**,
Taipei Hsien (TW)

Primary Examiner—Joel Sincavage

(74) *Attorney, Agent, or Firm*—Wei Te Chung

(**) Term: **14 Years**

(57) **CLAIM**

The ornamental design for an electrical cable connector assembly, as shown and described.

(21) Appl. No.: **29/160,381**

DESCRIPTION

(22) Filed: **May 8, 2002**

(51) **LOC (7) Cl.** **13-03**

(52) **U.S. Cl.** **D13/147**

(58) **Field of Search** D13/147; 439/502,
439/540.1, 623, 638; 174/174 A

FIG. 1 is a front, top and right side perspective view of an electrical cable connector assembly showing our new design;

FIG. 2 is a front elevational view thereof;

FIG. 3 is a rear elevational view thereof;

FIG. 4 is a left side elevational view thereof;

FIG. 5 is a right side elevational view thereof;

FIG. 6 is a top plan view thereof; and,

FIG. 7 is a bottom plan view thereof.

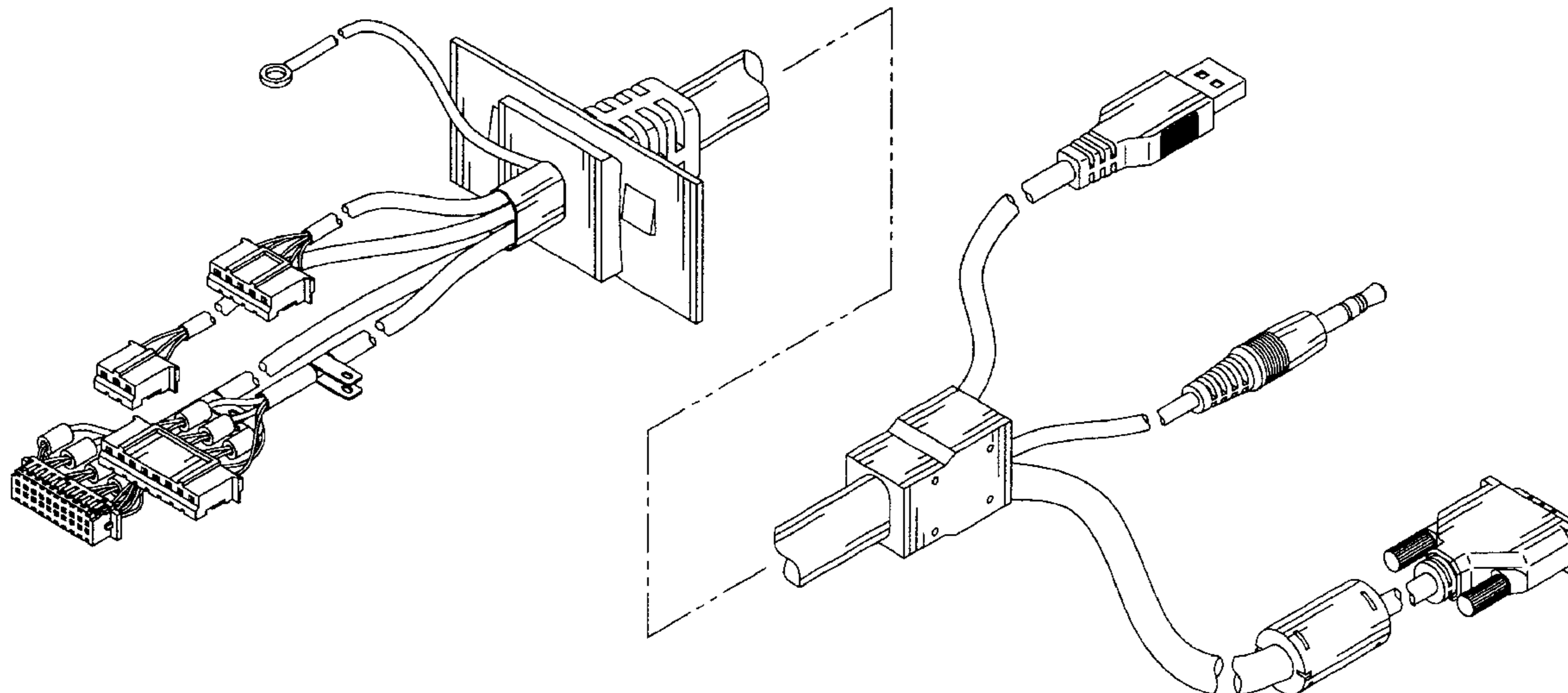
Various cables are shown broken away throughout the drawing figures because specific lengths of those cables form no part of the claimed design.

(56) **References Cited**

U.S. PATENT DOCUMENTS

4,577,917 A * 3/1986 Nashimoto et al. 439/638 X
4,815,984 A * 3/1989 Sugiyama et al. 174/72 A X
4,941,845 A * 7/1990 Eppley et al. 439/502 X
5,203,720 A * 4/1993 Zini 439/502
5,547,399 A * 8/1996 Naghi et al. 439/623
5,698,821 A * 12/1997 Herman 174/72 R

1 Claim, 7 Drawing Sheets



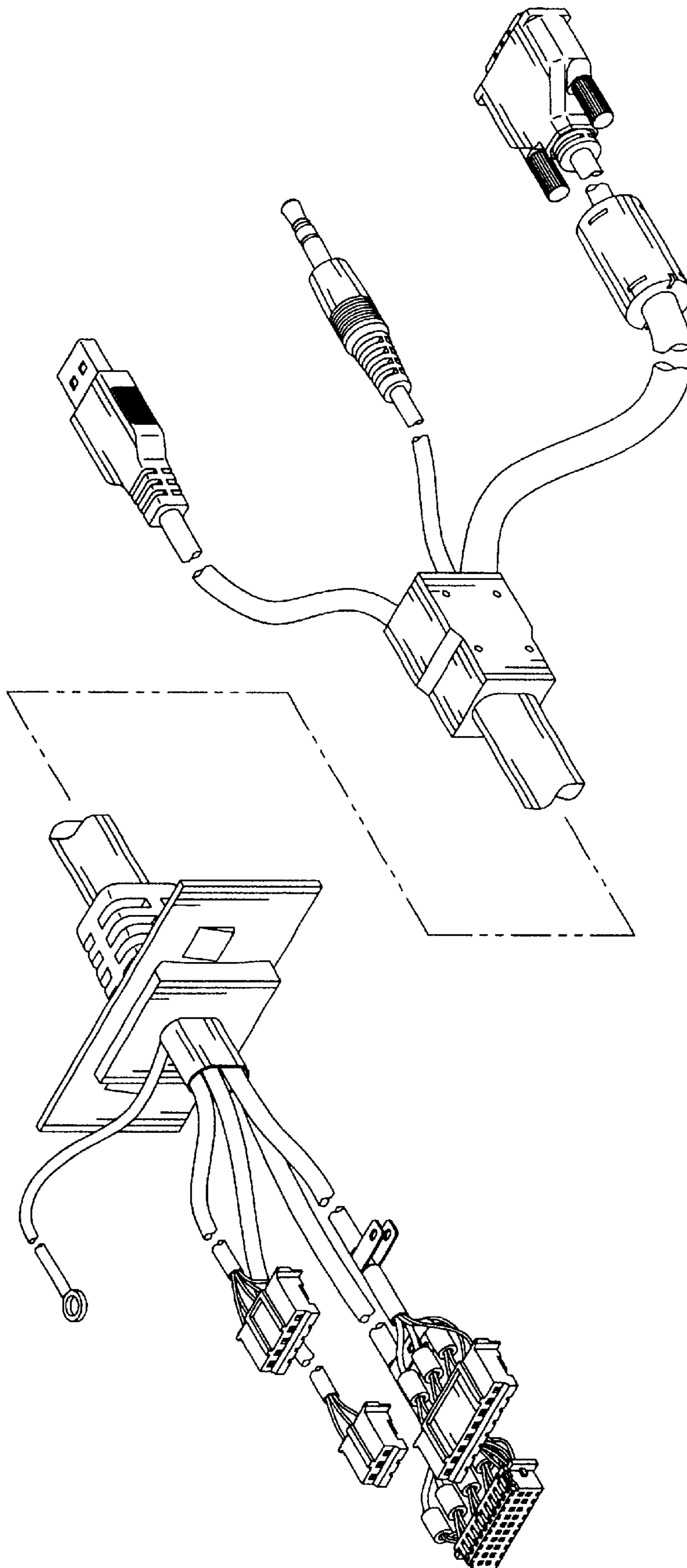


FIG. 1

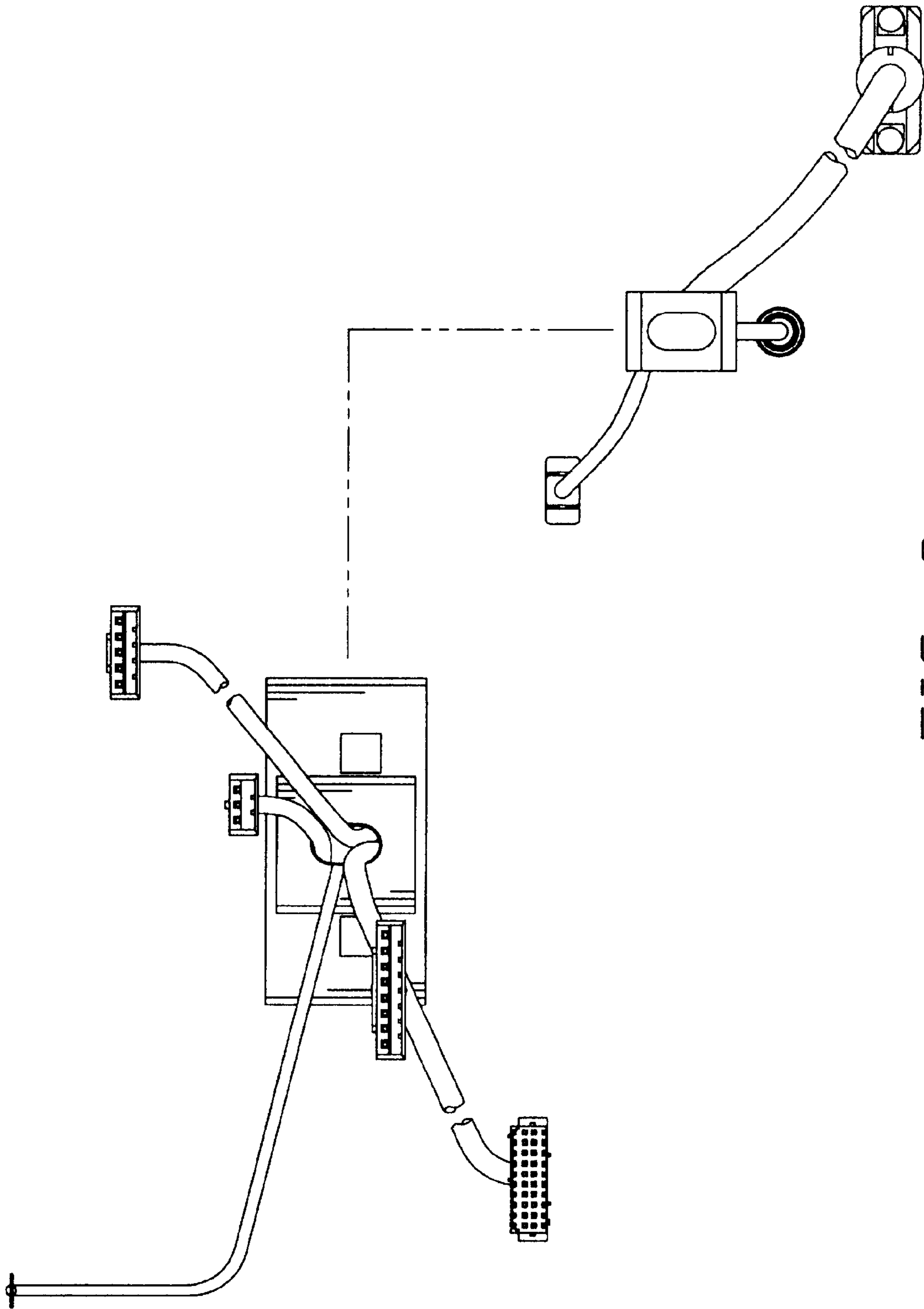


FIG. 2

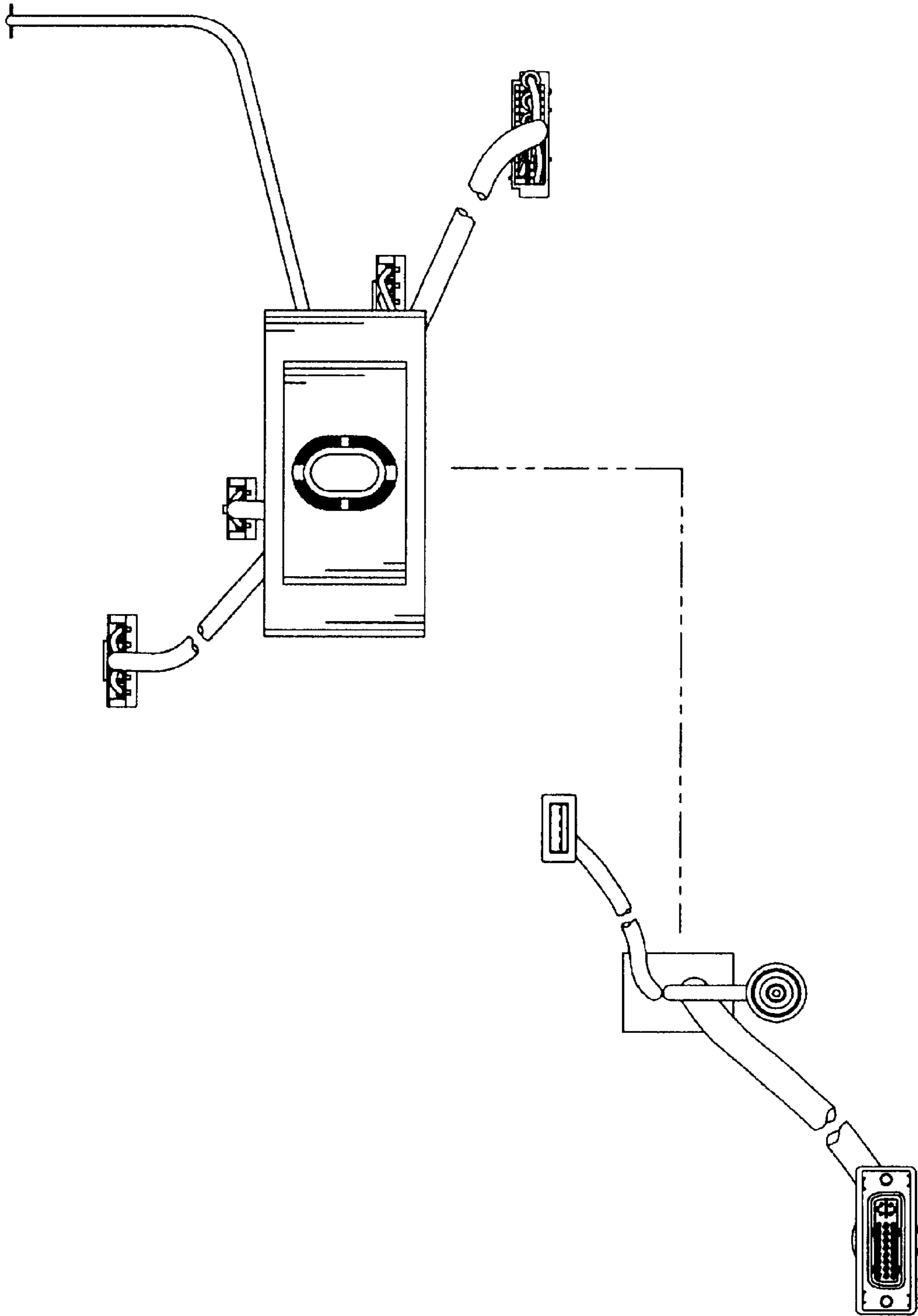


FIG. 3

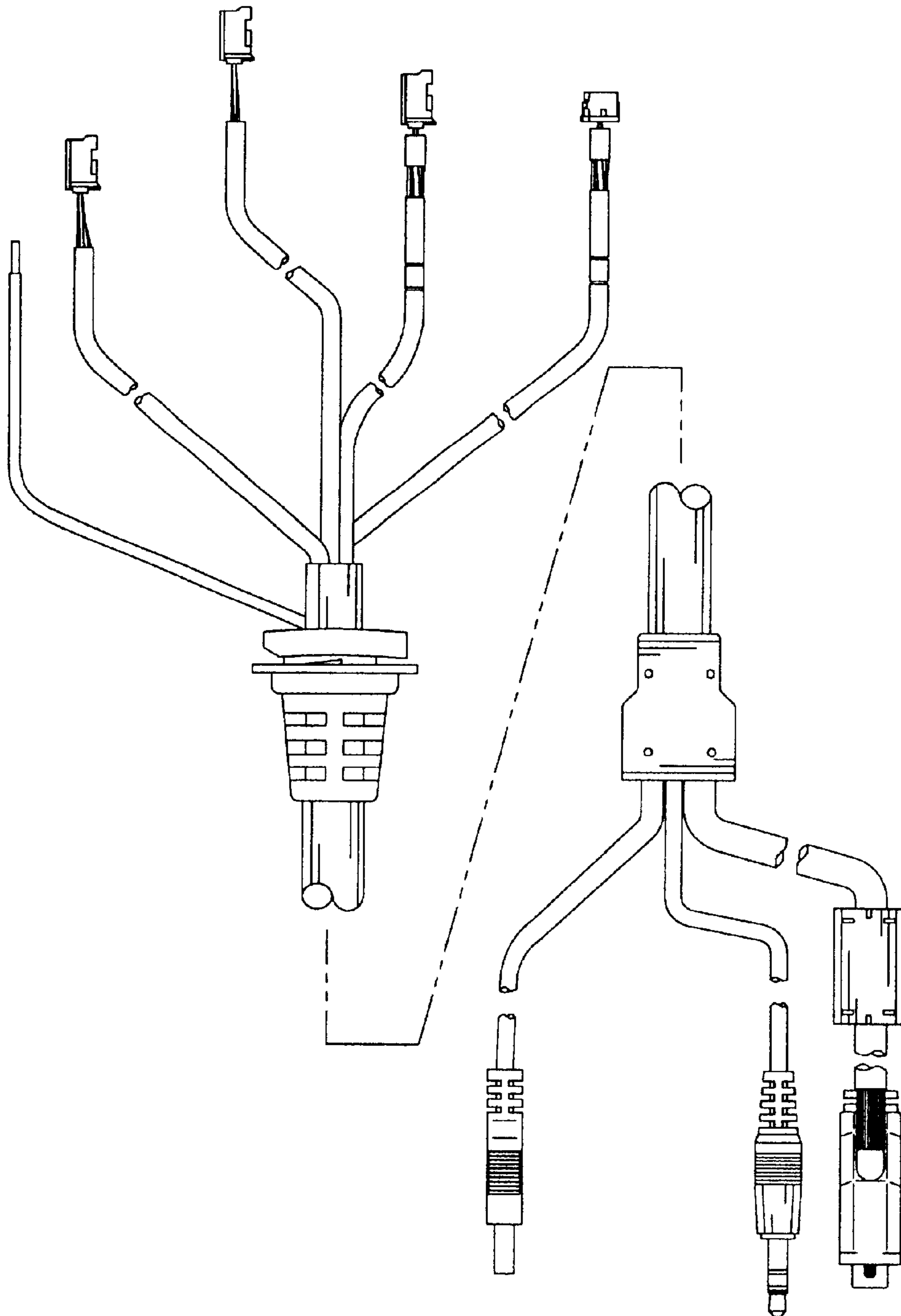


FIG. 4

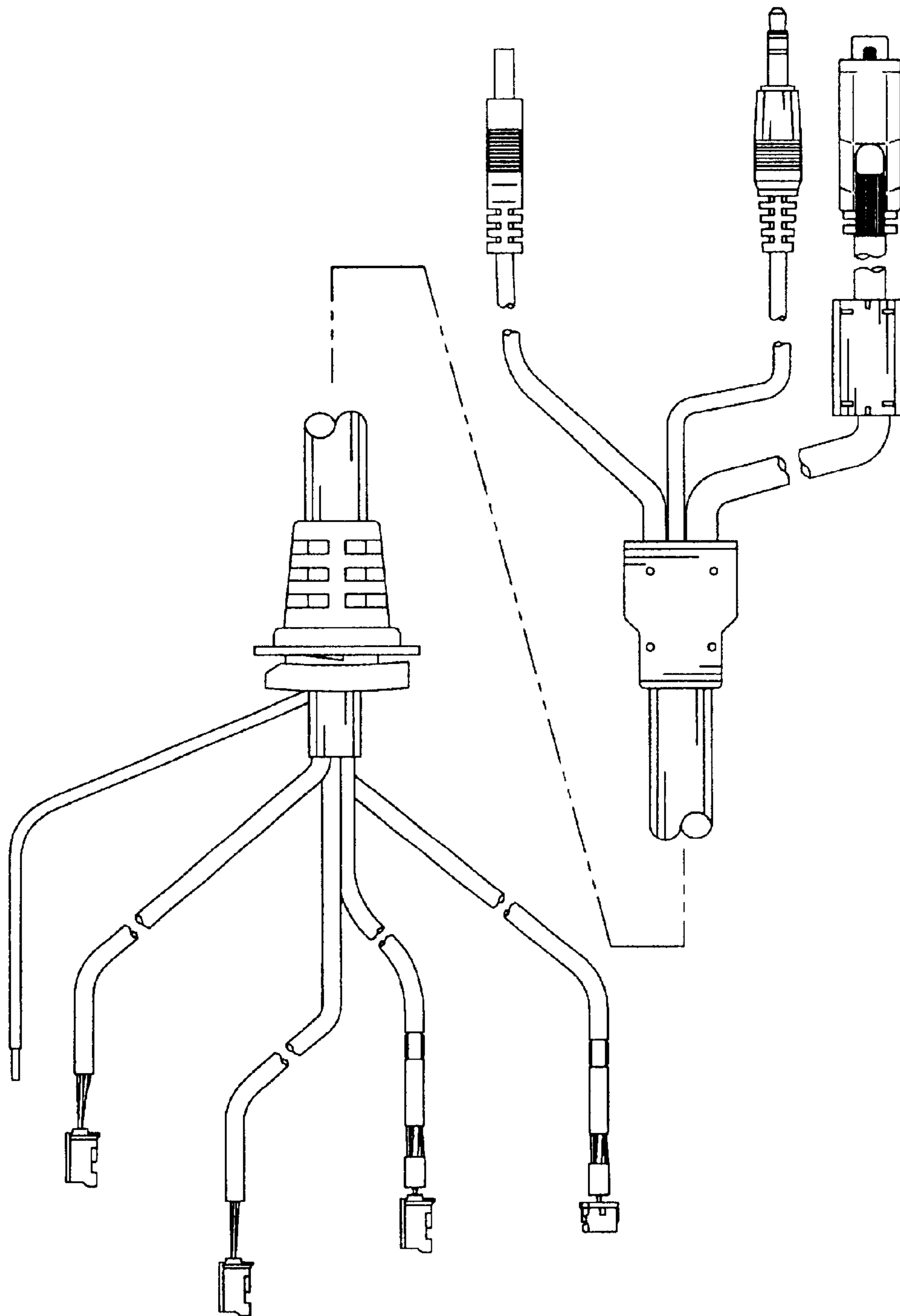


FIG. 5

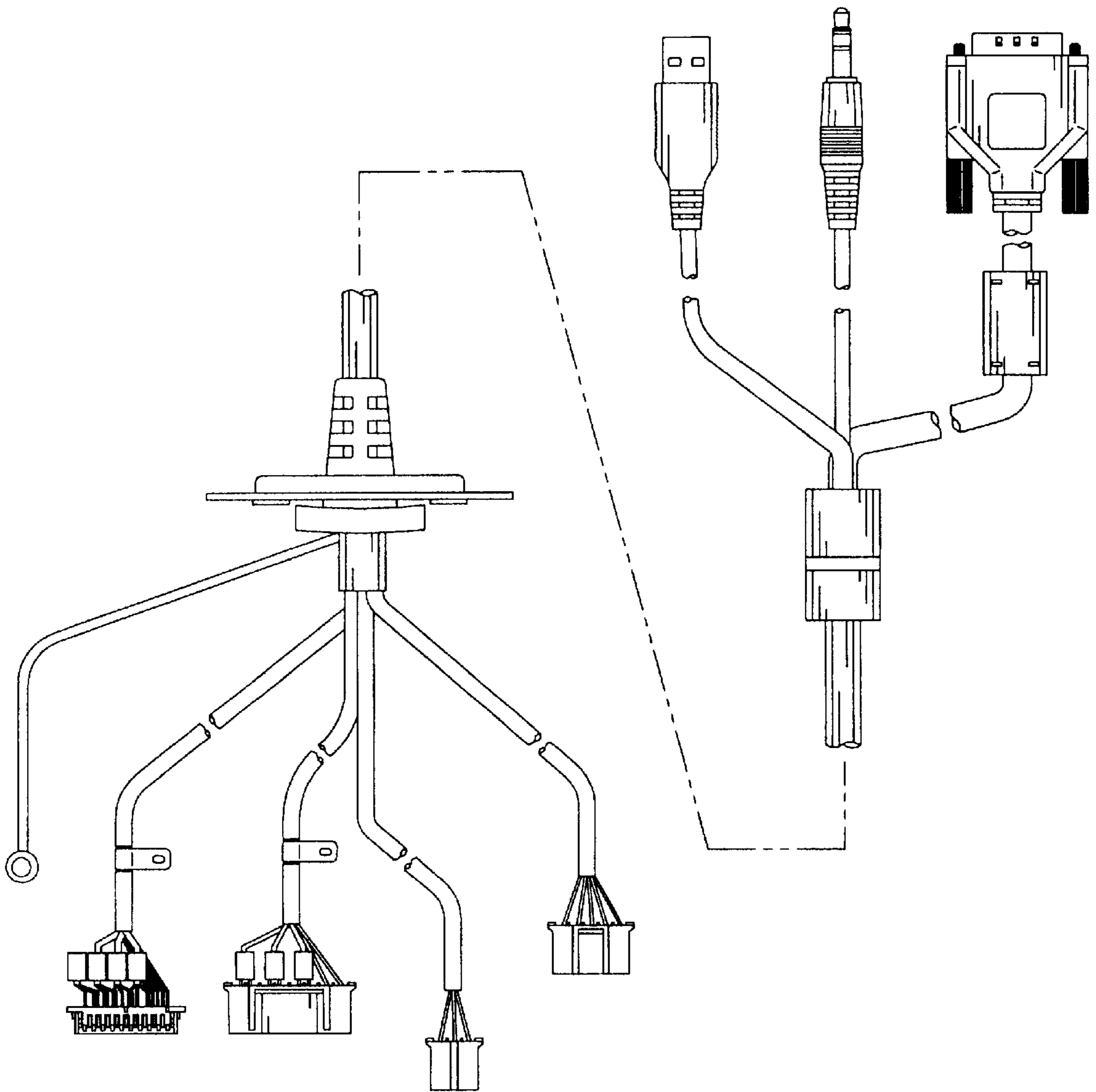


FIG. 6

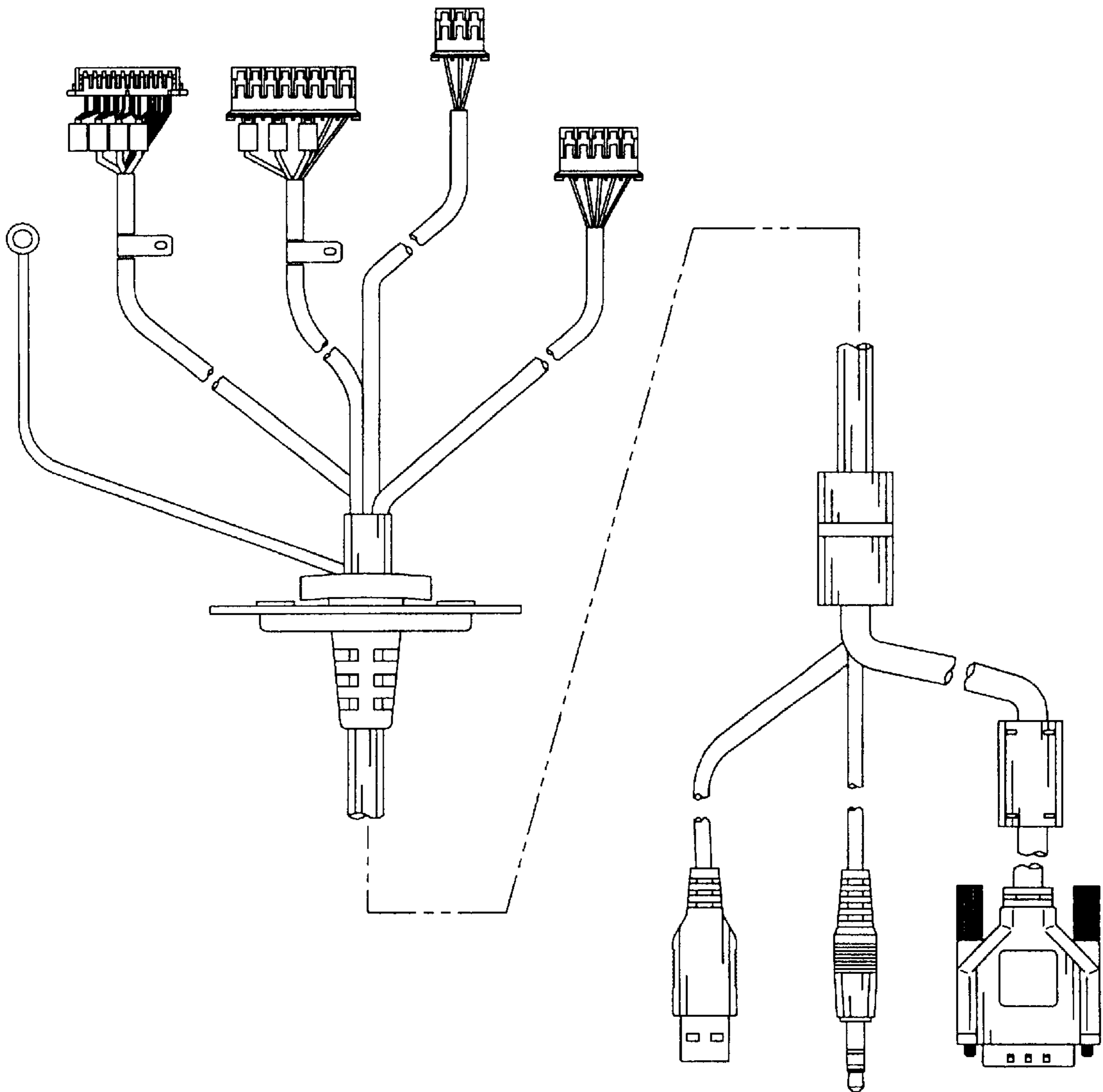


FIG. 7