



US00D473845S

(12) **United States Design Patent**
Bender et al.

(10) **Patent No.:** **US D473,845 S**

(45) **Date of Patent:** **** Apr. 29, 2003**

(54) **ELECTRICAL PORT AND ADAPTER**
(75) Inventors: **R. Kurt Bender**, Dripping Springs, TX (US); **Jonathan D. Williams**, Austin, TX (US); **Douglas D. Myron**, Austin, TX (US); **Robert A. Martin**, Austin, TX (US)

5,131,867 A * 7/1992 Pelozza et al. 439/680 X
5,342,221 A * 8/1994 Peterson 439/677
5,542,859 A * 8/1996 Ison et al. 439/536
5,547,394 A * 8/1996 Comstock 439/557
5,651,697 A * 7/1997 Cinquegrani et al. 439/557
5,861,689 A * 1/1999 Snider et al. 310/71
6,000,966 A * 12/1999 Dechanteloup et al. 439/595
6,024,594 A * 2/2000 Self, Jr. et al. 439/358

(73) Assignee: **Hubbell Incorporated**, Orange, CT (US)

* cited by examiner

(**) Term: **14 Years**

Primary Examiner—Joel Sincavage
(74) *Attorney, Agent, or Firm*—David D. Bahler

(21) Appl. No.: **29/161,576**

(57) **CLAIM**

(22) Filed: **May 30, 2002**

The ornamental design for an electrical port and adapter, as shown and described.

(51) **LOC (7) Cl.** **13-03**

(52) **U.S. Cl.** **D13/133**

(58) **Field of Search** D13/133; 439/678, 439/679, 680

DESCRIPTION

(56) **References Cited**

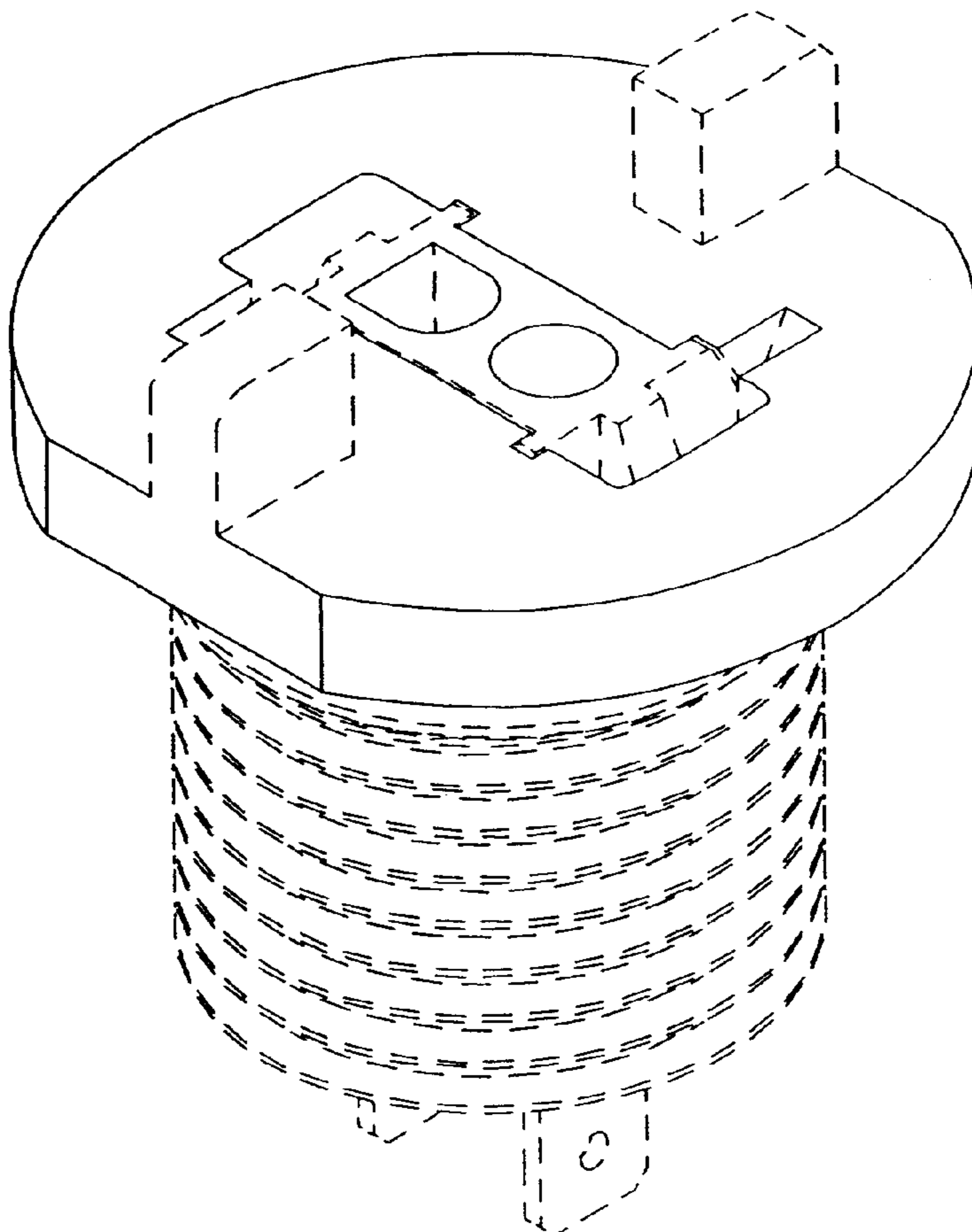
FIG. 1 is a perspective view of the top, right, and front views of our design; and, FIG. 2 is a perspective view of the bottom, left, and rear views of our design.

U.S. PATENT DOCUMENTS

4,606,596 A * 8/1986 Whiting et al. 439/465
4,708,662 A * 11/1987 Klein 439/353
4,834,673 A * 5/1989 Beinhour et al. 439/422

The dotted lines shown in the figures represent environmental structure and form no part of the claimed design.

1 Claim, 1 Drawing Sheet



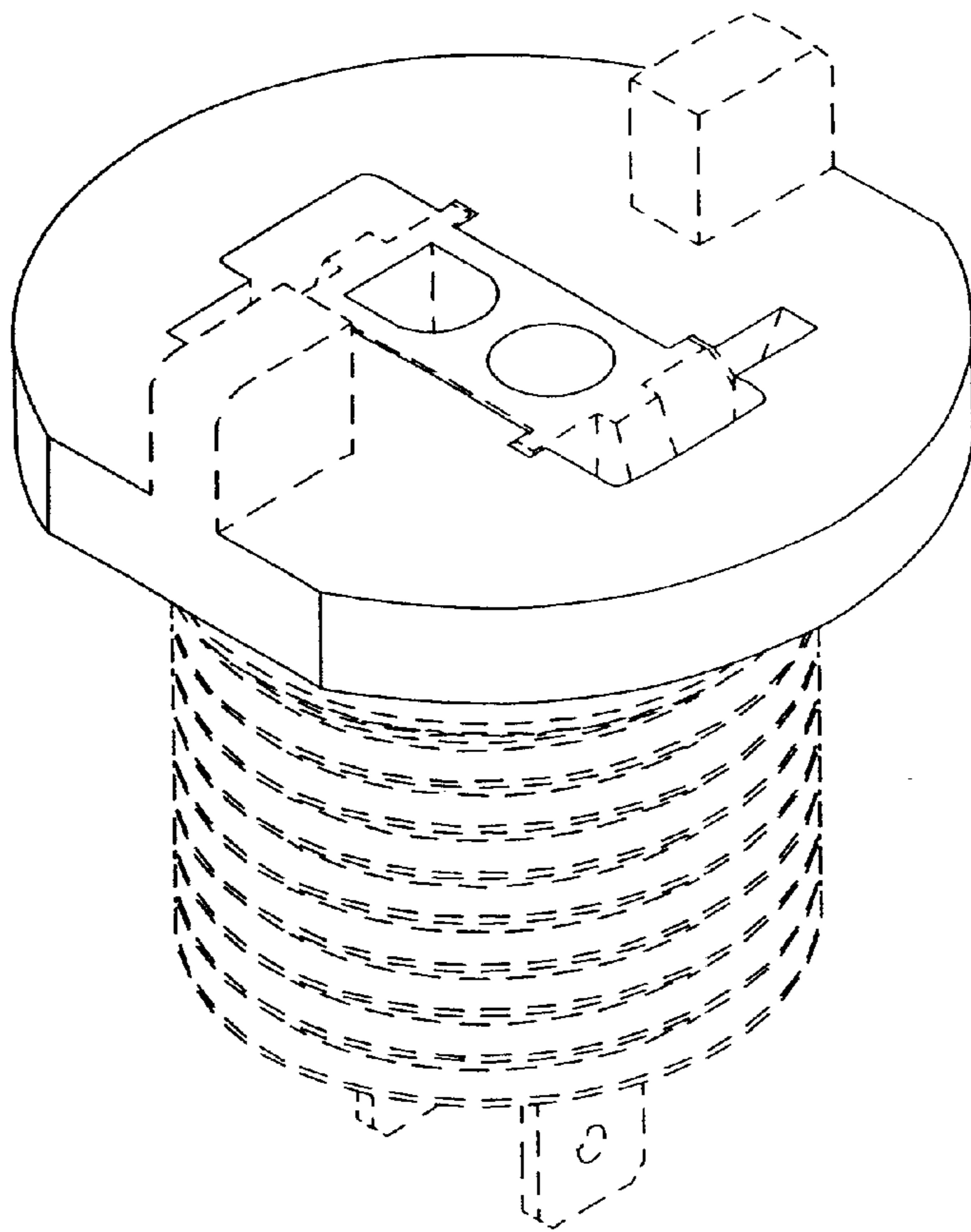


FIG. 1

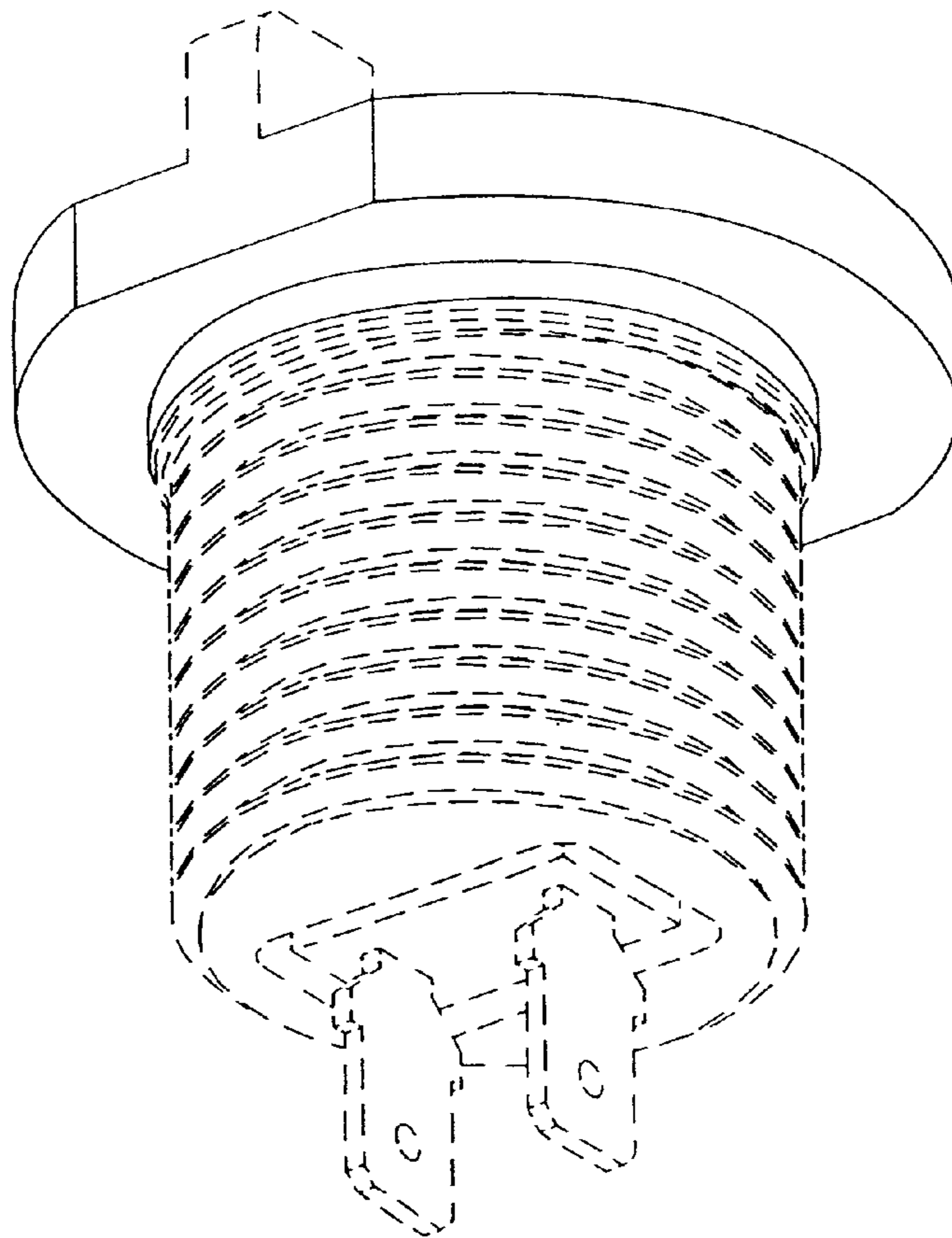


FIG. 2