



US00D473844S

(12) **United States Design Patent**
Bender et al.

(10) **Patent No.: US D473,844 S**

(45) **Date of Patent: ** Apr. 29, 2003**

(54) **PLUG FOR ELECTRICAL PORT**

(75) Inventors: **R. Kurt Bender**, Dripping Springs, TX (US); **Jonathan D. Williams**, Austin, TX (US); **Douglas D. Myron**, Austin, TX (US); **Robert A. Martin**, Austin, TX (US)

4,834,673 A	*	5/1989	Beinhaur et al.	439/422
D316,399 S	*	4/1991	Wharton	D13/133
5,342,221 A	*	8/1994	Peterson	439/677
5,547,394 A	*	8/1996	Comstock	439/557
5,651,697 A	*	7/1997	Cinquegrani et al.	439/557
5,861,689 A	*	1/1999	Snider et al.	310/71
6,024,594 A	*	2/2000	Self, Jr. et al.	439/358
6,159,054 A	*	12/2000	Ko	439/680

(73) Assignee: **Hubbell Incorporated**, Orange, CT (US)

* cited by examiner

(**) Term: **14 Years**

Primary Examiner—Joel Sincavage

(74) *Attorney, Agent, or Firm*—David D. Bahler

(21) Appl. No.: **29/161,575**

(57) **CLAIM**

(22) Filed: **May 30, 2002**

The ornamental design for a plug for electrical port, as shown and described.

(51) **LOC (7) Cl.** **13-03**

DESCRIPTION

(52) **U.S. Cl.** **D13/133**

FIG. 1 is a perspective view of the top, right, and front views of our design; and,

(58) **Field of Search** D13/133; 439/678, 439/679, 680

FIG. 2 is a perspective view of the bottom, left, and rear views of our design.

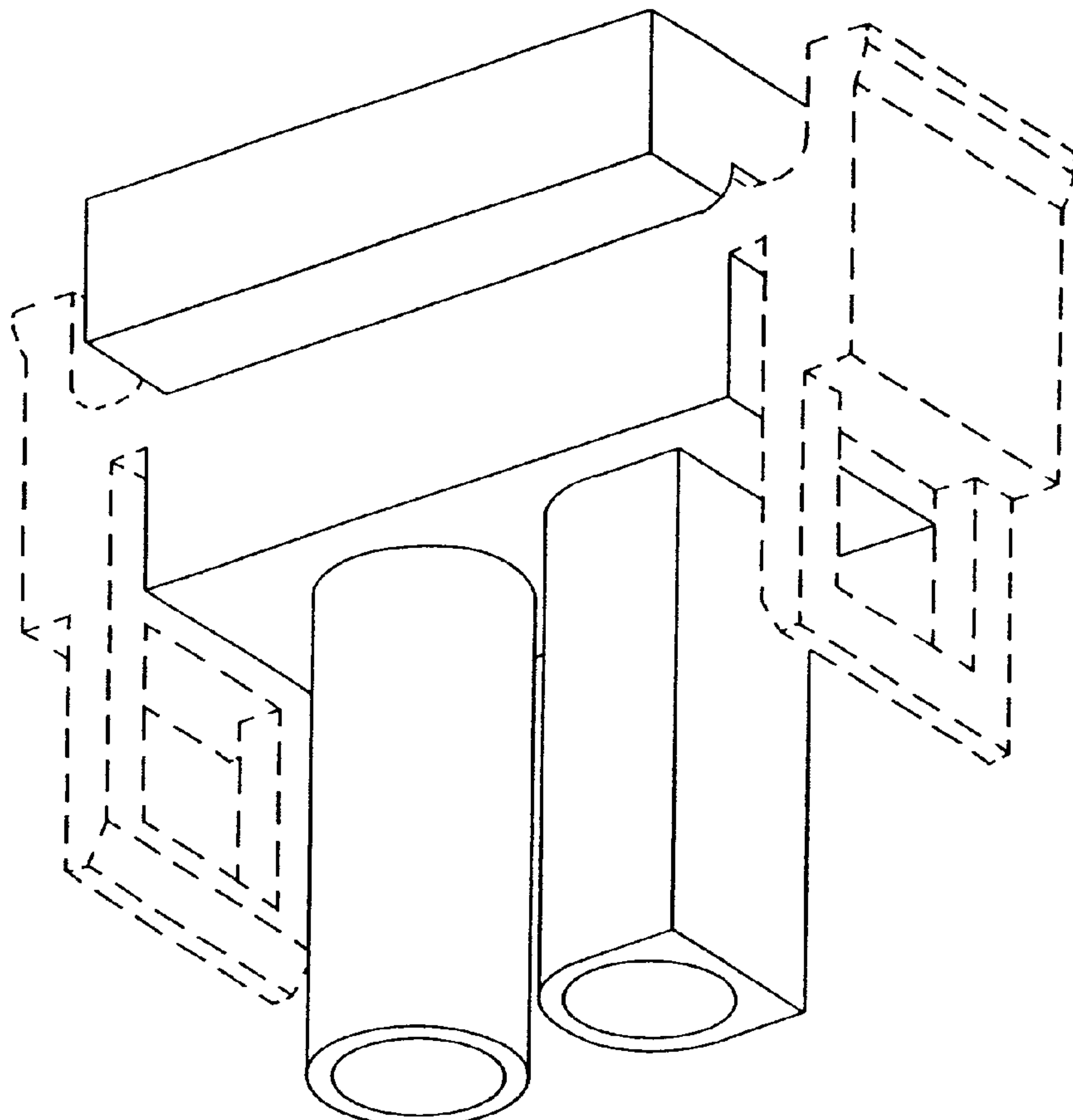
(56) **References Cited**

The dotted lines shown in the figures represent environmental structure and form no part of the claimed design.

U.S. PATENT DOCUMENTS

4,544,220 A	*	10/1985	Aiello et al.	439/594
4,606,596 A	*	8/1986	Whiting et al.	439/465
4,708,662 A	*	11/1987	Klein	439/353

1 Claim, 1 Drawing Sheet



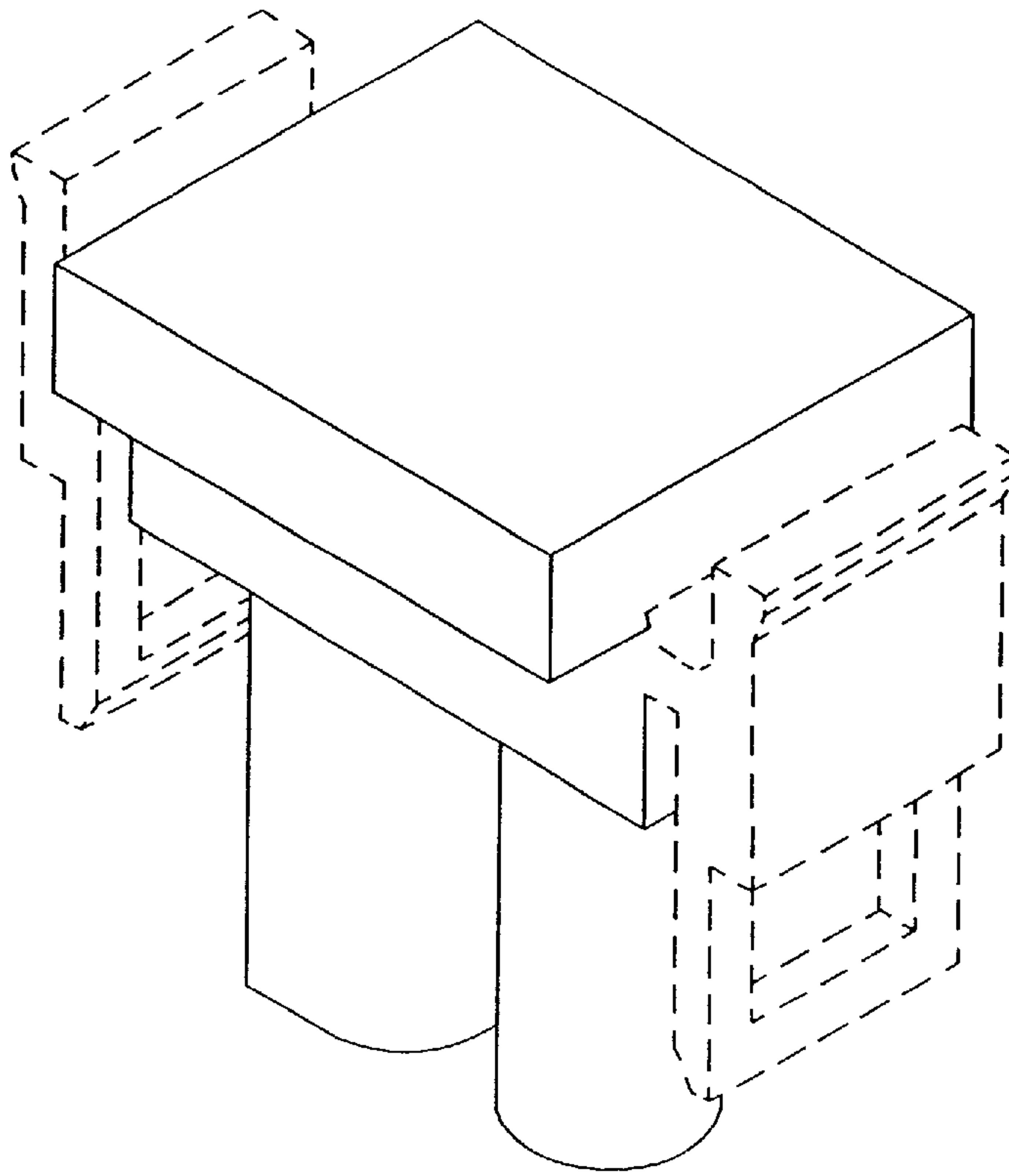


FIG. 1

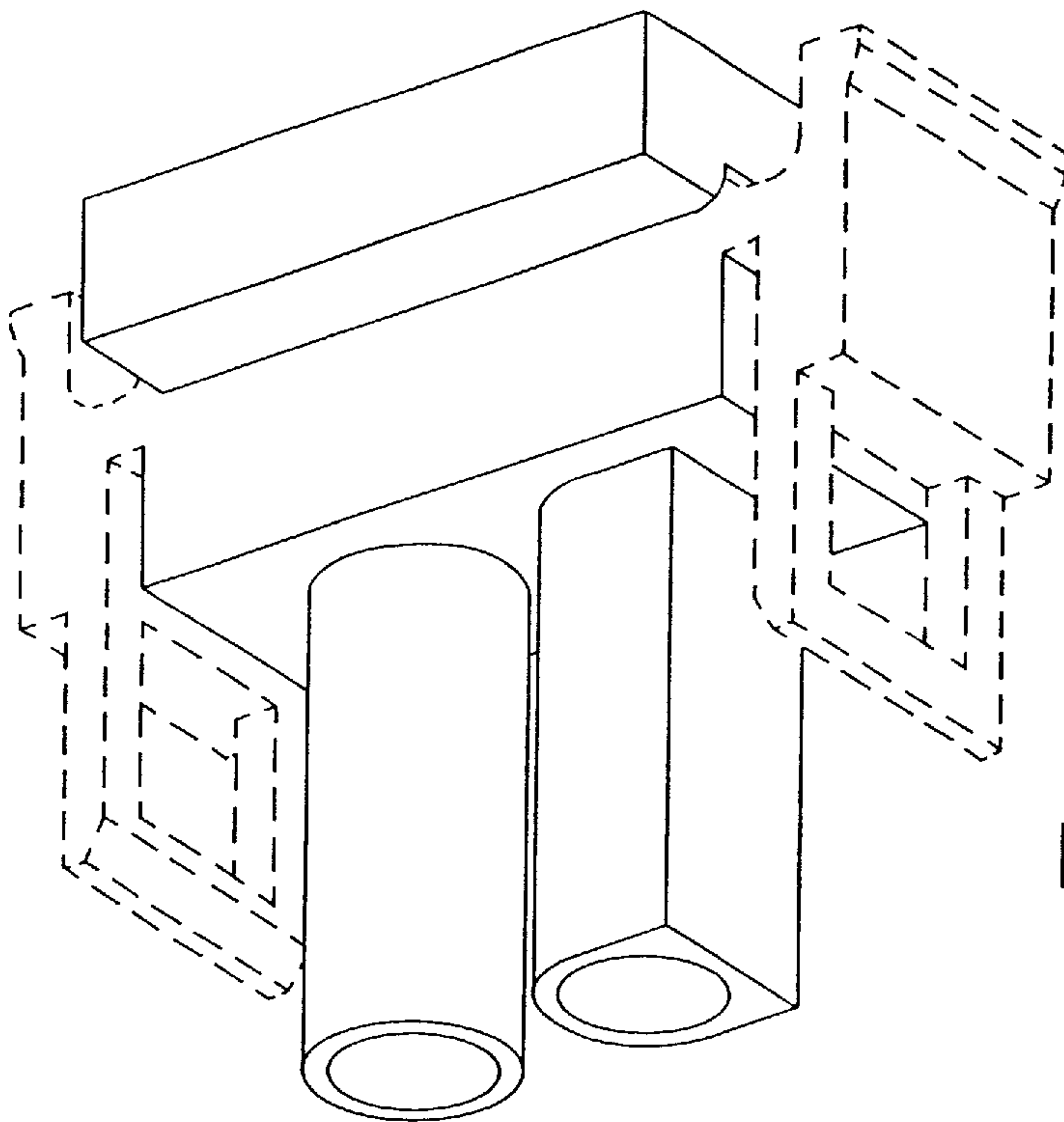


FIG. 2