



US00D473841S

(12) **United States Design Patent**
Kendrick, III

(10) **Patent No.:** **US D473,841 S**

(45) **Date of Patent:** **** Apr. 29, 2003**

(54) **OVERHEAD HOUSING FOR ENTERTAINMENT DEVICES TO BE USED BY REARSEAT PASSENGERS IN A WHEELED VEHICLE**

D413,856 S * 9/1999 Scribner D12/418
D428,849 S * 8/2000 Higginson D12/418

* cited by examiner

Primary Examiner—Stacia Cadmus

(74) *Attorney, Agent, or Firm*—Charles W. McHugh

(76) **Inventor:** **James M. Kendrick, III**, P.O. Box 249, Godley, TX (US) 76044

(**) **Term:** **14 Years**

(57) **CLAIM**

The ornamental design for an overhead housing for entertainment devices to be used by rearseat passengers in a wheeled vehicle, as shown and described.

(21) **Appl. No.:** **29/168,843**

(22) **Filed:** **Oct. 8, 2002**

DESCRIPTION

(51) **LOC (7) Cl.** **12-16**

(52) **U.S. Cl.** **D12/418**

(58) **Field of Search** D12/415, 418, D12/400; D14/124, 126, 129, 113, 132–133, 100; 296/37.1–37.8, 70; 224/311, 539; 180/90; 439/34

FIG. 1 is a perspective view of an “overhead housing for entertainment devices to be used by rearseat passengers in a wheeled vehicle,” showing my new design as it would be seen by a seated passenger looking upwardly at the housing; FIG. 2 is a bottom plan view thereof; FIG. 3 is a rear elevational view thereof; FIG. 4 is a front elevational view thereof; FIG. 5 is a right side elevational view thereof, with the left side elevational view being a mirror image thereof; FIG. 6 is a cross-sectional view of the housing through the cutting plane indicated by the lines 6—6 in FIG. 2; and, FIG. 7 is a cross-sectional view of the housing through the cutting plane indicated by the lines 7—7 in FIG. 2. A top view of the housing has no ornamentally distinctive features.

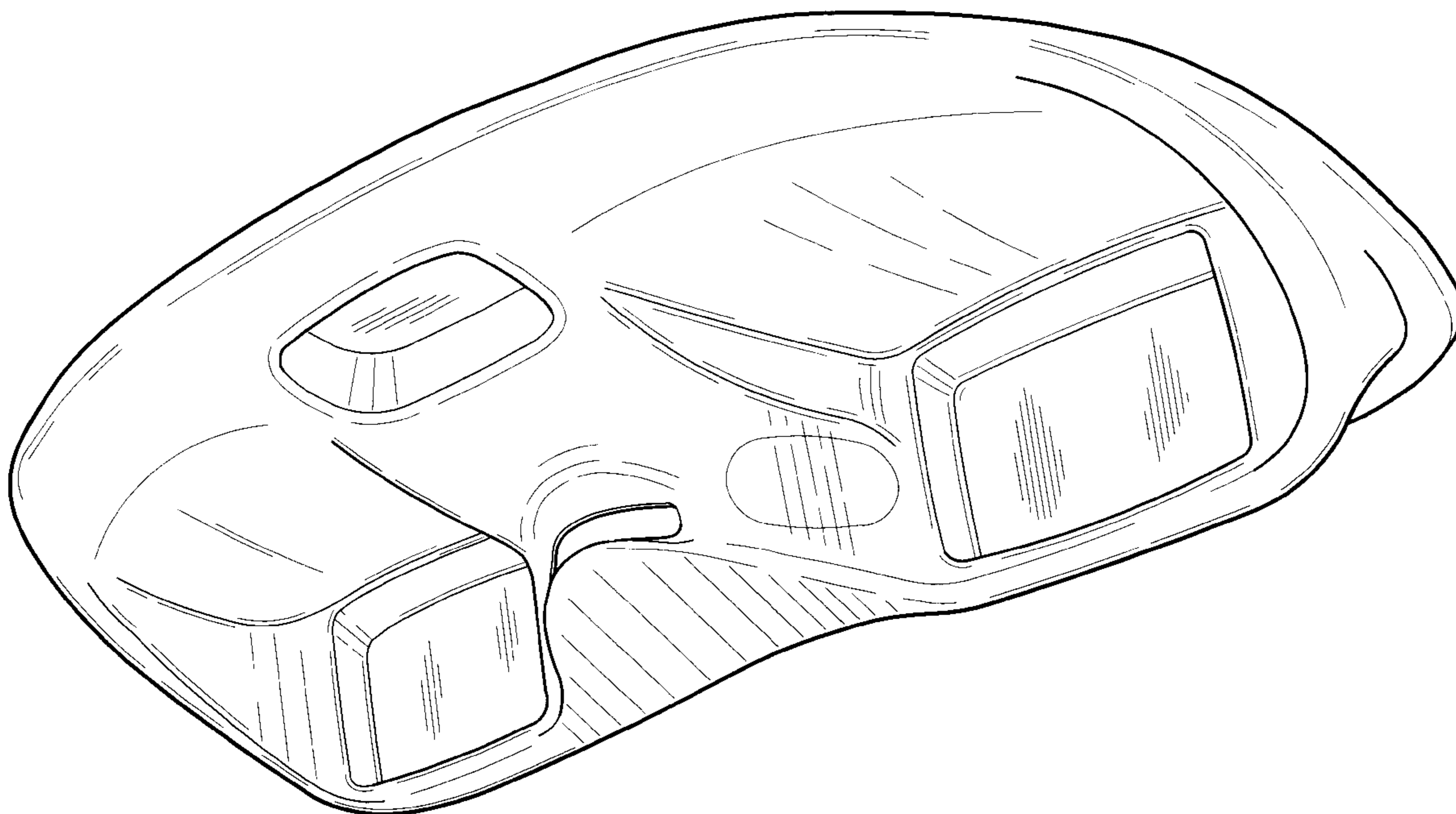
(56) **References Cited**

U.S. PATENT DOCUMENTS

D245,772 S	*	9/1977	Drafton	D12/418
D252,143 S	*	6/1979	Moore, Sr. et al.	D12/418
D260,143 S	*	8/1981	Hoese	D12/418
D260,630 S	*	9/1981	Drafton	D12/418
D280,312 S	*	8/1985	Simeri et al.	D12/418
D297,527 S	*	9/1988	Iacovelli	D12/418
D297,826 S	*	9/1988	Cody	D12/418
D315,704 S	*	3/1991	Eyrich	D12/418
D320,587 S	*	10/1991	Kapp et al.	D12/418
D339,780 S	*	9/1993	Burdick	D12/418
D411,822 S	*	7/1999	Ellis	D12/418

FIGS. 2–7 are shown on a reduced scale compared to that of FIG. 1.

1 Claim, 3 Drawing Sheets



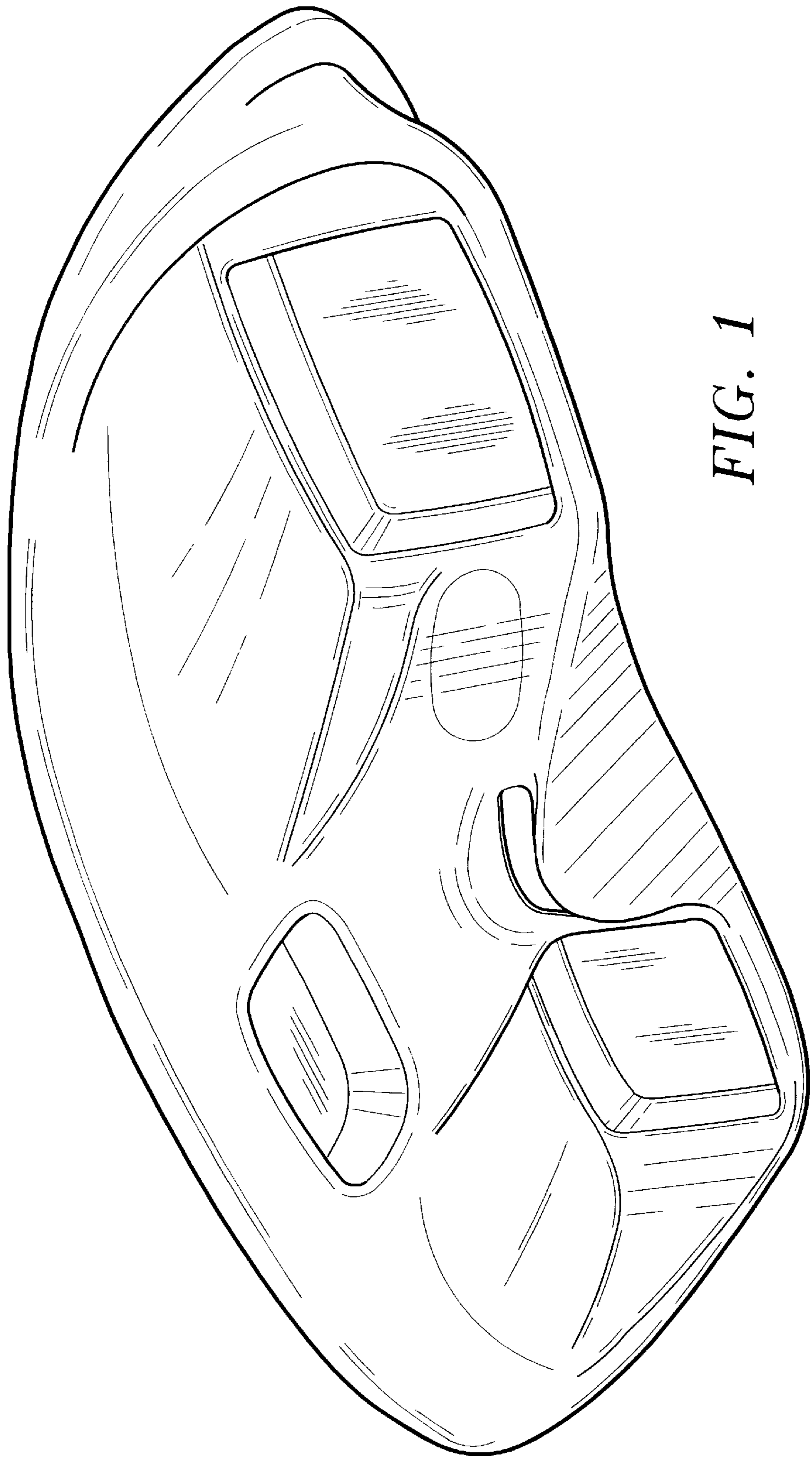


FIG. 1

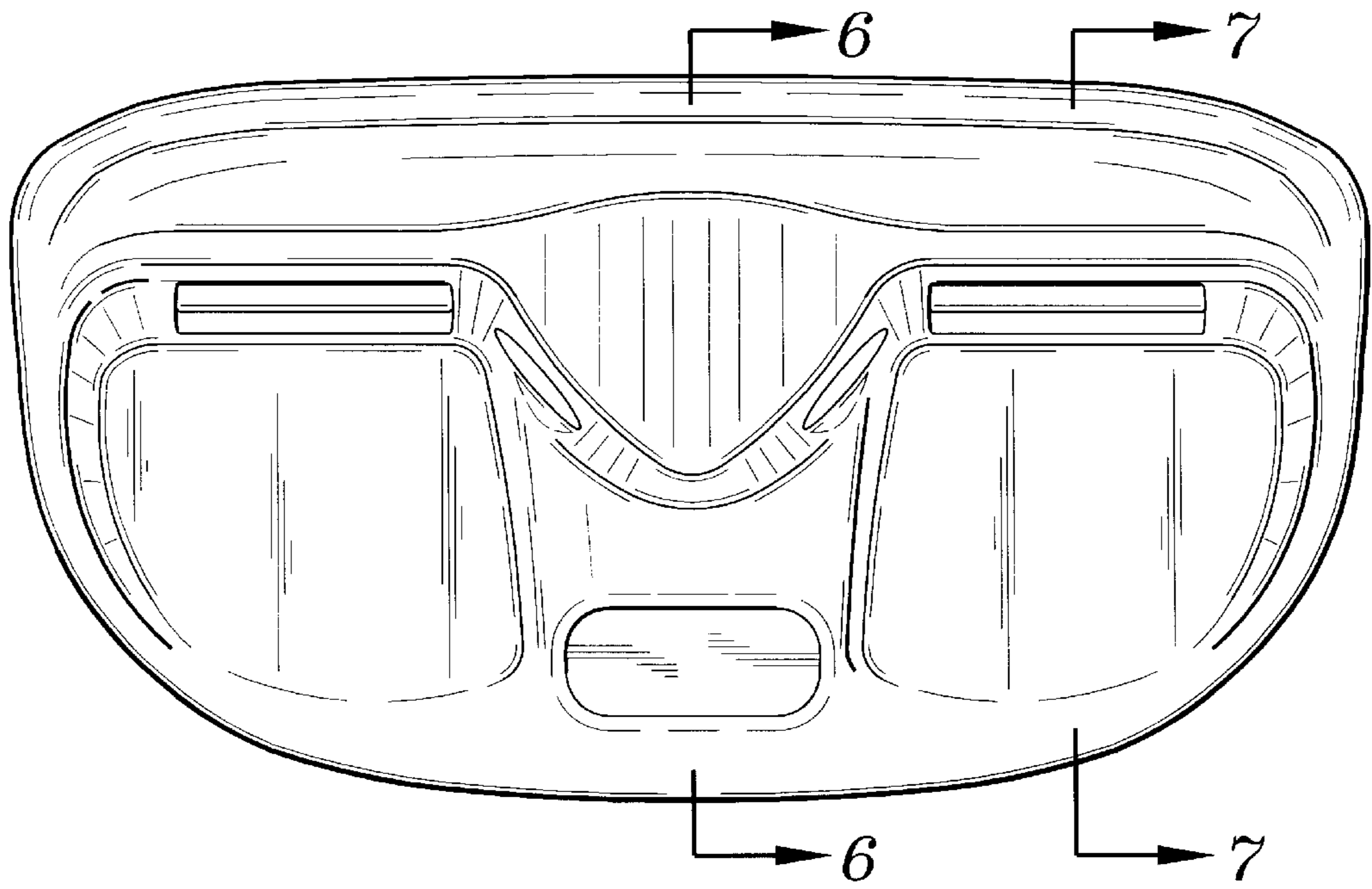


FIG. 2

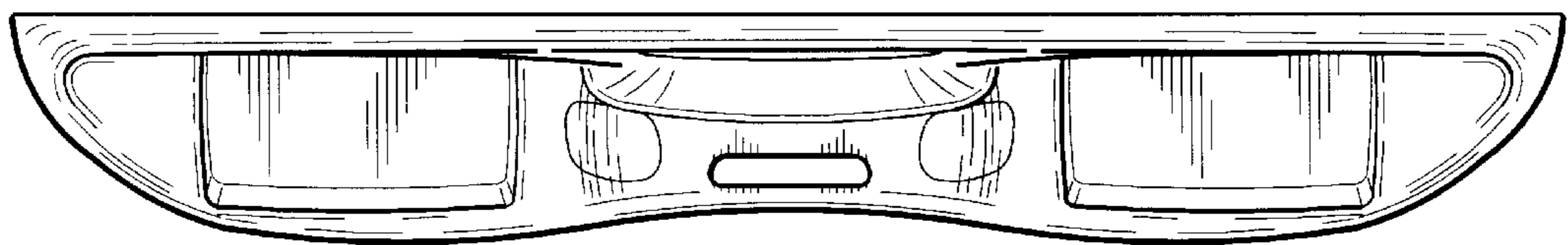


FIG. 3

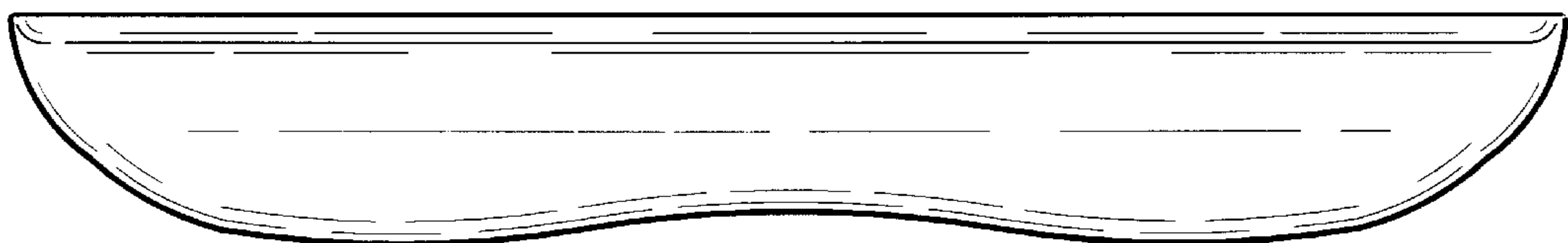


FIG. 4

