



US00D473840S

(12) **United States Design Patent**
Sauer

(10) **Patent No.:** **US D473,840 S**

(45) **Date of Patent:** **** Apr. 29, 2003**

(54) **CAR SEAT TRAY**

(76) **Inventor:** **Roger D. Sauer**, 6617 N. Derek La.,
Idaho Falls, ID (US) 83401

(**) **Term:** **14 Years**

(21) **Appl. No.:** **29/167,495**

(22) **Filed:** **Sep. 16, 2002**

(51) **LOC (7) Cl.** **12-16**

(52) **U.S. Cl.** **D12/416**

(58) **Field of Search** D12/416, 419-425,
D12/415; 224/275, 497-499, 926; 297/125,
135, 146, 463.1-463.2, 188.1; D6/335-336,
333, 406; D7/601-602, 605-607; 108/44

(56) **References Cited**

U.S. PATENT DOCUMENTS

D165,667 S	1/1952	Sheets	
2,680,523 A	6/1954	Heeter	
2,904,378 A *	9/1959	MacIver D12/416
2,921,824 A	1/1960	Richter	
3,232,250 A *	2/1966	Hamilton et al. D12/416 X
3,233,563 A *	2/1966	Mauchline D12/416
D206,449 S	12/1966	Term	
3,318,456 A *	5/1967	Lipe D12/416 X

3,335,679 A	8/1967	Bown	
3,386,342 A	6/1968	Gramm	
3,625,161 A	12/1971	Rosner	
D260,832 S	9/1981	Verdesca et al.	
D298,884 S	12/1988	Rychlock	
D344,625 S *	3/1994	Berry D12/416
5,678,741 A *	10/1997	Schieber 224/275
D393,242 S *	4/1998	Wood D12/416
D401,214 S *	11/1998	Benavidez et al. D12/416
D415,995 S *	11/1999	Kanehl, Jr. D12/419
D419,520 S *	1/2000	Bergh D12/416
D425,474 S *	5/2000	Bergh D12/416

* cited by examiner

Primary Examiner—Stacia Cadmus
(74) *Attorney, Agent, or Firm*—R. L. Mikesell

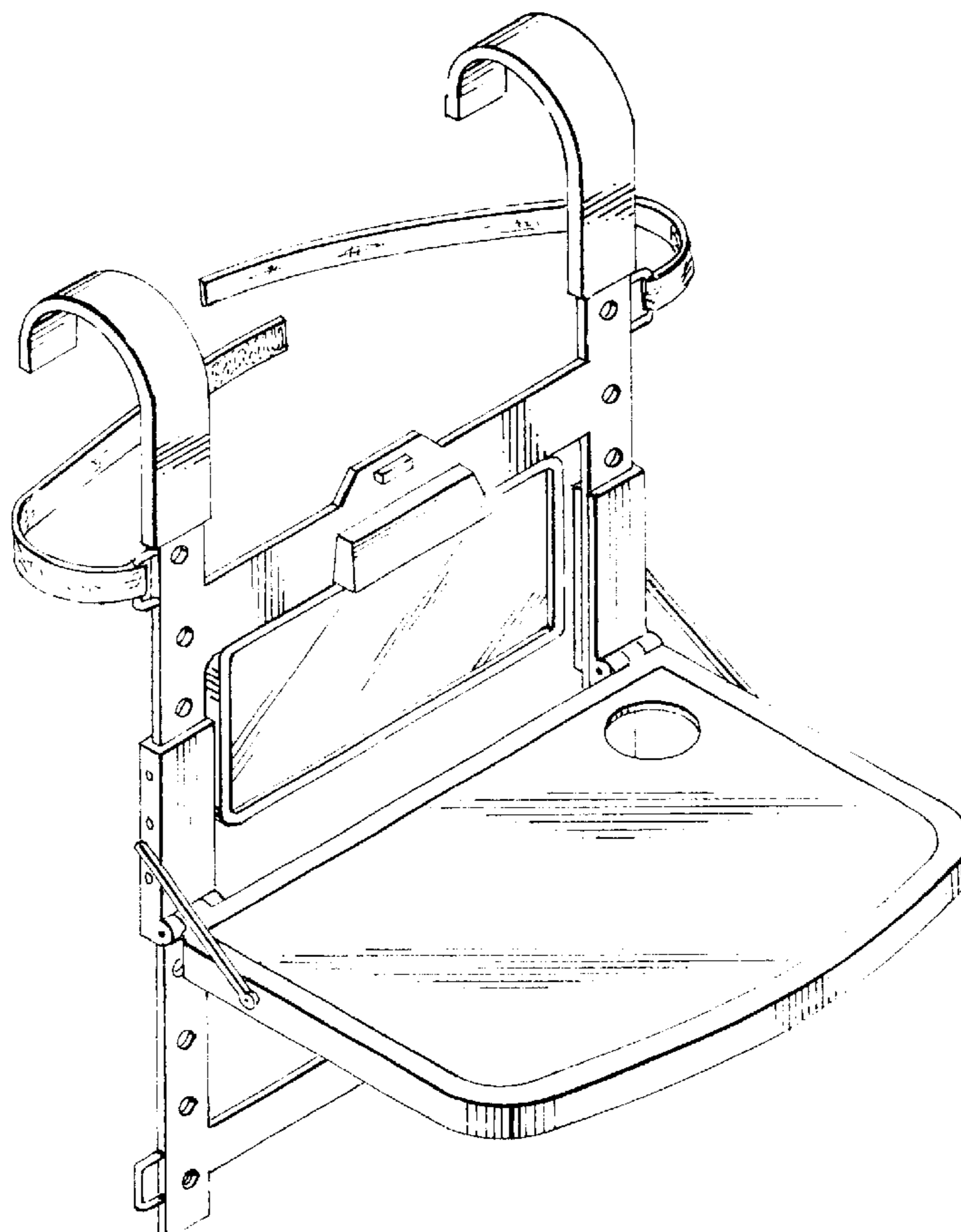
(57) **CLAIM**

The ornamental design for a car seat tray, as shown and described.

DESCRIPTION

FIG. 1 is a perspective view of a car seat tray, showing my new design; and,
FIG. 2 is a rear view thereof.

1 Claim, 1 Drawing Sheet



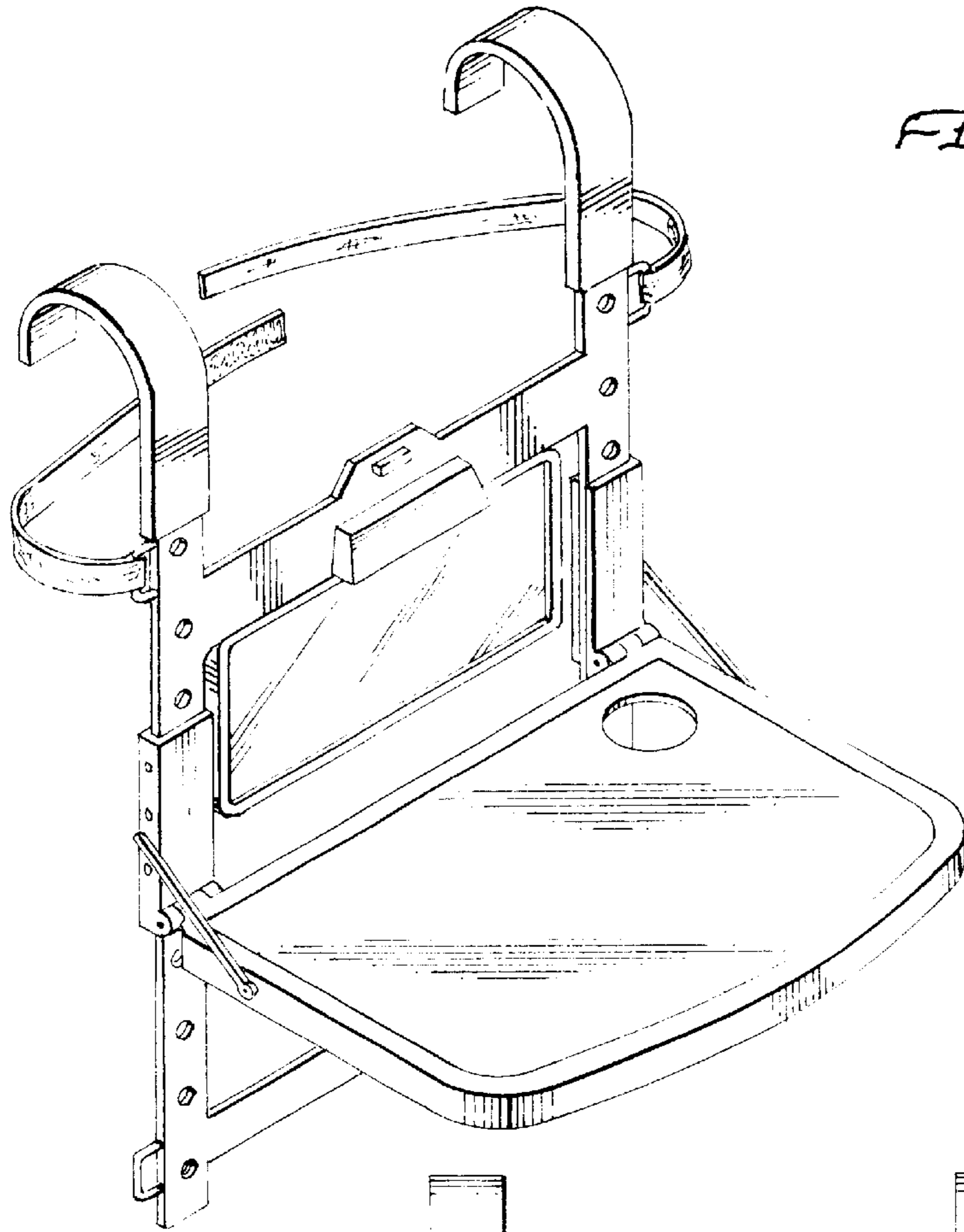


FIG. 1

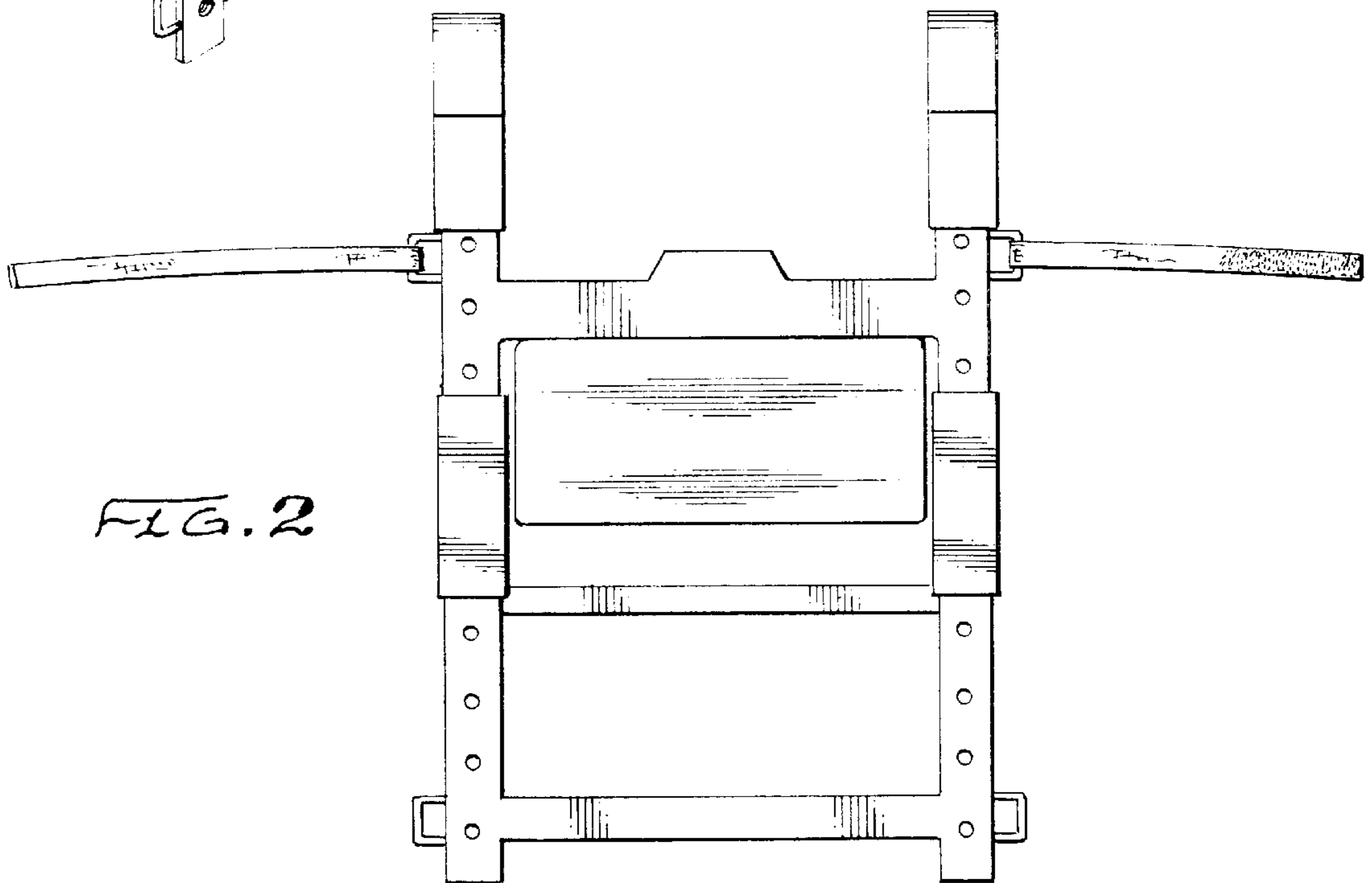


FIG. 2