



US00D473839S

(12) **United States Design Patent**
Atencio

(10) **Patent No.:** **US D473,839 S**

(45) **Date of Patent:** **** Apr. 29, 2003**

(54) **BED SUPPORTED TRUCK BED RACK**

(76) Inventor: **Don Atencio**, 5608 Villa View,
Farmington, NM (US) 87402

(**) Term: **14 Years**

(21) Appl. No.: **29/170,539**

(22) Filed: **Nov. 7, 2002**

(51) **LOC (7) Cl.** **12-99**

(52) **U.S. Cl.** **D12/414.1**

(58) **Field of Search** D12/406, 414,
D12/414.1, 423; 296/37.1, 37.6, 37.5, 39.1,
39.2; 280/901; 224/400, 402-405, 539,
42.11, 42.32, 542

5,904,364 A	5/1999	Wylezinski et al.	
D411,164 S	* 6/1999	Harris	D12/414.1
6,003,923 A	12/1999	Scott et al.	
6,007,129 A	12/1999	Kearney, Jr.	
D426,187 S	* 6/2000	Shultz	D12/414.1
D426,511 S	6/2000	Mehuron	
6,079,741 A	6/2000	Maver	
6,099,228 A	8/2000	Krogmann	
D432,489 S	* 10/2000	Hall et al.	D12/414.1

* cited by examiner

Primary Examiner—Stacia Cadmus
(74) *Attorney, Agent, or Firm*—Dennis F. Armijo

(57) **CLAIM**

The ornamental design for a bed supported truck bed rack, as shown and described.

(56) **References Cited**

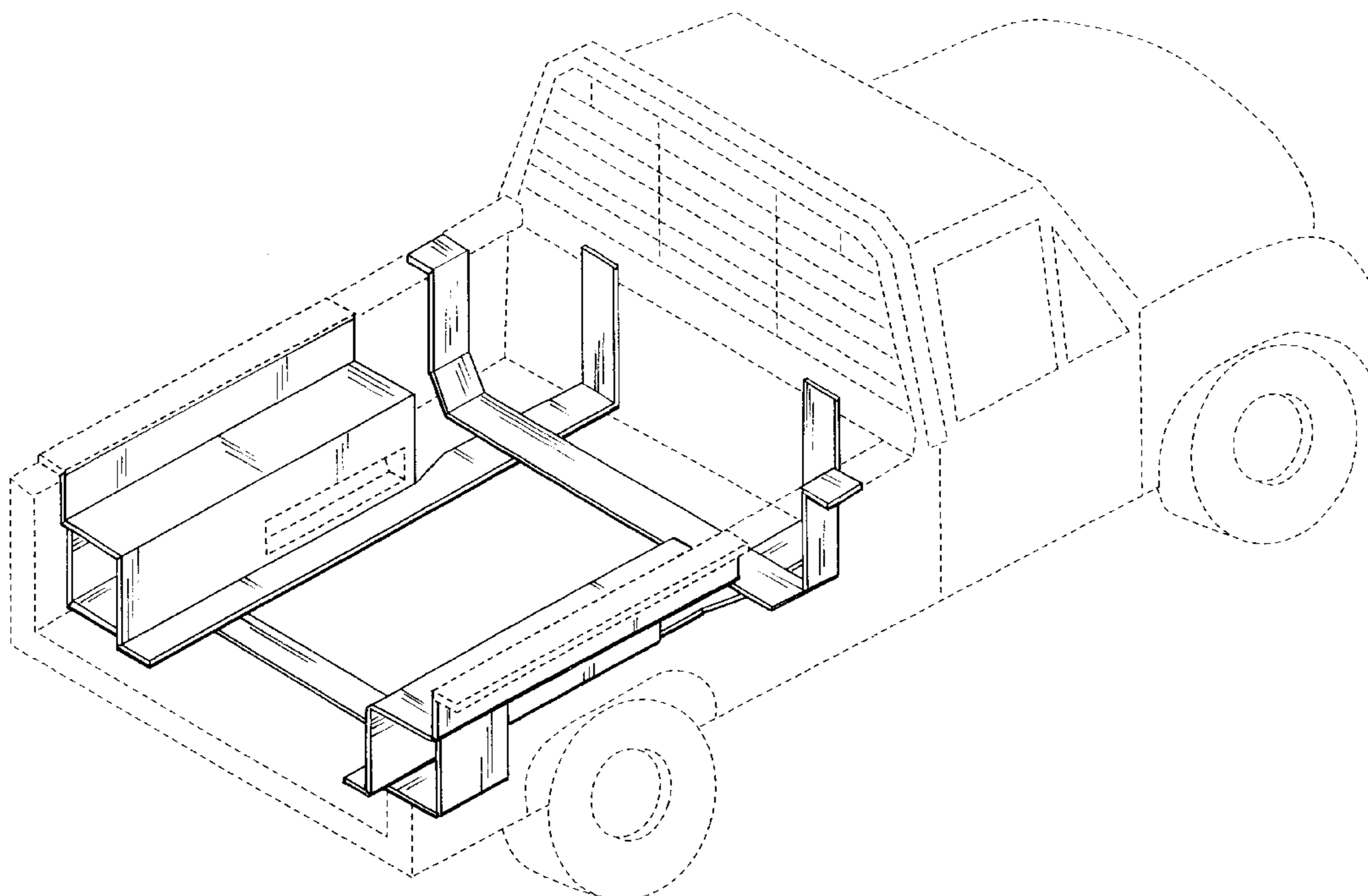
U.S. PATENT DOCUMENTS

3,727,971 A	4/1973	Sisler	
4,190,281 A	2/1980	Chandler	
4,469,364 A	9/1984	Rafi-Zadeh	
4,705,317 A	11/1987	Henri	
4,872,719 A	10/1989	Cardwell	
4,953,908 A	9/1990	Dondlinger	
D320,372 S	10/1991	Alberts	
D332,072 S	12/1992	Shirlin et al.	
D333,289 S	2/1993	Shirlin et al.	
5,232,329 A	8/1993	Livingston	
5,303,858 A	4/1994	Price	
D349,680 S	8/1994	Powell	
D352,697 S	* 11/1994	Johnson	D12/406
D373,988 S	* 9/1996	Johnson	D12/423
5,584,521 A	12/1996	Hathaway et al.	
D397,322 S	* 8/1998	Tobin	D12/414
5,848,818 A	12/1998	Flueckinger	

DESCRIPTION

FIG. 1 is a perspective view of the bed supported truck bed rack on a truck, embodying my new design; FIG. 2 is a perspective view of the embodiment of FIG. 1 without the truck; FIG. 3 is a top view of FIG. 2; FIG. 4 is a bottom view of FIG. 2; FIG. 5 is a right side view of FIG. 2, the left side view being a mirror image thereof; FIG. 6 is a rear view of FIG. 2; and, FIG. 7 is a front view of FIG. 2. The broken lines of the truck in FIG. 1, the headache rack, tool compartment and side rails in all of the Figures are shown for illustrative purposes only and form no part of the claim.

1 Claim, 7 Drawing Sheets



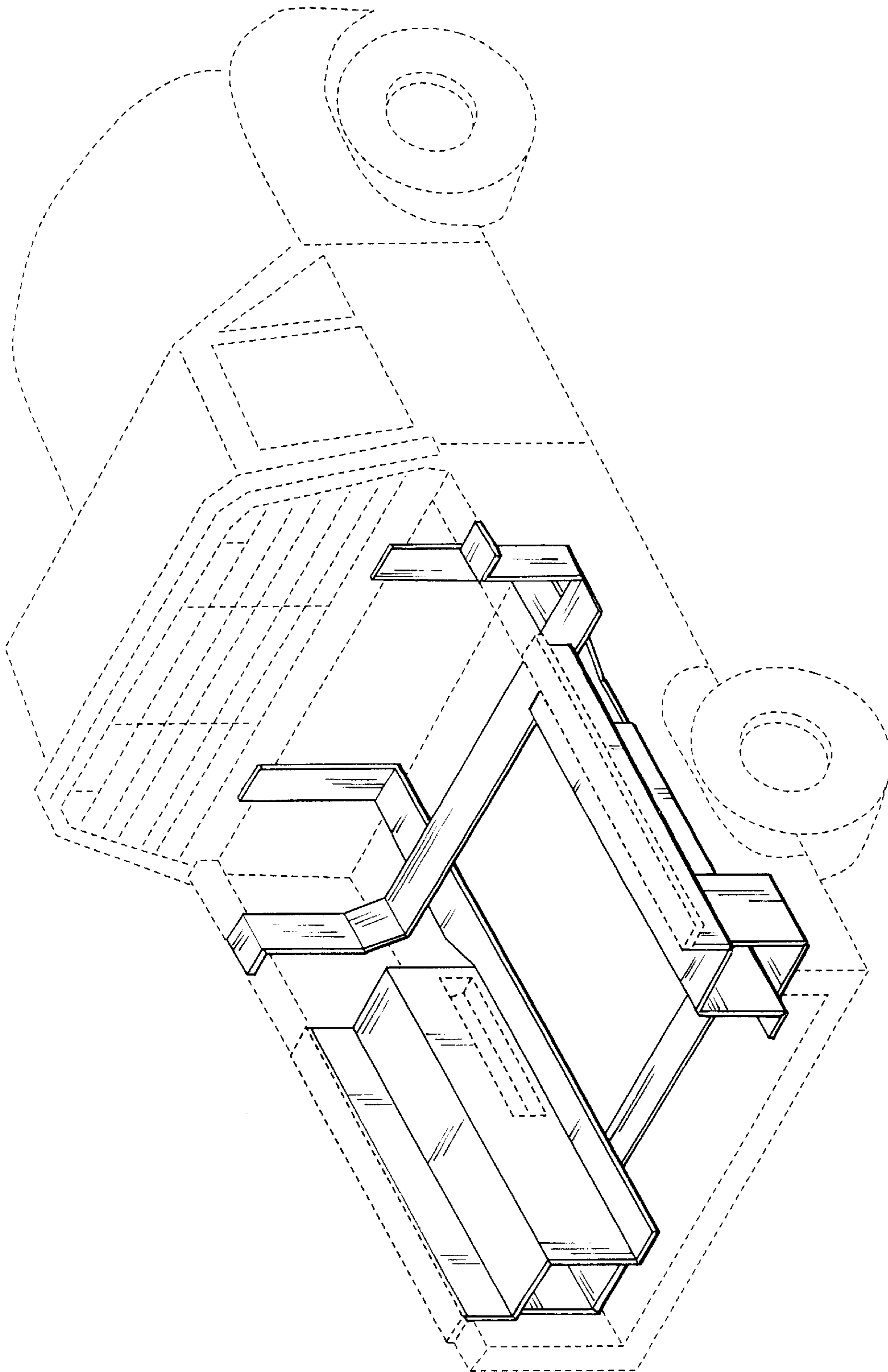


FIG-1

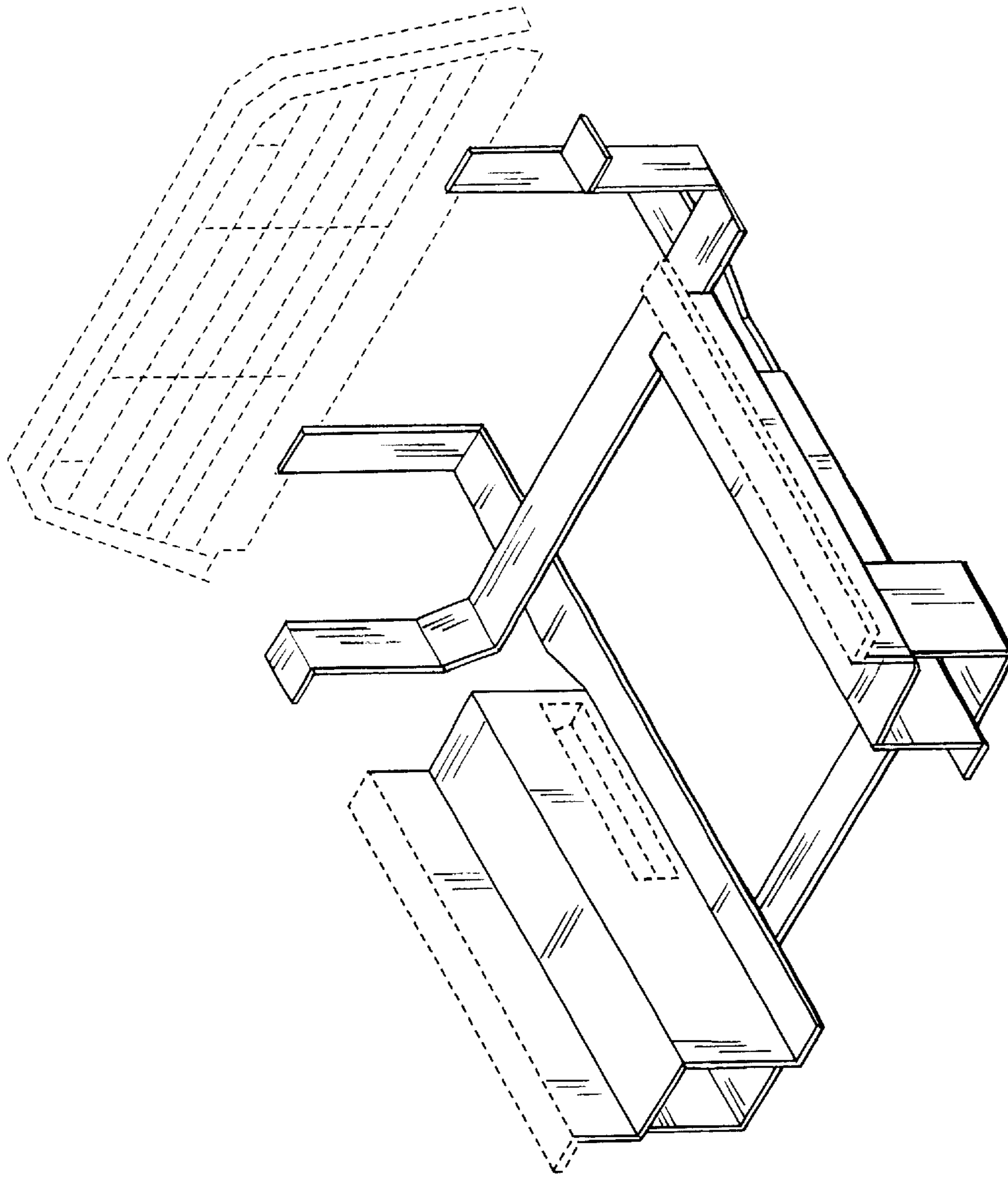


FIG-2

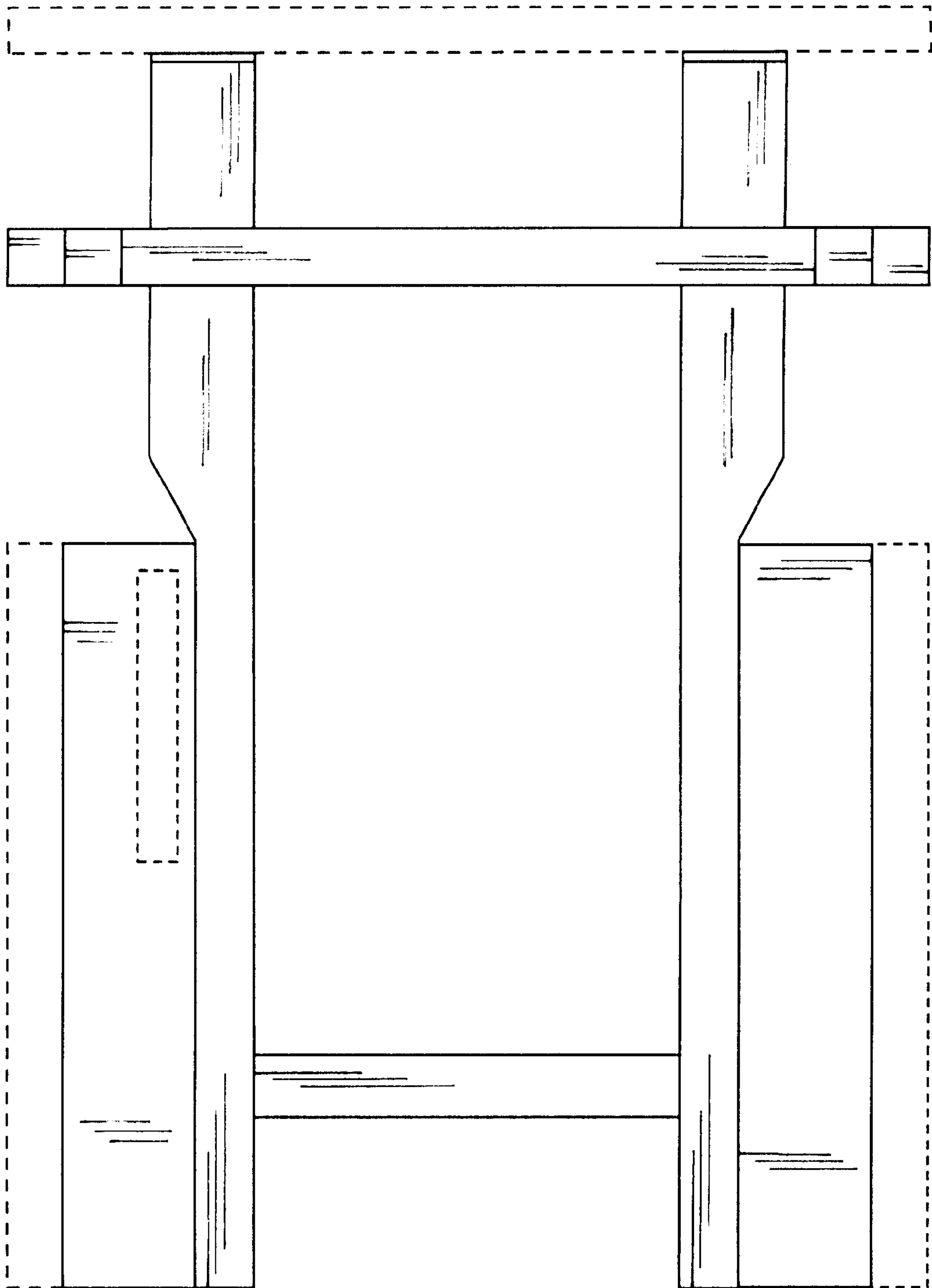


FIG-3

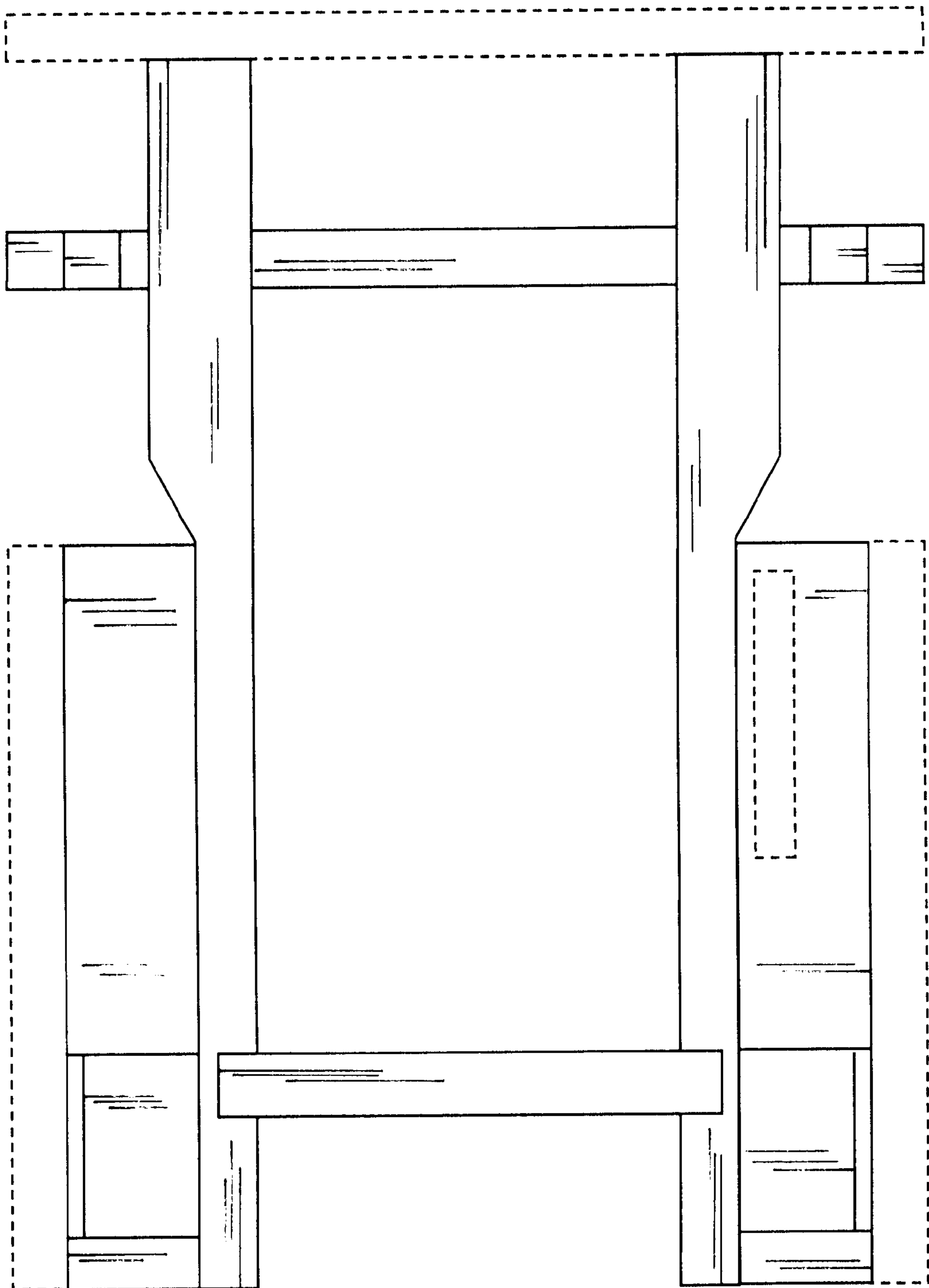


FIG-4

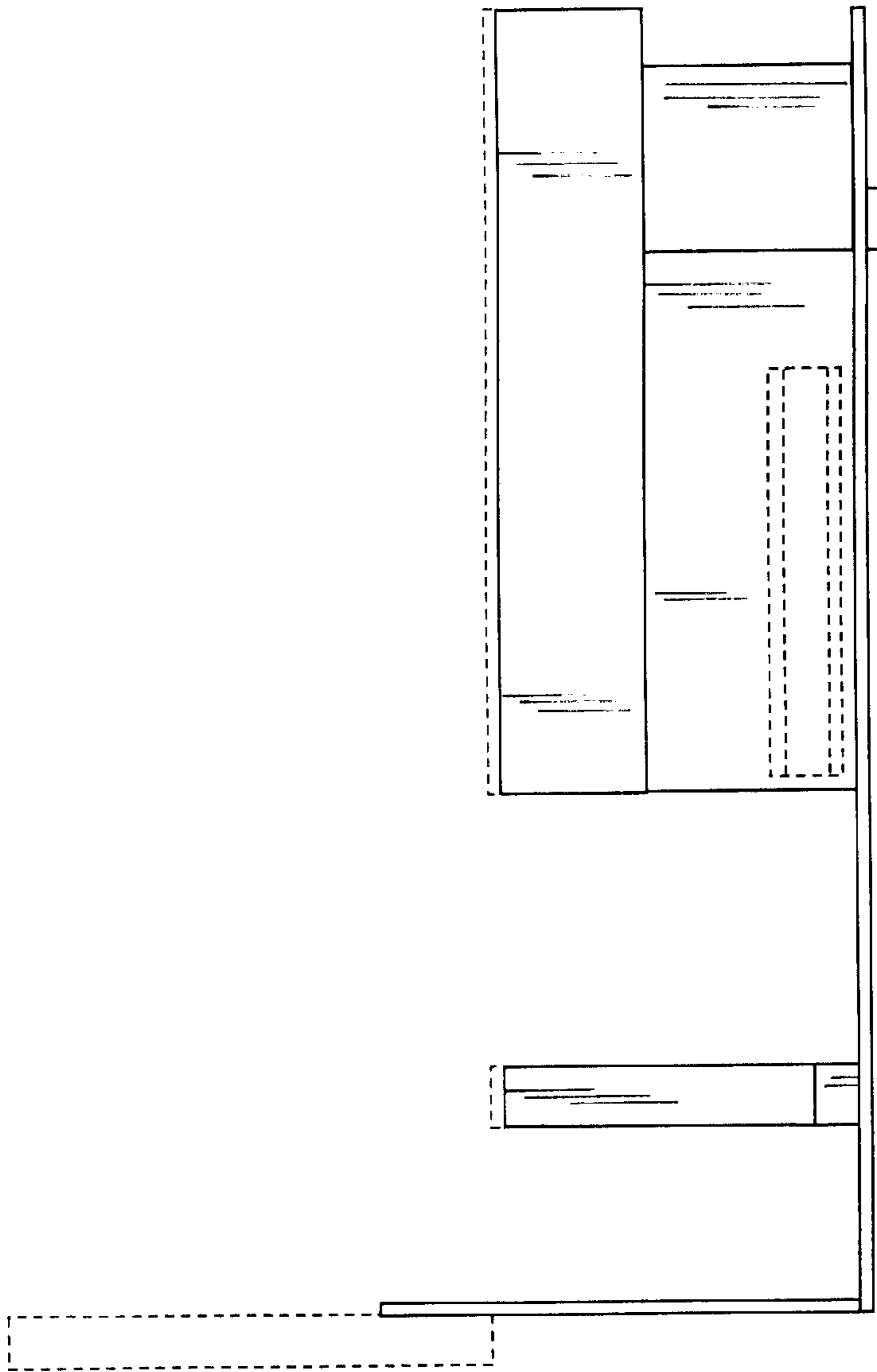


FIG-5

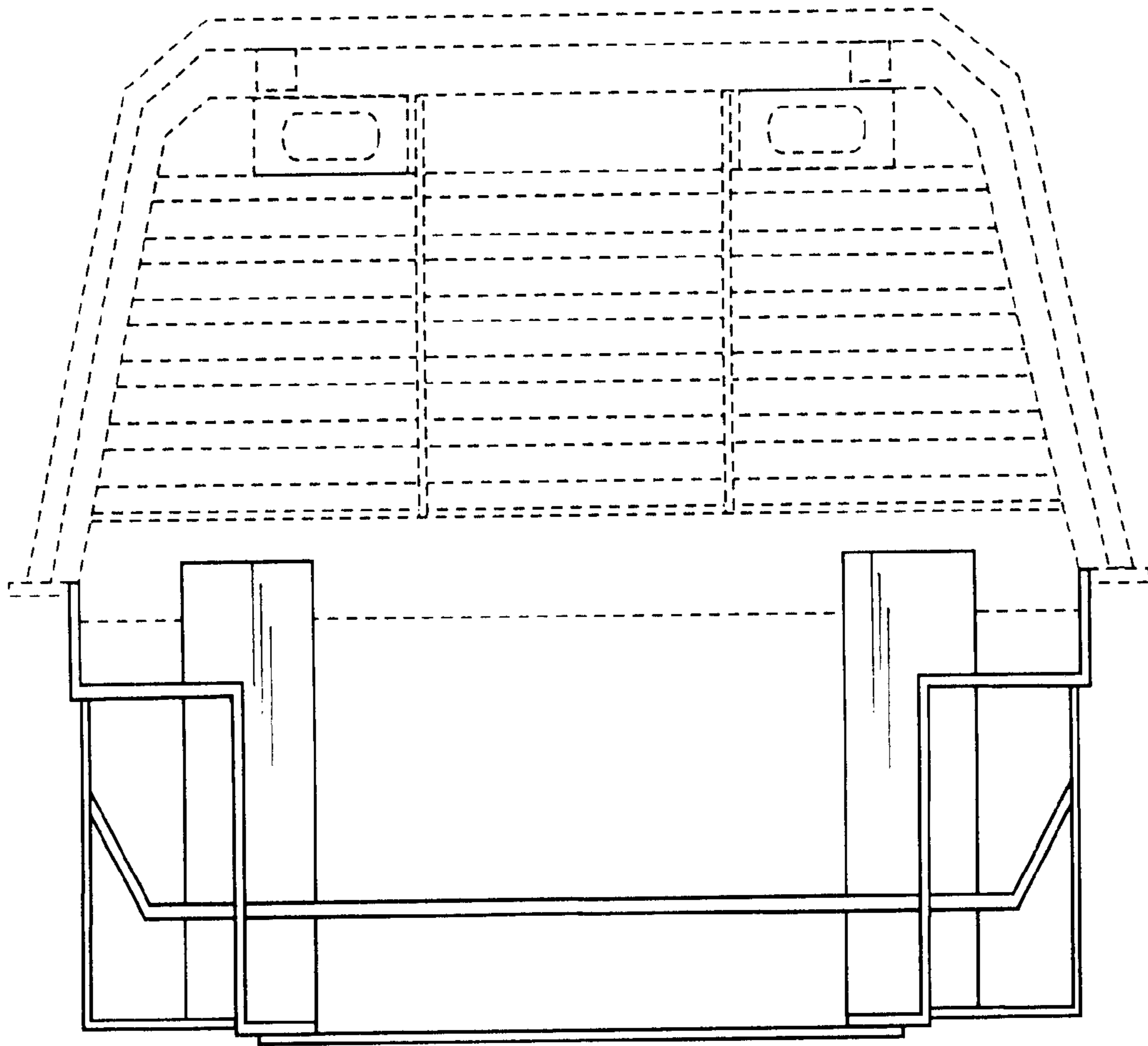


FIG-6

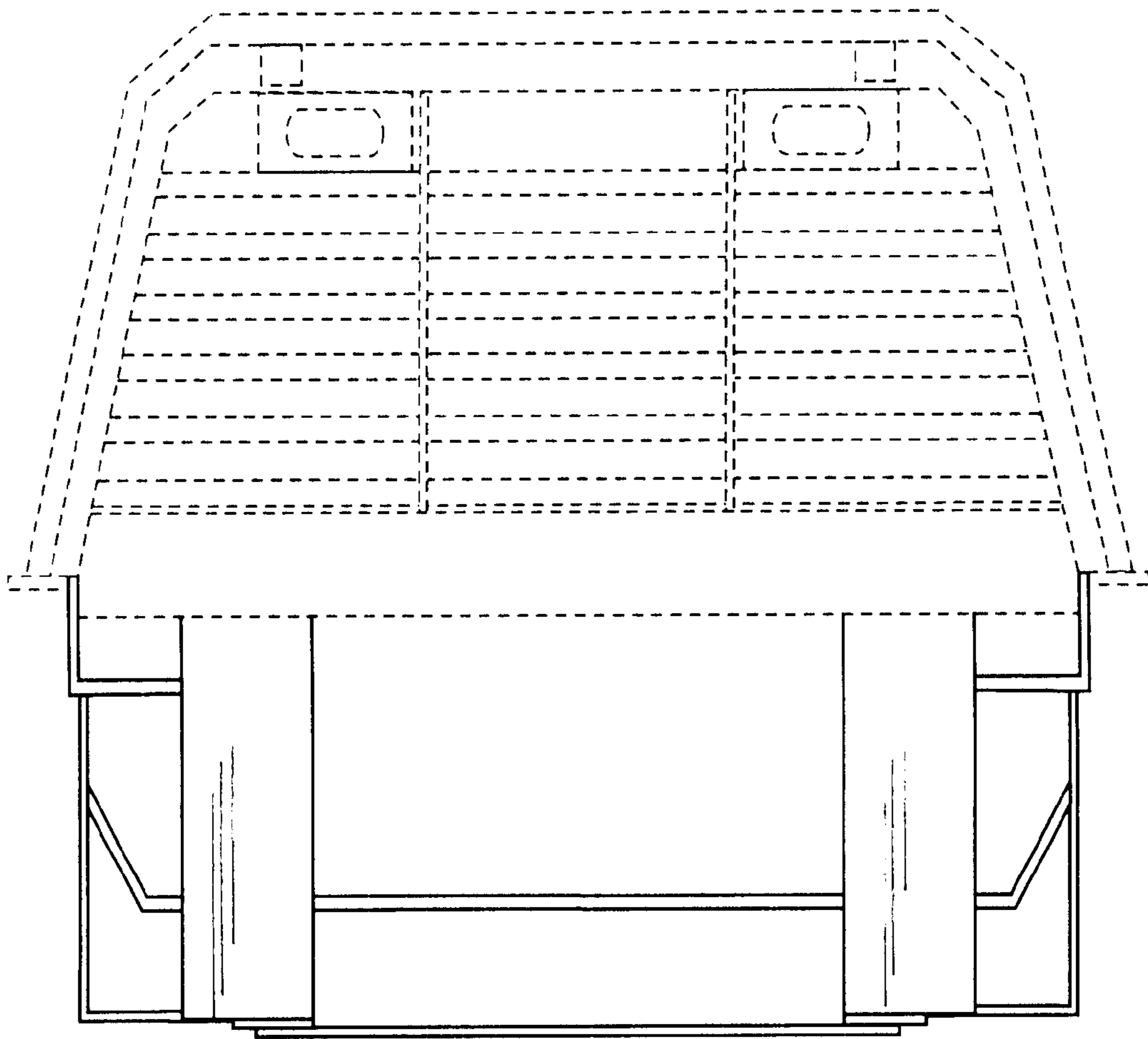


FIG-7