



US00D473838S

(12) **United States Design Patent**
Wang

(10) **Patent No.:** **US D473,838 S**

(45) **Date of Patent:** **** Apr. 29, 2003**

(54) **FENCE FOR RETAINING PETS IN CARS**

(76) **Inventor:** **Chiu-Kuei Wang**, No. 42, 4 Lin,
Shin-Fuh Lee, Yuan-Li Town, Miao-lih
Hsien (TW)

(**) **Term:** **14 Years**

(21) **Appl. No.:** **29/165,324**

(22) **Filed:** **Aug. 9, 2002**

(51) **LOC (7) Cl.** **12-16**

(52) **U.S. Cl.** **D12/414**

(58) **Field of Search** D12/414, 400;
D30/108; 296/37.16, 24.1-24.2, 97.4, 152,
370.21, 374; 280/748, 749; 160/201, 265,
310, 370.32, 105, 127; 297/391; 410/117-121,
129, 140-142

(56) **References Cited**

U.S. PATENT DOCUMENTS

2,982,579	A	*	5/1961	Greenwald	296/24
3,044,800	A	*	7/1962	Wicker	280/150
4,919,467	A	*	4/1990	Guimelli	296/24.1
4,924,814	A	*	5/1990	Beaudet	296/24.2
D325,016	S	*	3/1992	Moore	D12/414
D326,076	S	*	5/1992	Wiese	D12/414

D365,323	S	*	12/1995	Napierkowski et al.	D12/414
5,632,520	A	*	5/1997	Butz	296/24.1
6,012,753	A	*	1/2000	Ordoyne et al.	296/24.2
6,059,313	A	*	5/2000	Coogan et al.	280/749
6,192,628	B1	*	2/2001	Pinheiro et al.	296/152 X
6,349,986	B1	*	2/2002	Seel et al.	296/37.16

* cited by examiner

Primary Examiner—Stacia Cadmus

(74) *Attorney, Agent, or Firm*—Rosenberg, Klein & Lee

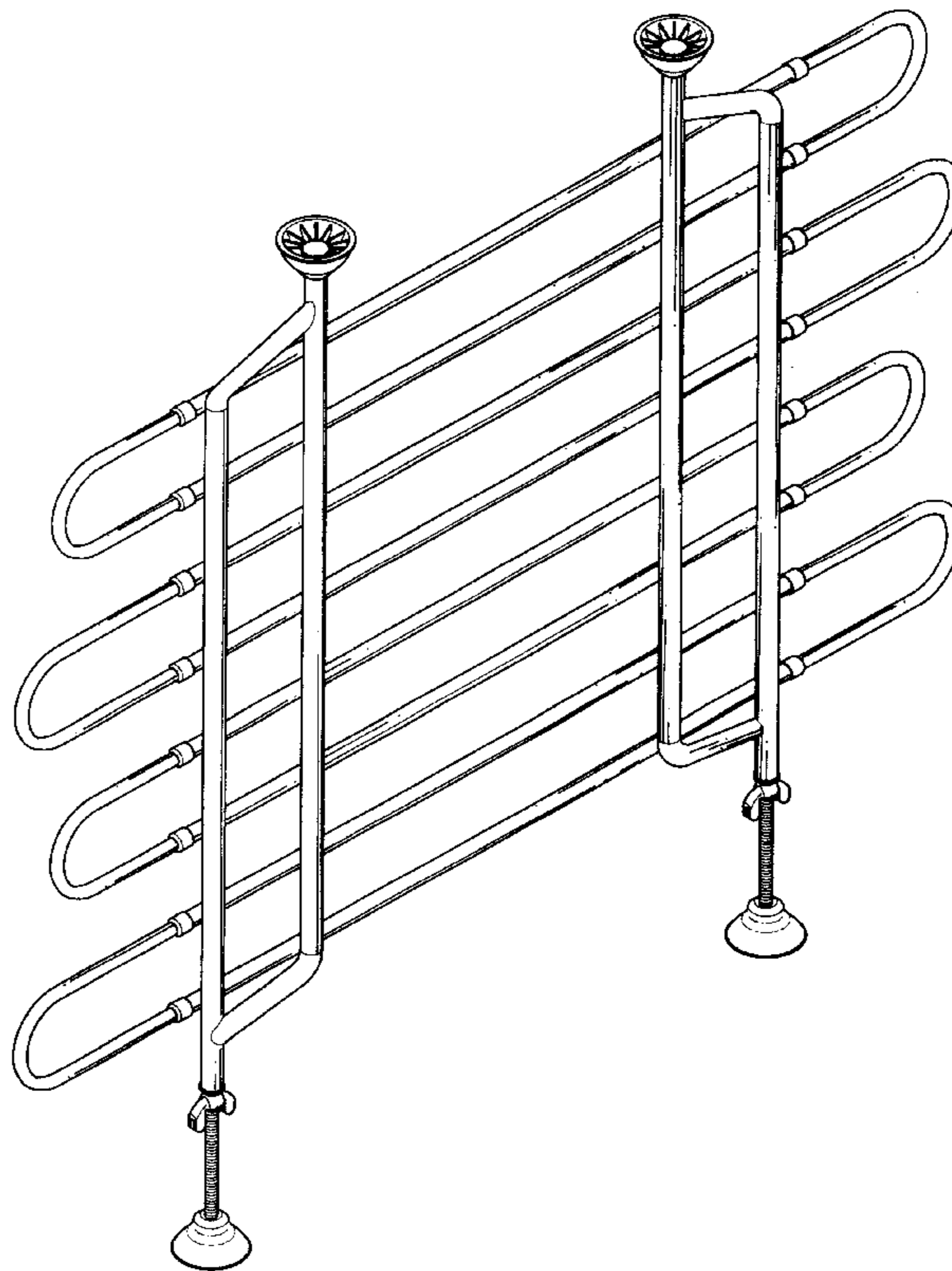
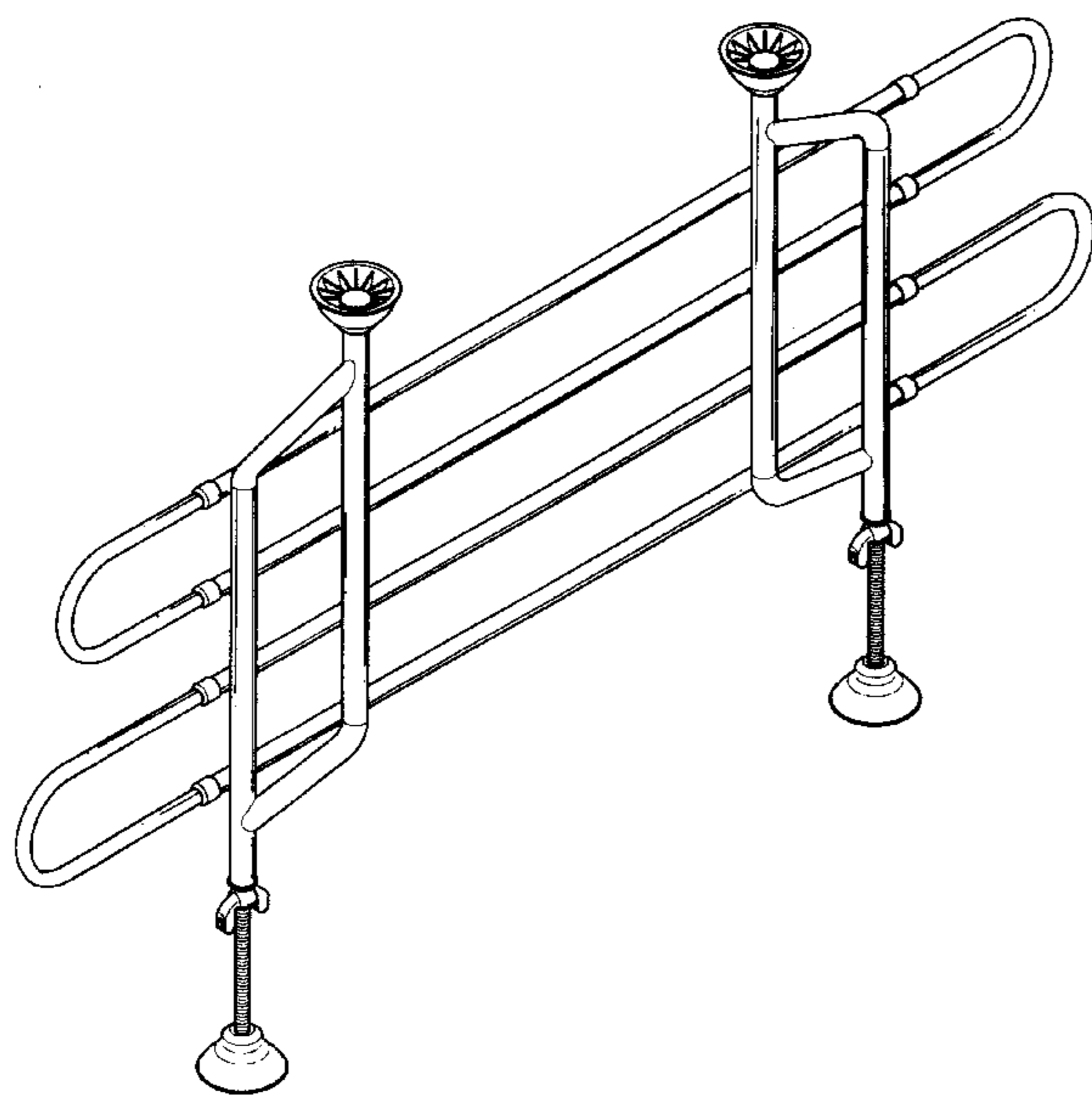
(57) **CLAIM**

The ornamental design for a fence for retaining pets in cars, as shown and described.

DESCRIPTION

FIG. 1 is a front-bottom perspective view of a fence for retaining pets in cars, showing my new design; FIG. 2 is a front elevational view thereof; FIG. 3 is a rear elevational view thereof; FIG. 4 is a left elevational view thereof; and FIG. 5 is a right elevational view thereof; FIG. 6 is a top plan view thereof; and FIG. 7 is a bottom plan view thereof; and, FIG. 8 is a perspective view showing a second embodiment of the chained design.

1 Claim, 6 Drawing Sheets



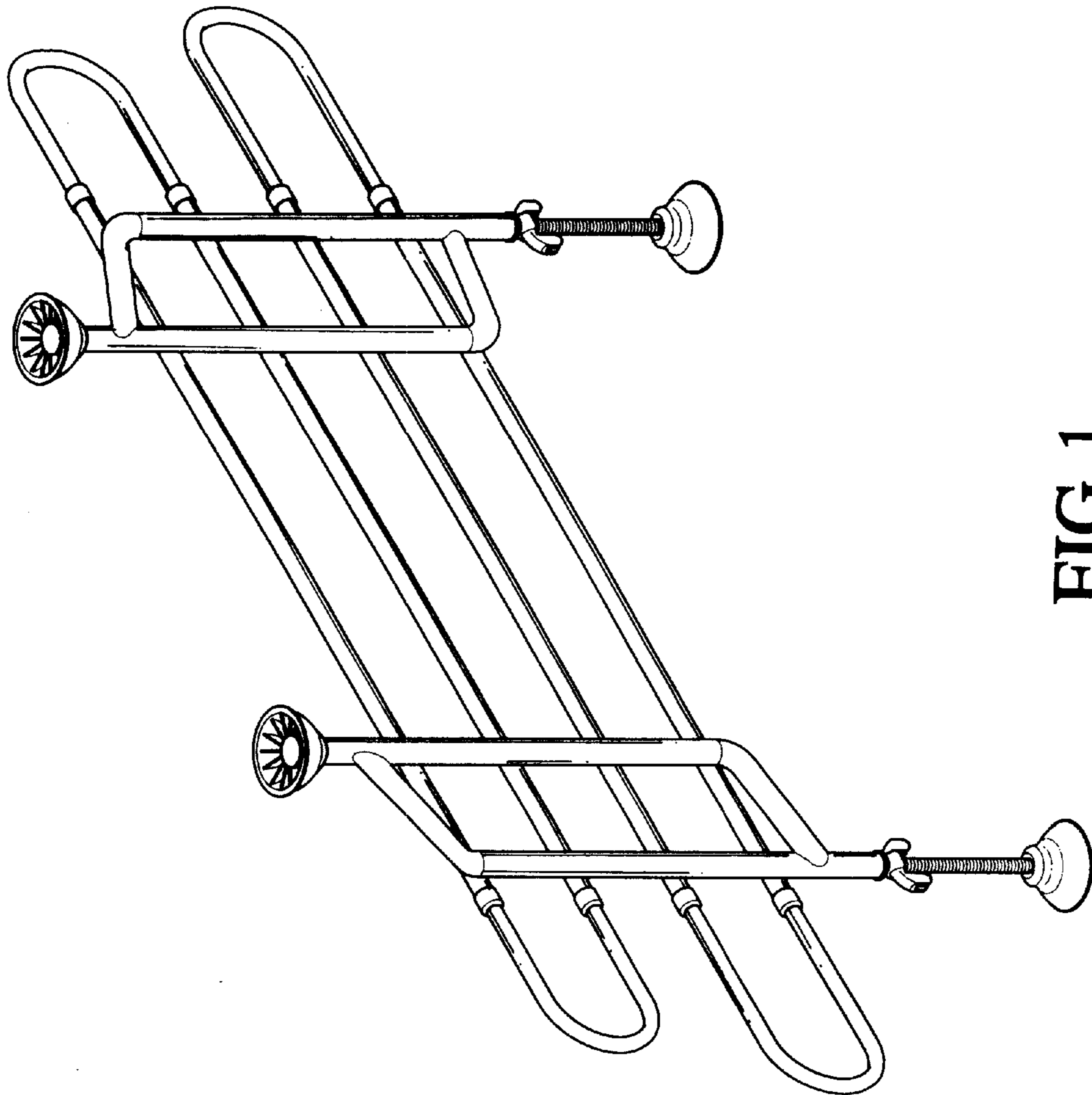


FIG. 1

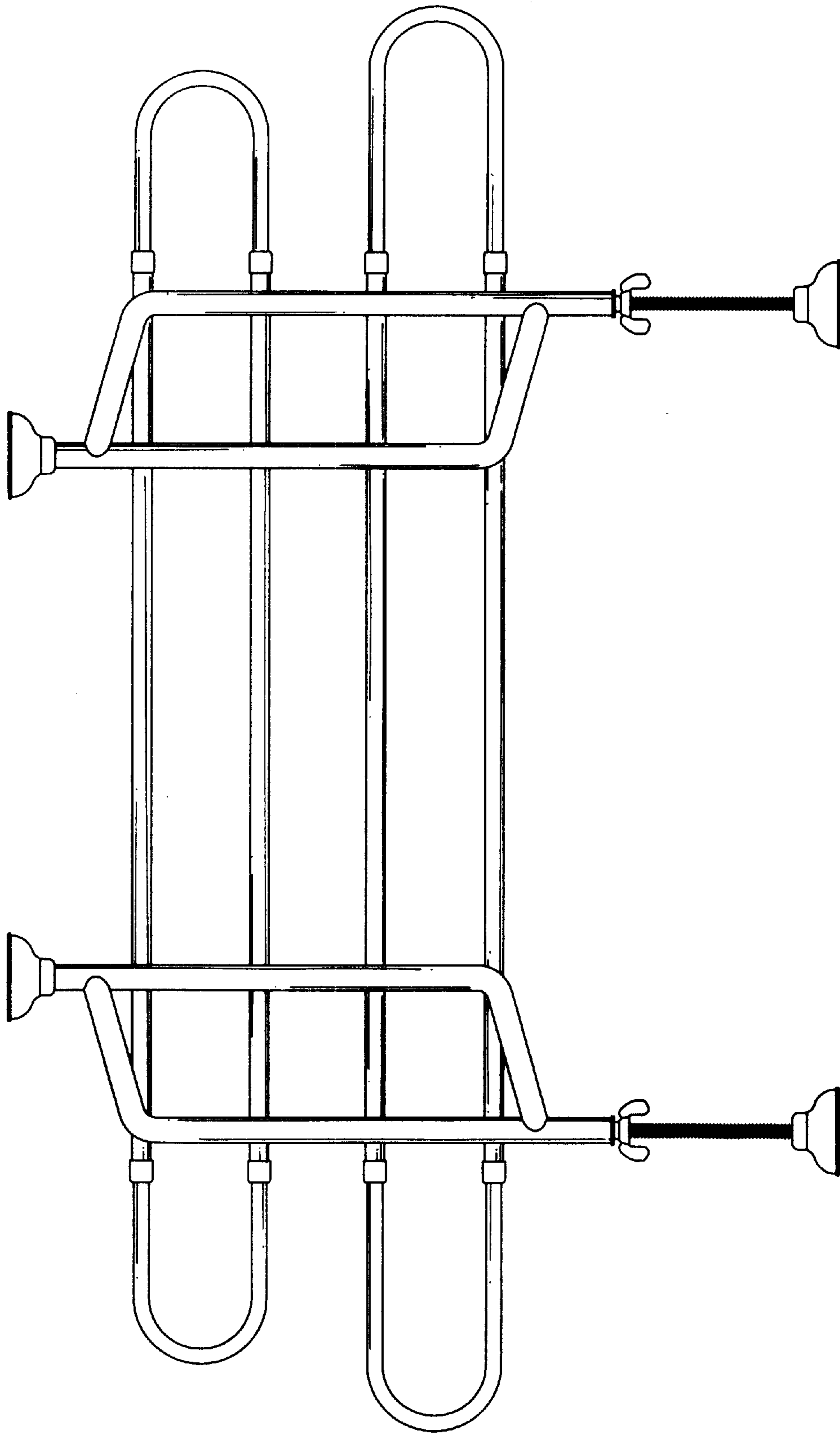


FIG. 2

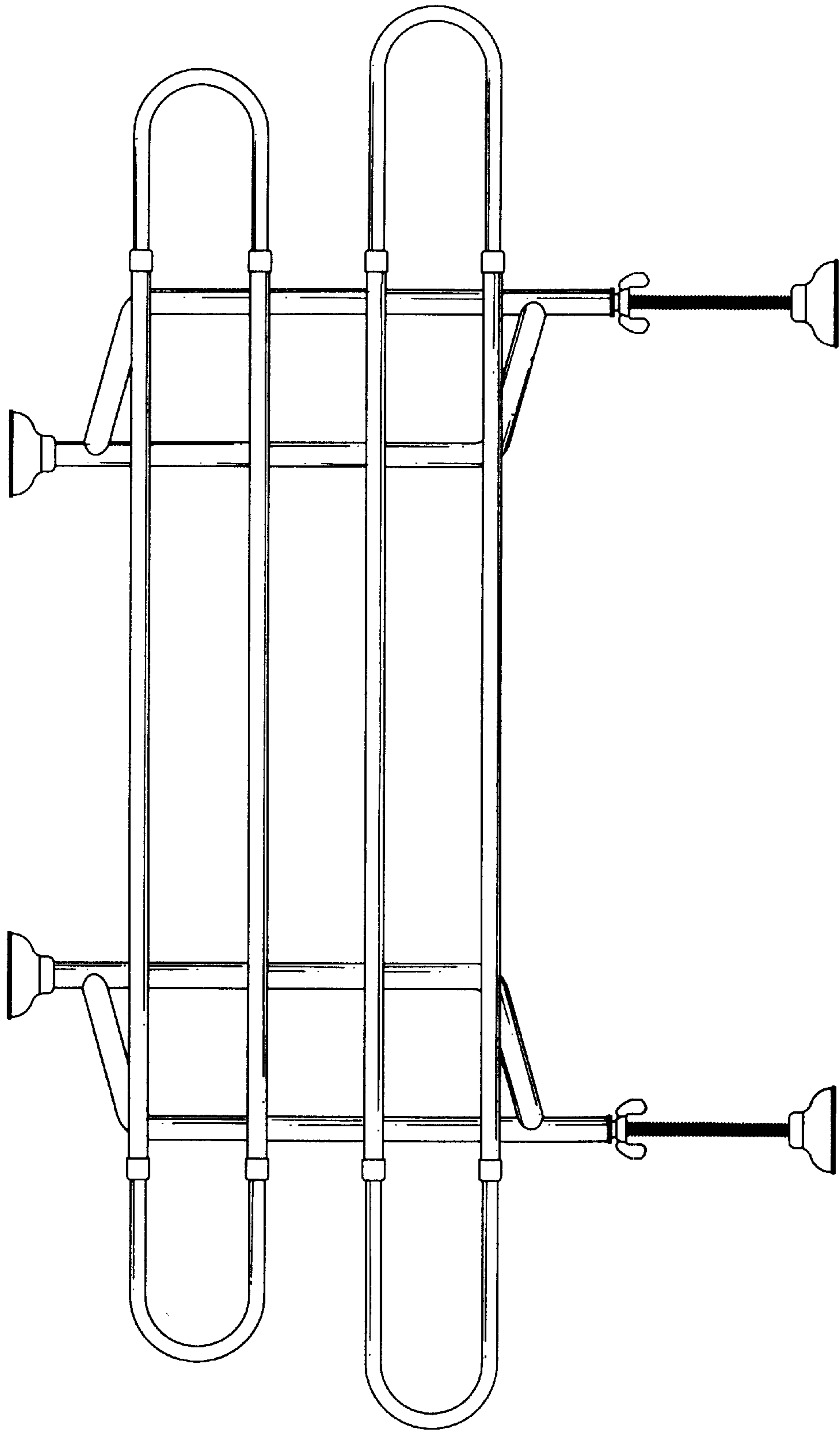


FIG. 3

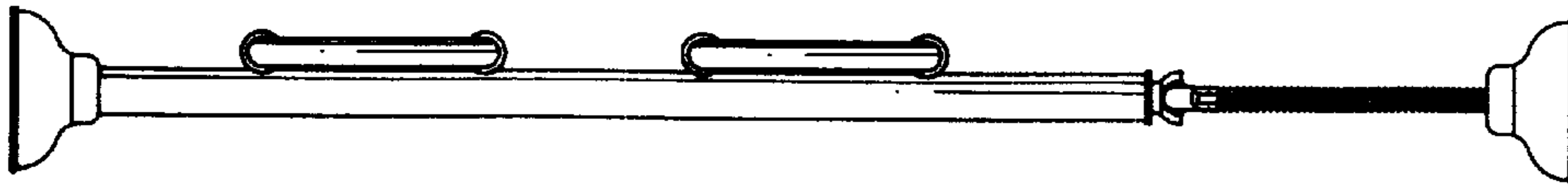


FIG. 5

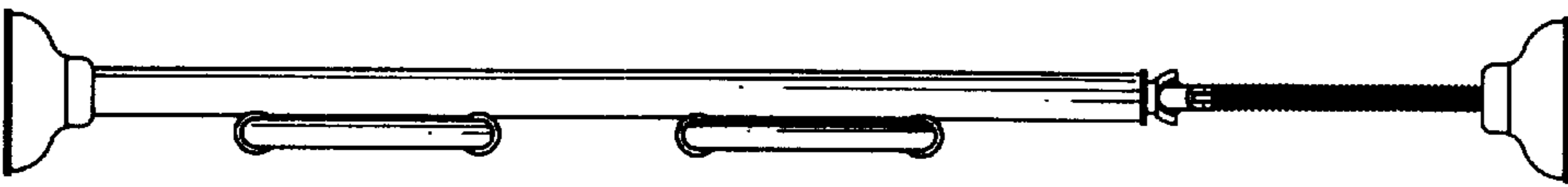


FIG. 4

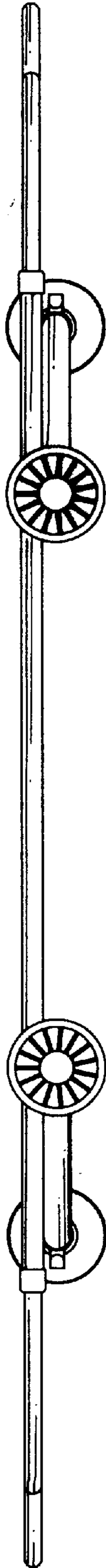


FIG. 6

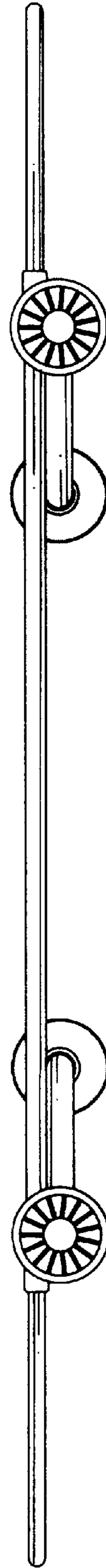


FIG. 7

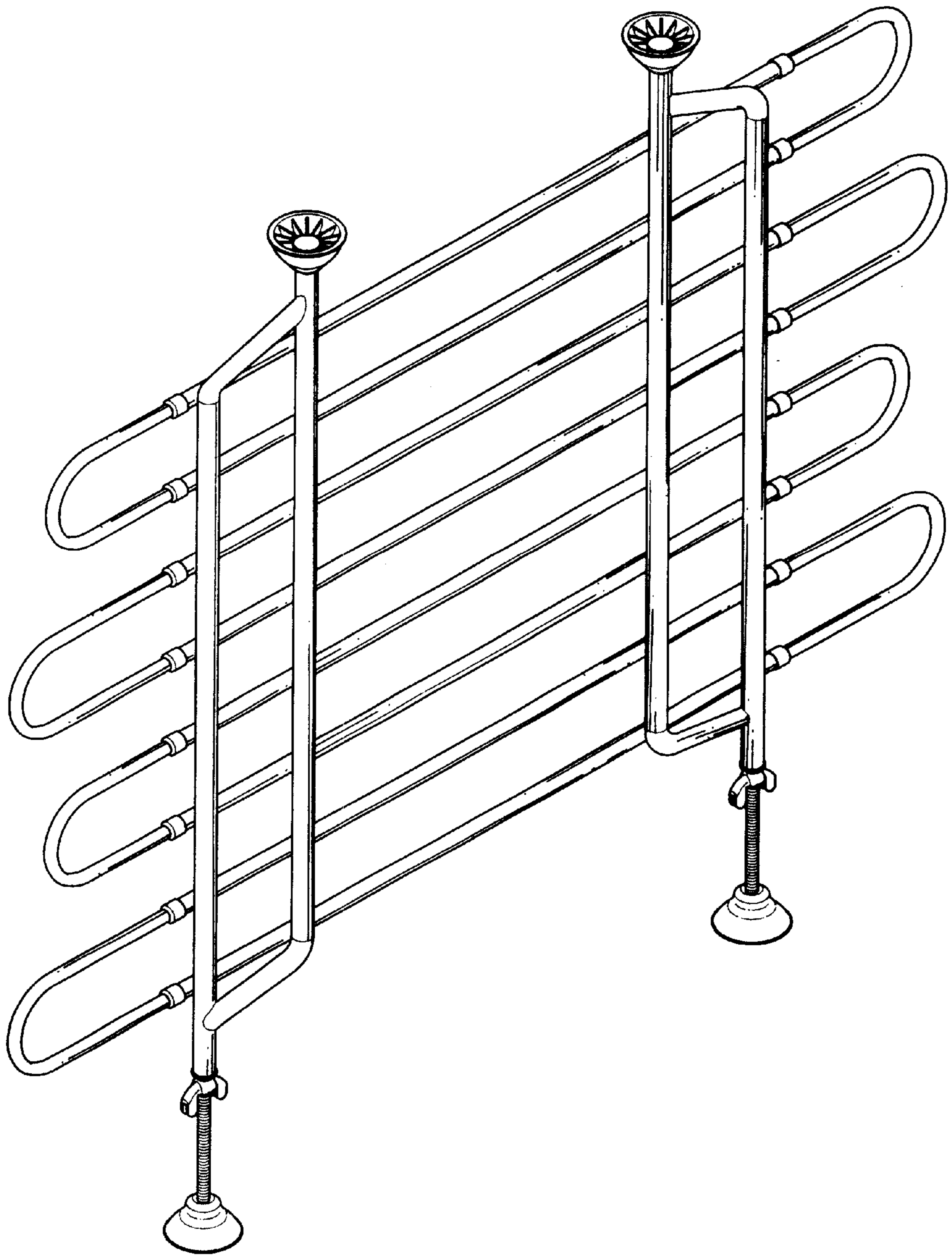


FIG. 8