



US00D473836S

(12) **United States Design Patent**
Laengerer

(10) **Patent No.:** **US D473,836 S**

(45) **Date of Patent:** **** Apr. 29, 2003**

(54) **FRONT FACE OF A VEHICLE WHEEL**

(75) **Inventor:** **Marcus Laengerer, Renningen (DE)**

(73) **Assignee:** **DaimlerChrysler AG, Stuttgart (DE)**

(**) **Term:** **14 Years**

(21) **Appl. No.:** **29/162,932**

(22) **Filed:** **Jun. 25, 2002**

(30) **Foreign Application Priority Data**

Jan. 21, 2002 (DE) 4 02 00 418

(51) **LOC (7) Cl.** **12-16**

(52) **U.S. Cl.** **D12/211**

(58) **Field of Search** D12/204, 211;
301/37.101, 64.101, 65

(56) **References Cited**

U.S. PATENT DOCUMENTS

- D208,542 S * 9/1967 Halibrand D12/211
- D413,853 S * 9/1999 Hale, Jr. D12/211
- D414,454 S * 9/1999 Chung D12/211
- D441,339 S * 5/2001 Hussaini et al. D12/211
- D444,119 S * 6/2001 Brintouch D12/211
- D449,267 S * 10/2001 Fitzgerald D12/211

- D450,649 S * 11/2001 Penzes D12/211
- D457,118 S * 5/2002 Bhambra D12/211
- D457,119 S * 5/2002 Braun et al. D12/211
- D466,851 S * 12/2002 Pfeiffer et al. D12/211

* cited by examiner

Primary Examiner—Stacia Cadmus

(74) *Attorney, Agent, or Firm*—Crowell & Moring LLP

(57) **CLAIM**

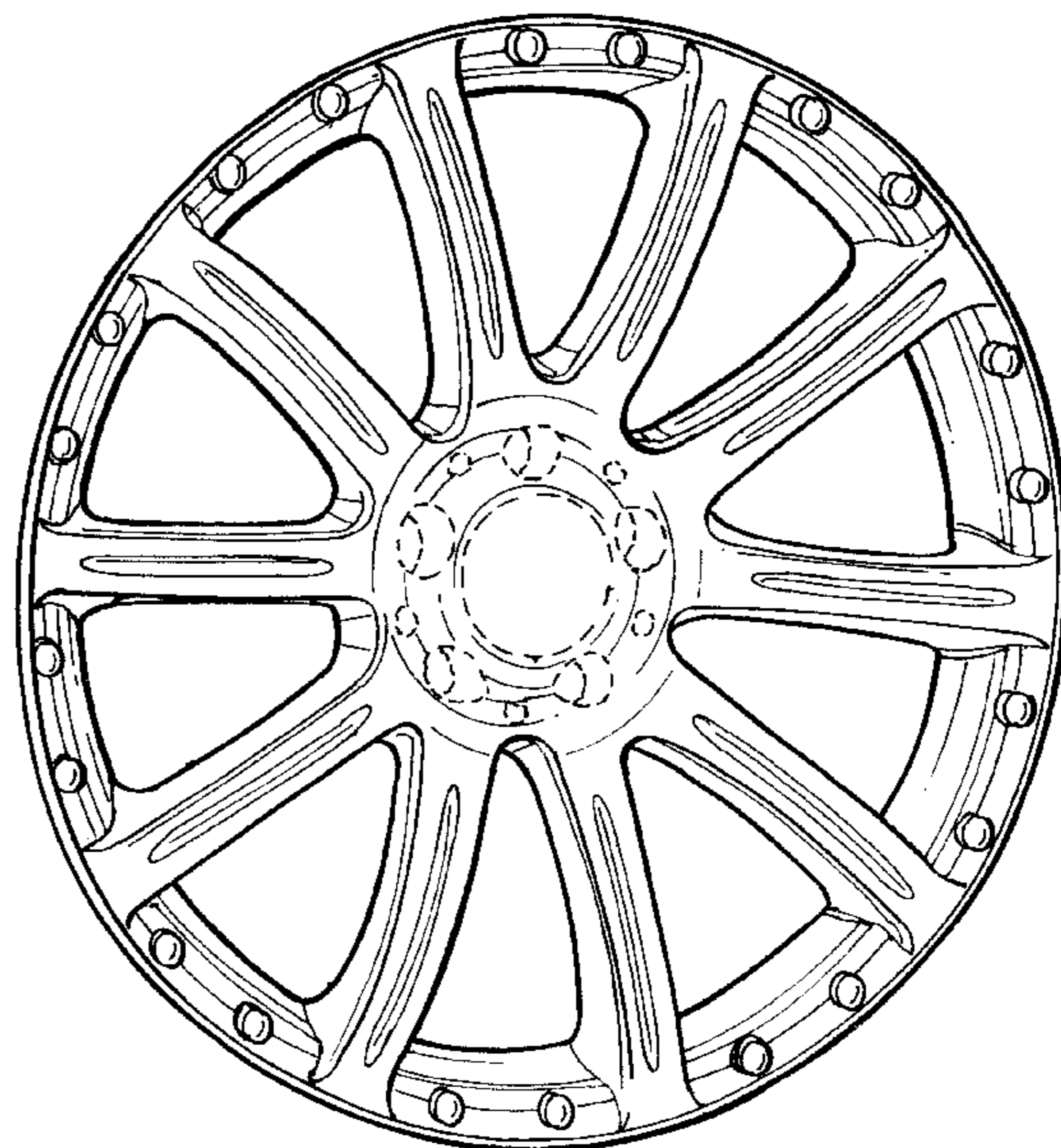
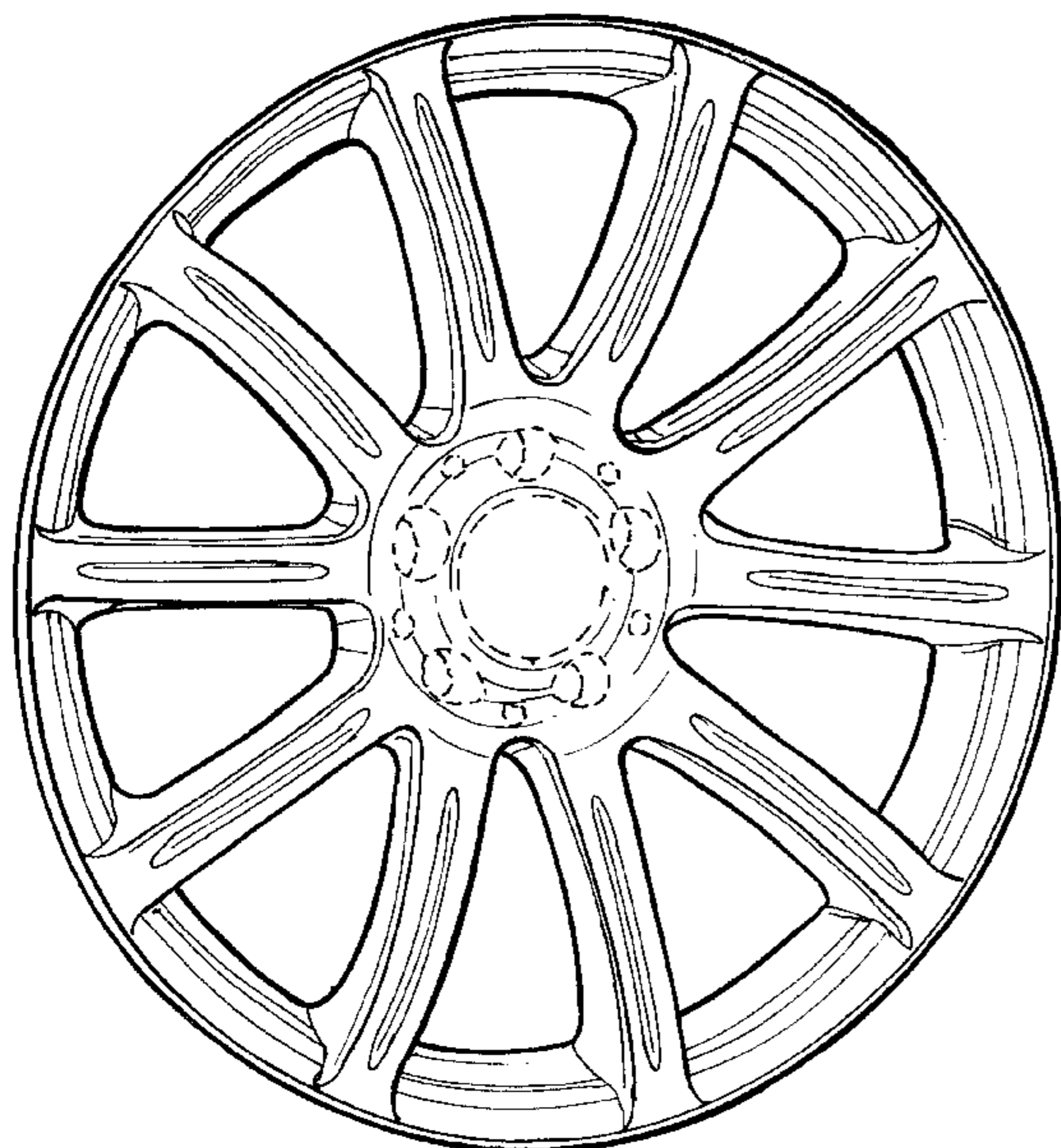
The ornamental design for a front face of a vehicle wheel, as shown and described.

DESCRIPTION

FIG. 1 is a front view of a first embodiment of a front face of a vehicle wheel according to my novel design;
 FIG. 2 is a perspective view of the first embodiment of the front face of a vehicle wheel according to my novel design;
 FIG. 3 is a front view of the second embodiment of a front face of a vehicle wheel according to my novel design; and,
 FIG. 4 is a perspective view of the second embodiment of the front face of a vehicle wheel according to my novel design.

The dash lines included depict environment and are not part of the claimed design.

1 Claim, 2 Drawing Sheets



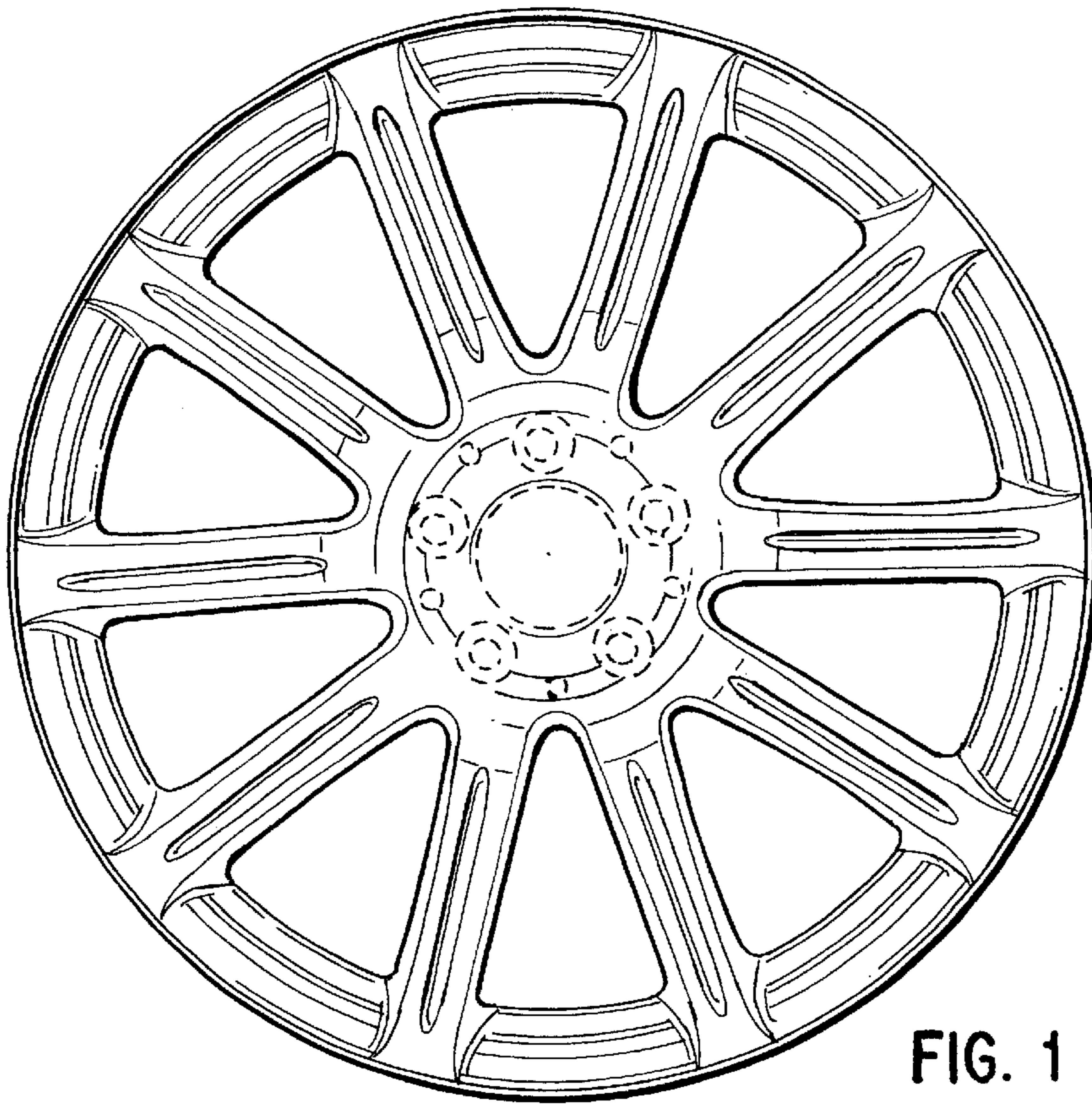


FIG. 1

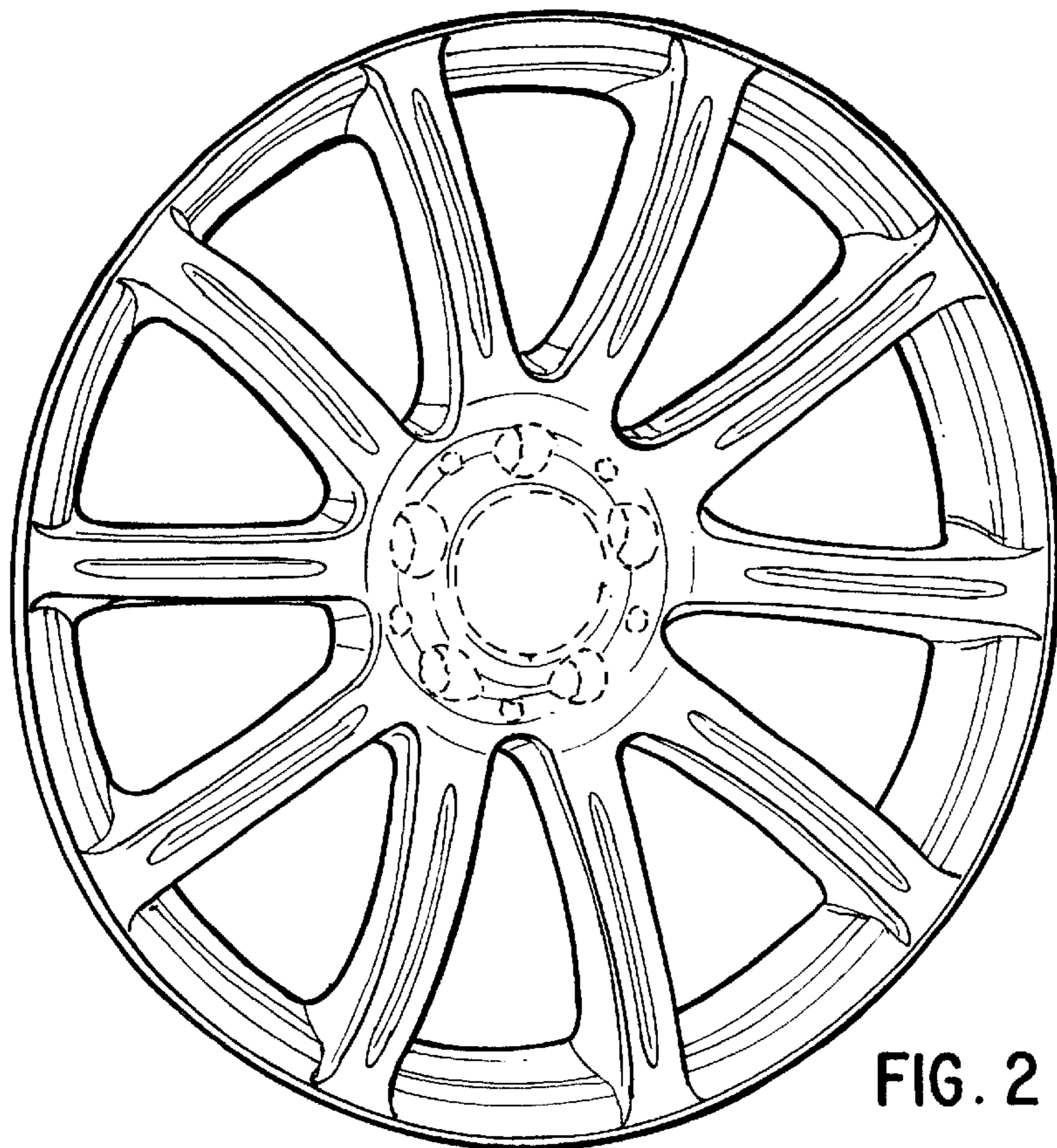


FIG. 2

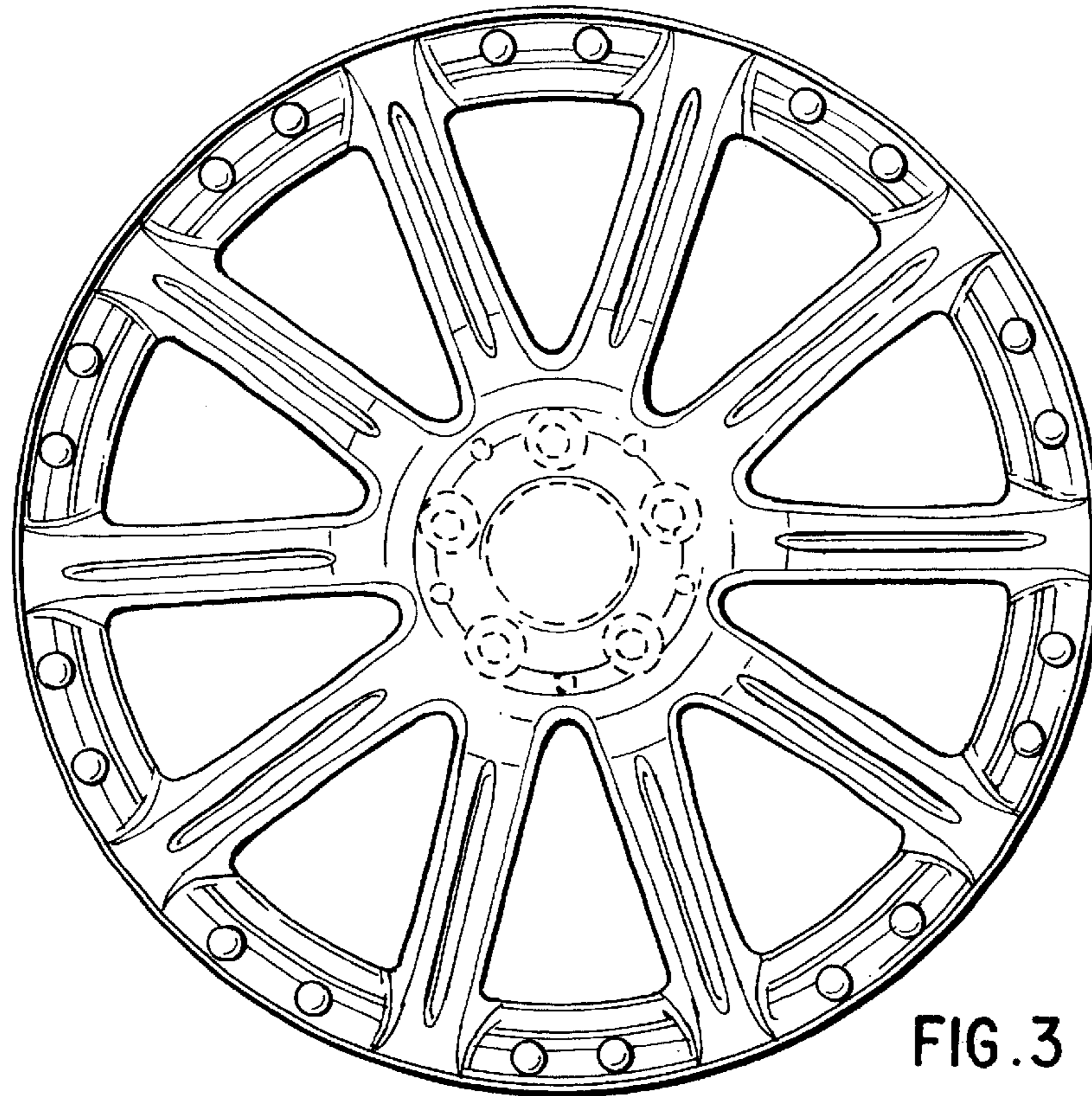


FIG. 3

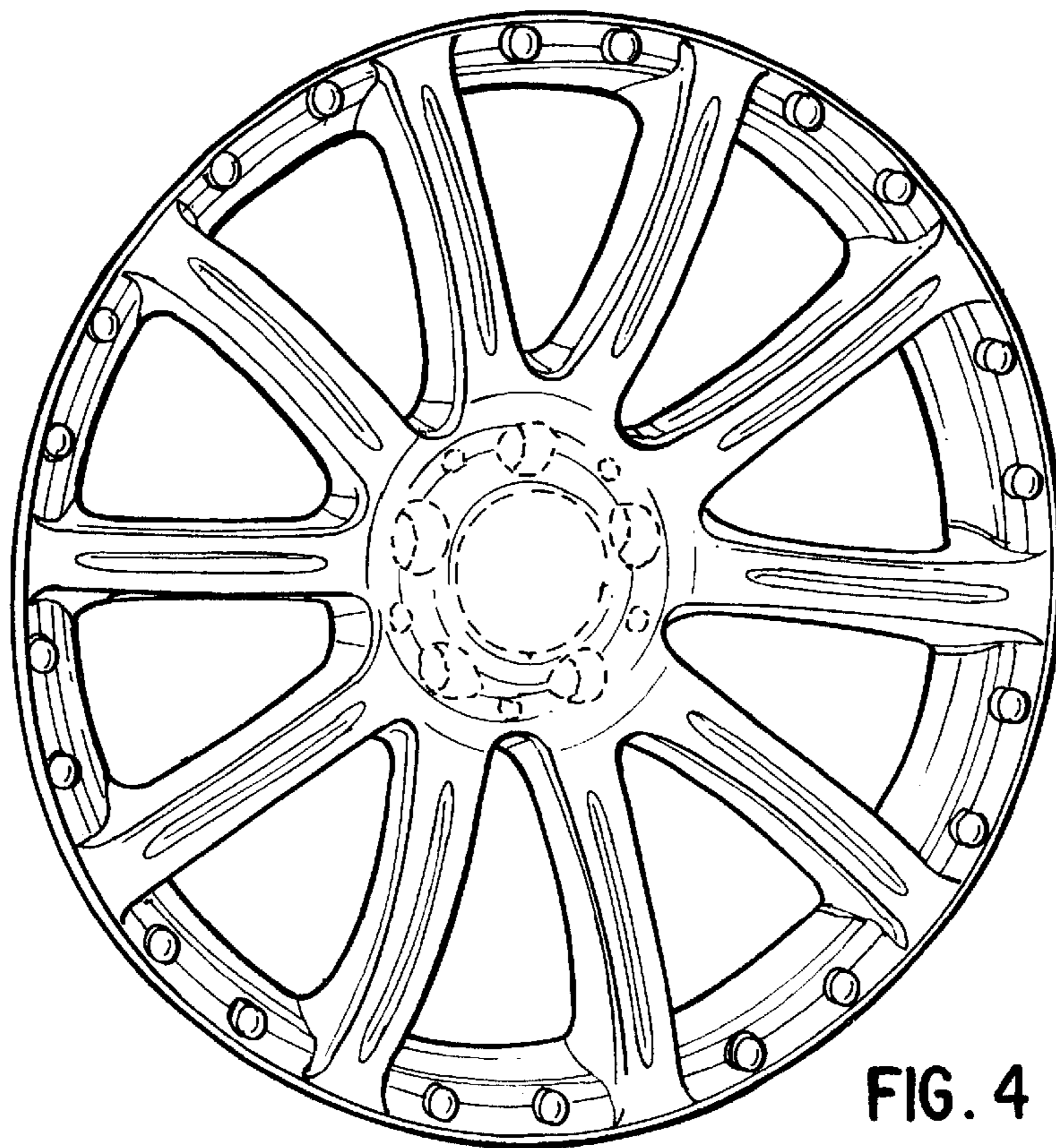


FIG. 4