



US00D473829S

(12) **United States Design Patent**
Hoyle, Jr.

(10) **Patent No.:** **US D473,829 S**

(45) **Date of Patent:** **** Apr. 29, 2003**

(54) **RAM AIR INSERTS FOR A VEHICLE HOOD COWL**

D430,085 S 8/2000 Hoyle, Jr.
D461,434 S * 8/2002 Hoyle, Jr. D12/173
D463,335 S 9/2002 Hoyle, Jr.

(75) Inventor: **Frederick L. Hoyle, Jr.**, Pickerington, OH (US)

* cited by examiner

(73) Assignee: **Reflexion Automotive Products, LLP**, Memphis, TN (US)

Primary Examiner—Melody N. Brown
(74) *Attorney, Agent, or Firm*—Jacobson Holman PLLC

(**) Term: **14 Years**

(57) **CLAIM**

(21) Appl. No.: **29/153,605**

The ornamental design for ram air inserts for a vehicle hood cowl, as shown and described.

(22) Filed: **Jan. 14, 2002**

DESCRIPTION

(51) **LOC (7) Cl.** **12-16**

(52) **U.S. Cl.** **D12/173**

(58) **Field of Search** D12/173, 196,
D12/90-92; 180/69.21, 69.2, 69.22

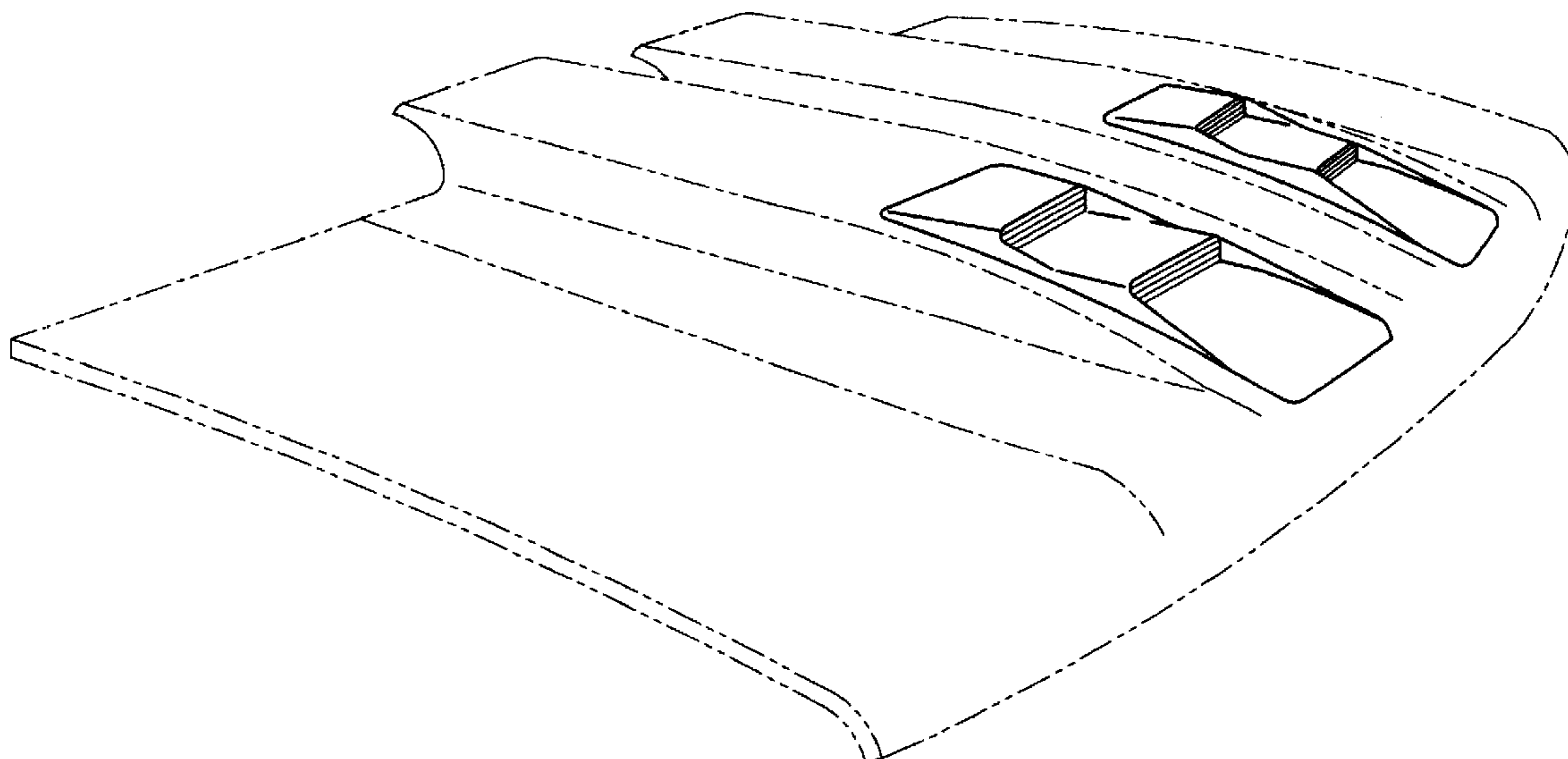
FIG. 1 is a perspective view of ram air inserts for a vehicle hood cowl showing my new design;
FIG. 2 is a top plan view of the ram air inserts for a vehicle hood cowl of FIG. 1;
FIG. 3 is a right side elevational view of a vehicle hood cowl incorporating the ram air inserts of FIG. 1, the left side elevational view being view being a mirror image thereof;
FIG. 4 is a front elevational view of the ram air inserts for a vehicle hood cowl of FIG. 1; and,
FIG. 5 is a rear elevational view of the ram air inserts for a vehicle hood cowl of FIG. 1.
The broken line showing in the Figures is environmental only and forms no part of the claimed design.

(56) **References Cited**

U.S. PATENT DOCUMENTS

- D330,881 S * 11/1992 Masters D12/196
- D342,709 S 12/1993 Cervini
- D386,457 S 11/1997 Wittine
- D391,909 S 3/1998 Wittine
- D403,172 S * 12/1998 Gibson D12/7
- D416,524 S 11/1999 Gabath
- D418,465 S 1/2000 Alfes

1 Claim, 2 Drawing Sheets



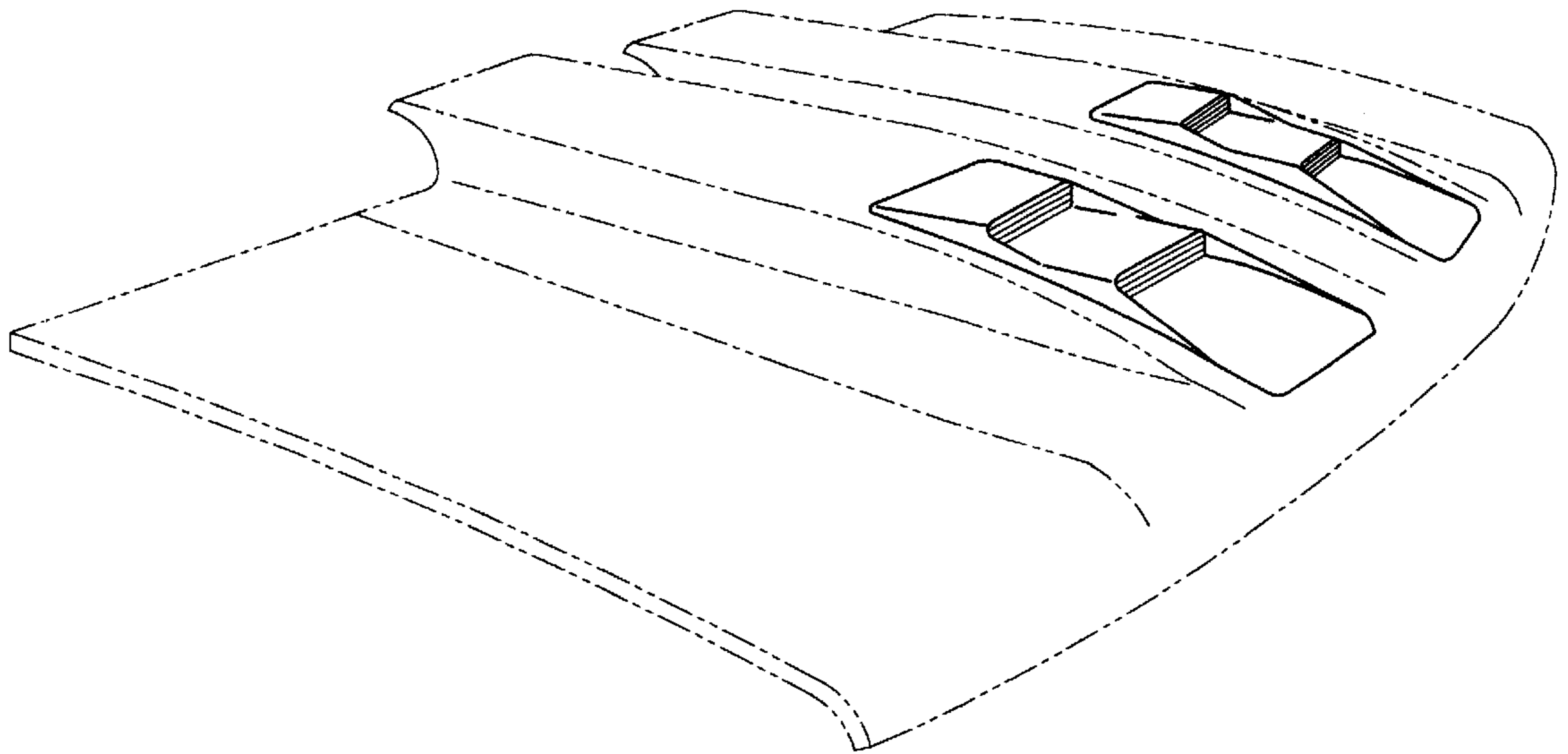


FIG. 1

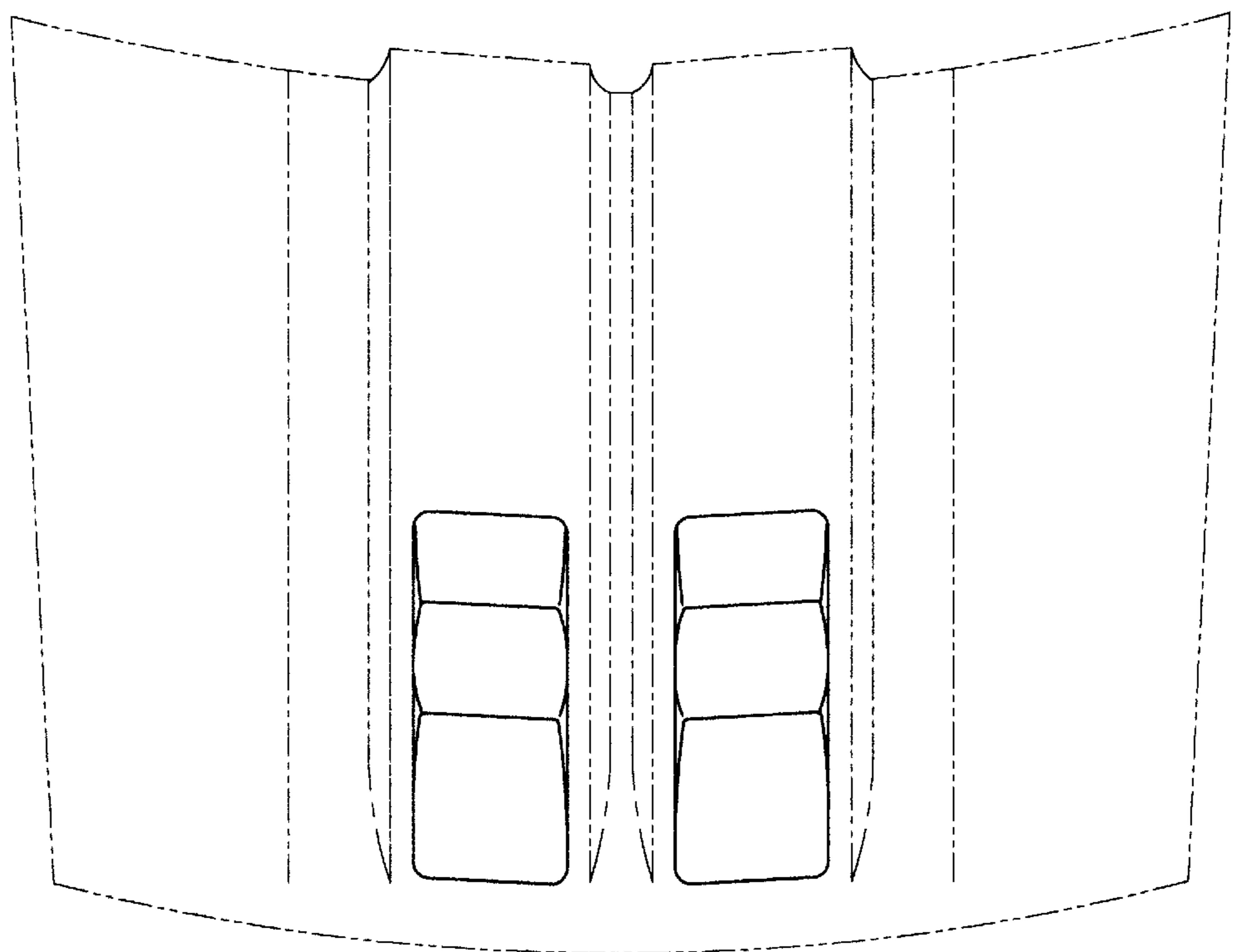


FIG. 2

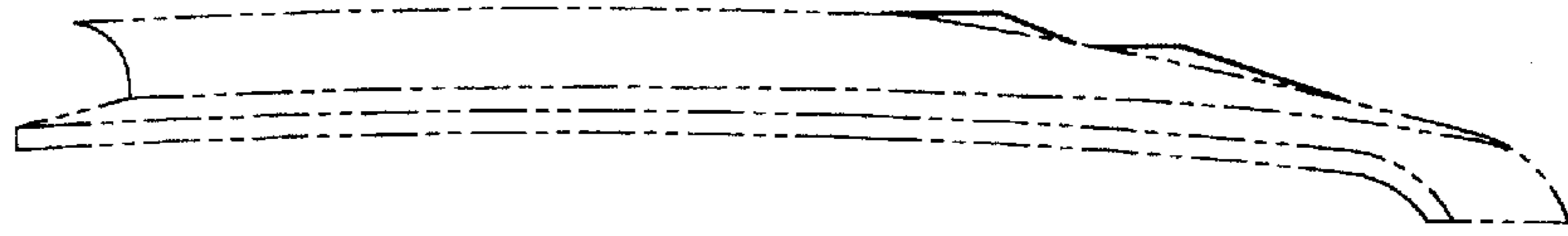


FIG. 3

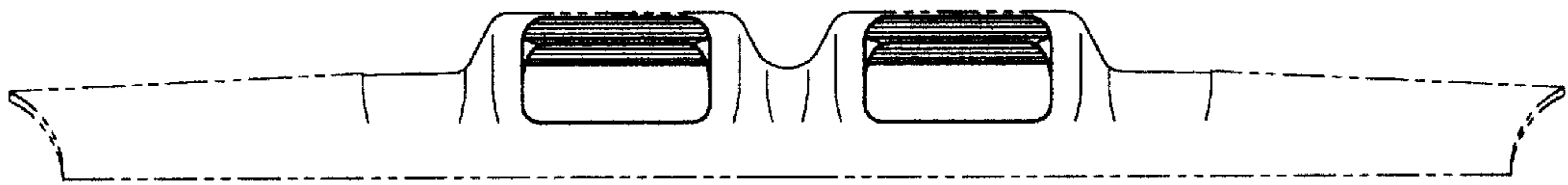


FIG. 4

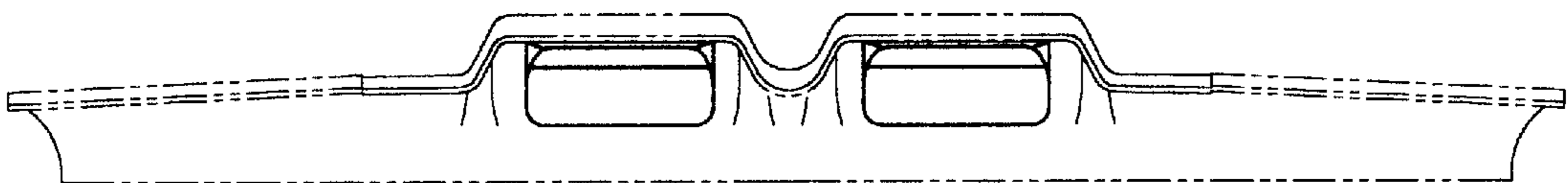


FIG. 5