



US00D473825S

(12) **United States Design Patent**  
**Lessard et al.**

(10) **Patent No.:** **US D473,825 S**  
(45) **Date of Patent:** **\*\* Apr. 29, 2003**

(54) **PORTION OF A VEHICLE**

D327,457 S 6/1992 Saito  
D330,694 S 11/1992 Kimura et al.  
D412,464 S 8/1999 Ichihara et al.

(75) Inventors: **Jesse Blue Lessard**, Redondo Beach, CA (US); **Tetsuya Nakazawa**, Rancho Palos Verdes, CA (US)

*Primary Examiner*—Alan P. Douglas  
*Assistant Examiner*—Linda Brooks  
(74) *Attorney, Agent, or Firm*—Banner & Witcoff, Ltd.

(73) Assignee: **Honda Giken Kogyo Kabushiki Kaisha**, Tokyo (JP)

(57) **CLAIM**

(\*\*) Term: **14 Years**

The ornamental design for a portion of a vehicle, as shown and described.

(21) Appl. No.: **29/160,172**

(22) Filed: **May 7, 2002**

**DESCRIPTION**

**Related U.S. Application Data**

FIG. 1 is a side perspective view of a portion of a vehicle illustrating our design, the opposite side thereof does not form part of the design;

(63) Continuation of application No. 29/129,286, filed on Sep. 8, 2000.

FIG. 2 is a top plan view thereof;

(51) **LOC (7) Cl.** ..... **12-11**

FIG. 3 is a side perspective view thereof, the opposite side being a mirror image;

(52) **U.S. Cl.** ..... **D12/107**

FIG. 4 is an enlarged fragmentary view of the design illustrated in FIG. 2; and,

(58) **Field of Search** ..... D12/86, 107; 180/225, 180/229, 233, 247, 291, 292, 311, 312, 315

FIG. 5 is an enlarged fragmentary view of the design illustrated in FIG. 1.

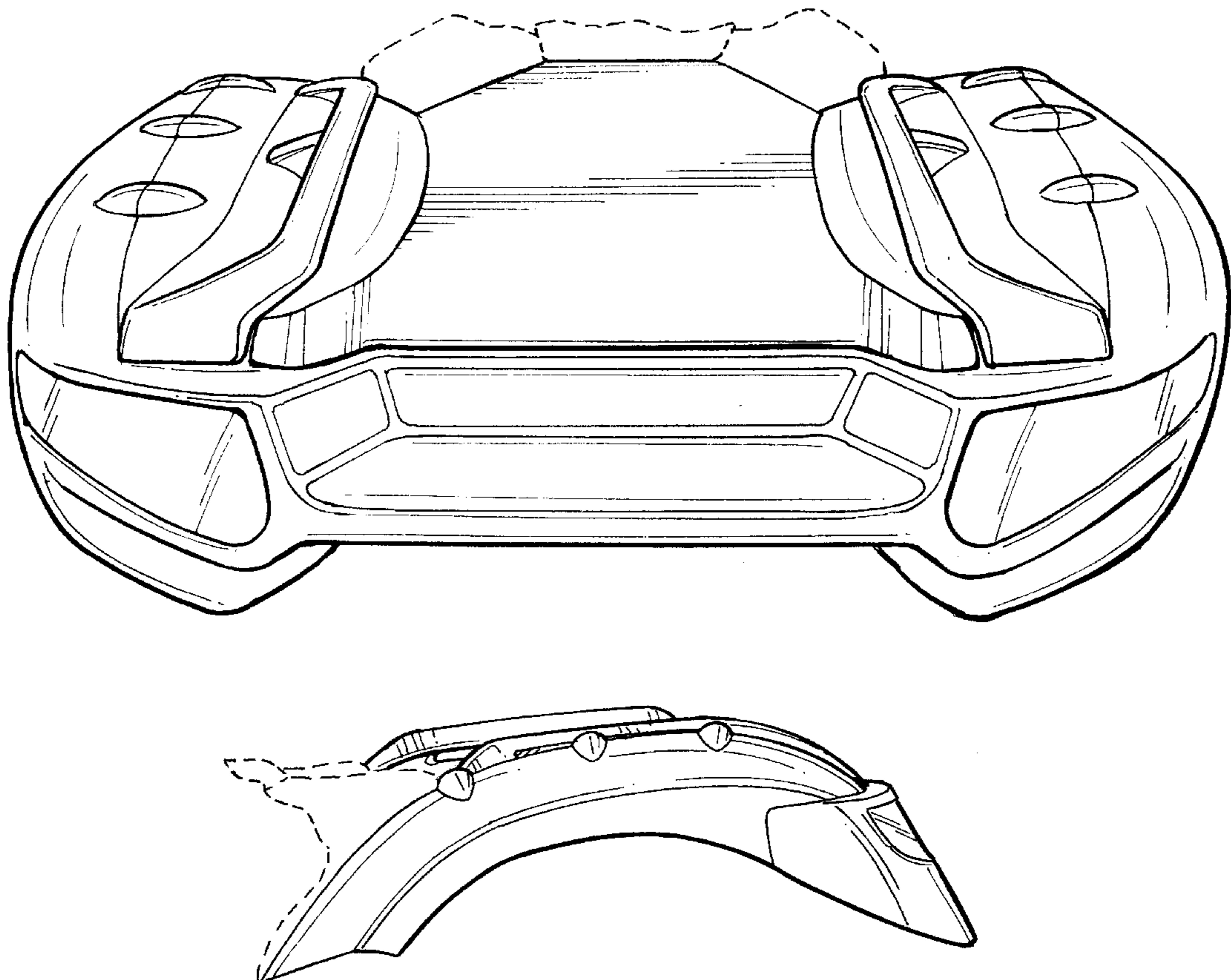
(56) **References Cited**

The portions shown in broken lines are for illustration purposes only and form no part of the claimed design.

**U.S. PATENT DOCUMENTS**

D299,707 S 2/1989 Makita et al.

**1 Claim, 5 Drawing Sheets**



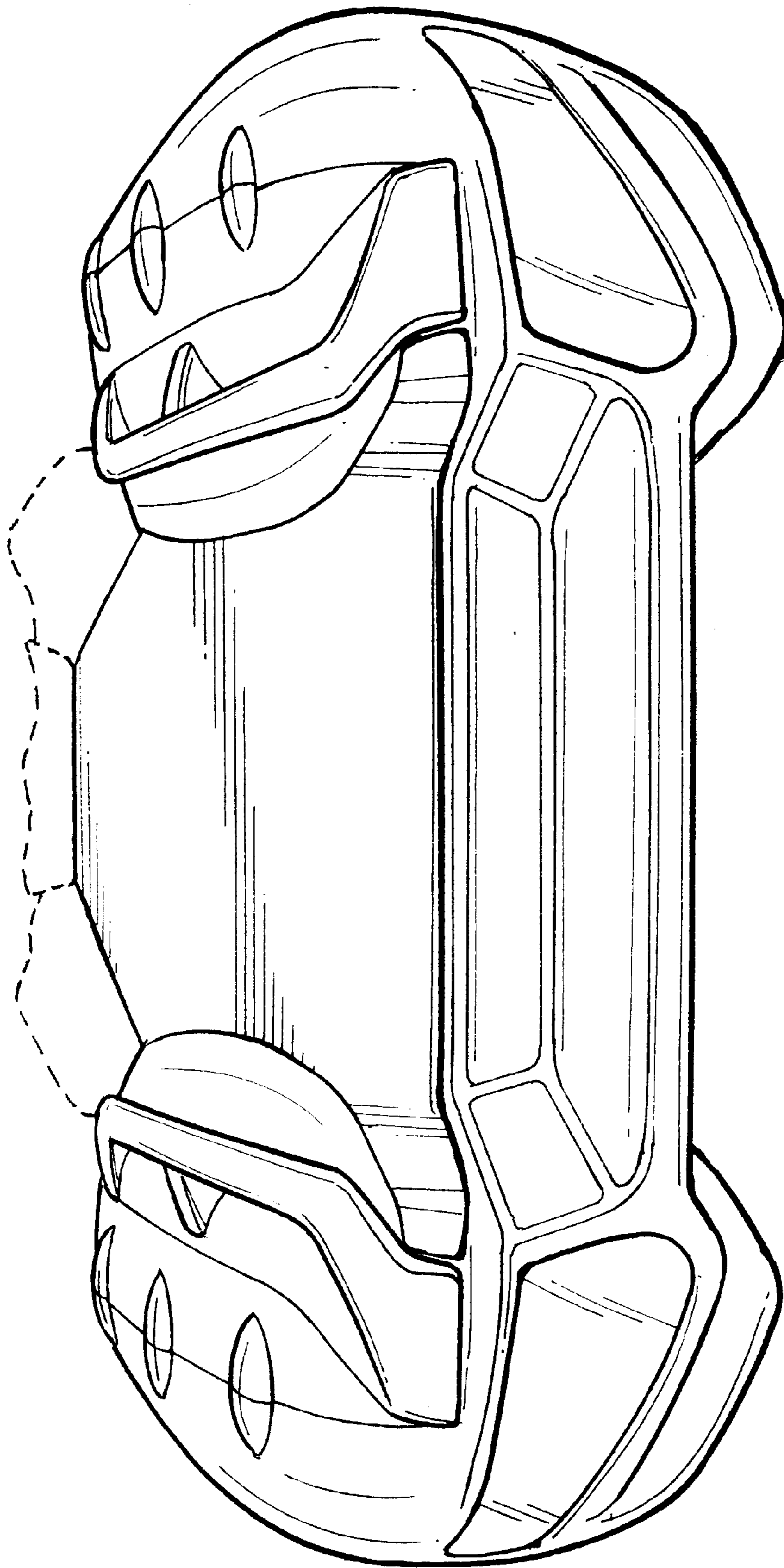


FIG. 1

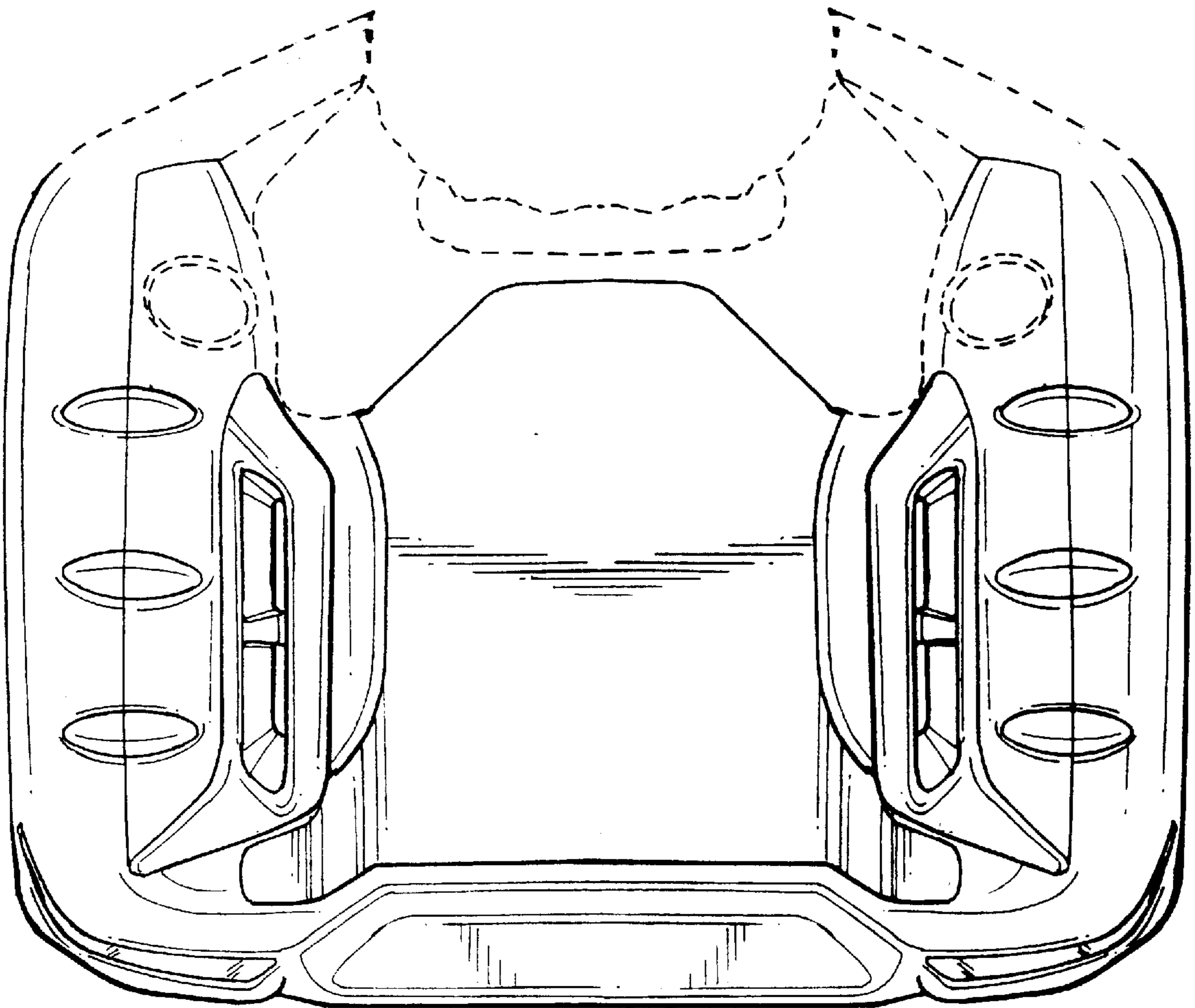


FIG. 2

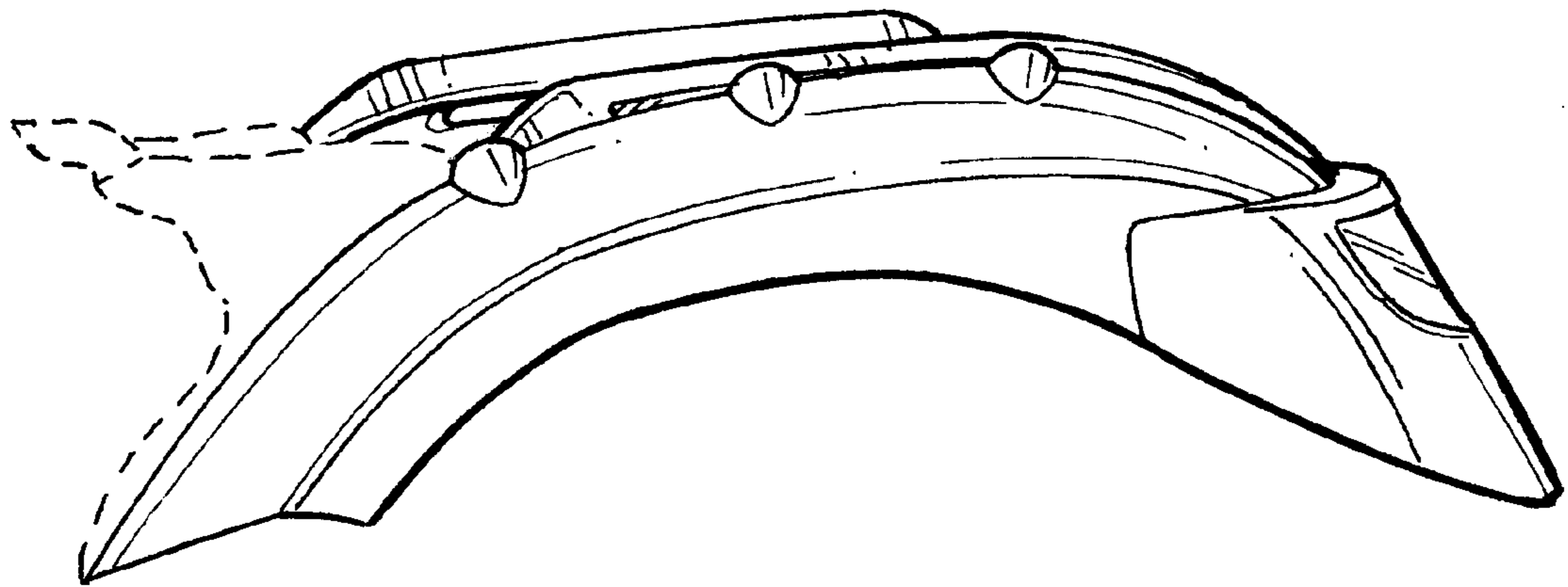


FIG. 3

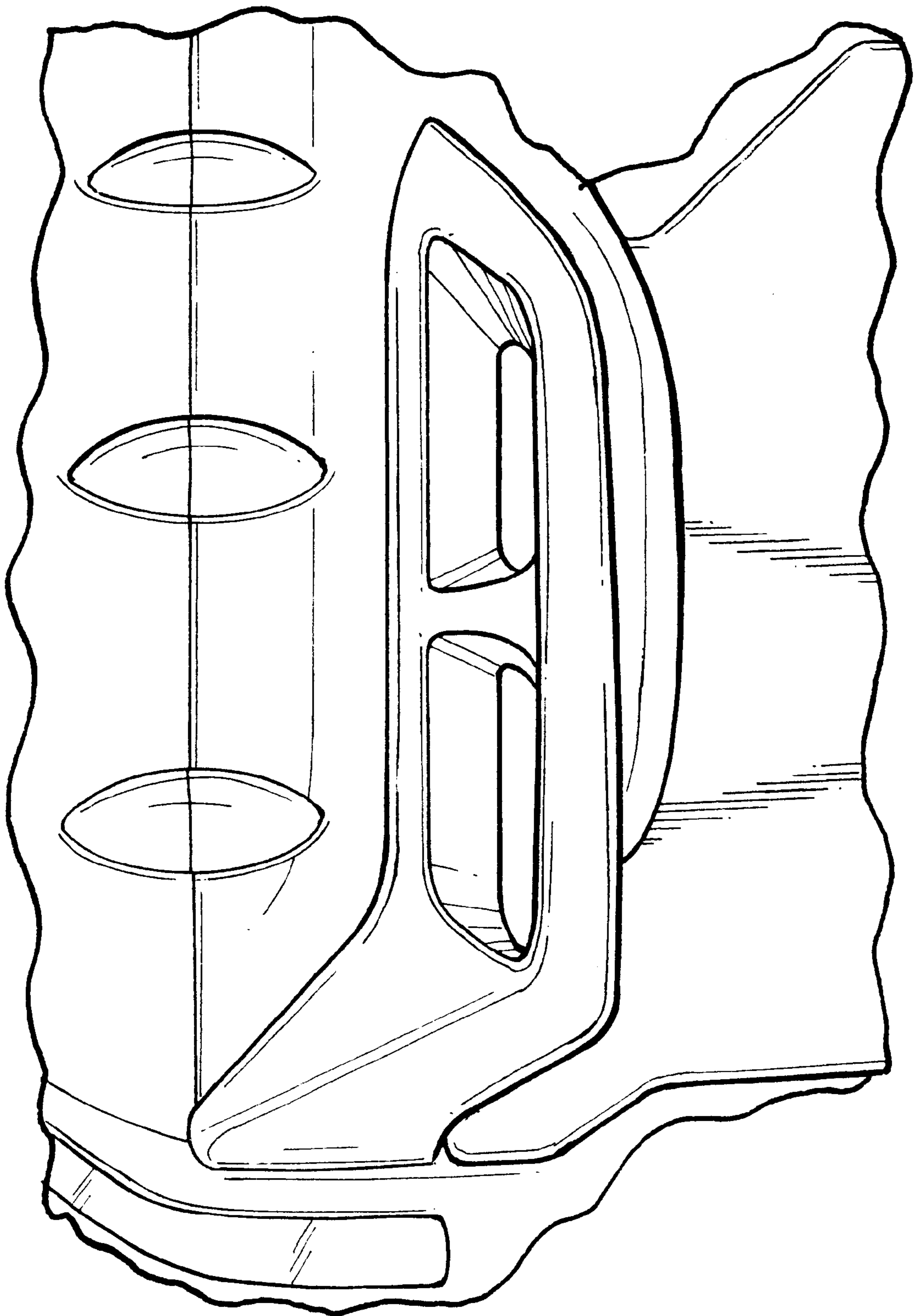


FIG. 4

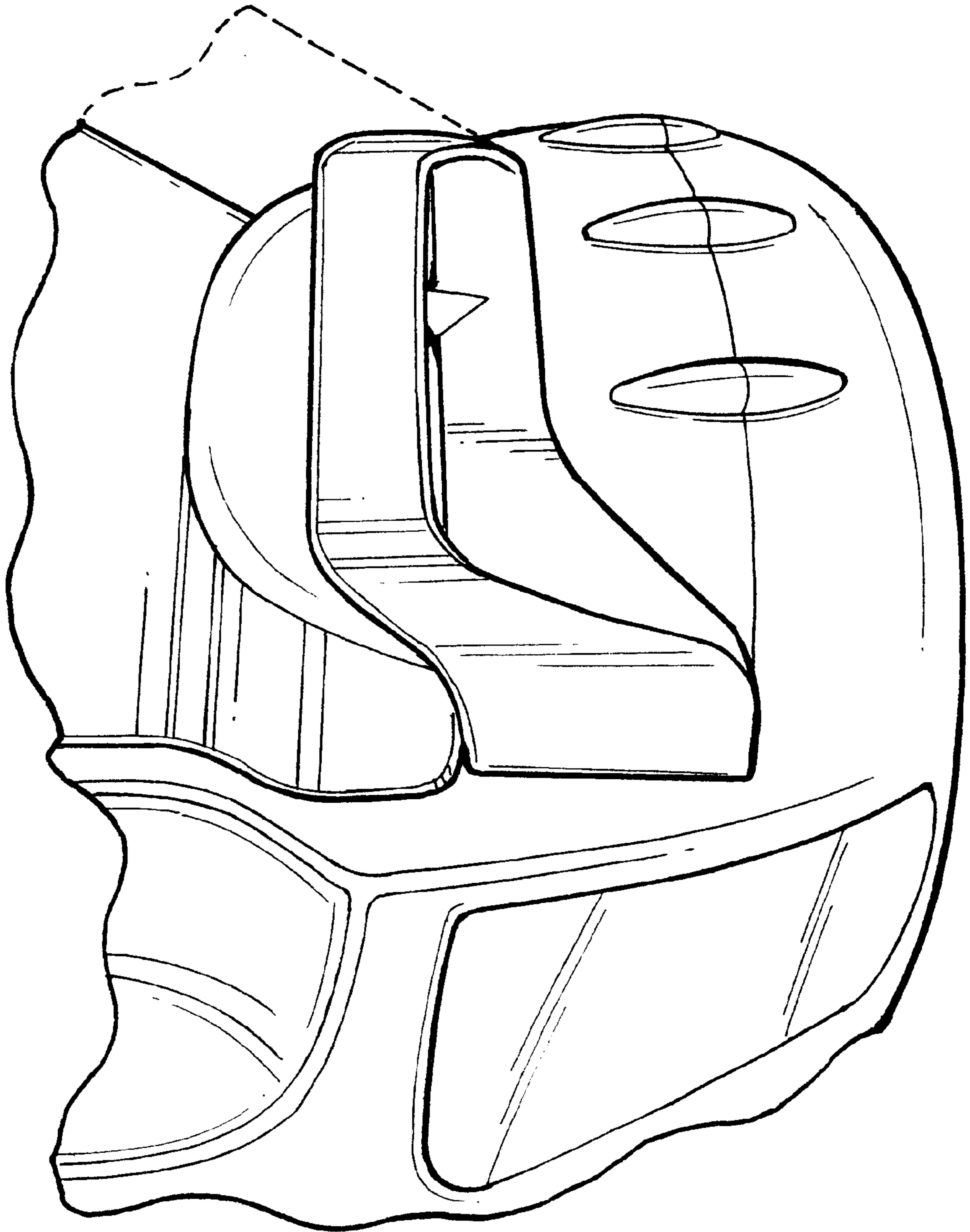


FIG. 5