



US00D473820S

(12) **United States Design Patent**
Ming

(10) **Patent No.:** **US D473,820 S**

(45) **Date of Patent:** **** Apr. 29, 2003**

(54) **SNAP BUTTON RECEIVING PORTION**

3,176,365 A * 4/1965 Carpinella 24/693
4,805,272 A * 2/1989 Yamaguchi 24/623

(75) **Inventor:** **Choi Chi Ming**, Tuen Mun (HK)

* cited by examiner

(73) **Assignee:** **Ching Fung Apparel Accessories Co., Ltd.**, Kowloon (HK)

Primary Examiner—Louis S. Zarfes
Assistant Examiner—Gregory Andoll

(**) **Term:** **14 Years**

(74) *Attorney, Agent, or Firm*—SEED IP Law Group PLLC

(21) **Appl. No.:** **29/158,368**

(57) **CLAIM**

(22) **Filed:** **Apr. 2, 2002**

The ornamental design for a snap button receiving portion, as shown and described.

(51) **LOC (7) Cl.** **02-07**

DESCRIPTION

(52) **U.S. Cl.** **D11/220**

FIG. 1 is a perspective view of a snap button receiving portion showing my new design.

(58) **Field of Search** D11/200, 220;
24/113 R, 113 MP, 114.9, 662-681, 623,
693

FIG. 2 is a top plan view thereof.

FIG. 3 is a side view thereof; and,

FIG. 4 is a side view thereof rotated 30 degrees from the position of FIG. 3.

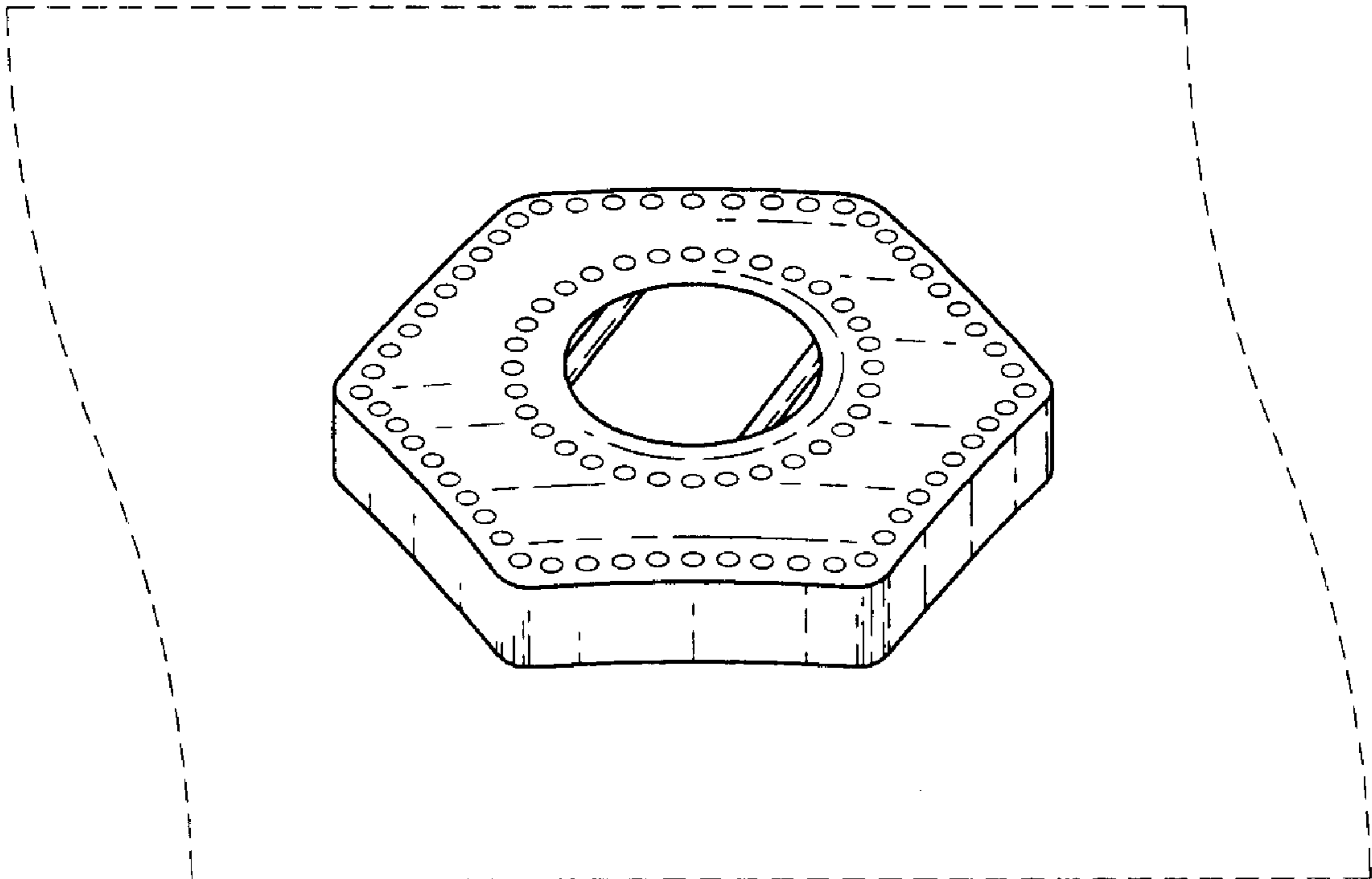
(56) **References Cited**

The broken lines are for illustrative purposes only and form no part of the claimed design.

U.S. PATENT DOCUMENTS

1,719,904 A * 7/1929 Sauer 24/114.4
D93,604 S * 10/1934 Dill D11/220

1 Claim, 2 Drawing Sheets



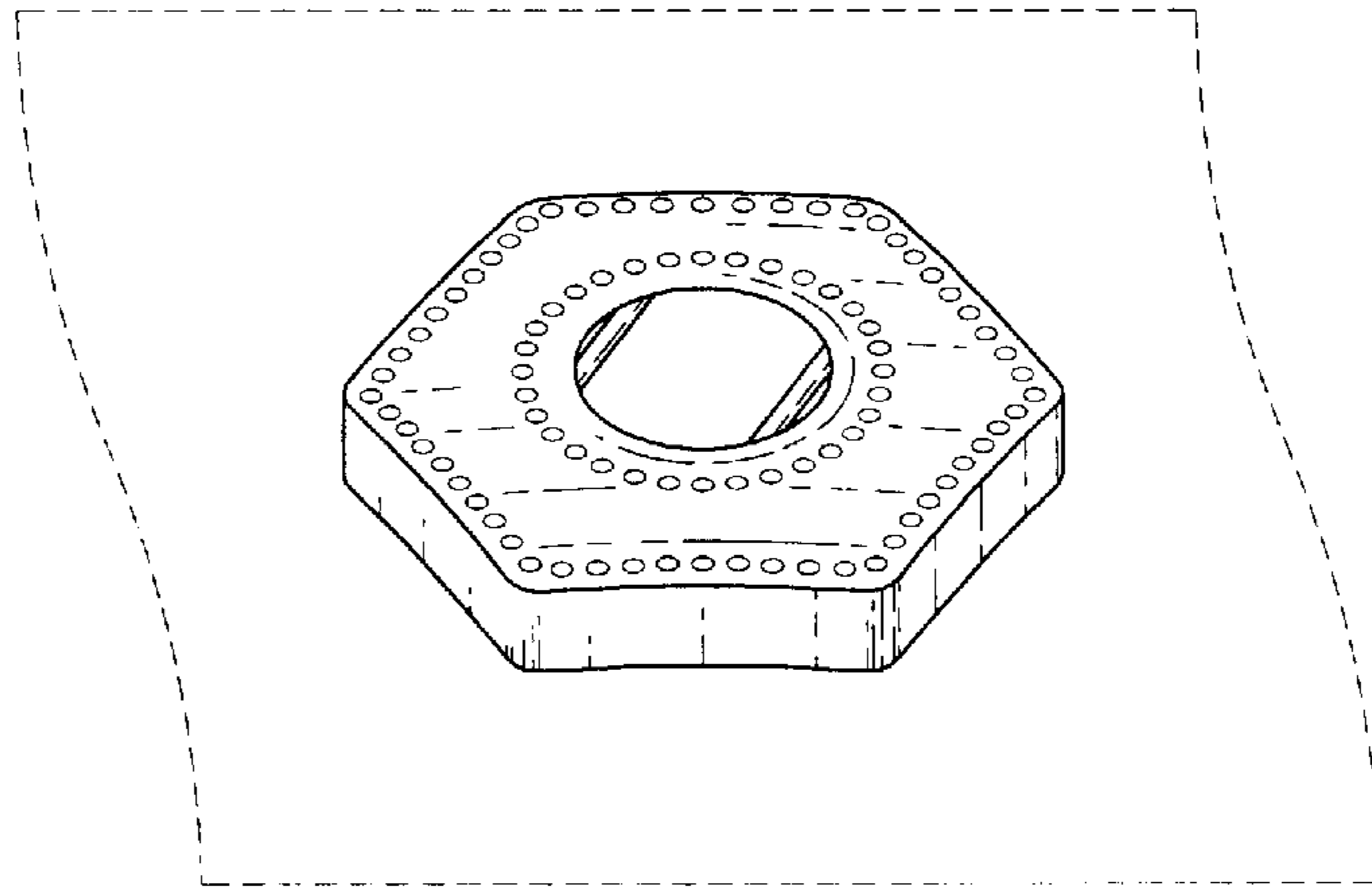


Fig. 1

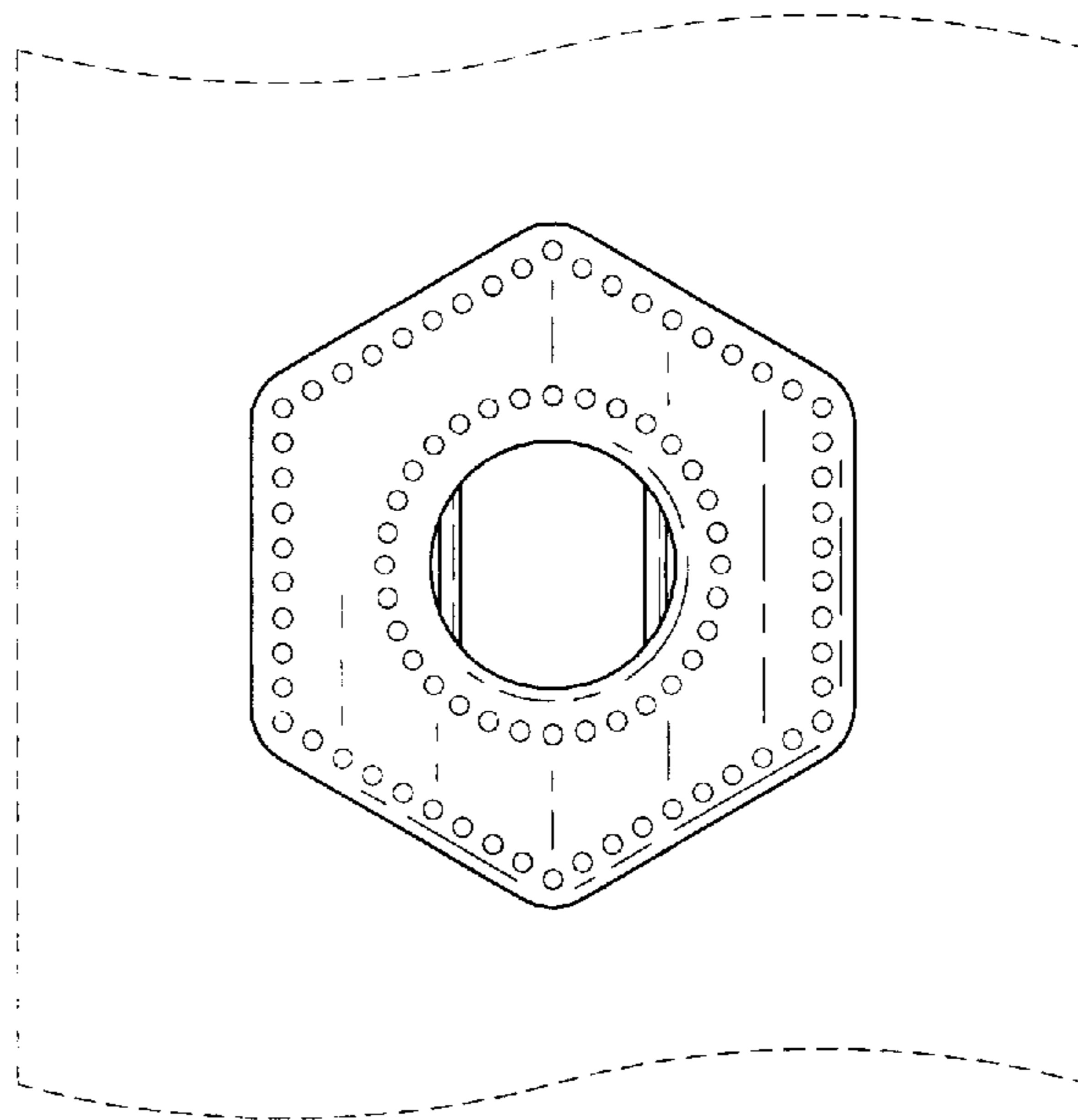


Fig. 2

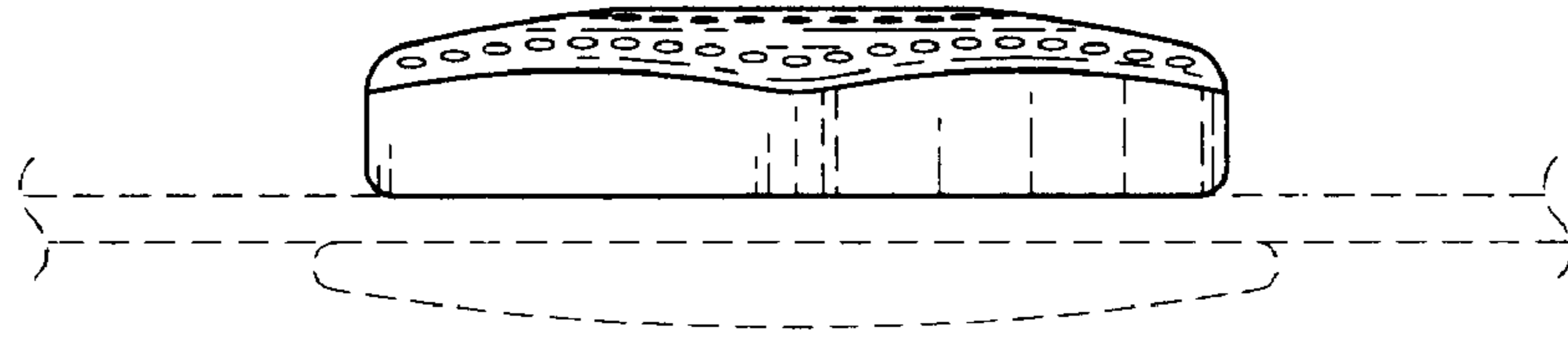


Fig. 3

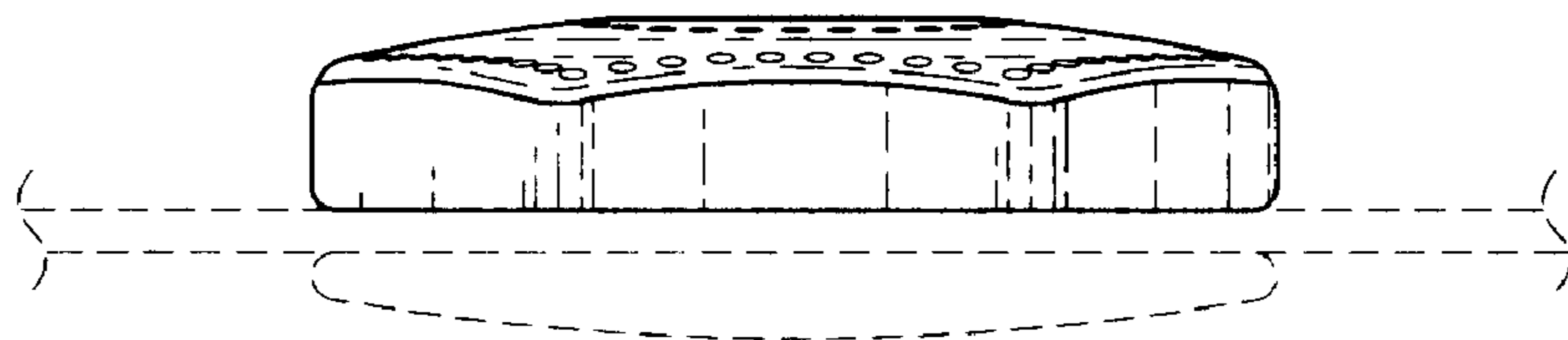


Fig. 4

UNITED STATES PATENT AND TRADEMARK OFFICE
CERTIFICATE OF CORRECTION

PATENT NO. : Des. 473,820 S
DATED : April 29, 2003
INVENTOR(S) : Chi Ming Choi

Page 1 of 1

It is certified that error appears in the above-identified patent and that said Letters Patent is hereby corrected as shown below:

Title page,

Item [12], "**Ming**" and "**Choi Chi Ming**" should read -- **Choi** -- and -- **Chi Ming Choi** --.

Item [75], Inventors, "**Ming**" and "**Choi Chi Ming**" should read -- **Choi** -- and -- **Chi Ming Choi** --.

Signed and Sealed this

Twelfth Day of October, 2004

A handwritten signature in black ink, reading "Jon W. Dudas". The signature is written in a cursive style with a large, looped initial "J".

JON W. DUDAS
Director of the United States Patent and Trademark Office