



US00D473818S

(12) **United States Design Patent**
Salvisberg

(10) **Patent No.:** **US D473,818 S**

(45) **Date of Patent:** **** *Apr. 29, 2003**

(54) **WATCH BRACELET ATTACHMENT**

(75) **Inventor:** **Raoul Salvisberg**, Villmergen (CH)

(73) **Assignee:** **Swatch AG (Swatch SA) (Swatch Ltd.)**, Bienne (CH)

(*) **Notice:** This patent is subject to a terminal disclaimer.

(**) **Term:** **14 Years**

(21) **Appl. No.:** **29/104,941**

(22) **Filed:** **May 14, 1999**

(30) **Foreign Application Priority Data**

Dec. 11, 1998 (XH) DM/046 137

(51) **LOC (7) Cl.** **11-01**

(52) **U.S. Cl.** **D11/93**

(58) **Field of Search** D11/93, 94; D10/128, D10/32, 30

(56) **References Cited**

U.S. PATENT DOCUMENTS

- D310,051 S * 8/1990 Bulgari D11/93
- D328,041 S * 7/1992 Cowan D11/93
- D382,504 S * 8/1997 Strasser D11/12

OTHER PUBLICATIONS

Swatch Catalog, Freeride SHN 101 S/L, Fall/Winter 1999, p. 50.*

* cited by examiner

Primary Examiner—Catherine R. Oliver
(74) *Attorney, Agent, or Firm*—Collen IP; R. M. McDermott

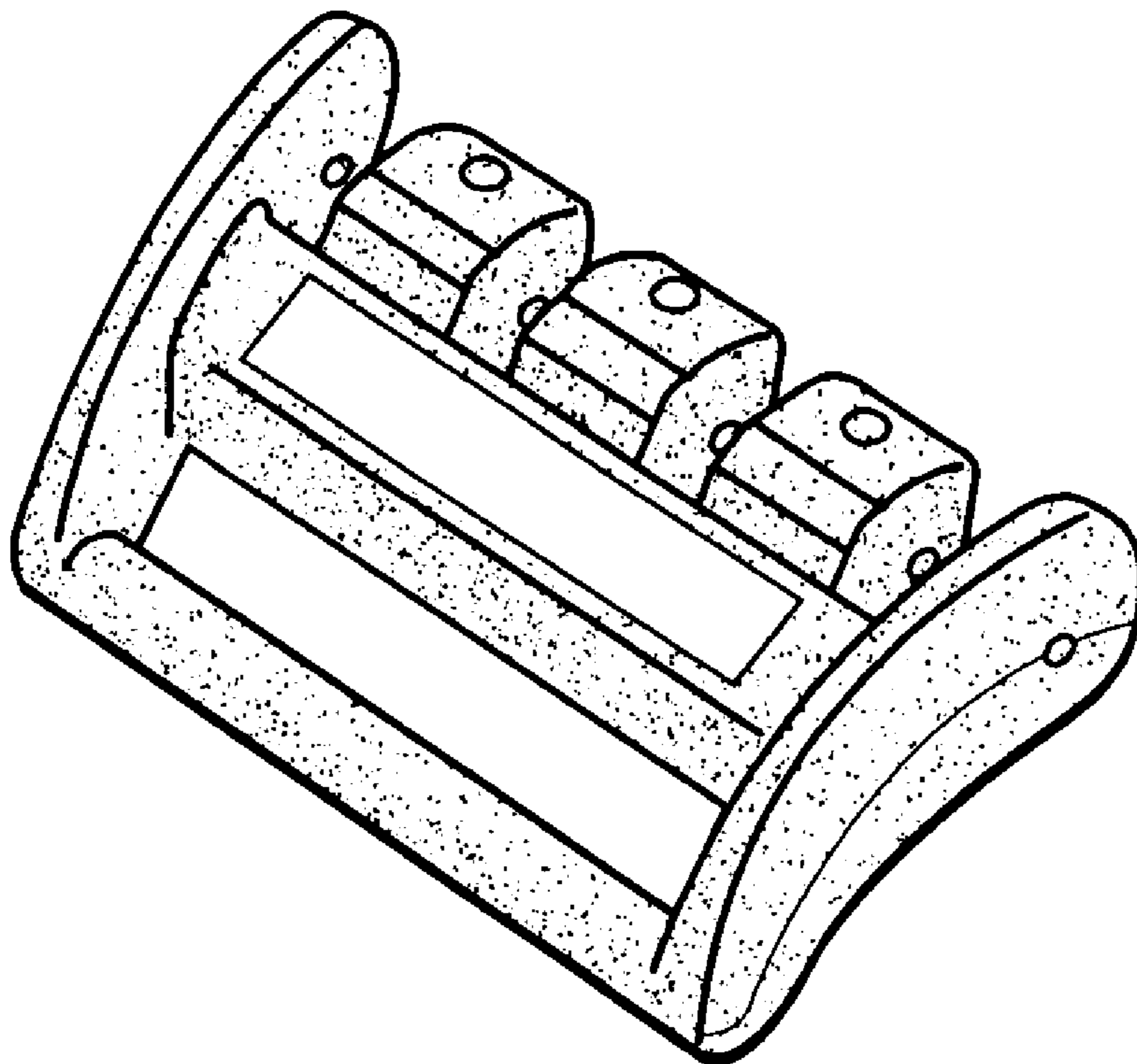
(57) **CLAIM**

The ornamental design for a watch bracelet attachment, as shown and described.

DESCRIPTION

FIG. 1 is a top view of my new and ornamental design for a watch bracelet attachment;
FIG. 2 is a bottom view thereof;
FIG. 3 is a front view thereof;
FIG. 4 is a rear view thereof;
FIG. 5 is a left side view thereof;
FIG. 6 is a right side view thereof; and,
FIG. 7 is a front perspective view thereof.
The rectangular box area forms no part of the claimed design.

1 Claim, 4 Drawing Sheets



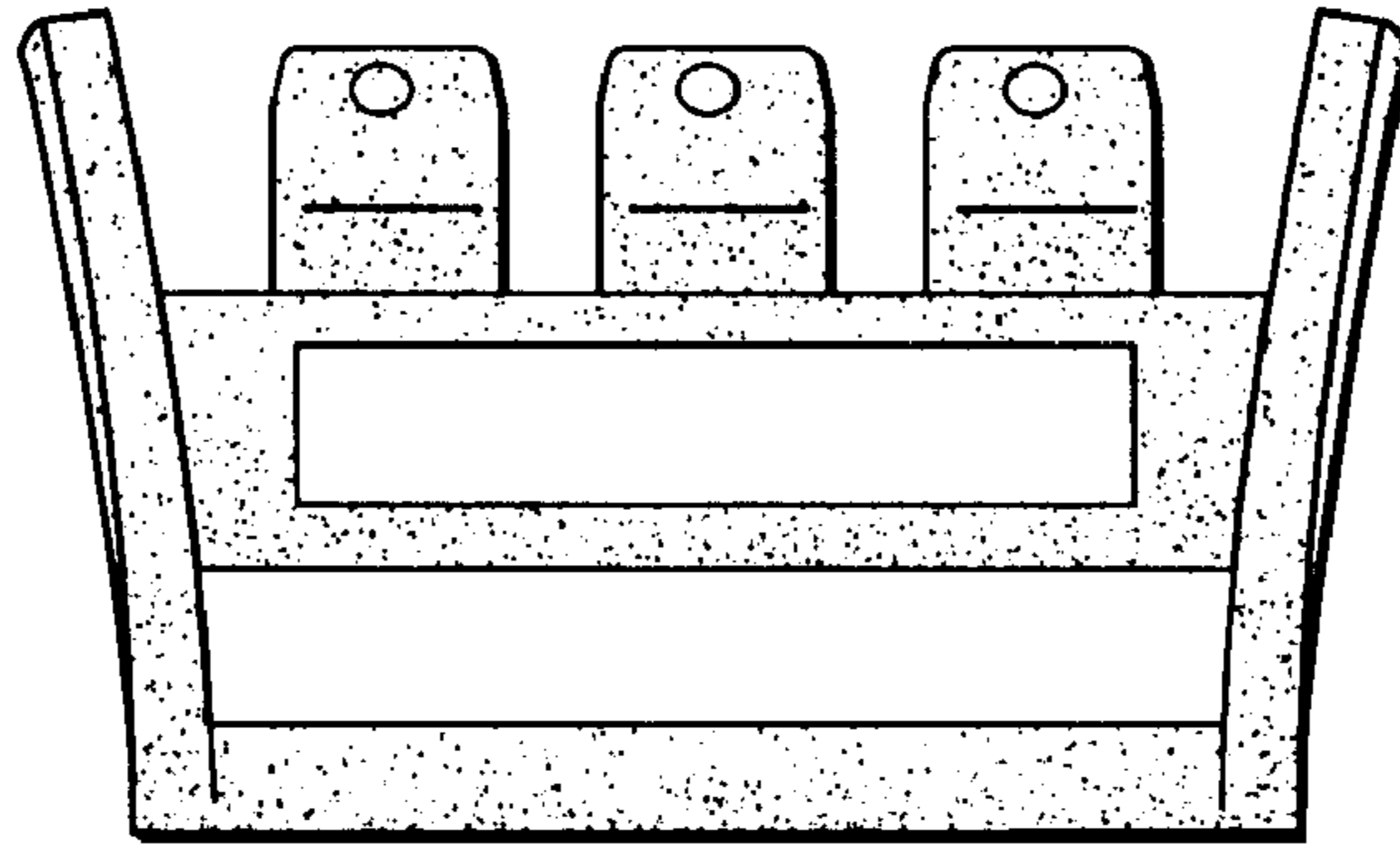


Fig. 1

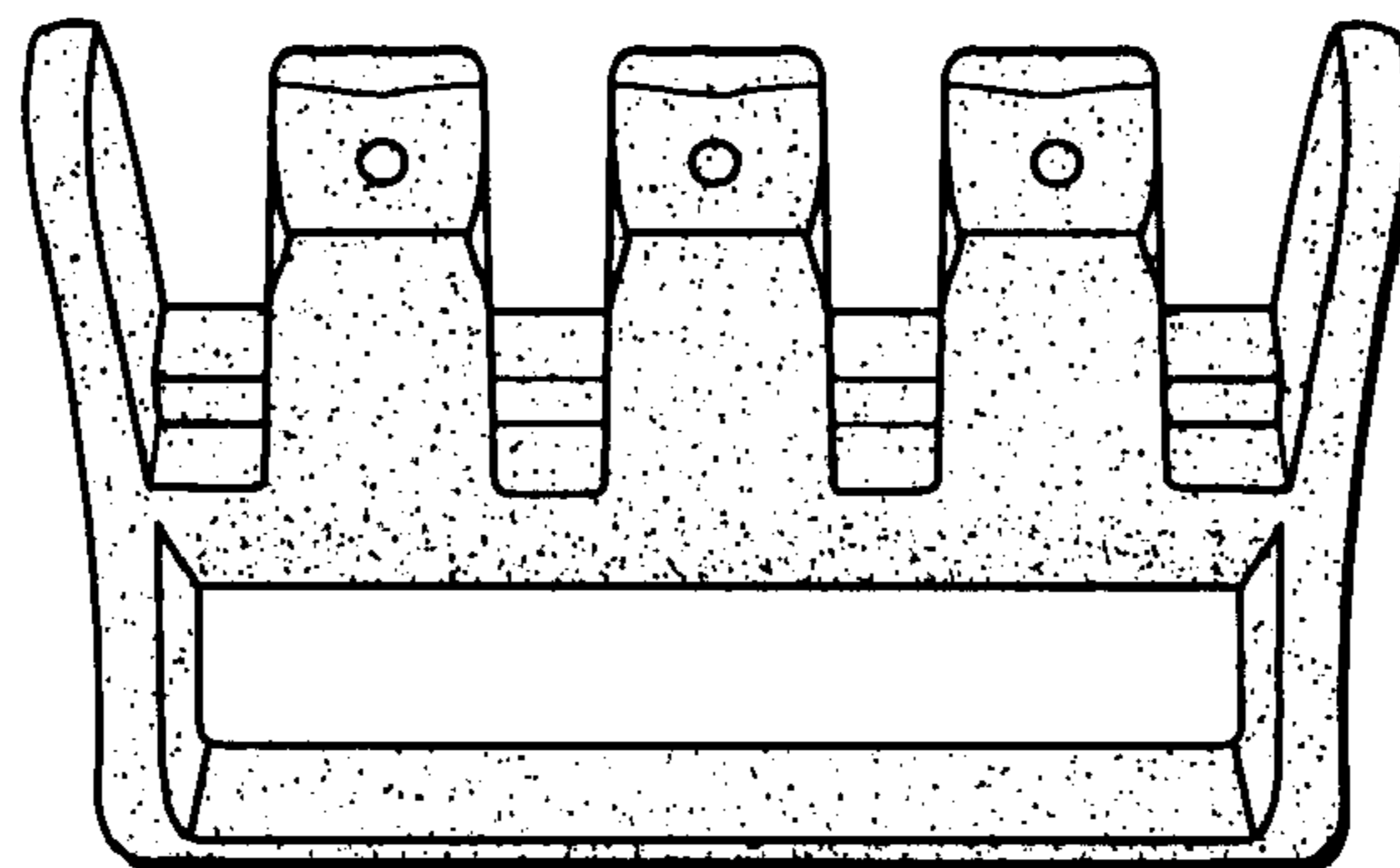


Fig. 2

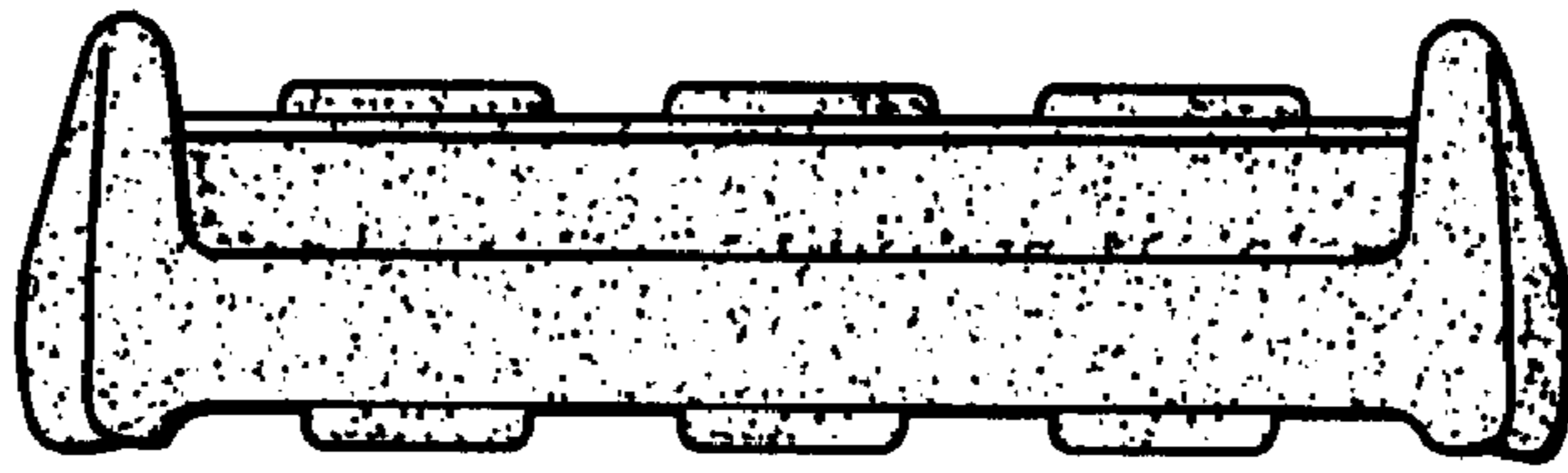


Fig. 3

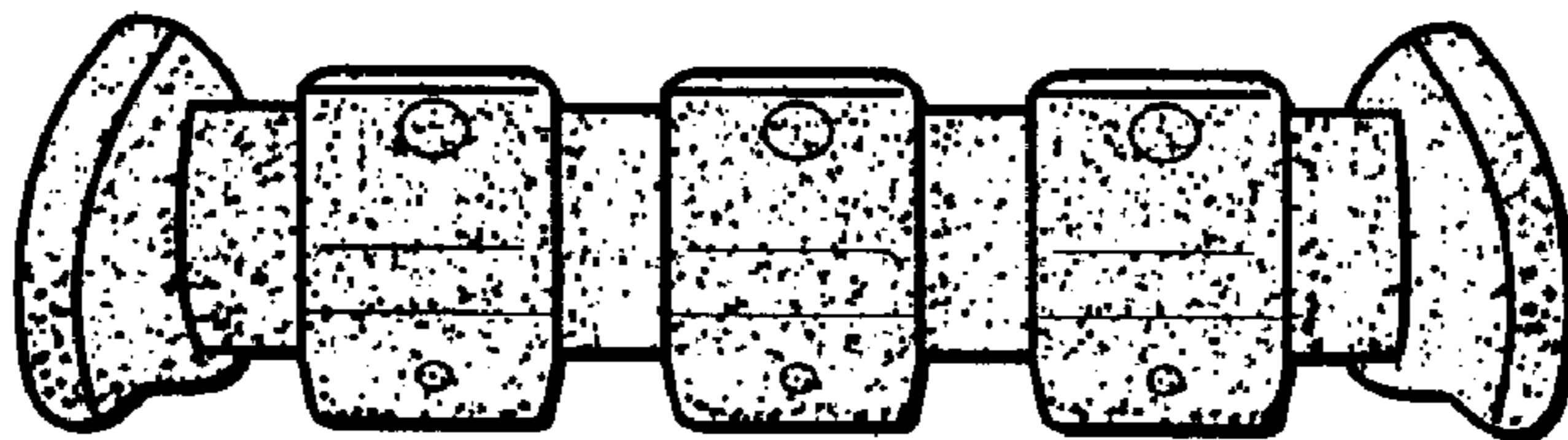


Fig. 4

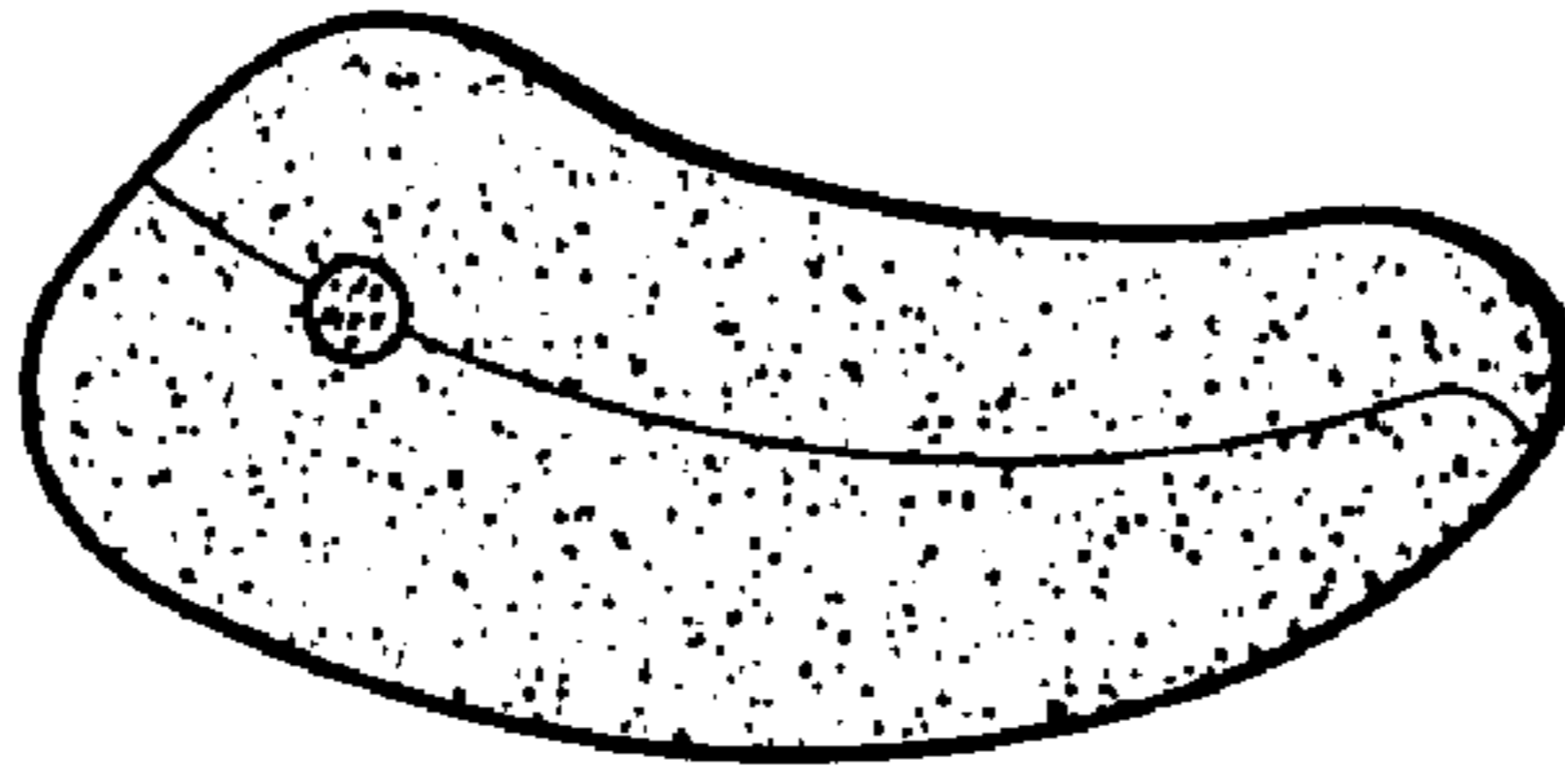


Fig. 5

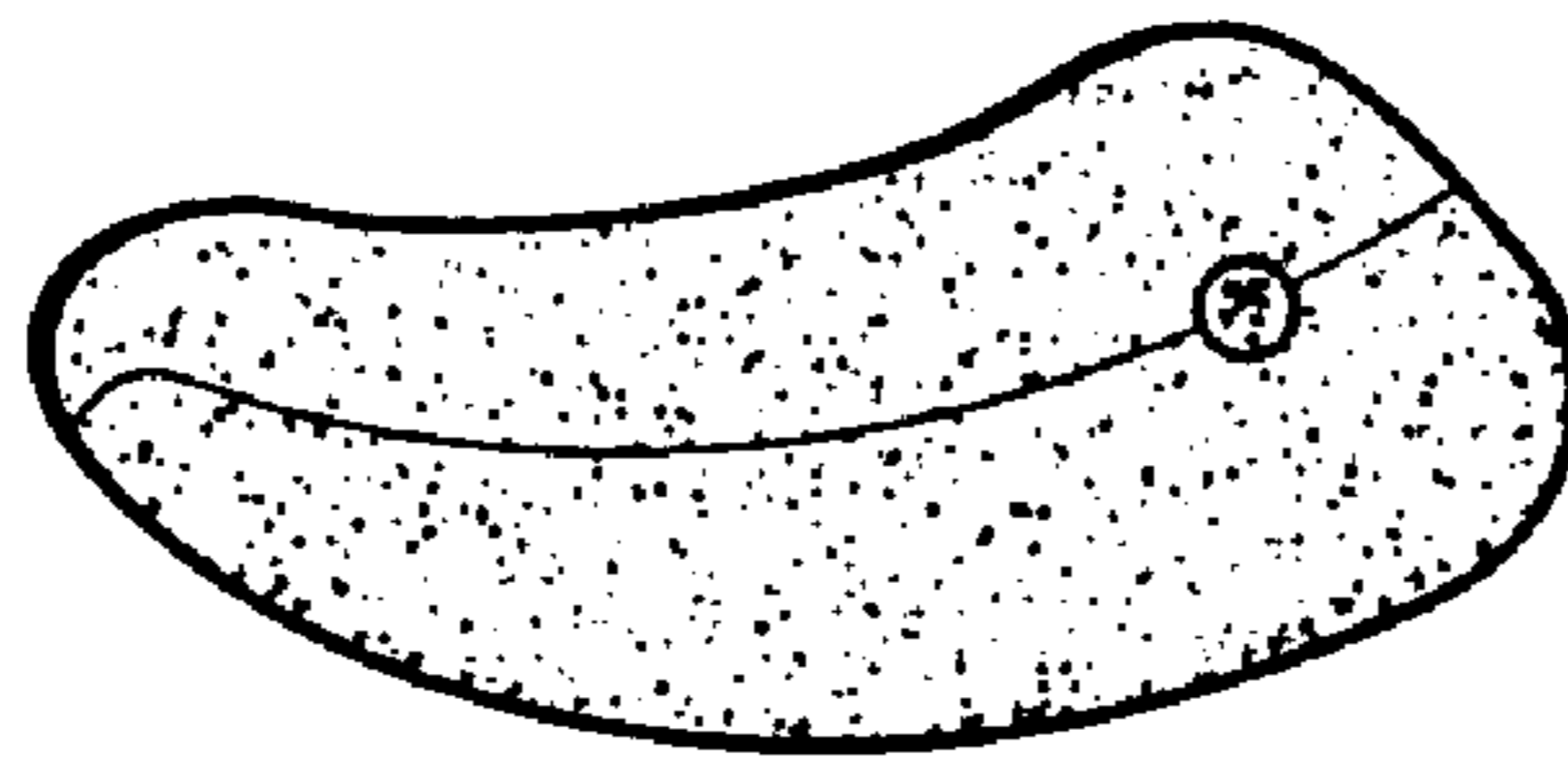


Fig. 6

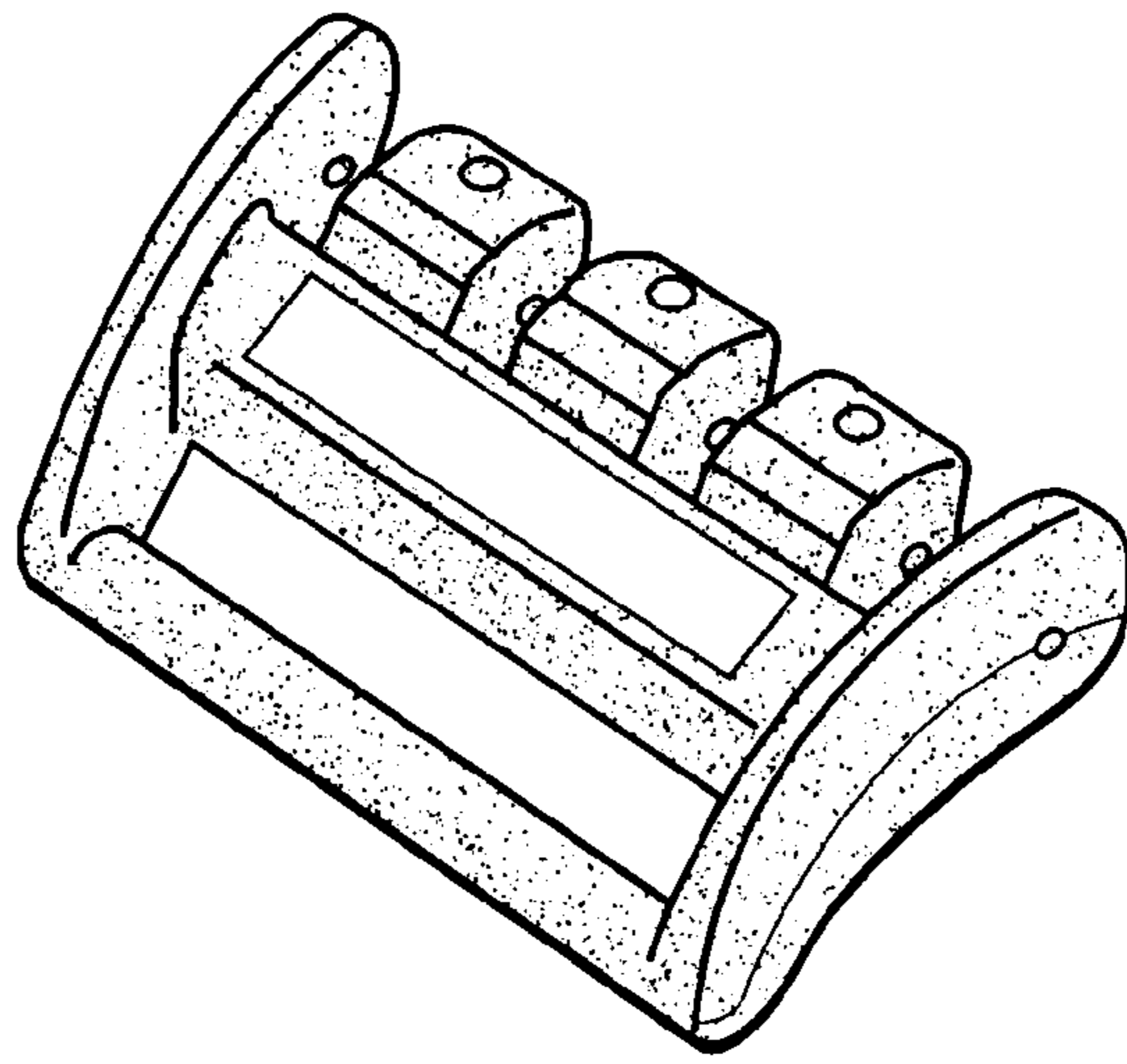


Fig. 7