



US00D473817S

(12) **United States Design Patent**
Itzkowitz

(10) **Patent No.:** **US D473,817 S**

(45) **Date of Patent:** **** Apr. 29, 2003**

(54) **JEWELRY SETTING**

(76) Inventor: **Israel Itzkowitz**, 4952 Placida Ave.,
No. Hollywood, Los Angeles, CA (US)
91601

(**) Term: **14 Years**

(21) Appl. No.: **29/170,144**

(22) Filed: **Nov. 1, 2002**

(51) **LOC (7) Cl.** **11-01**

(52) **U.S. Cl.** **D11/91**

(58) **Field of Search** 63/15-15.9, 26-31;
D11/26-39, 40-42, 43.45, 75-78, 79-80,
89-92, 1

(56) **References Cited**

U.S. PATENT DOCUMENTS

256,063 A * 4/1882 Smith 63/27
3,014,354 A * 12/1961 McCary 63/27

OTHER PUBLICATIONS

Gems and Jewelry Spring 1999 p. 34 Ring with round
setting and prongs.*

Gems and Jewelry Spring 1999 p. 26 #PL Bag- Ring setting
with double prongs.*

Gems and Jewelry Spring 1999 p. 37 Round pendant setting
with prongs.*

* cited by examiner

Primary Examiner—Louis S. Zarfaz

Assistant Examiner—Deanne Levy

(74) *Attorney, Agent, or Firm*—Howard C. Miskin, Esq.;
Gloria Tsui-Yip, Esq.

(57) **CLAIM**

The ornamental design for jewelry setting, shown and
described.

DESCRIPTION

FIG. 1 is a perspective view of a first embodiment of a
jewelry setting showing my new design.

FIG. 2 is a front elevational view thereof;

FIG. 3 is a left side view thereof, the right side view being
a mirror image thereof;

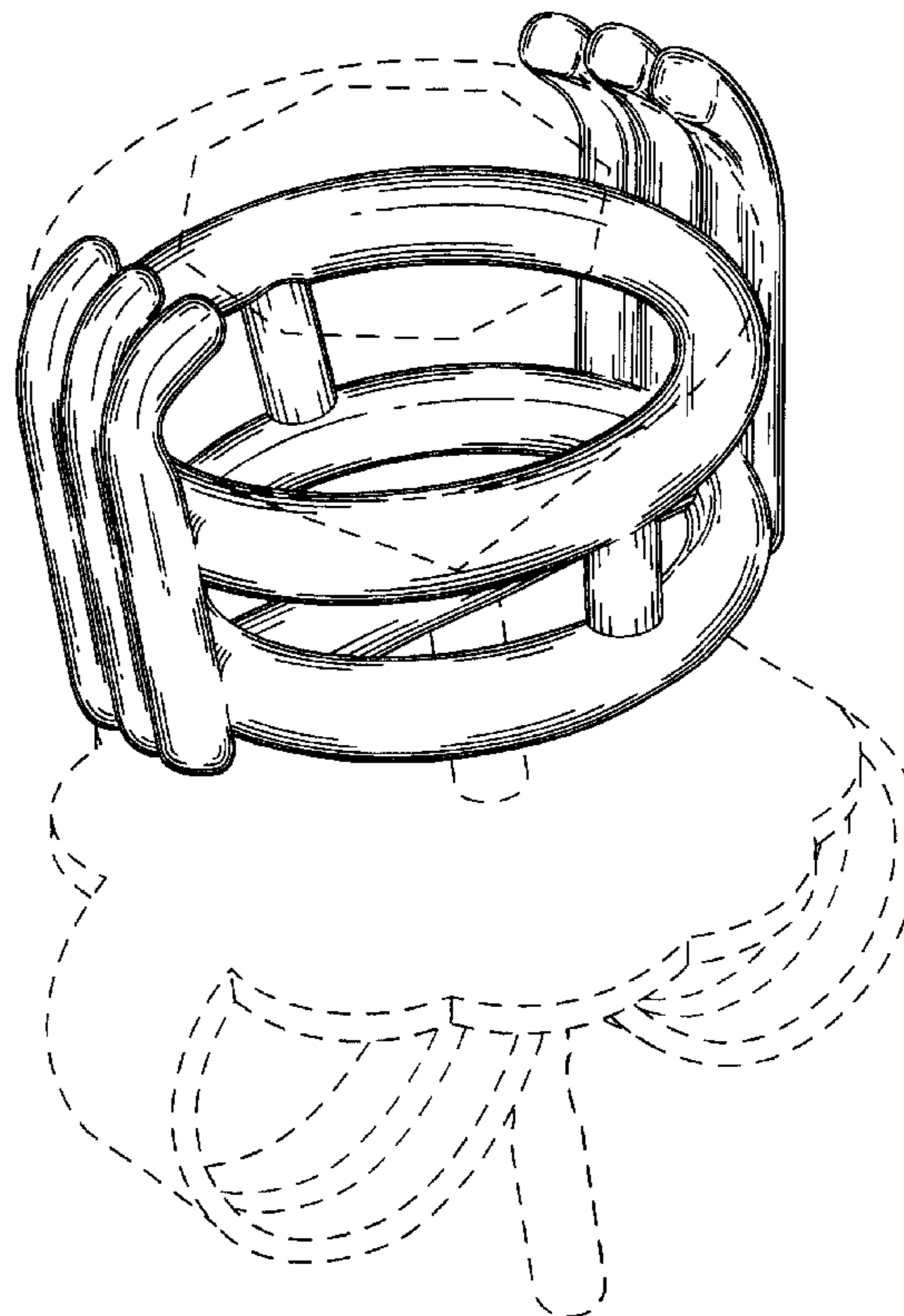
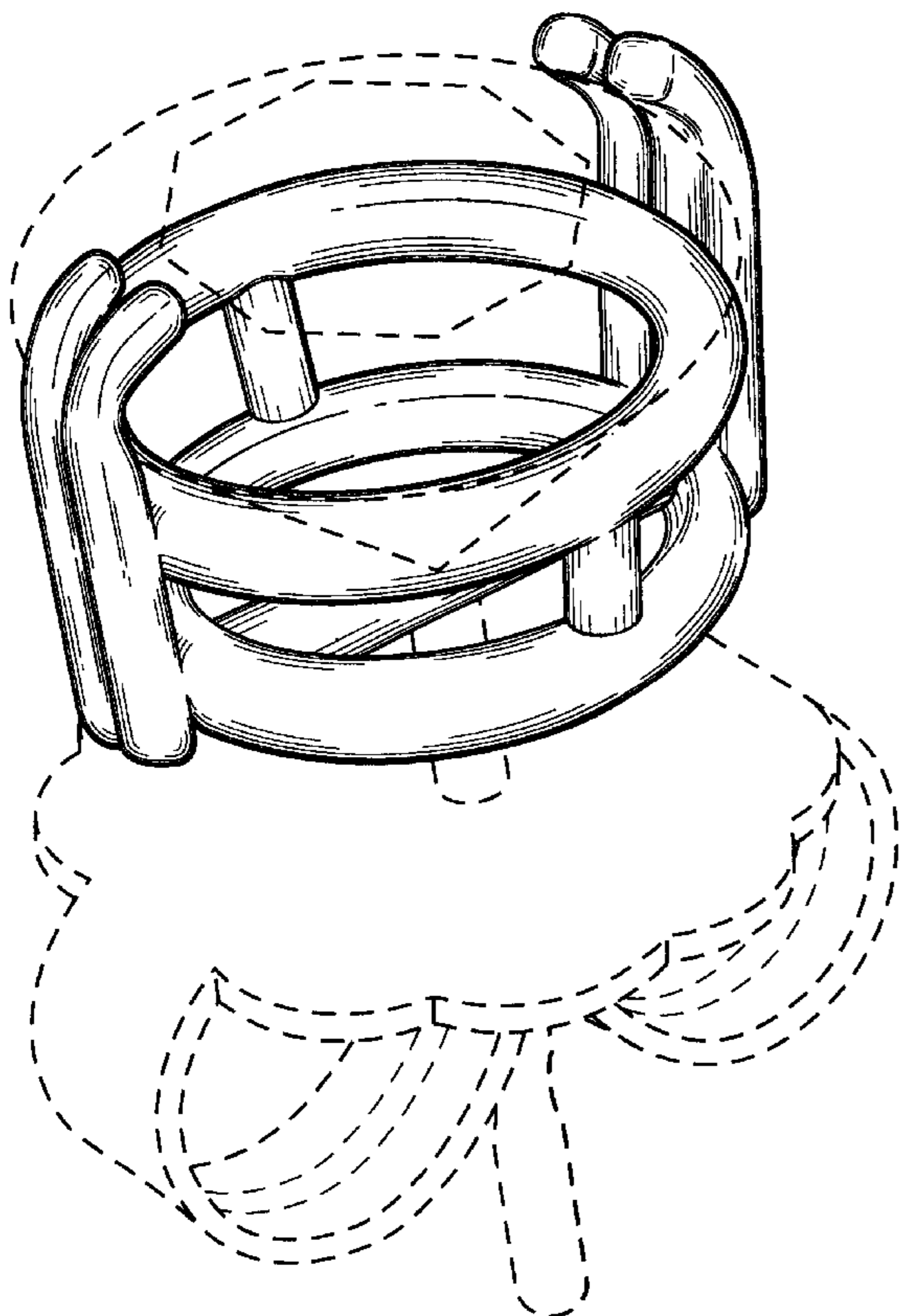
FIG. 4 is a top plan view thereof;

FIG. 5 is a bottom plan thereof; and,

FIG. 6 is a perspective view of a second embodiment of a
jewelry setting showing my new design.

The broken lines showing of the position of the gemstone in
the jewelry setting and the method of use as an earring and
pendant in the Figures are for illustrative purposes only and
forms no part of the claimed design.

1 Claim, 5 Drawing Sheets



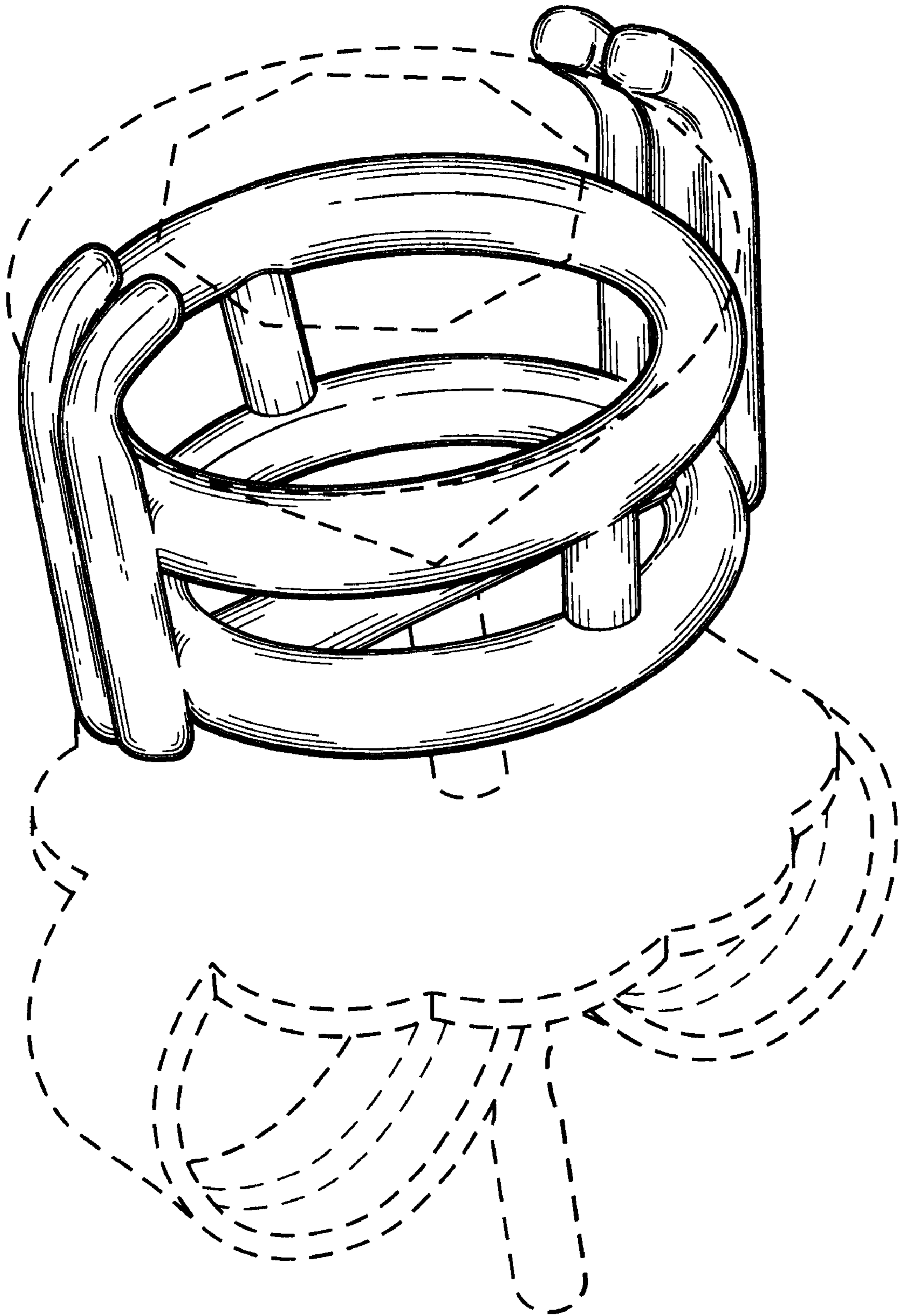


FIG. 1

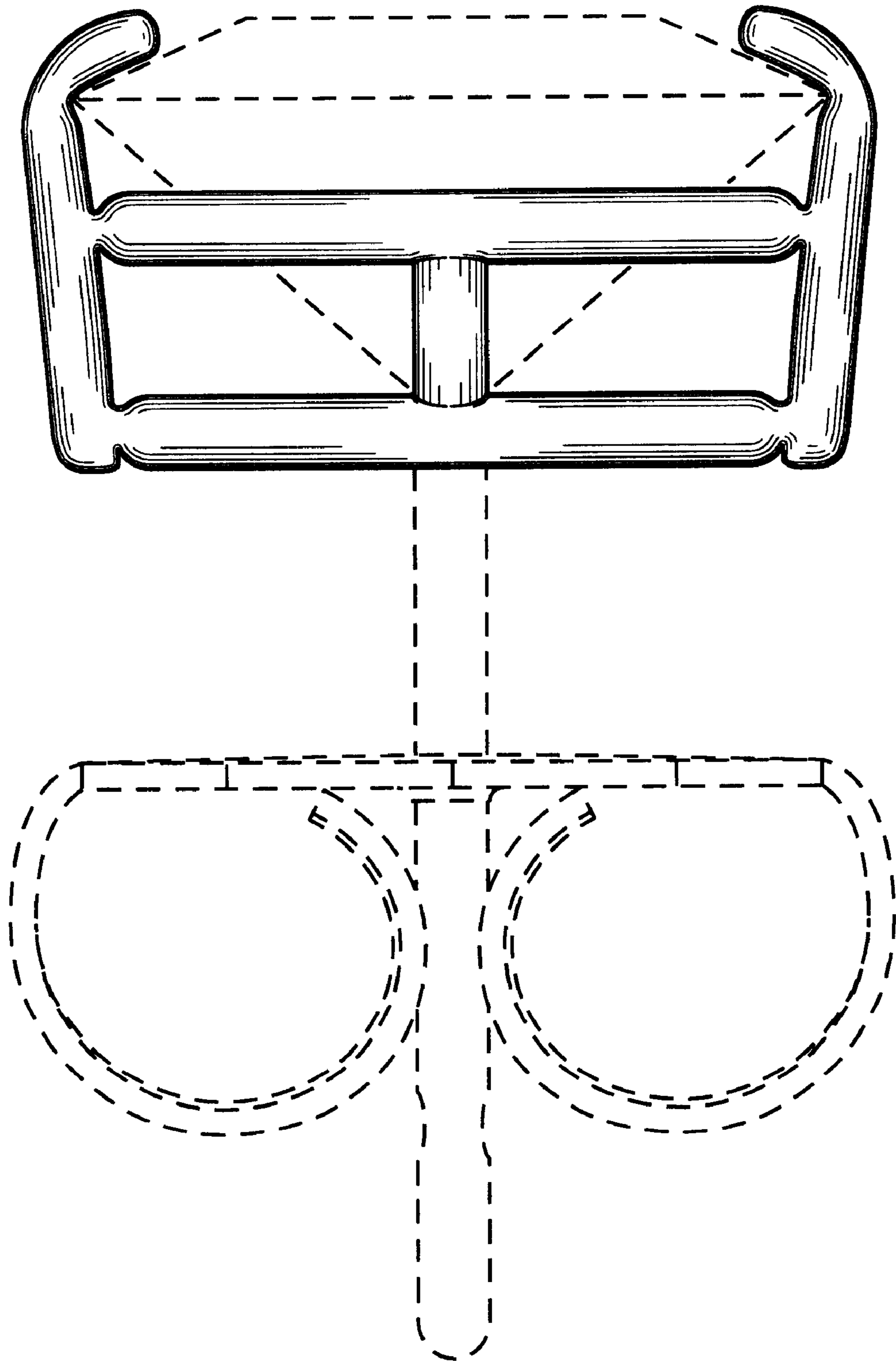


FIG. 2

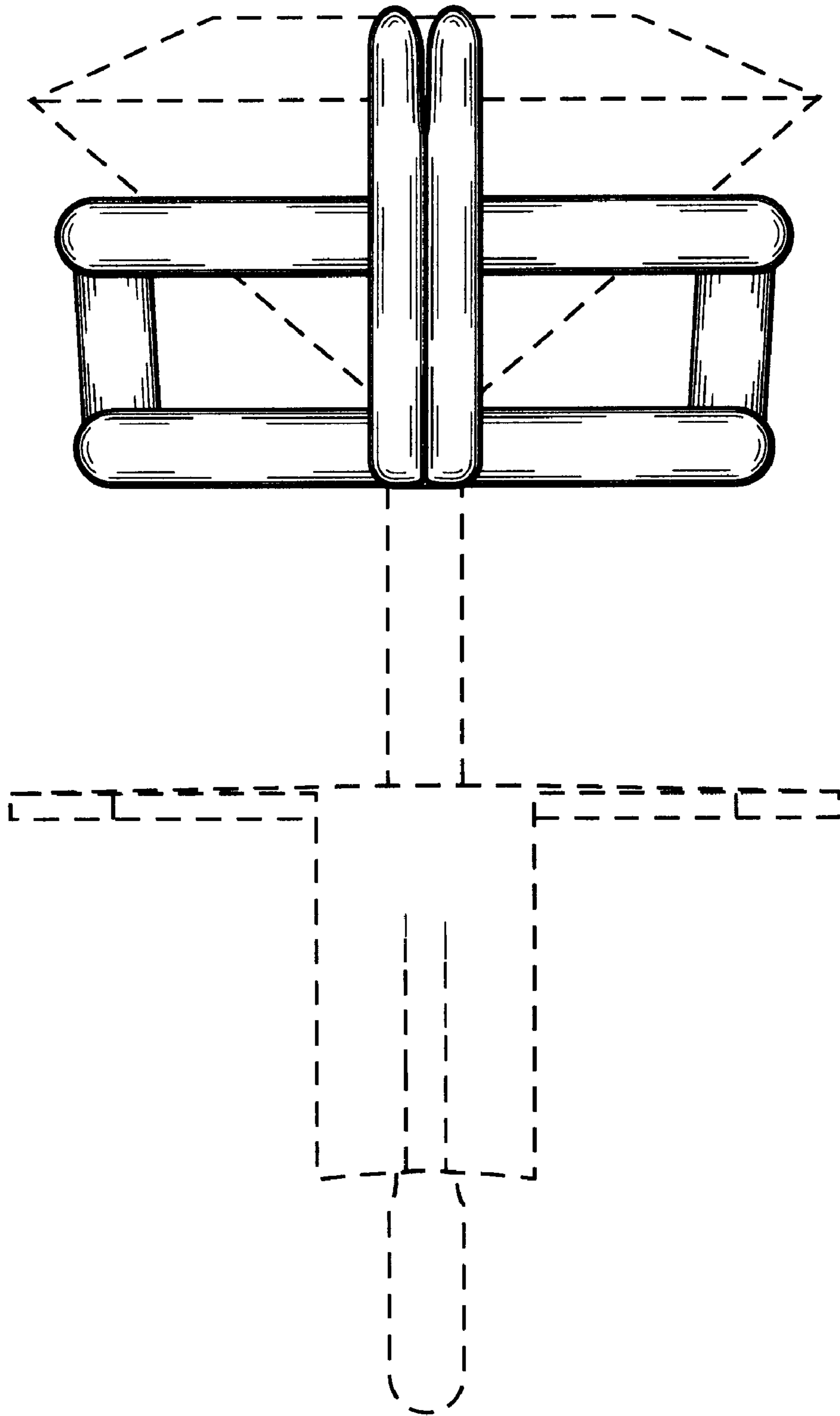


FIG. 3

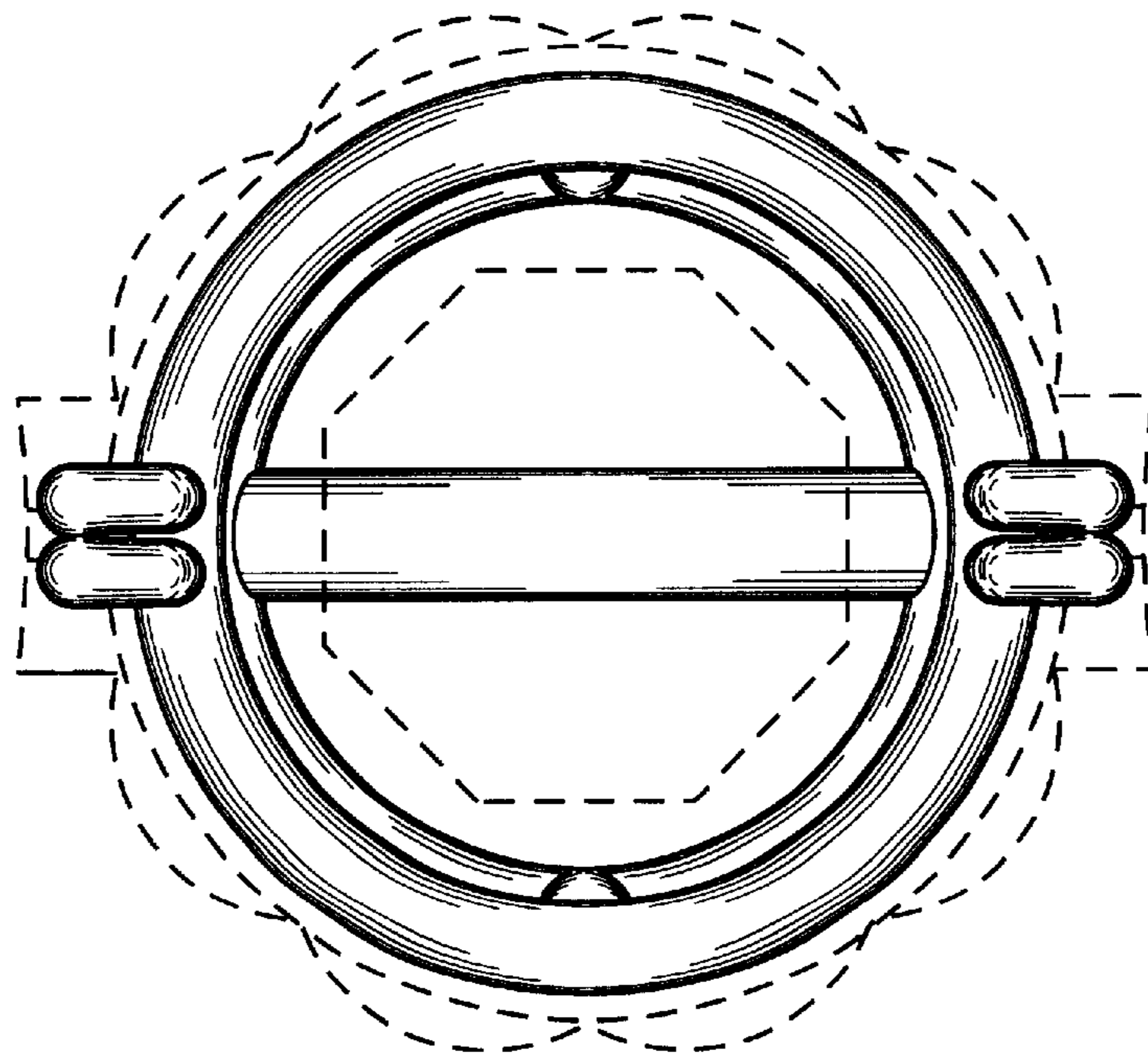


FIG. 4

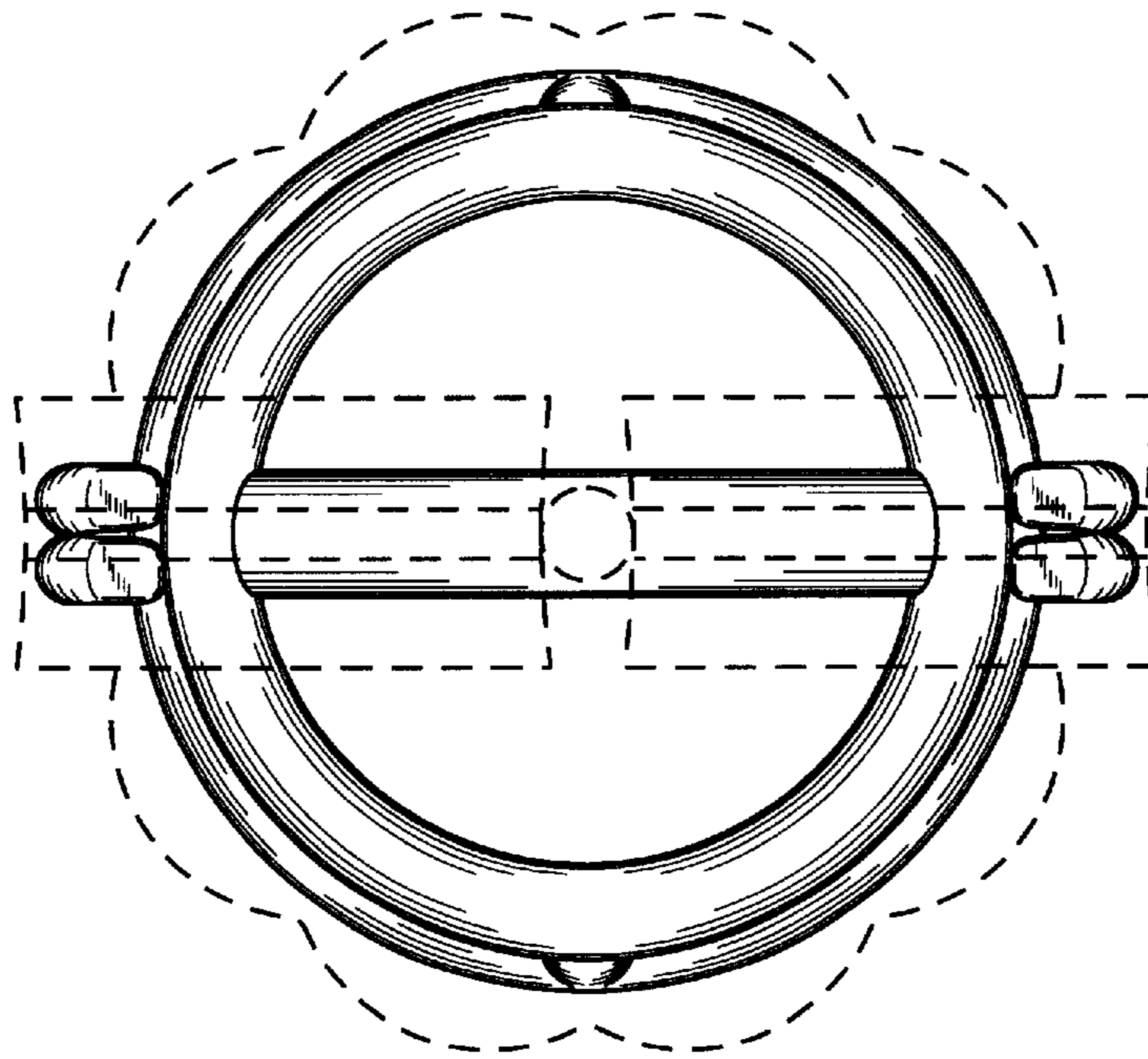


FIG. 5

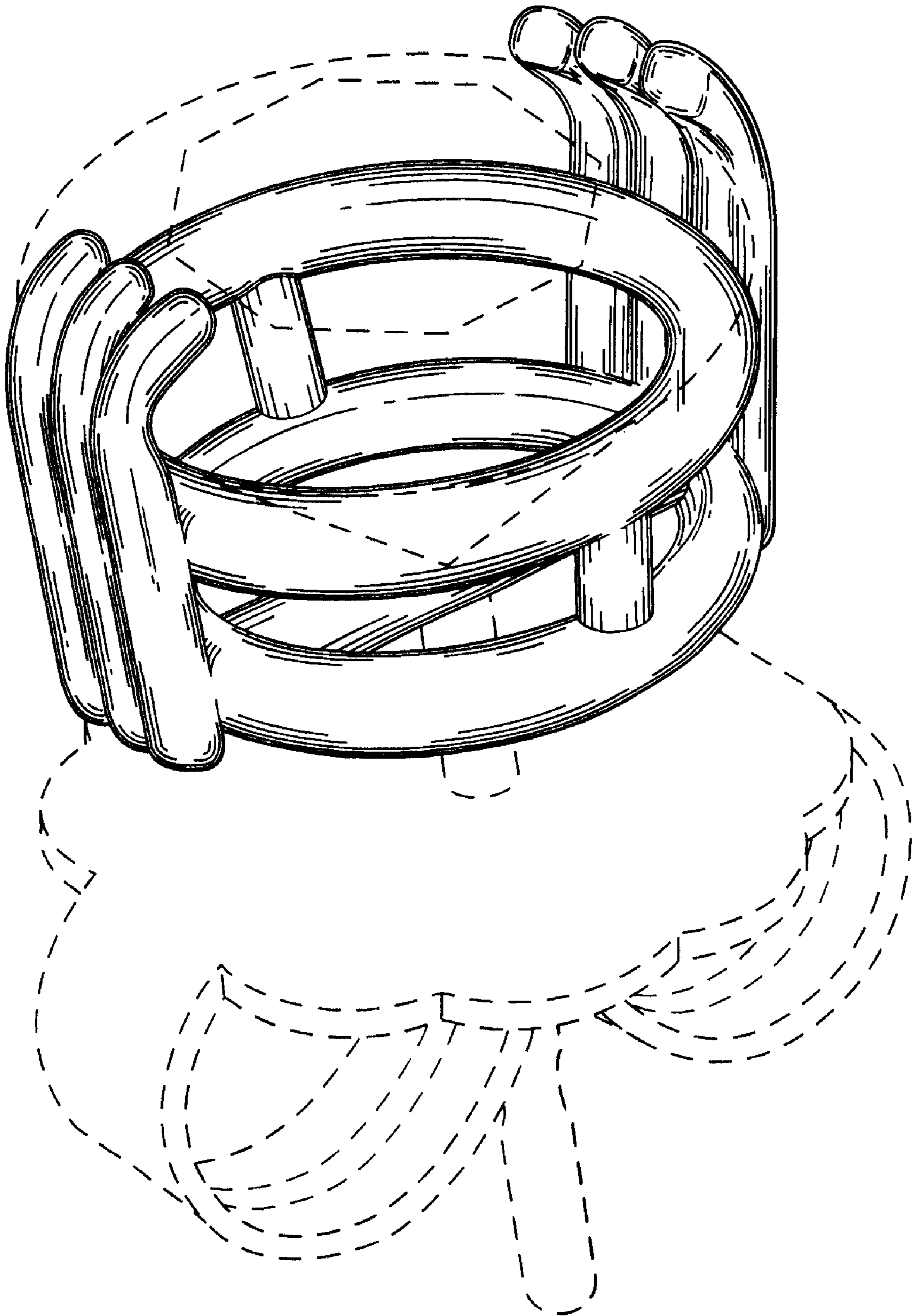


FIG. 6