



US00D473810S

(12) **United States Design Patent**
Lepeu et al.

(10) **Patent No.:** **US D473,810 S**
(45) **Date of Patent:** **** Apr. 29, 2003**

- (54) **WATCH BEZEL AND CROWN**
- (75) Inventors: **Richard Lepeu**, Paris (FR); **Jacques Diltor**, Villeneuve-la-Garenne (FR)
- (73) Assignee: **Cartier International B.V.**, Amsterdam (NL)
- (**) Term: **14 Years**
- (21) Appl. No.: **29/151,149**
- (22) Filed: **Nov. 15, 2001**

| | | | | | |
|-------------|---|---------|----------------|-------|---------|
| 1,881,613 A | * | 10/1932 | Ingraham | | 368/294 |
| 1,981,047 A | * | 11/1934 | Irelan | | 368/295 |
| D421,725 S | * | 3/2000 | Iwanaga | | D10/32 |
| D422,514 S | * | 4/2000 | Diltor et al. | | D10/39 |
| D434,673 S | * | 12/2000 | Hirata | | D10/30 |
| D453,689 S | * | 2/2002 | Lepeu et al. | | D10/32 |
| D455,357 S | * | 4/2002 | Ikegami et al. | | D10/32 |

* cited by examiner

Primary Examiner—Nelson C. Holtje
(74) *Attorney, Agent, or Firm*—Darby & Darby

Related U.S. Application Data

- (63) Continuation of application No. 29/137,284, filed on Feb. 20, 2001, now Pat. No. Des. 453,689.

(30) **Foreign Application Priority Data**

- Aug. 25, 2000 (XH) DM/052 959
- (51) **LOC (7) Cl.** **10-07**
- (52) **U.S. Cl.** **D10/128**
- (58) **Field of Search** D10/1-40, 122-132;
368/276-277, 285, 316-317, 294-295,
319, 306

(56) **References Cited**

U.S. PATENT DOCUMENTS

- 1,839,041 A * 12/1931 McCurdy 368/294

(57) **CLAIM**

The ornamental design for a watch bezel and crown, as shown and described.

DESCRIPTION

FIG. 1 is a perspective view of a watch bezel and crown showing our new design;
 FIG. 2 is a top plan view thereof;
 FIG. 3 is a bottom plan view thereof;
 FIG. 4 is a left side view thereof;
 FIG. 5 is a right side view thereof; and,
 FIG. 6 is a front elevational view thereof.

The broken line showing of hands and band portions is for illustrative purposes only and forms no part of the claimed design.

1 Claim, 2 Drawing Sheets

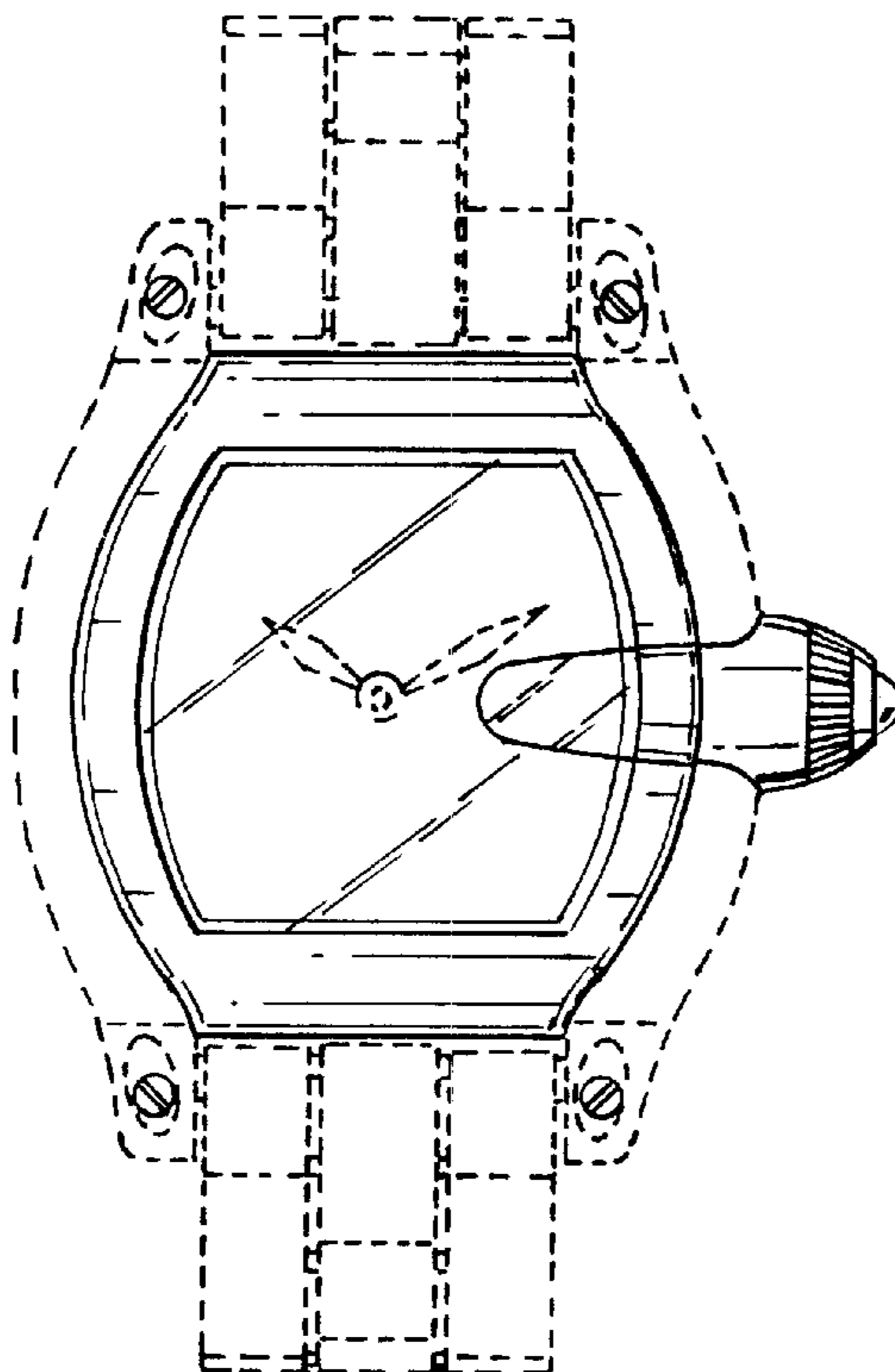


Fig. 1

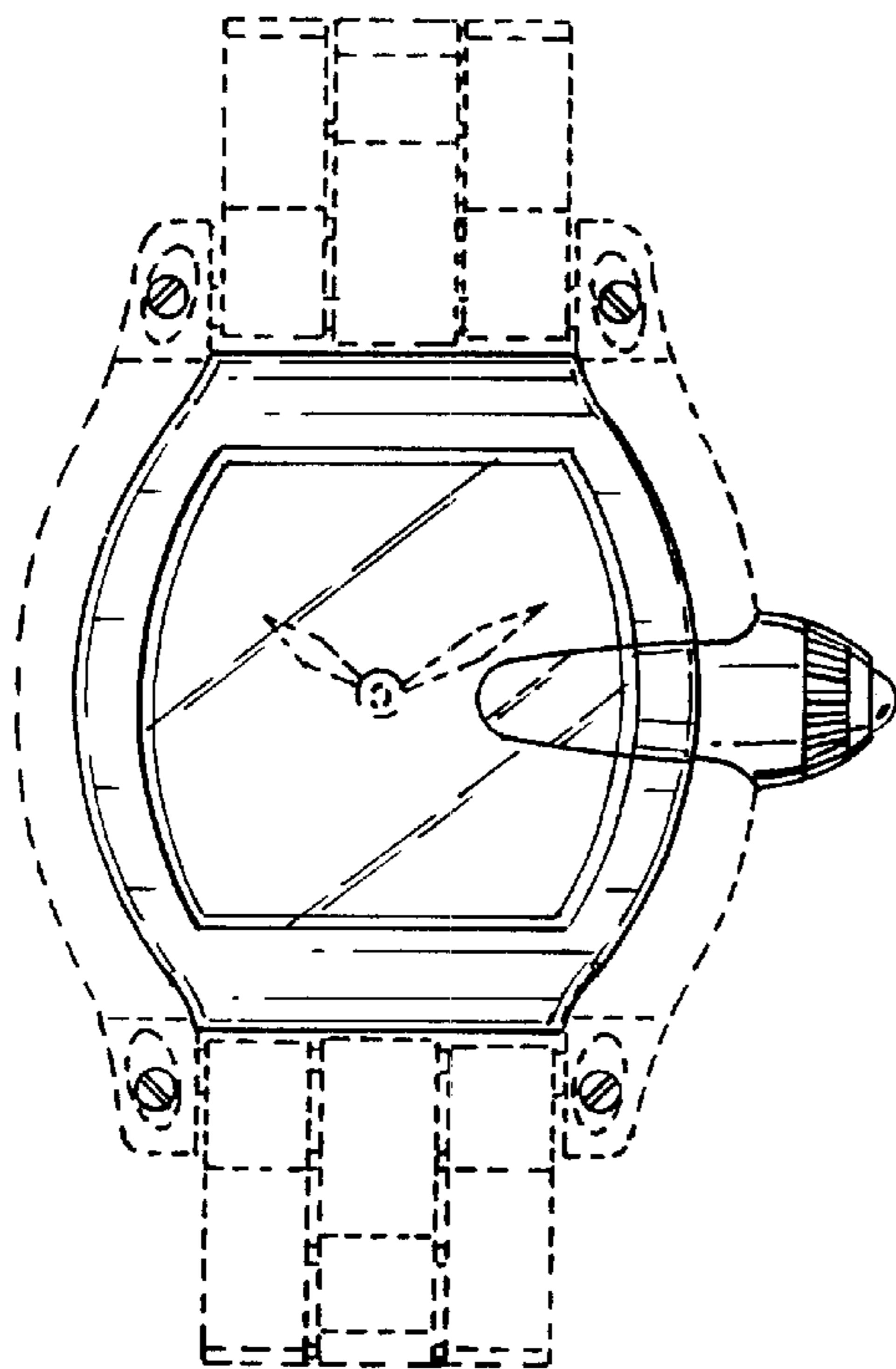
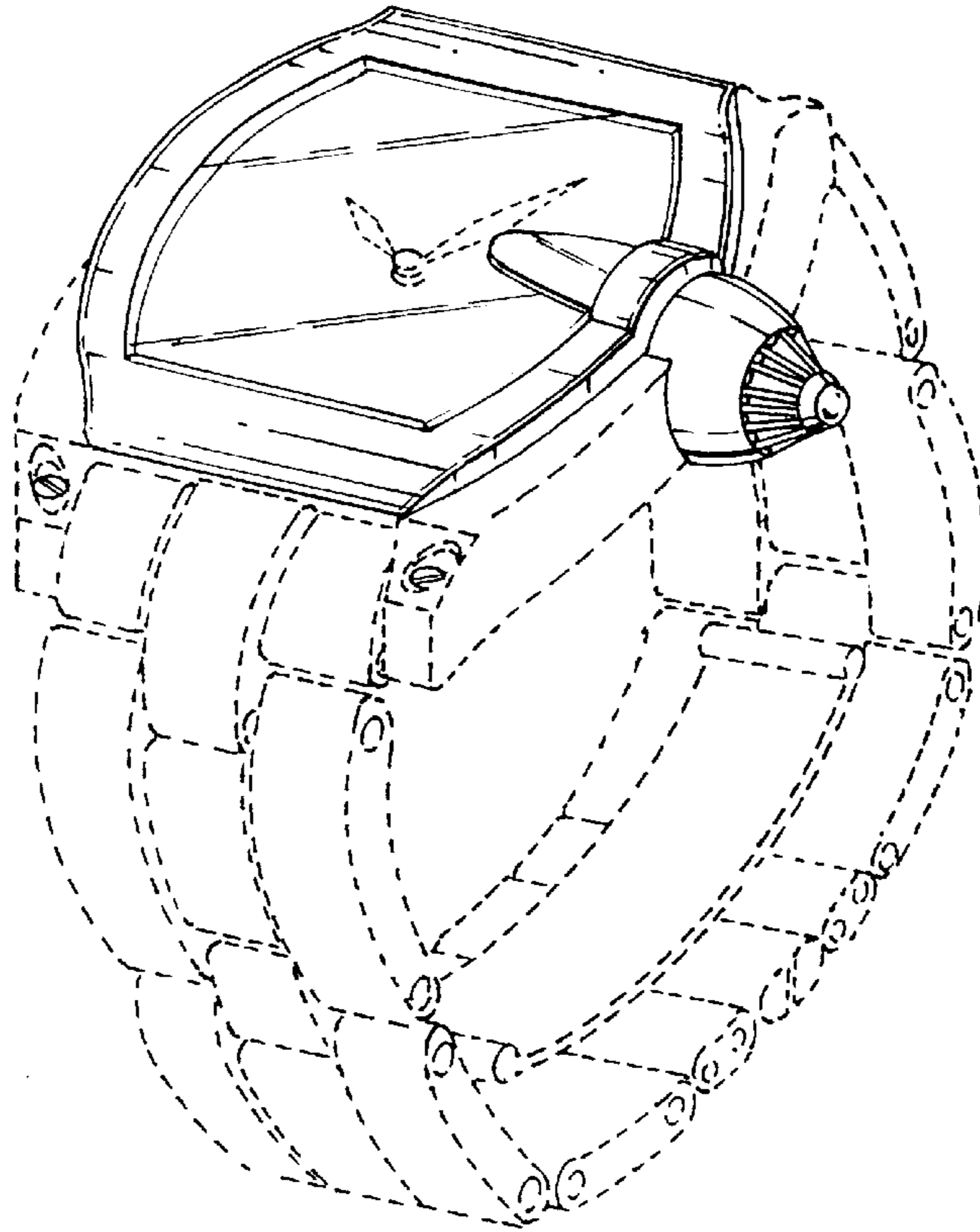


Fig. 2

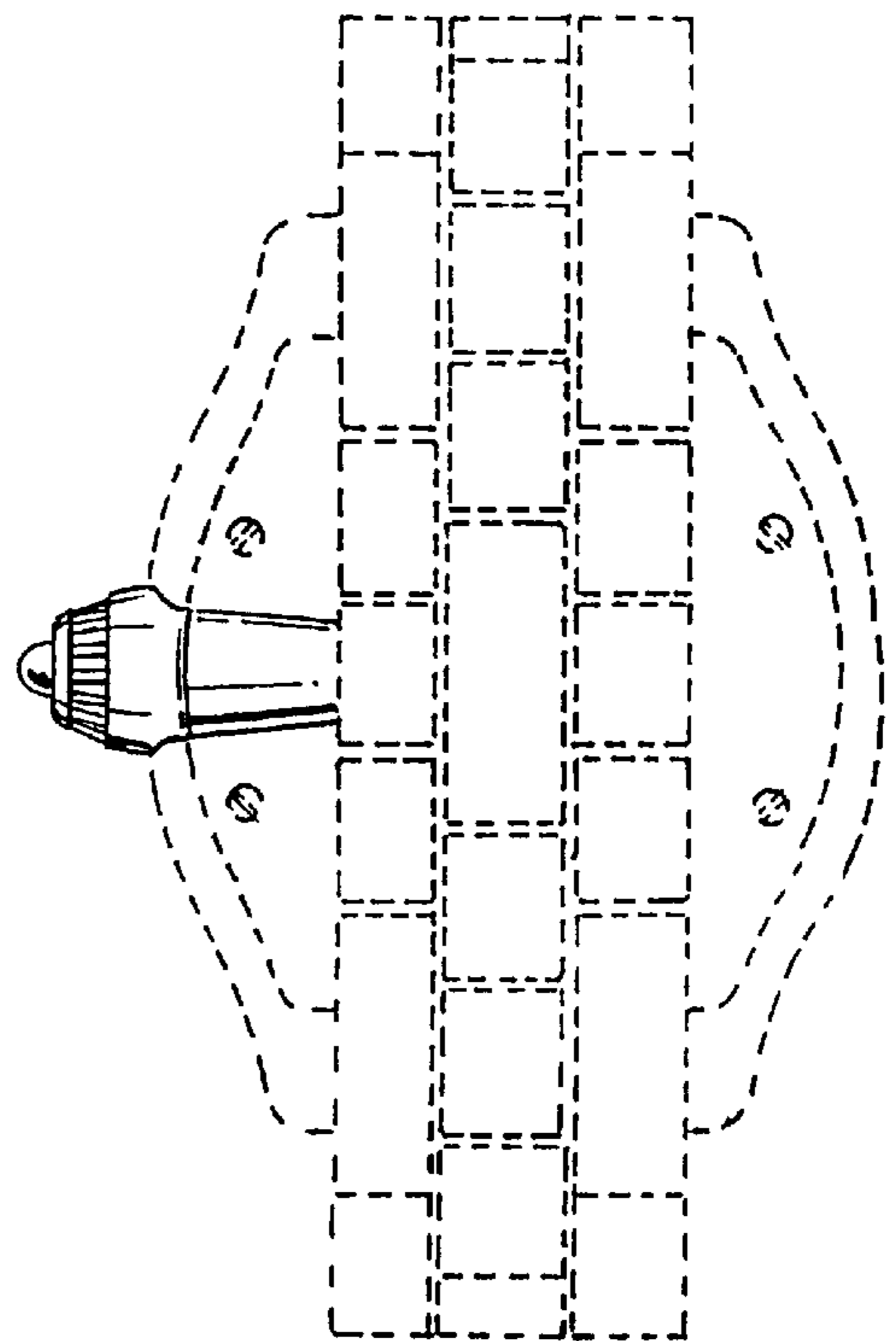


Fig. 3

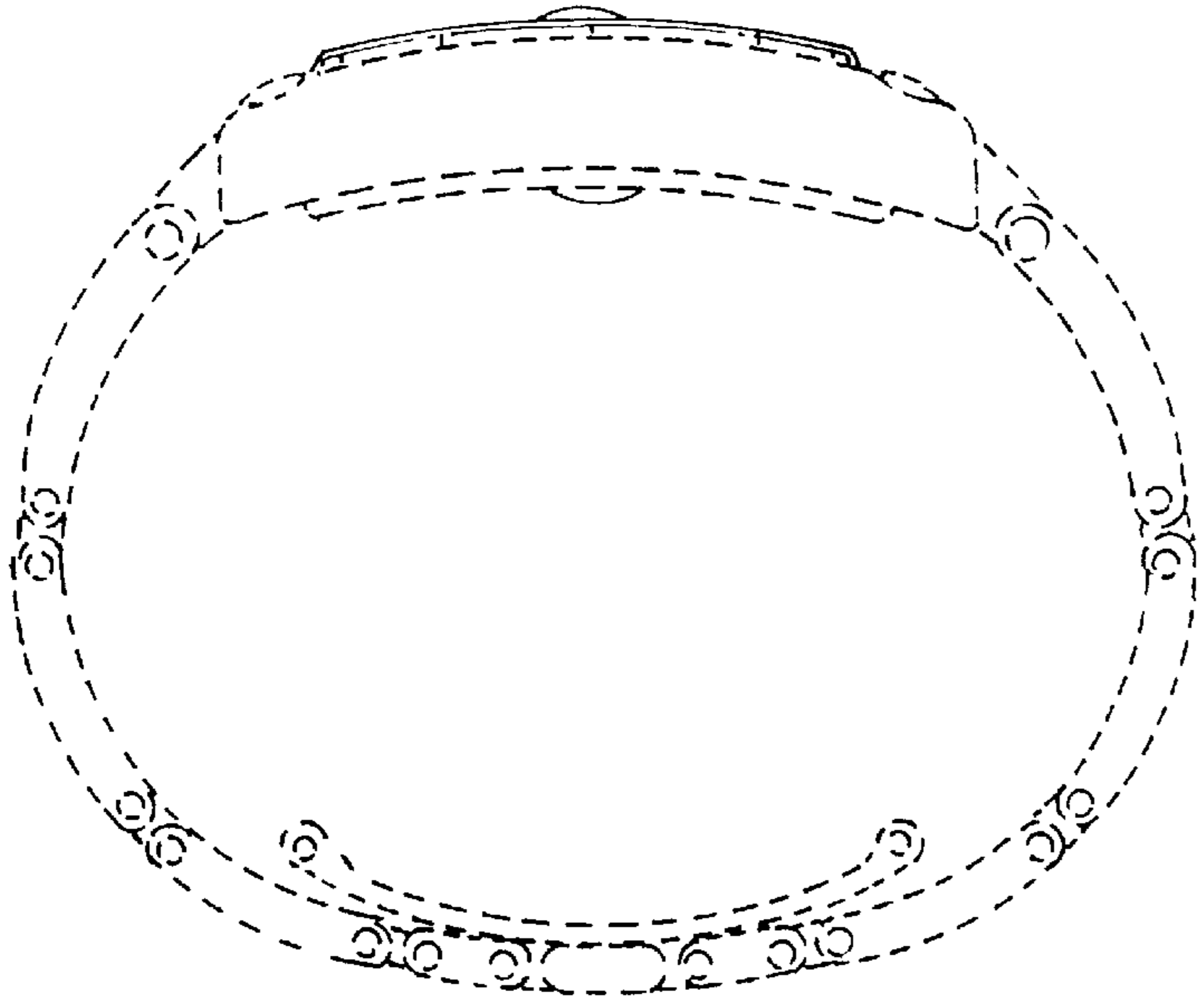


Fig. 4

Fig. 5

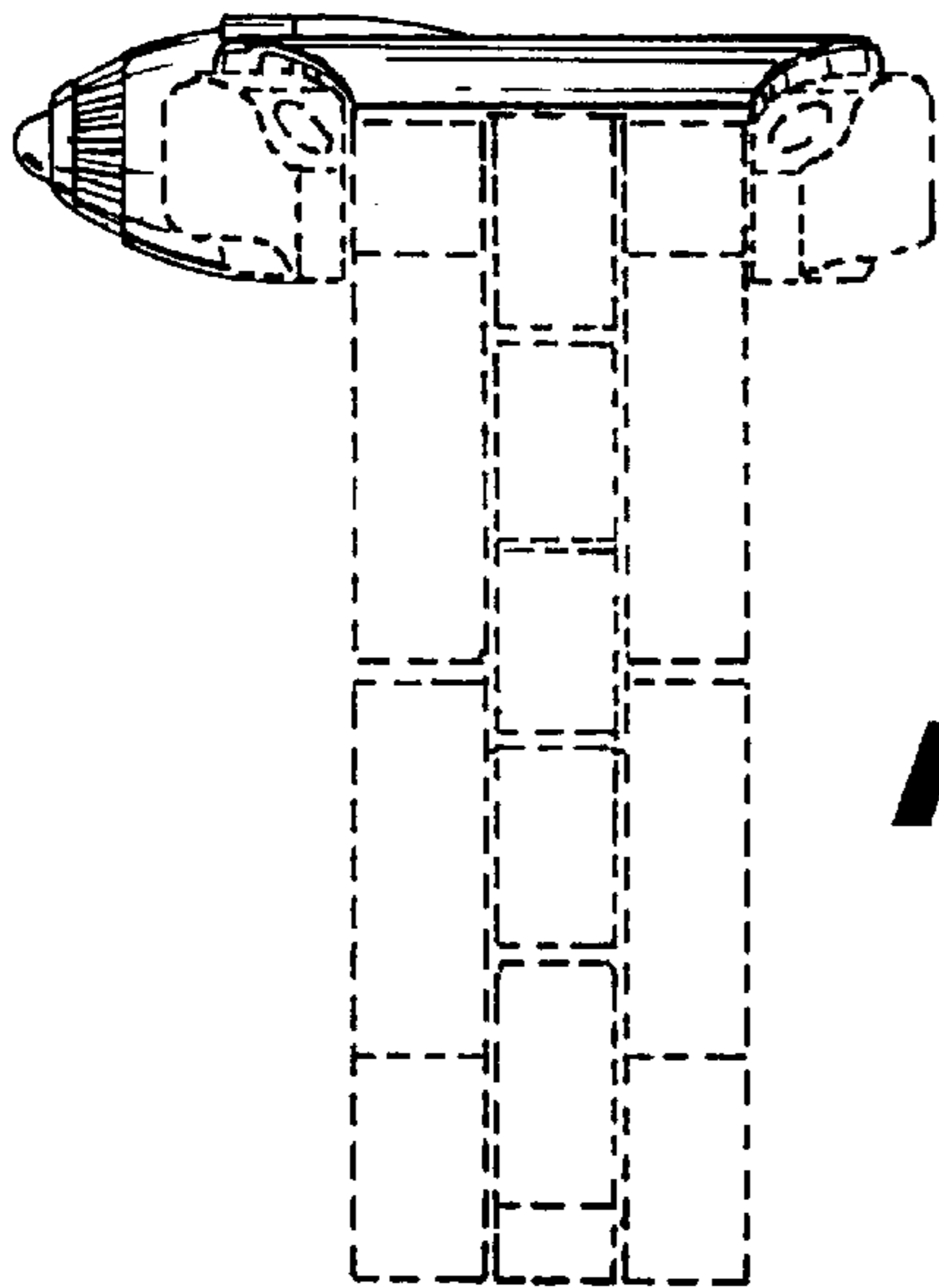
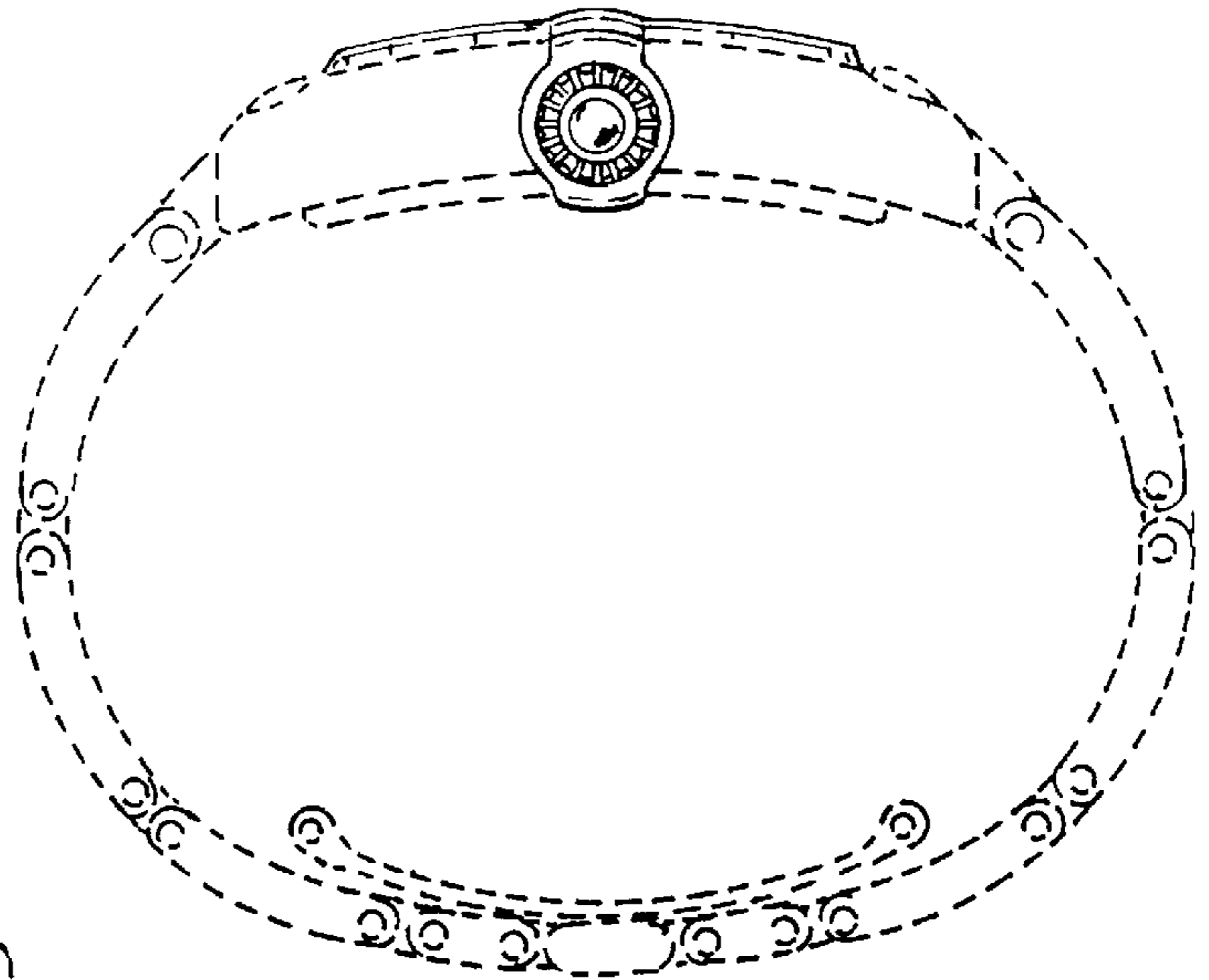


Fig. 6