



US00D473808S

(12) **United States Design Patent**
Bainton et al.

(10) **Patent No.: US D473,808 S**

(45) **Date of Patent: ** Apr. 29, 2003**

(54) **HAIR COLOR ANALYZER WITH CRADLE**

(75) Inventors: **Michael Cameron Bainton**, Kinton (GB); **Paul Edmund Baker**, Reading (GB)

(73) Assignee: **The Procter & Gamble Company**, Cincinnati, OH (US)

(**) Term: **14 Years**

(21) Appl. No.: **29/155,118**

(22) Filed: **Oct. 22, 2001**

(30) **Foreign Application Priority Data**

Apr. 27, 2001 (GB) 2101426

(51) **LOC (7) Cl.** **10-04**

(52) **U.S. Cl.** **D10/78; D28/10**

(58) **Field of Search** D28/9, 10, 99; D10/46, 47, 78, 81, 83, 103; 132/200, 212, 333; 356/402-425, 445, 446, 72, 73

(56) **References Cited**

U.S. PATENT DOCUMENTS

3,421,821	A	*	1/1969	Alessi	356/416
3,736,064	A	*	5/1973	Kent et al.	356/425
4,632,558	A	*	12/1986	Maassen et al.	356/404
D348,849	S	*	7/1994	Thompson	D10/78
D363,886	S	*	11/1995	Colani	D10/81
5,926,262	A	*	7/1999	Jung et al.	356/73
6,020,583	A	*	2/2000	Walowit et al.	250/226
6,157,454	A	*	12/2000	Wagner et al.	356/407
D461,132	S	*	8/2002	Woolston et al.	D10/46
6,469,789	B1	*	10/2002	Rajamani et al.	356/402

* cited by examiner

Primary Examiner—Ted Shooman

Assistant Examiner—C Tuttle

(74) *Attorney, Agent, or Firm*—Jack L. Oney

(57) **CLAIM**

The ornamental design for a hair color analyzer with cradle, as shown and described.

DESCRIPTION

FIG. 1 is an exploded perspective view showing our new design;

FIG. 2 is a front elevational view of the assembled design;

FIG. 3 is a rear elevational view thereof;

FIG. 4 is a right side elevational view thereof;

FIG. 5 is a left side elevational view thereof;

FIG. 6 is a top view thereof;

FIG. 7 is a bottom view thereof;

FIG. 8 is a front elevational view of said hair color analyzer;

FIG. 9 is a rear elevational view of the analyzer portion of our design, shown separate from the assembly for clarity and completeness of disclosure;

FIG. 10 is a top view thereof;

FIG. 11 is a right side elevational view thereof;

FIG. 12 is a left side elevational view thereof;

FIG. 13 is a bottom view thereof;

FIG. 14 is a front elevational view of the cradle portion of our design, shown separate from the assembly for clarity and completeness of disclosure;

FIG. 15 is a rear elevational view thereof;

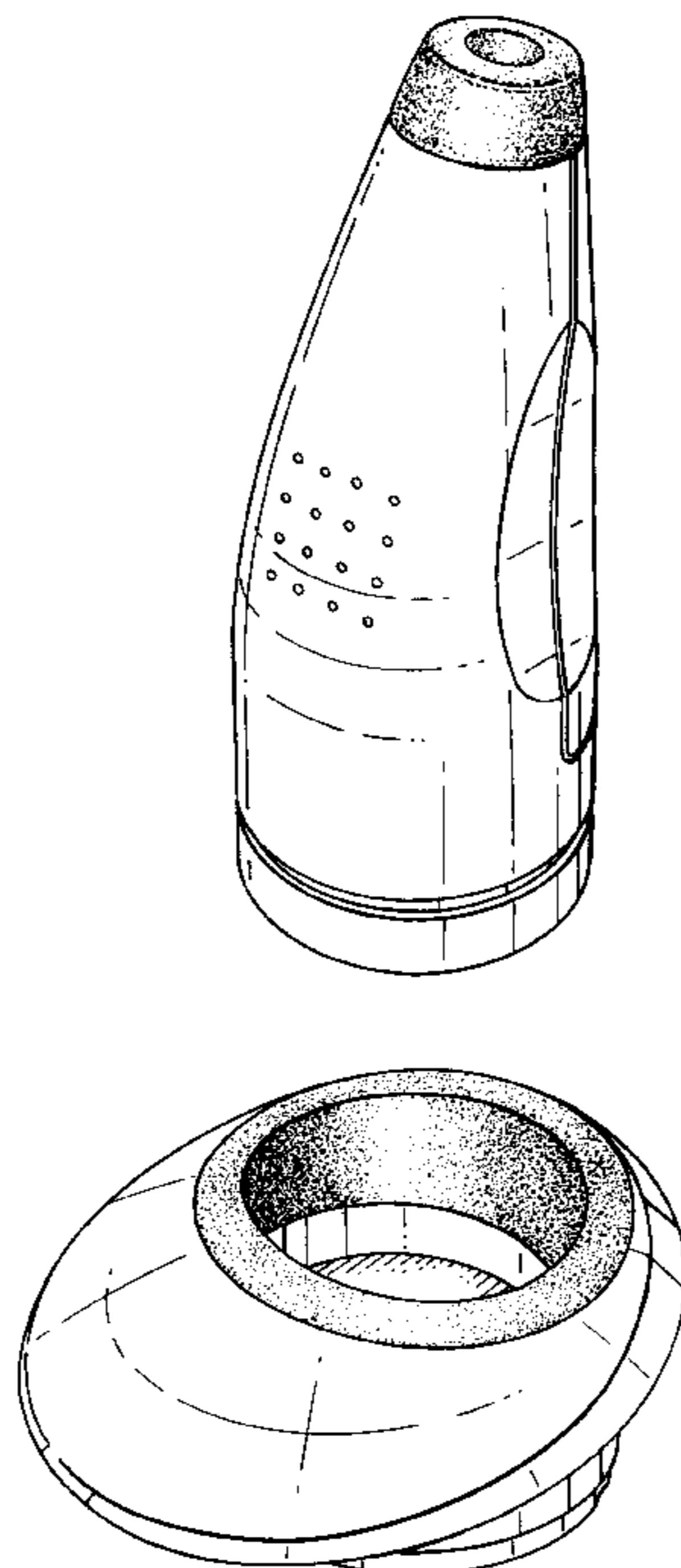
FIG. 16 is a right side elevational view thereof;

FIG. 17 is a left side elevational view thereof;

FIG. 18 is a top view thereof; and,

FIG. 19 is a bottom view thereof.

1 Claim, 10 Drawing Sheets



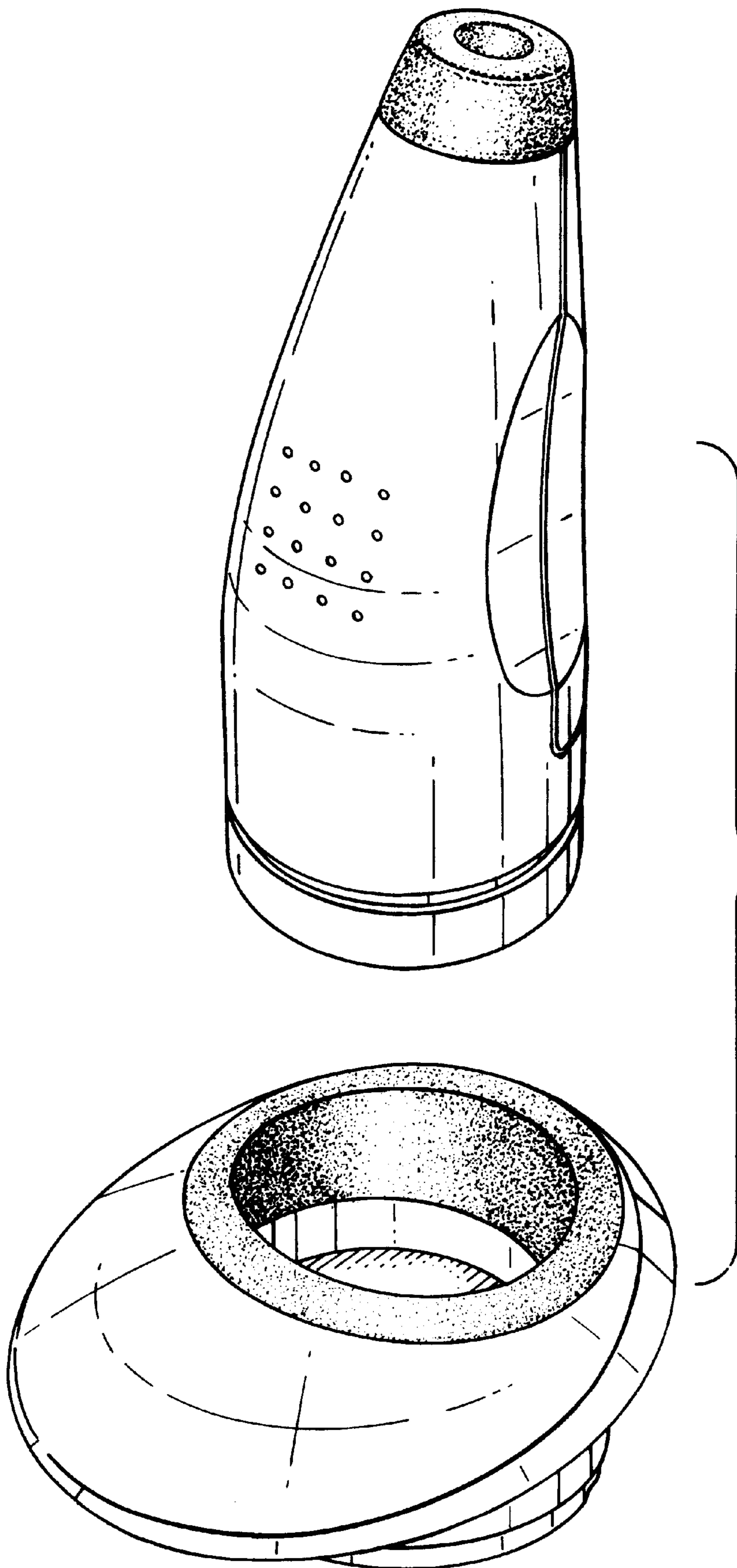


Fig. 1.

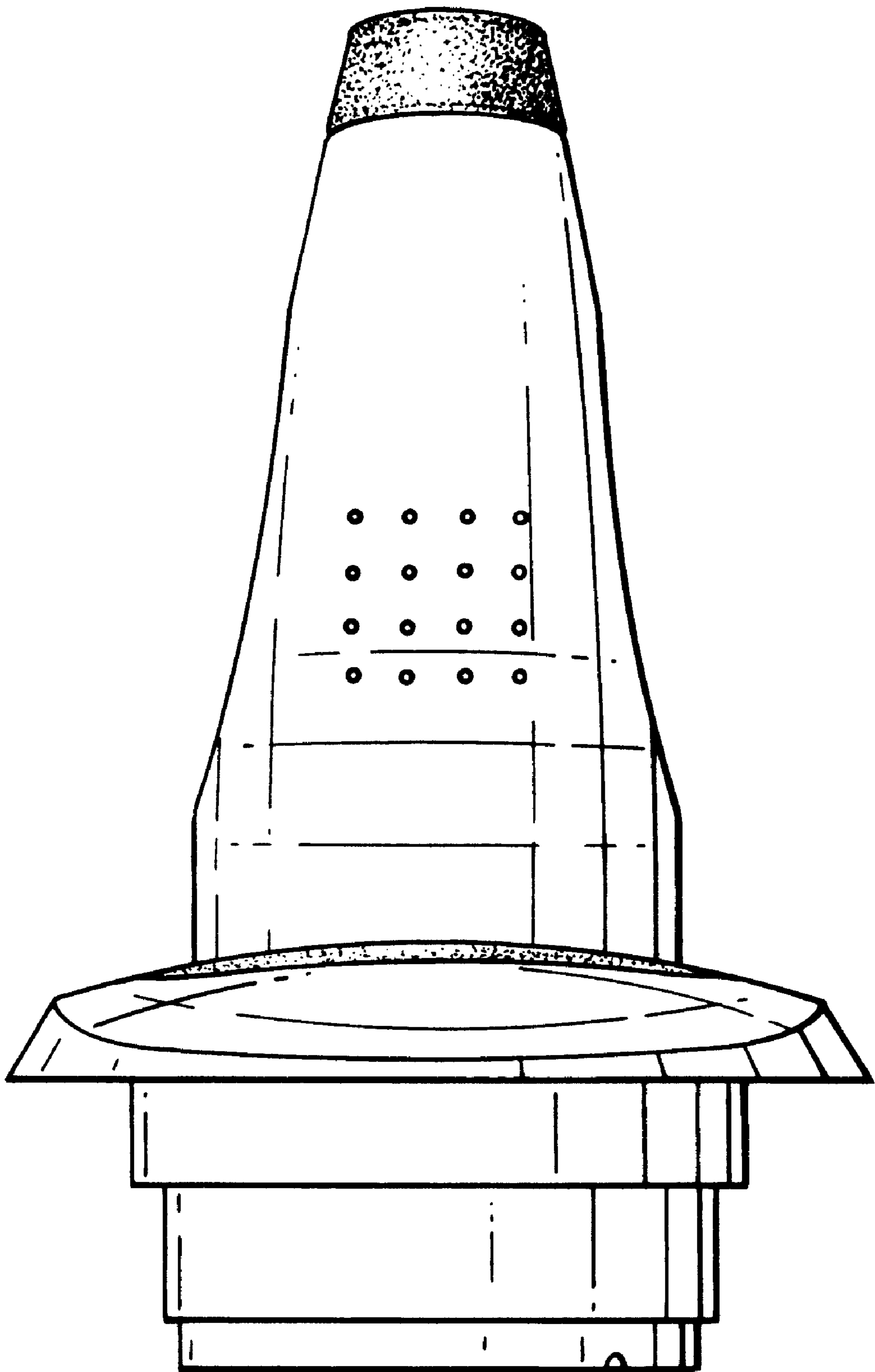


Fig.2.

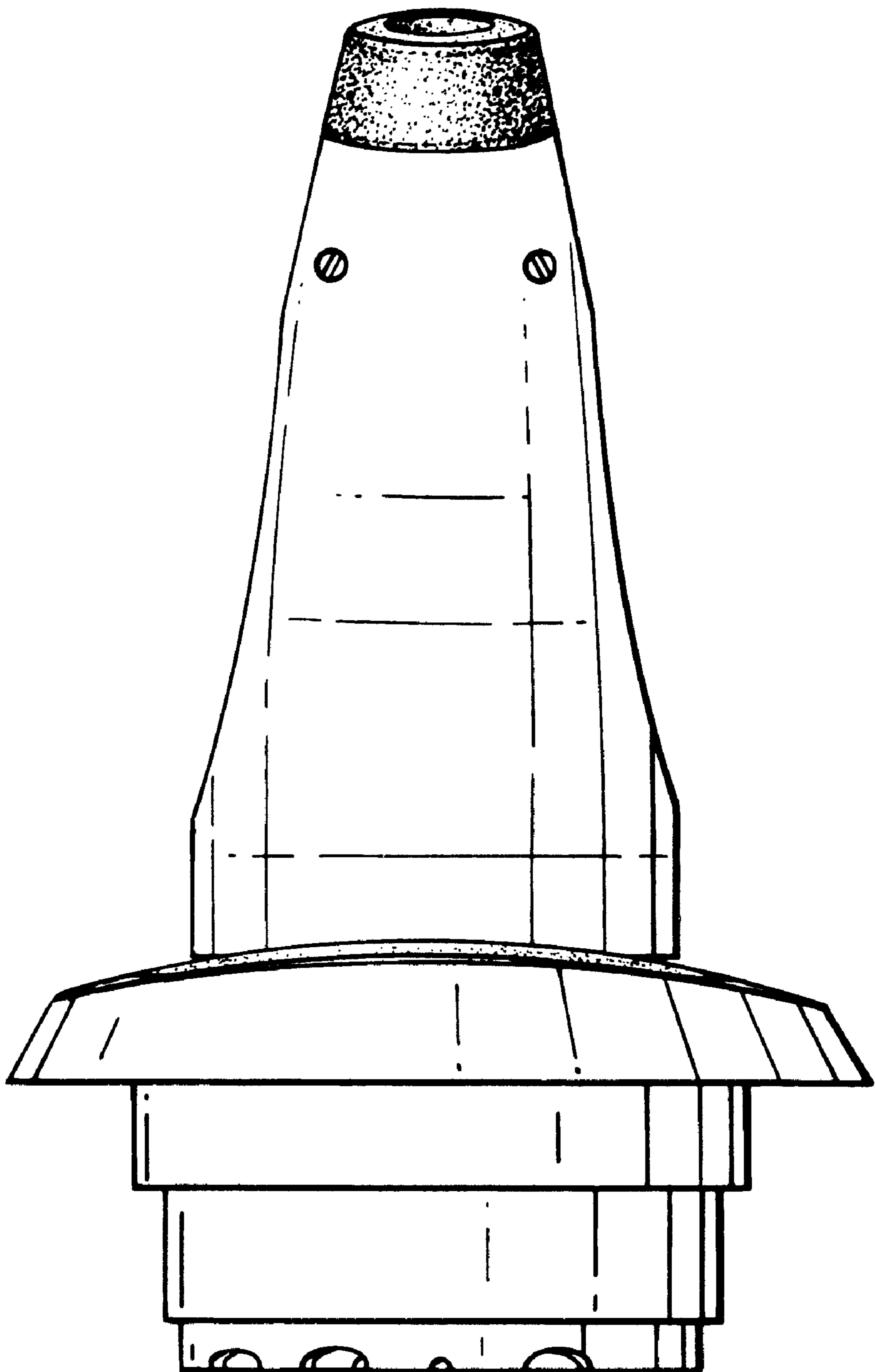


Fig.3.

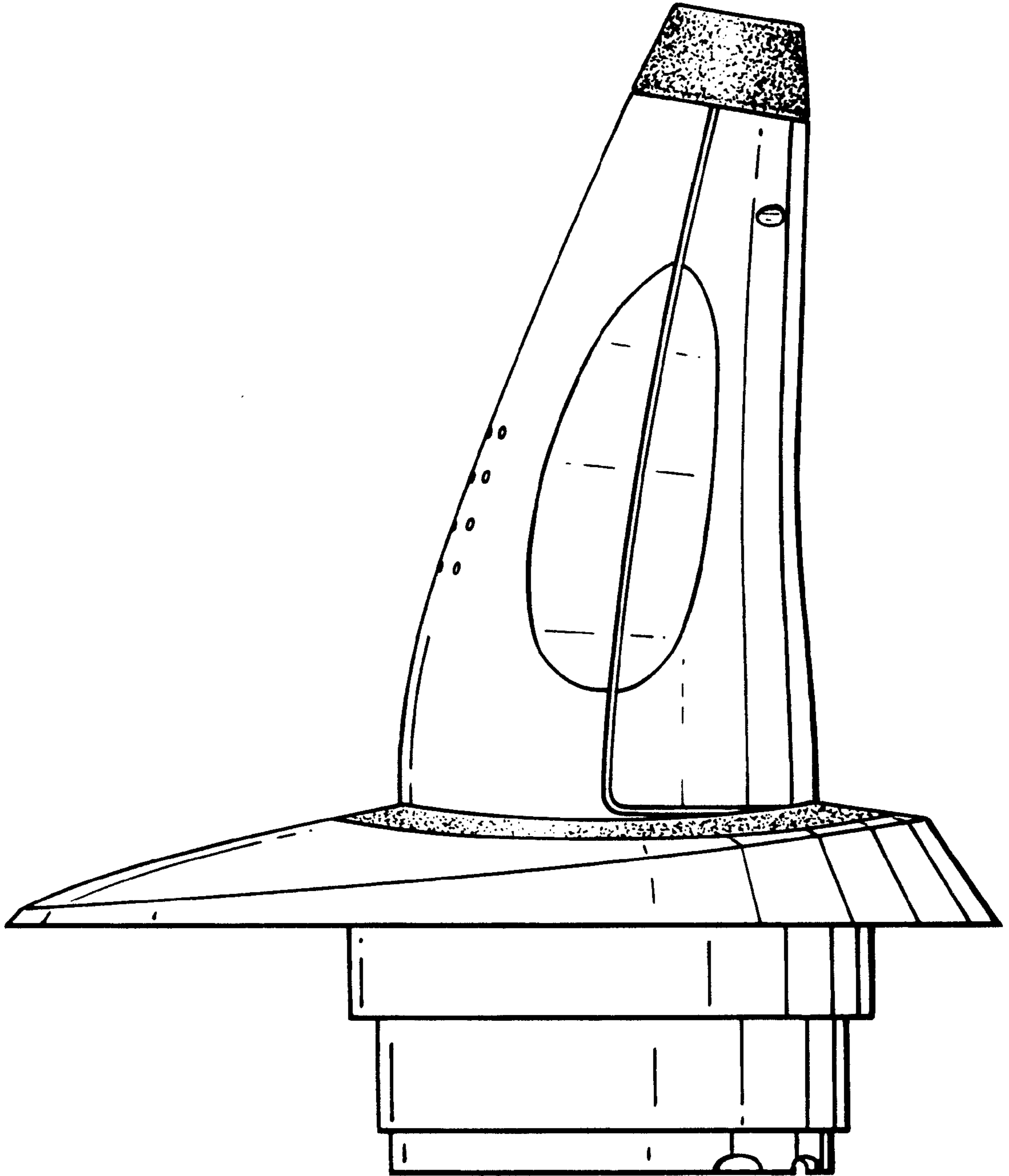


Fig.4.

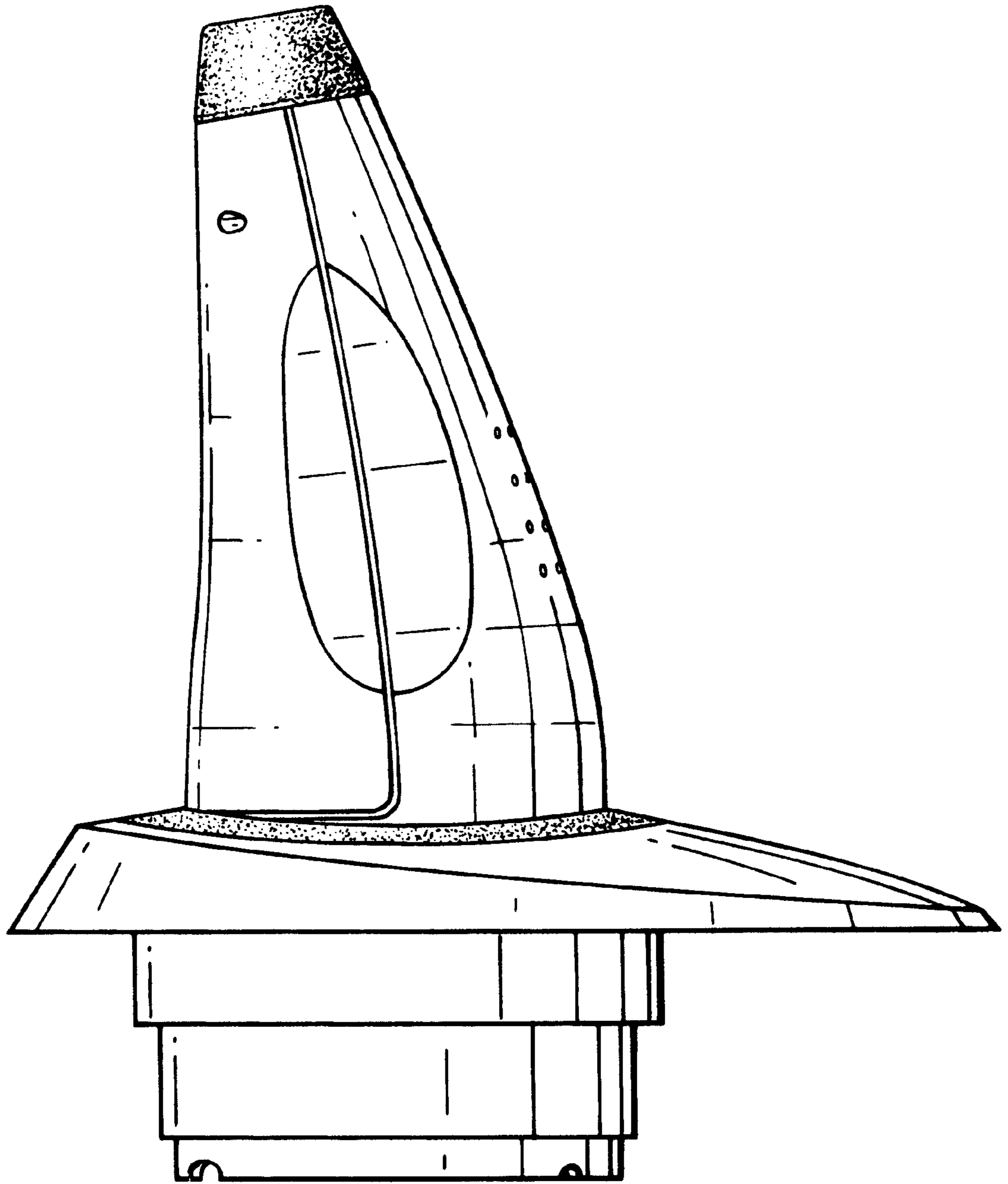


Fig.5.

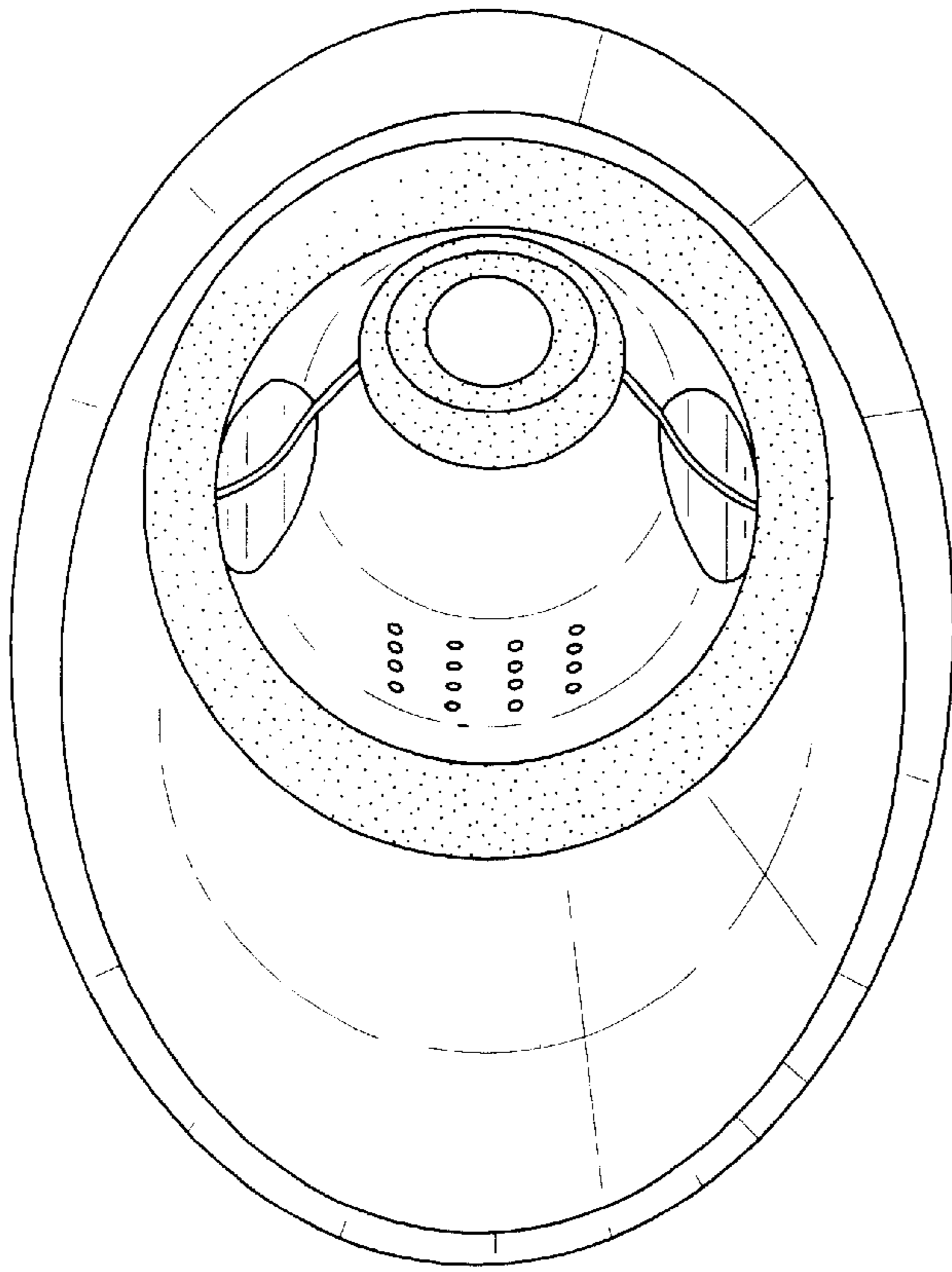


Fig. 6.

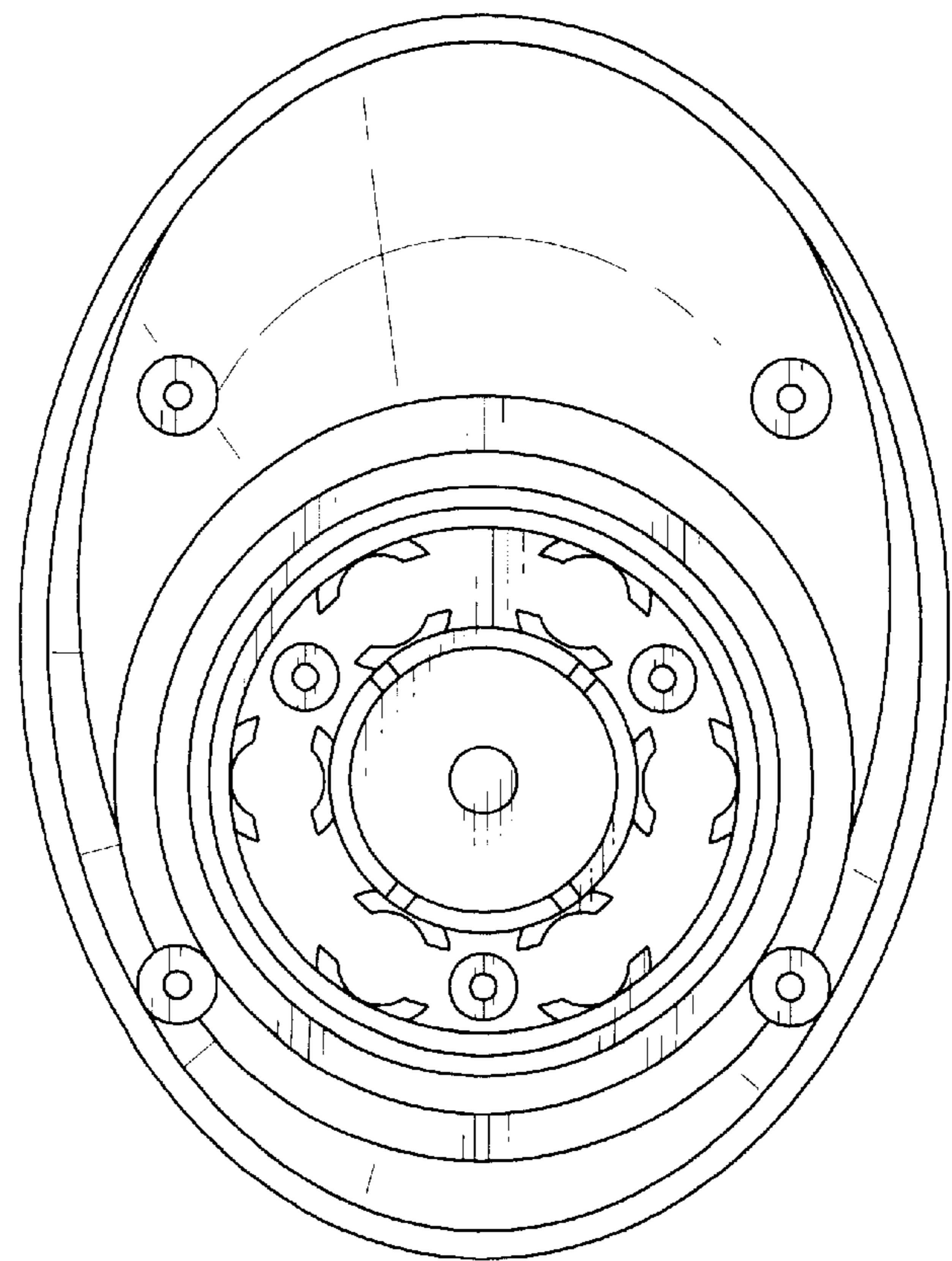


Fig. 7.

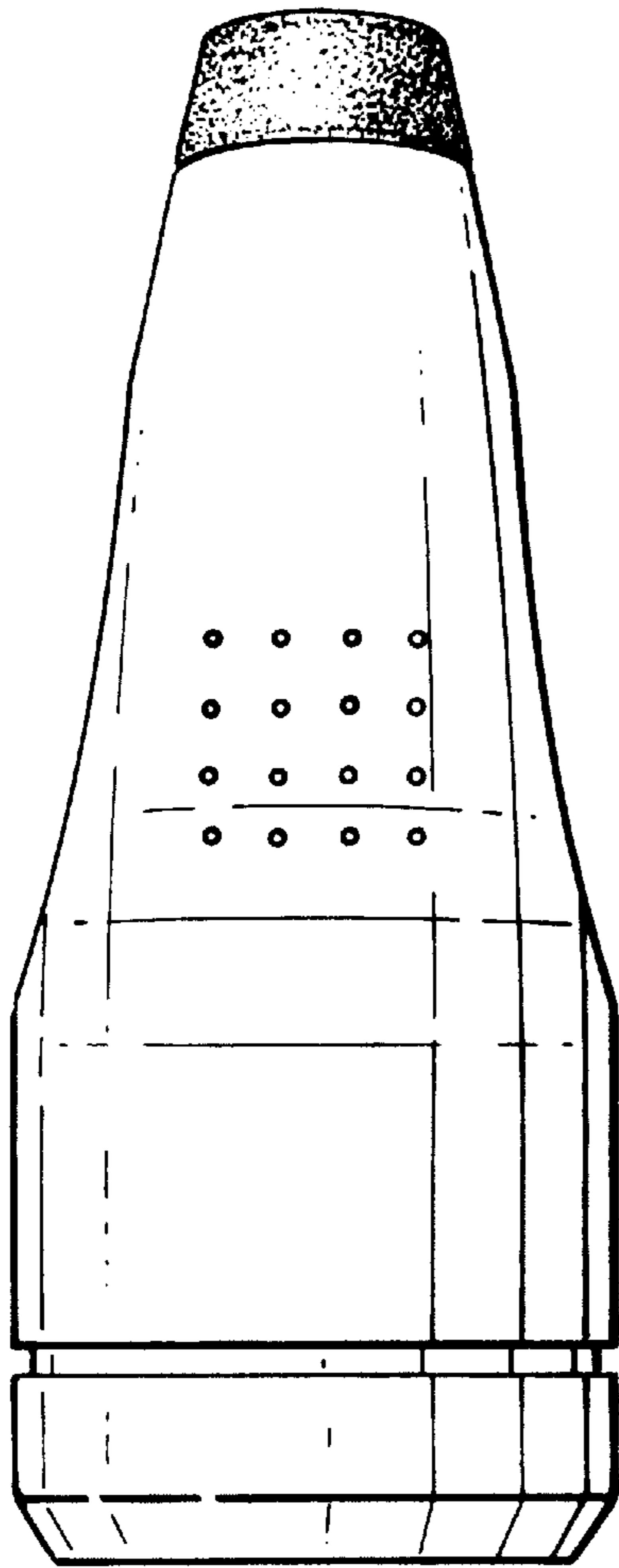


Fig. 8.

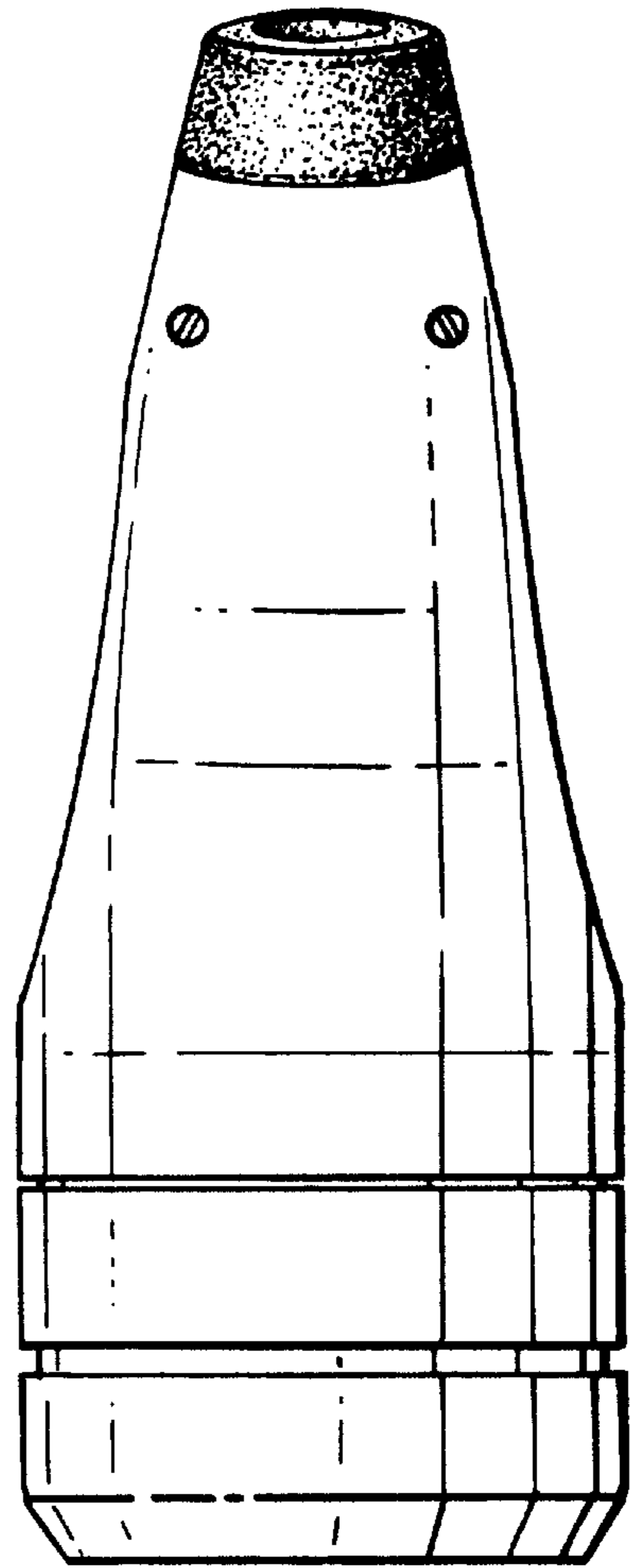


Fig. 9.

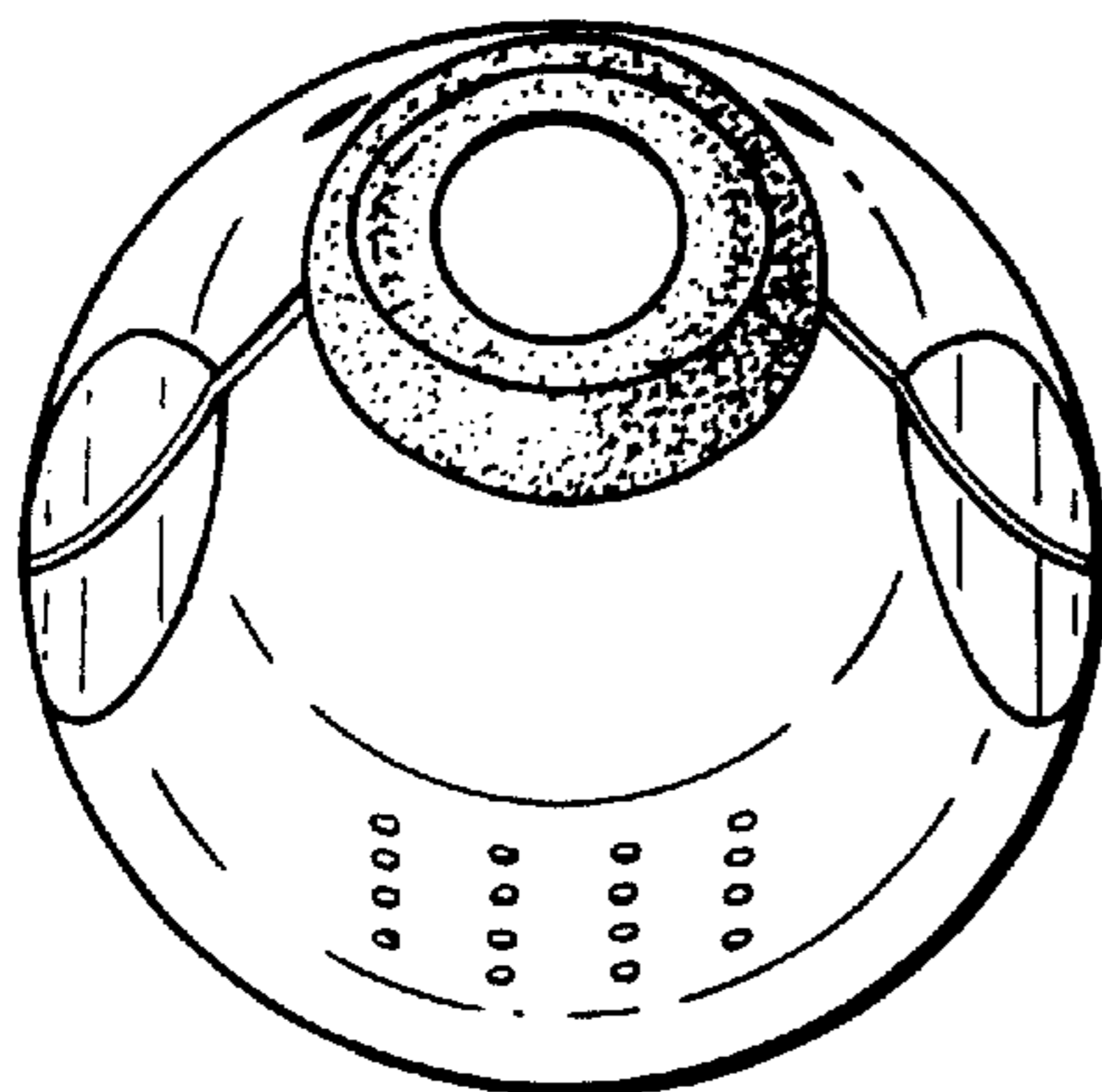


Fig. 10.

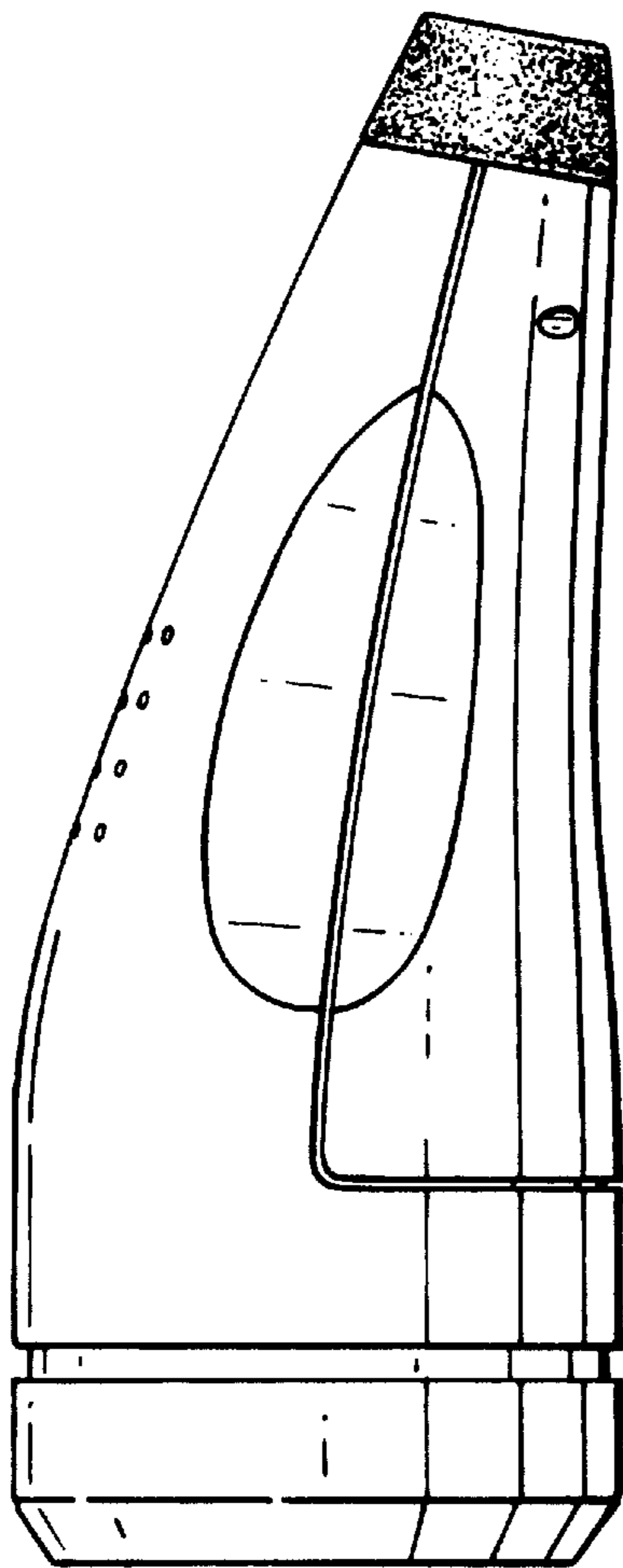


Fig.11.

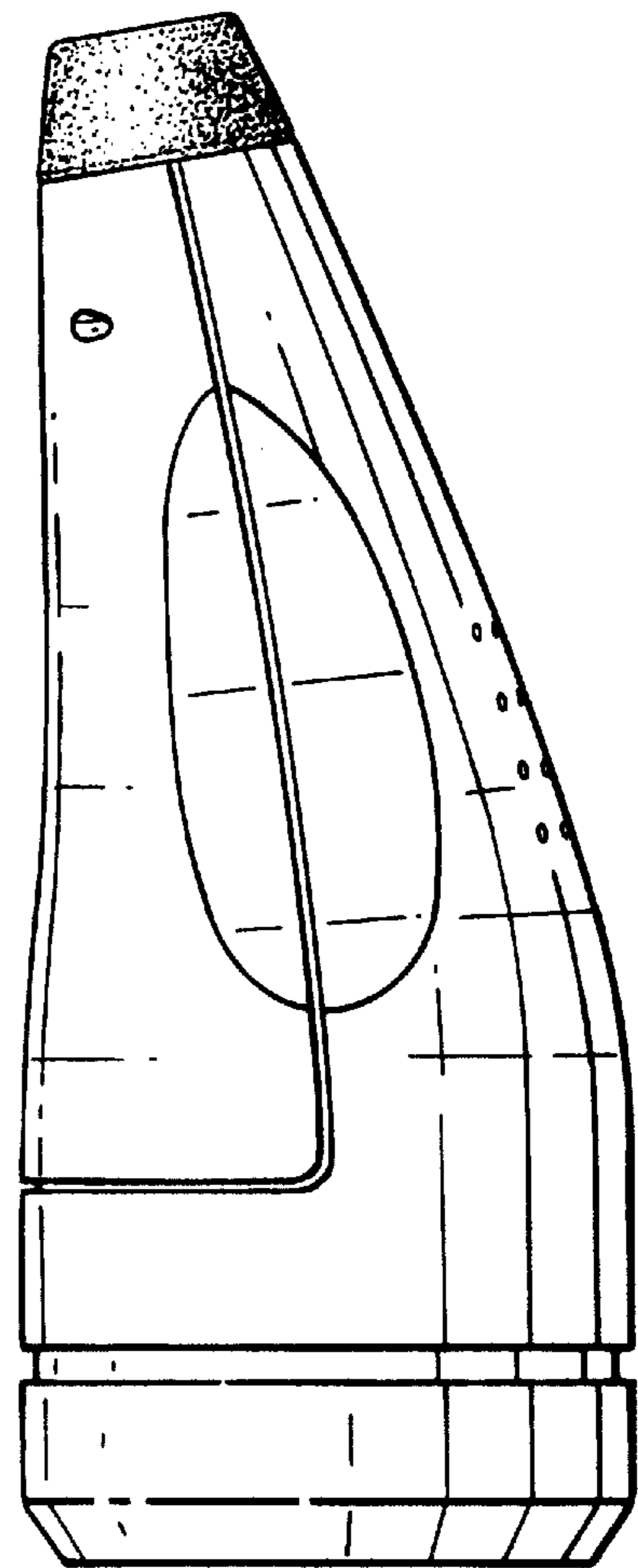


Fig.12.

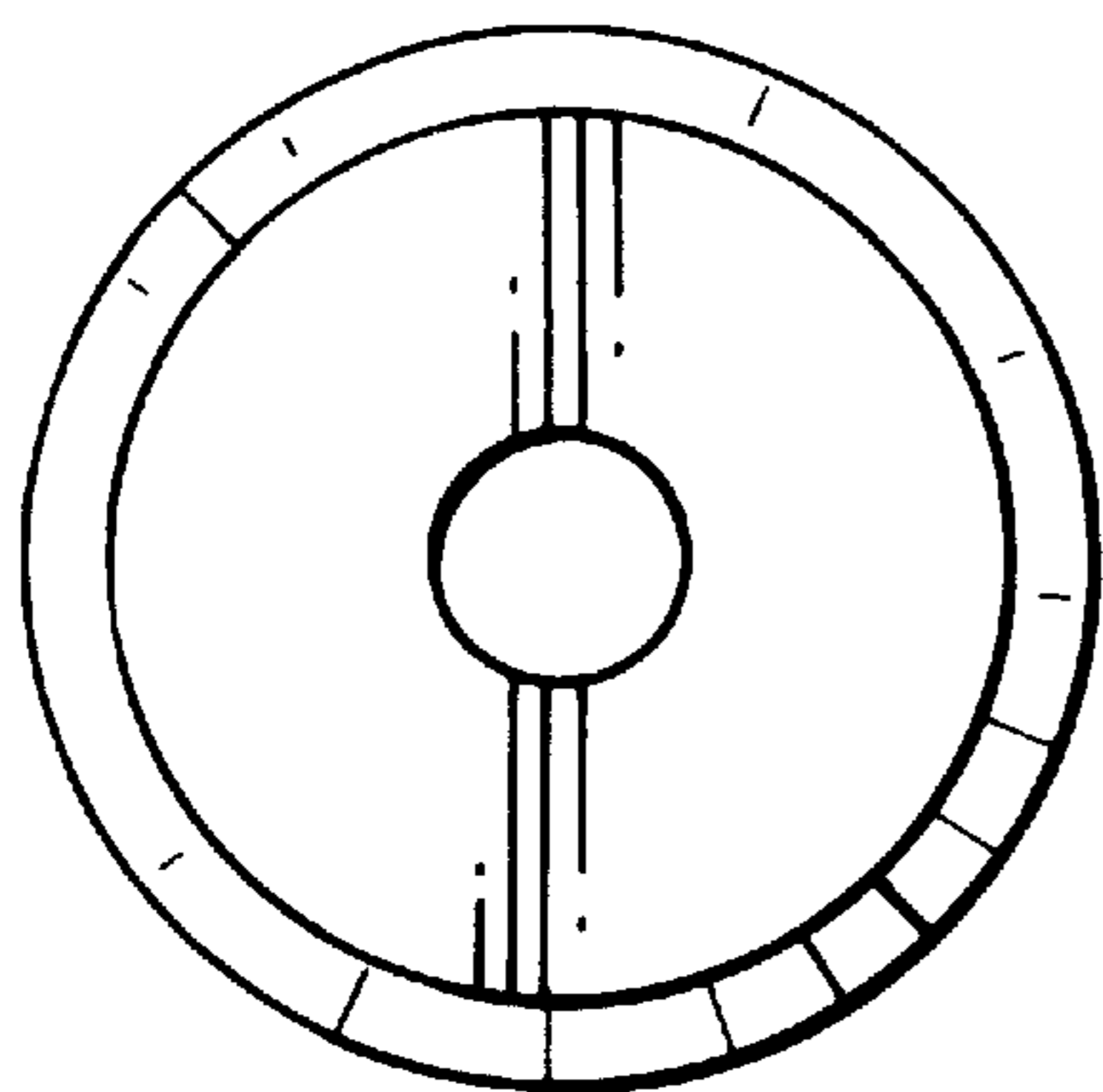


Fig.13.

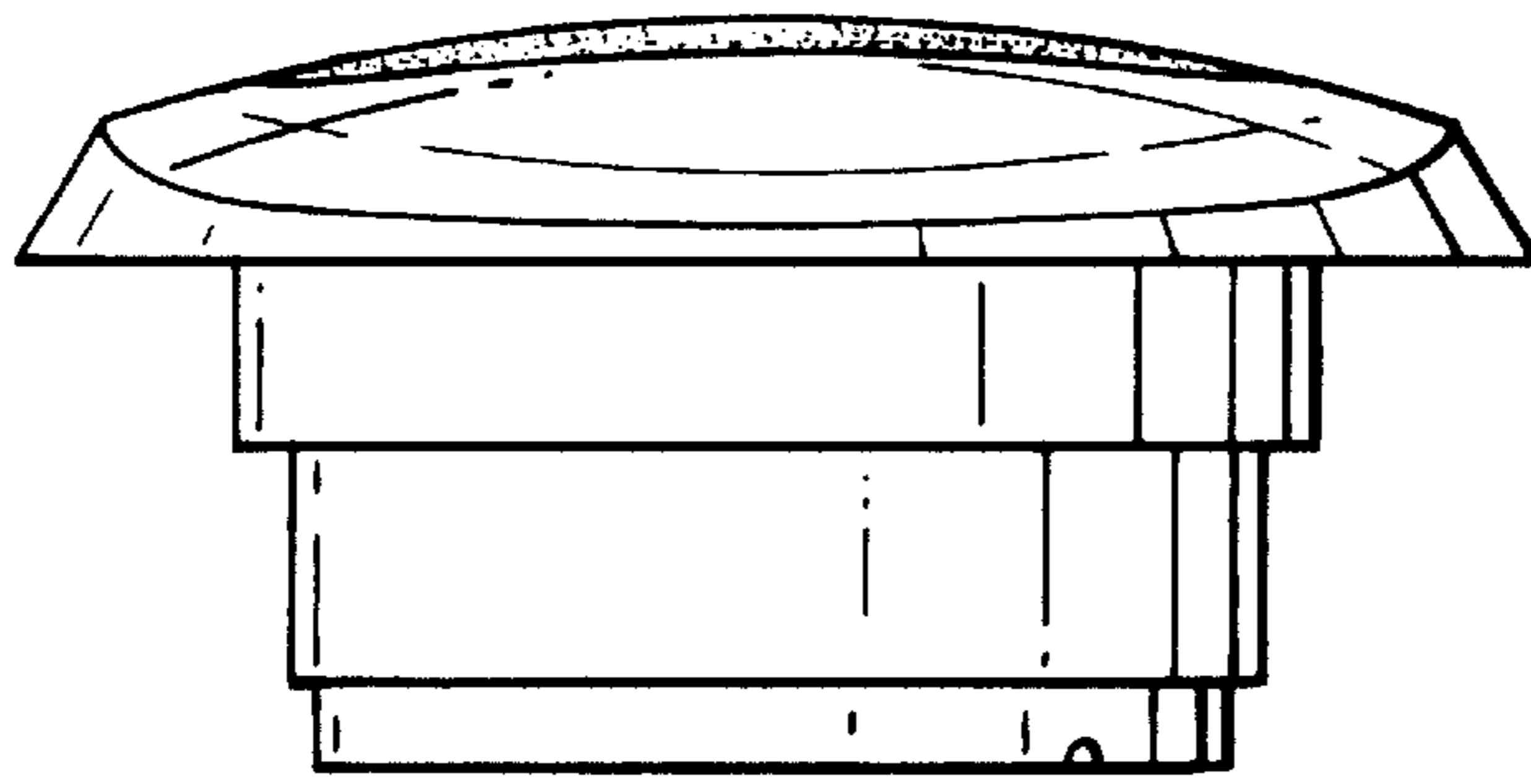


Fig. 14.

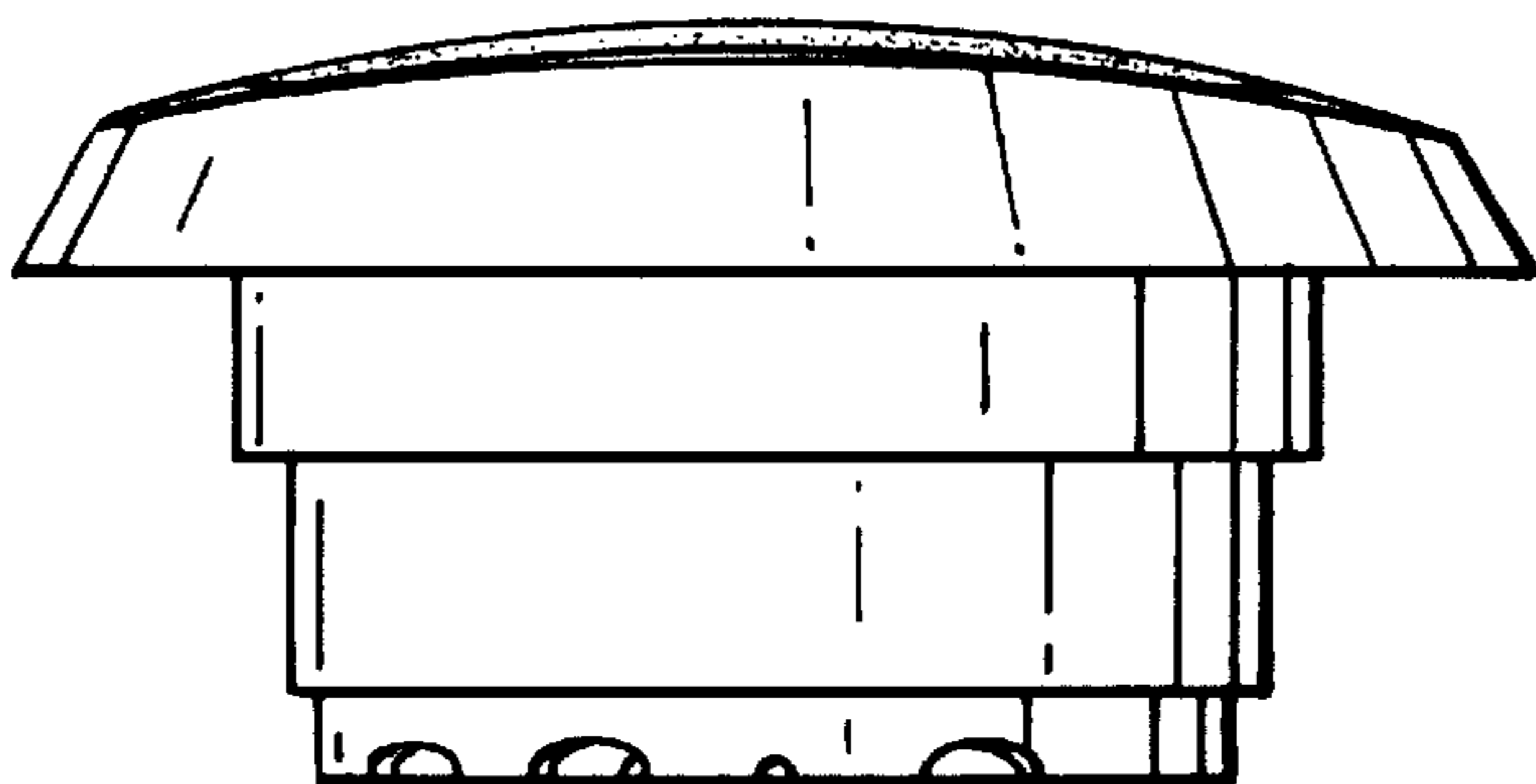


Fig. 15.

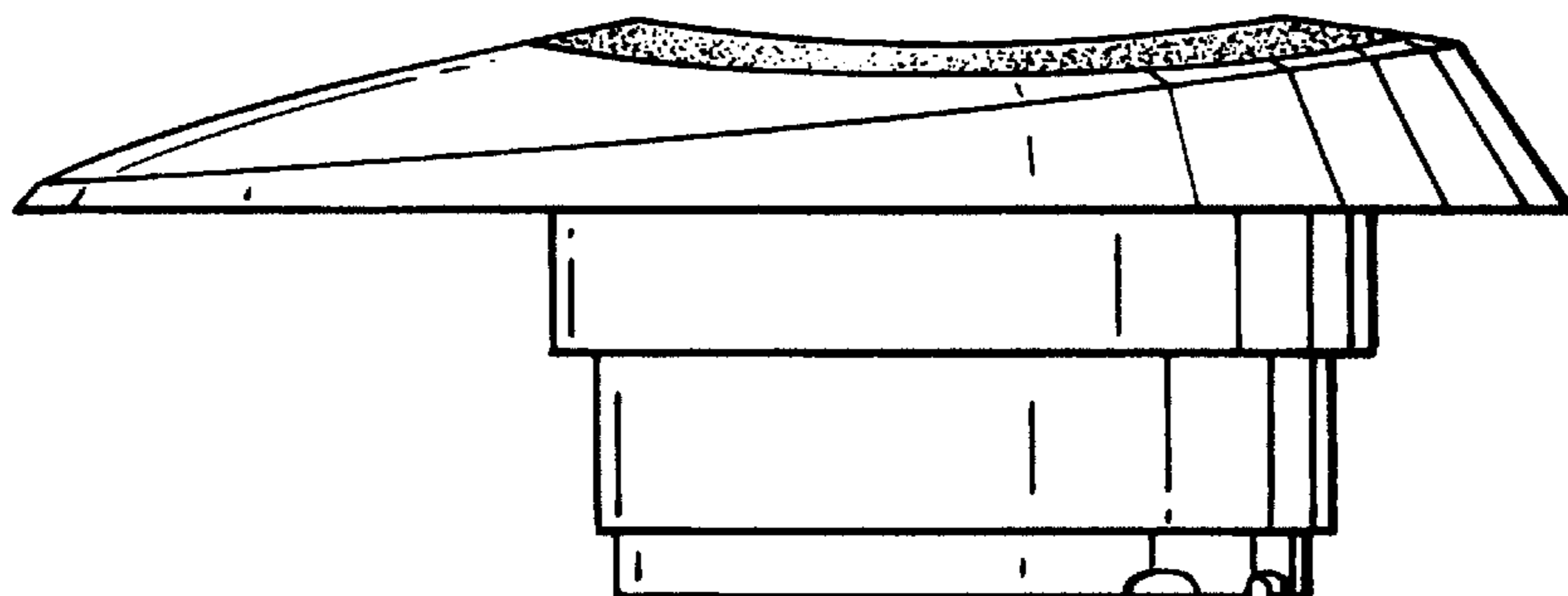


Fig. 16.

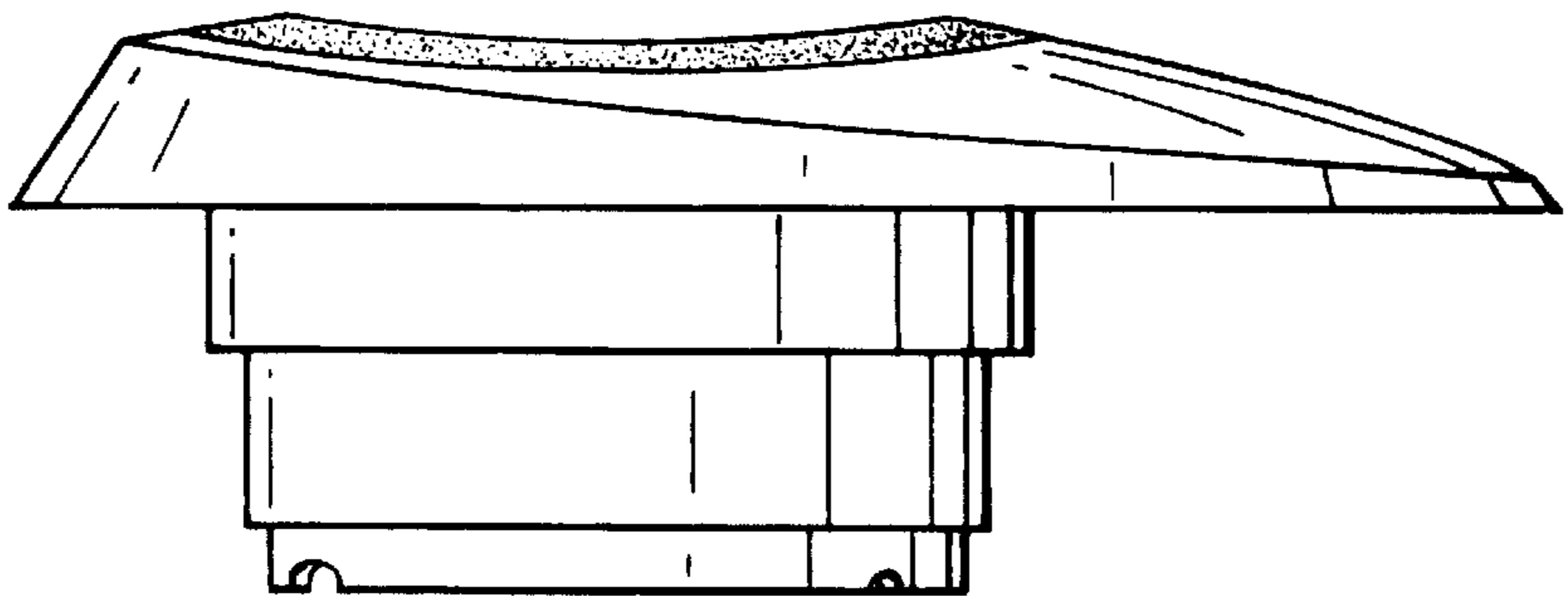


Fig. 17.

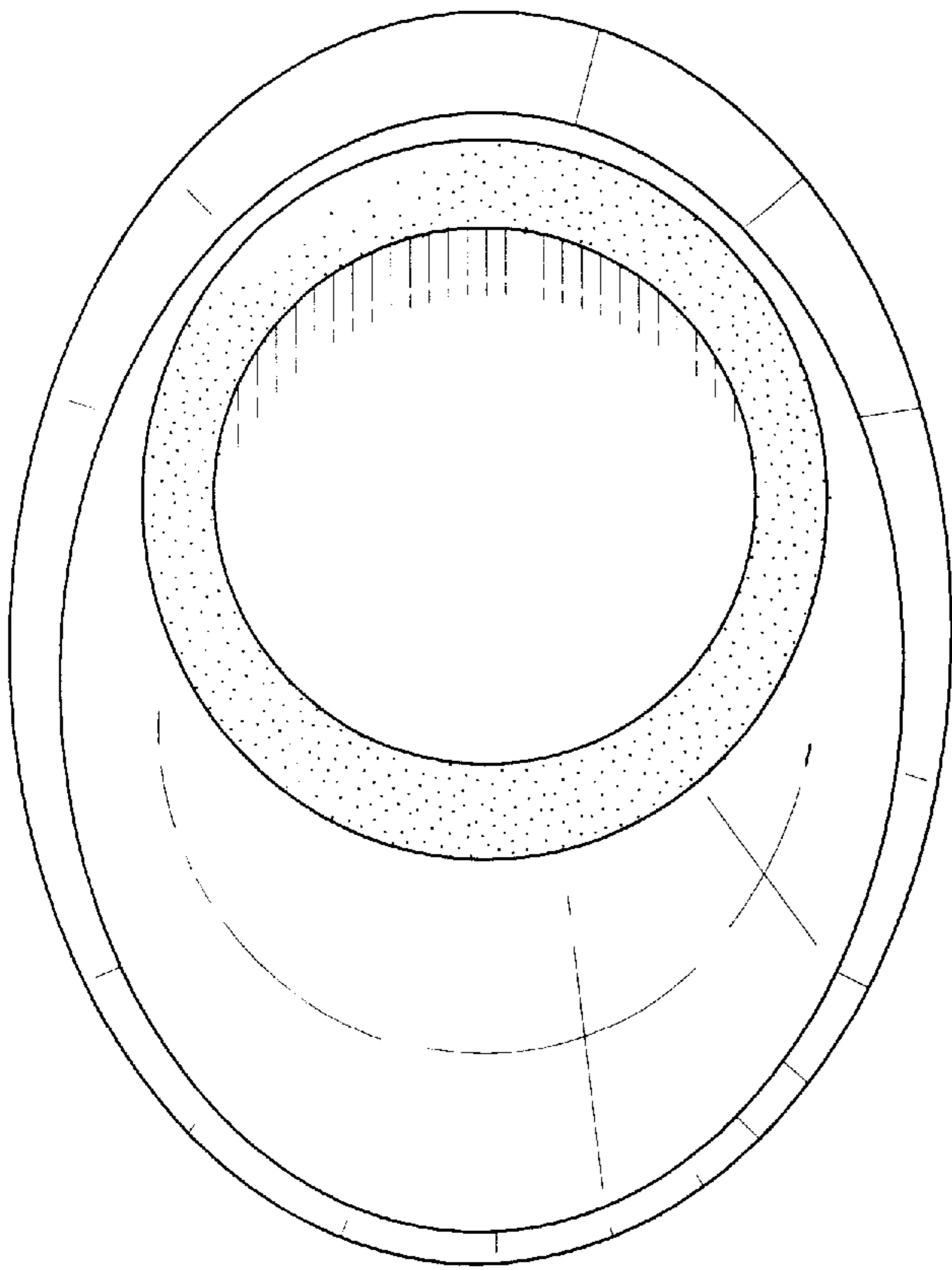


Fig. 18.

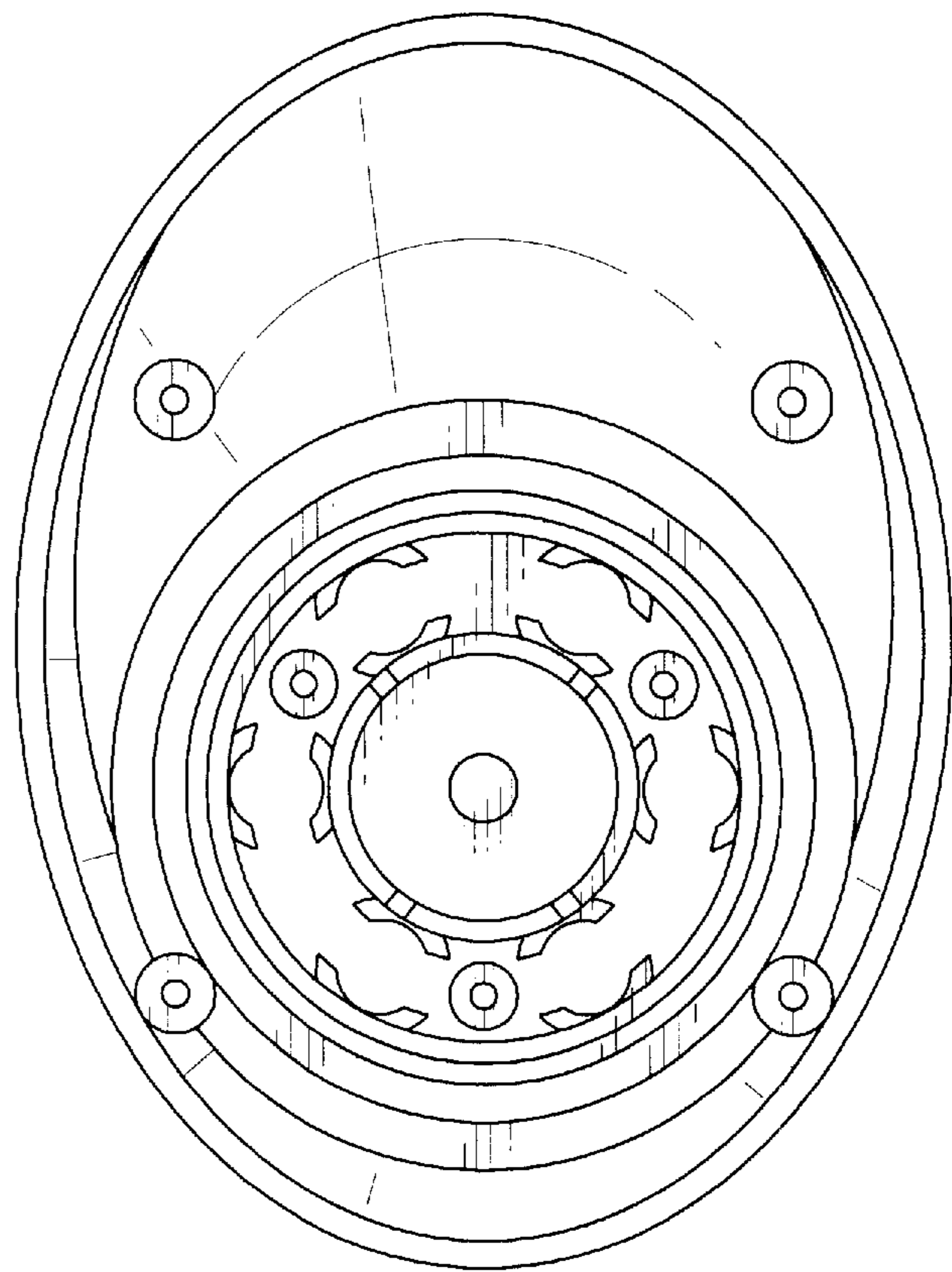


Fig. 19.