



US00D473804S

(12) **United States Design Patent**
Olson

(10) **Patent No.:** **US D473,804 S**

(45) **Date of Patent:** **** Apr. 29, 2003**

(54) **CHALKLINE HOLDER**

(74) *Attorney, Agent, or Firm*—Wood, Phillips, Katz, Clark & Mortimer

(76) Inventor: **R. Brian Olson**, 1608 Ambleside Cir., Naperville, IL (US) 60540

(57) **CLAIM**

(**) Term: **14 Years**

The ornamental design for a chalkline holder, as shown and described.

(21) Appl. No.: **29/165,268**

DESCRIPTION

(22) Filed: **Aug. 7, 2002**

(51) **LOC (7) Cl.** **10-04**

(52) **U.S. Cl.** **D10/65**

(58) **Field of Search** D10/65; 33/413, 33/414, 755, 756, 760; 242/385.4, 378.1

FIG. 1 is a bottom, side and front perspective view of my design for a chalkline holder;
FIG. 2 is a front elevation view thereof;
FIG. 3 is a rear elevation view thereof;
FIG. 4 is an elevation view thereof from the side opposite that in FIG. 1;
FIG. 5 is an elevation view thereof from the same side as in FIG. 1;
FIG. 6 is a bottom view thereof; and,
FIG. 7 is a top view thereof.

(56) **References Cited**

U.S. PATENT DOCUMENTS

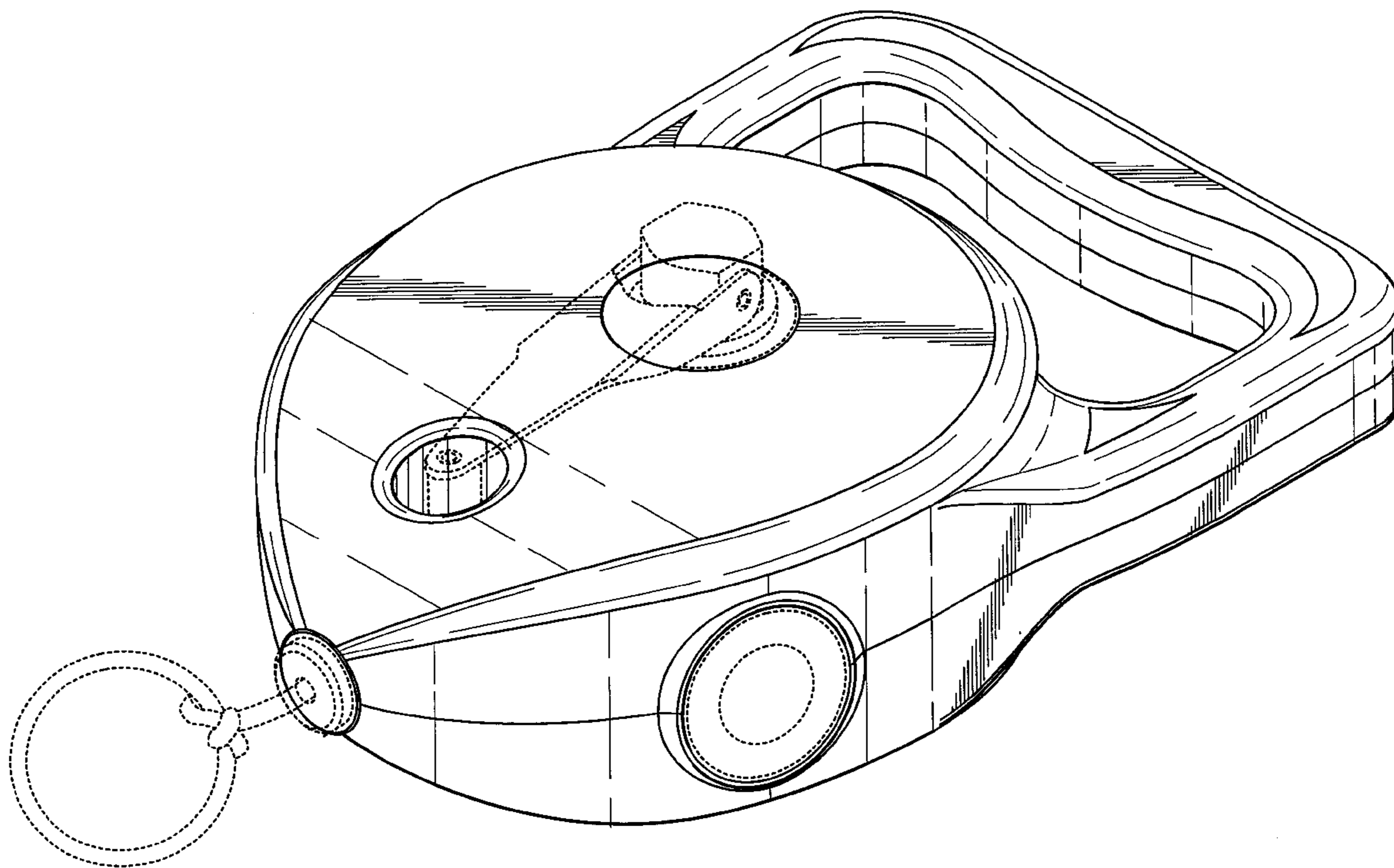
6,199,785 B1 * 3/2001 Paugh 242/385.4
D454,804 S * 3/2002 Zuniga D10/65

The portions of the chalkline holder shown in dotted lines do not constitute a part of the claimed design.

* cited by examiner

Primary Examiner—Antoine Duval Davis

1 Claim, 4 Drawing Sheets



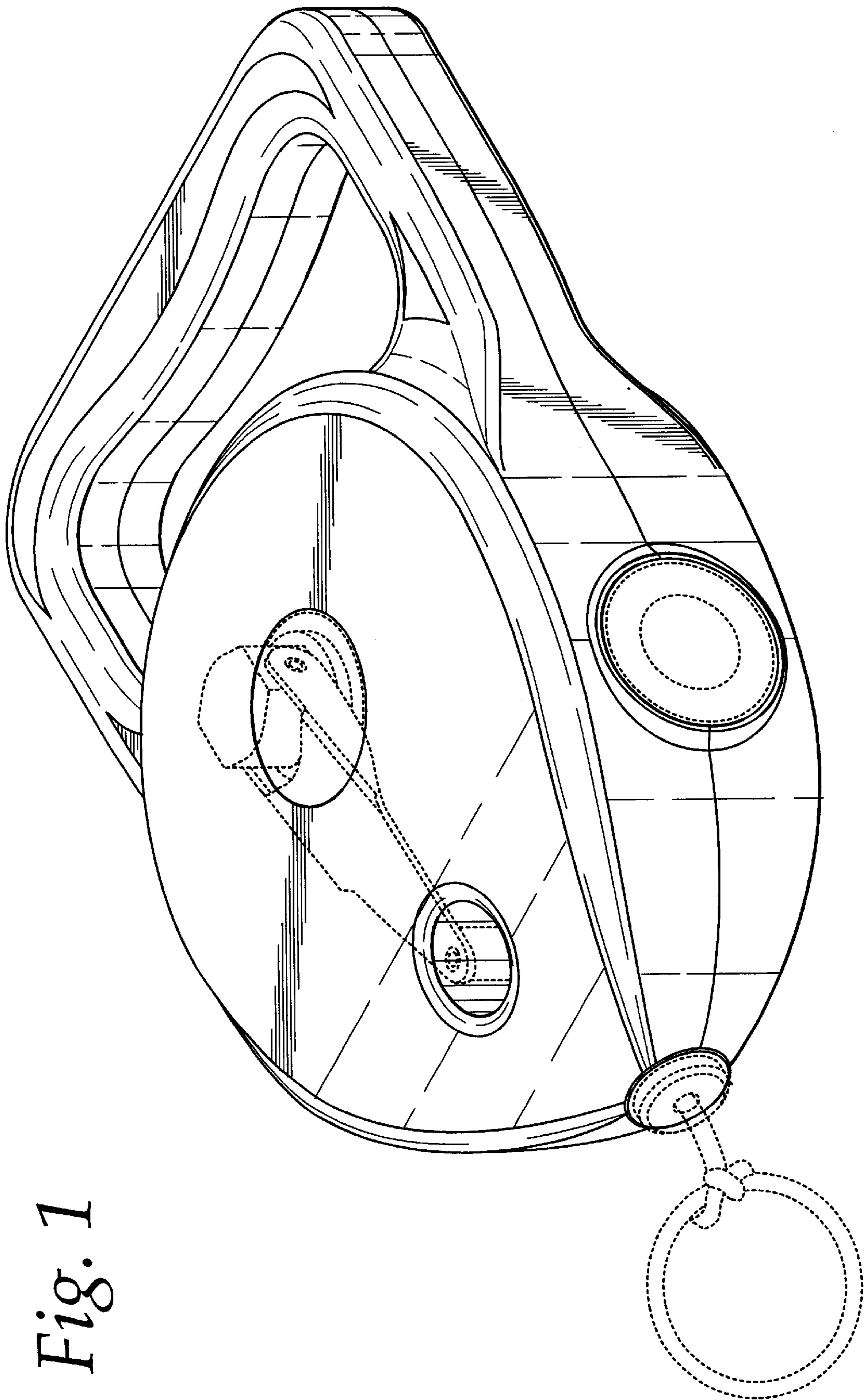


Fig. 1

Fig. 3

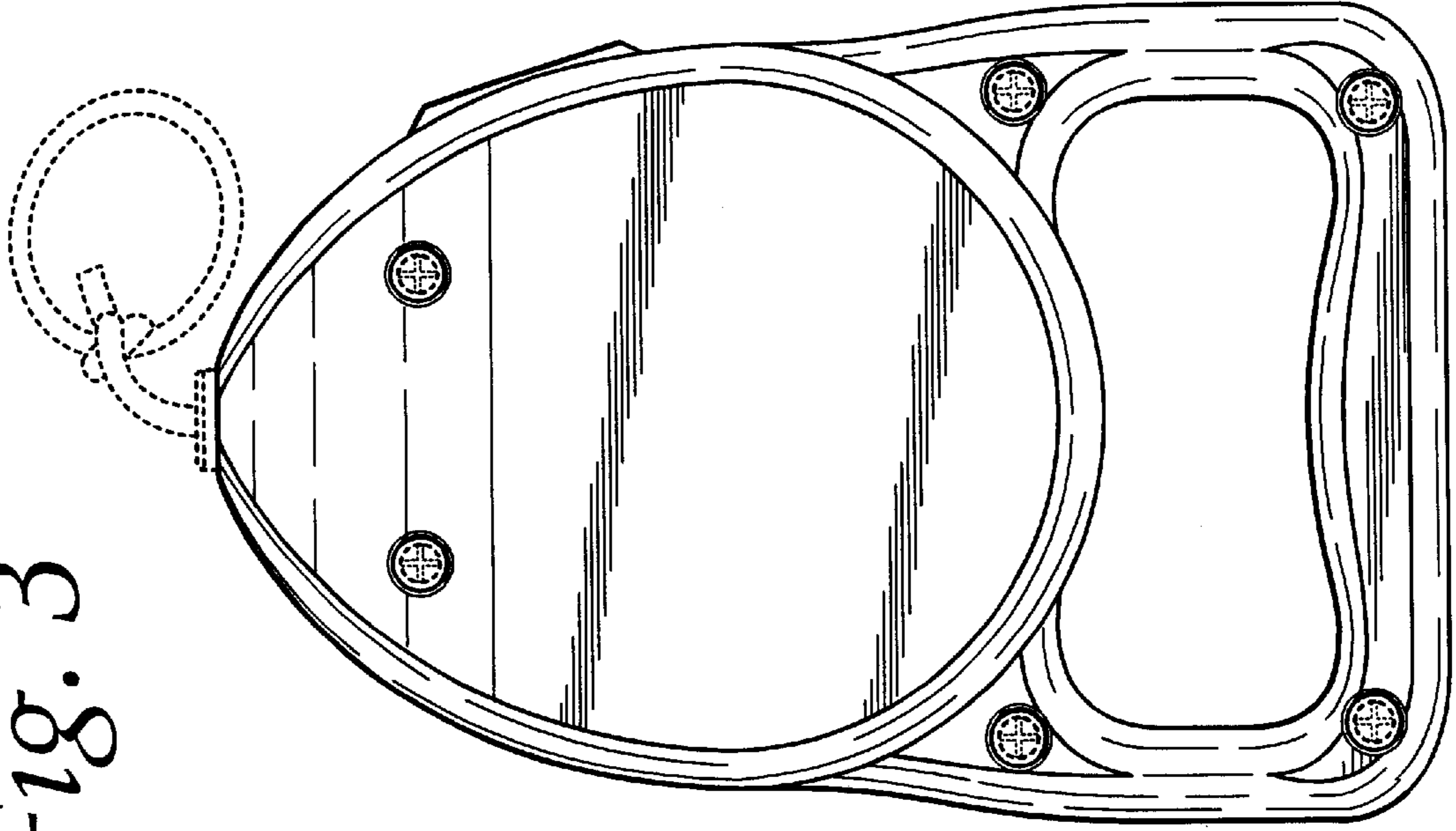


Fig. 2

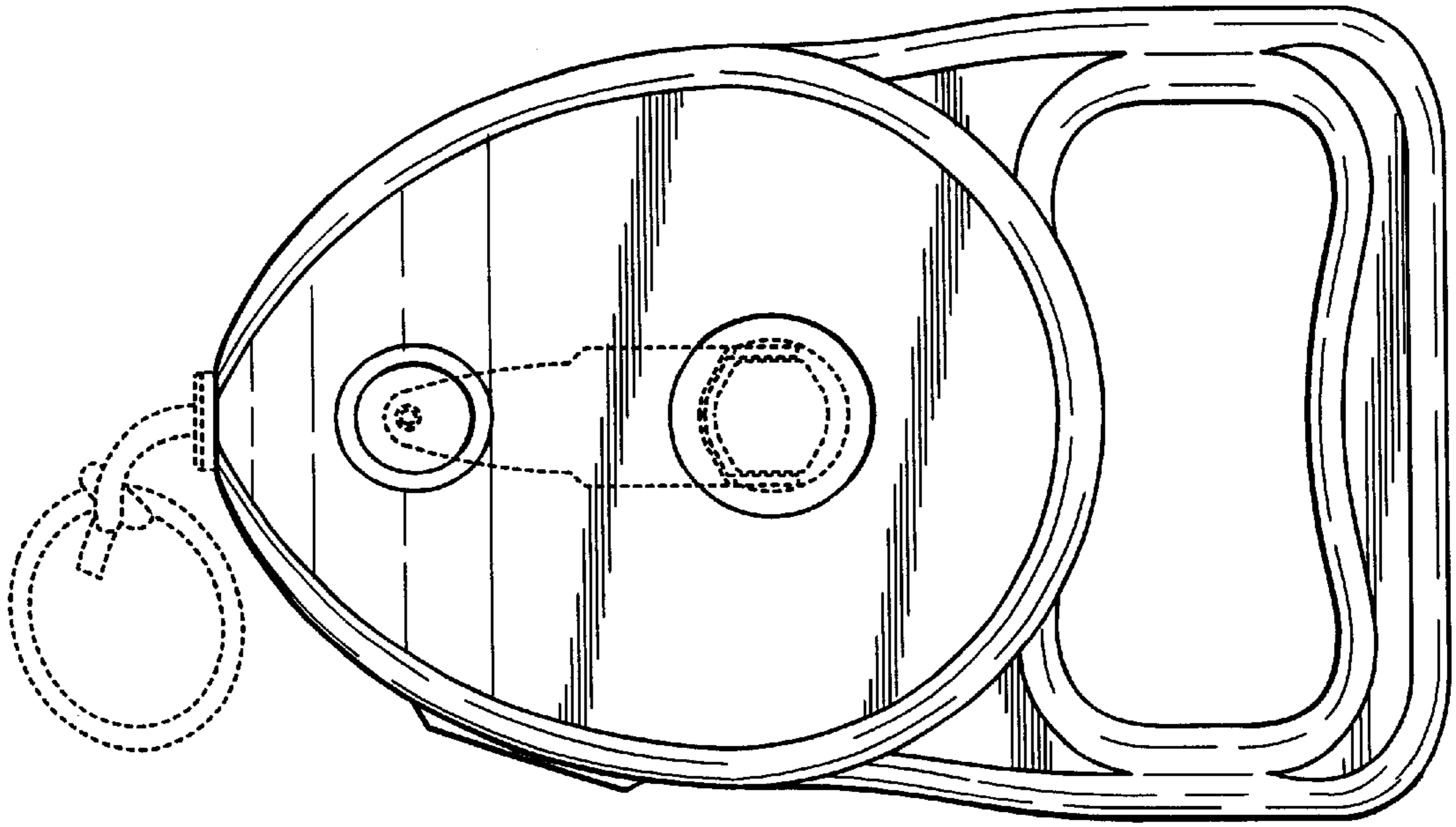


Fig. 4

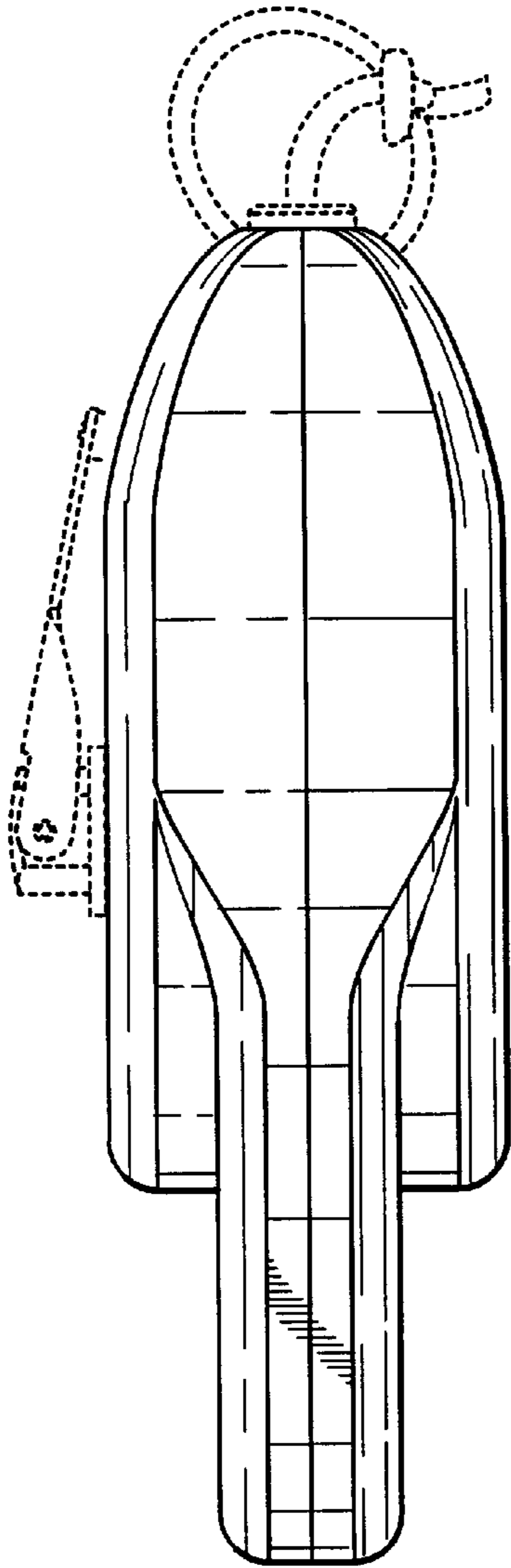


Fig. 5

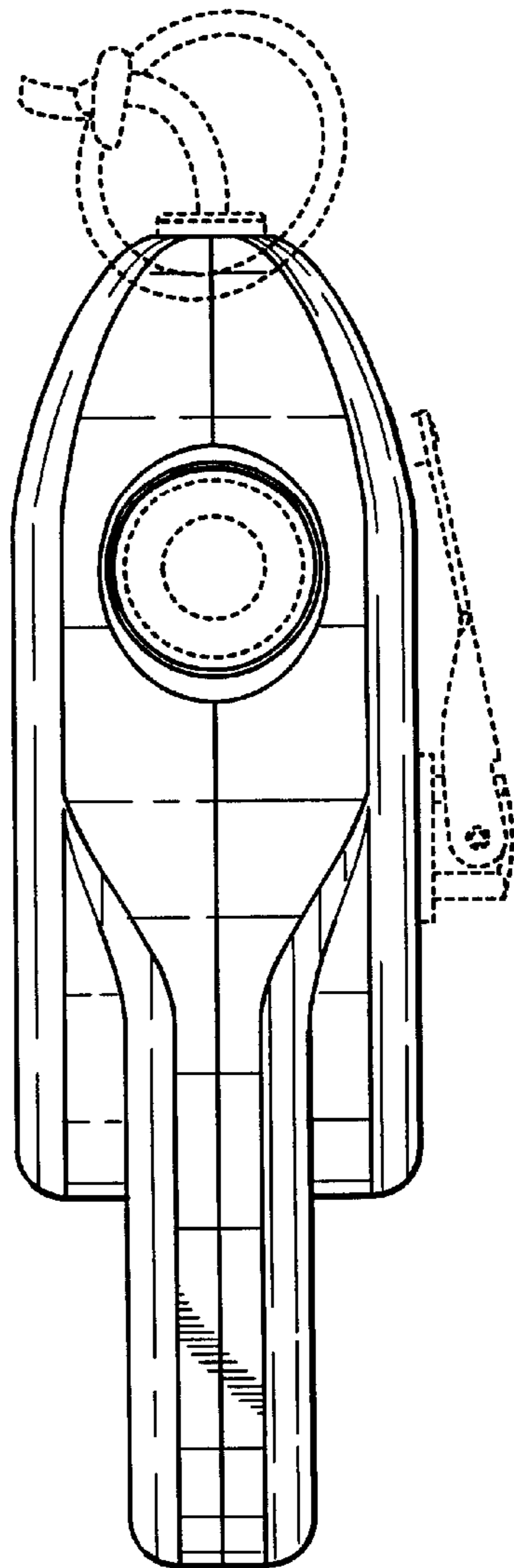


Fig. 6

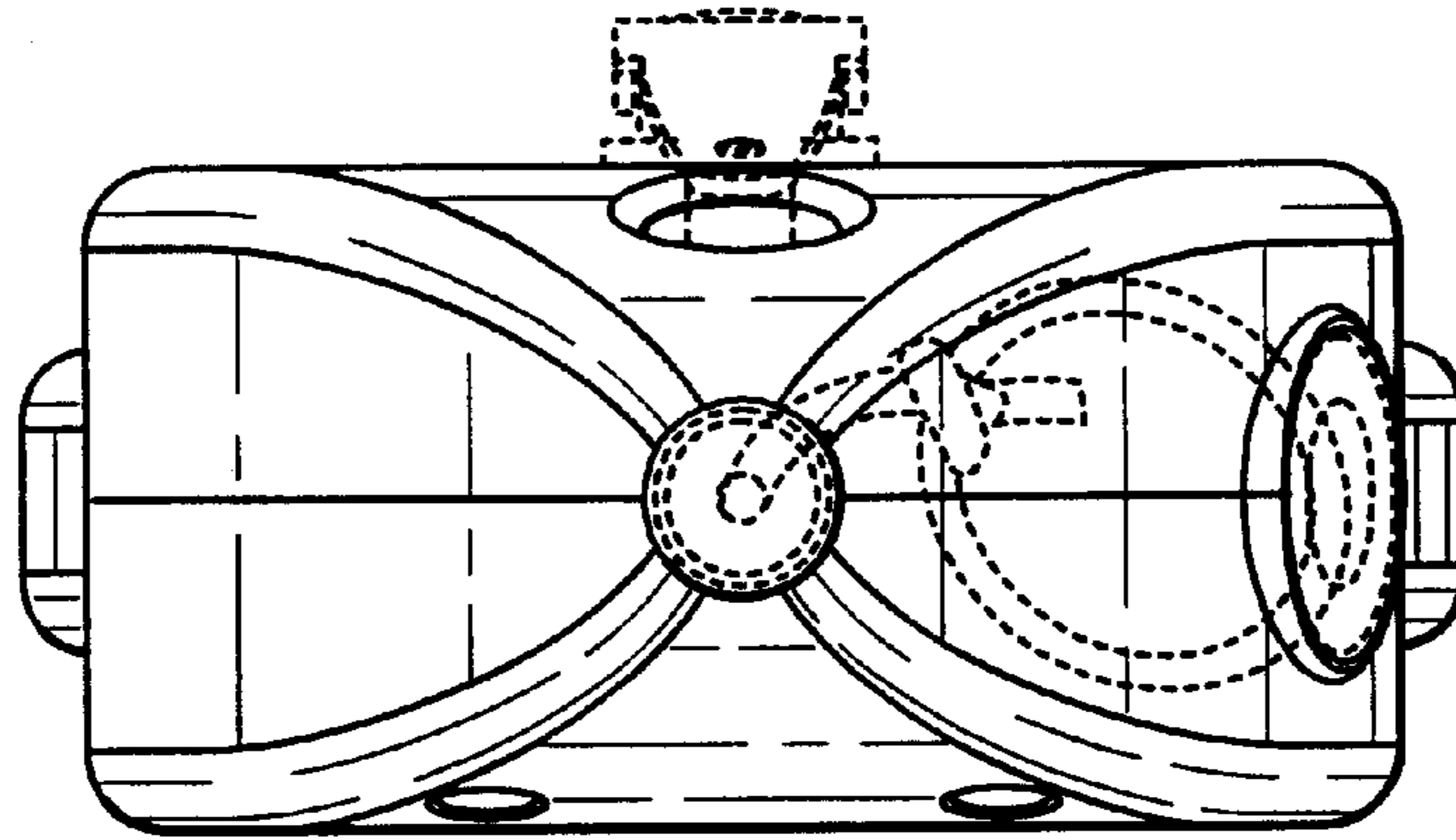


Fig. 7

