



US00D473798S

(12) **United States Design Patent**
Fu et al.

(10) **Patent No.:** **US D473,798 S**
(45) **Date of Patent:** **** Apr. 29, 2003**

(54) **WATCH HEAD**

D456,283 S * 4/2002 Baumann D10/32

(75) Inventors: **Tsang Man Fu, T.S.T (HK); Wong Kwok Leung, T.S.T. (HK)**

OTHER PUBLICATIONS

Swiss Watch & Jewelry Swiss Watch & Jewelry Journal—Feb. 1980—p. 190—Watches at Middle.*

(73) Assignee: **Timex Group B.V. (NL)**

* cited by examiner

(**) Term: **14 Years**

Primary Examiner—Nelson C. Holtje

(21) Appl. No.: **29/153,870**

(74) *Attorney, Agent, or Firm*—Carmody & Torrance LLP

(22) Filed: **Nov. 9, 2001**

(57) **CLAIM**

(51) **LOC (7) Cl.** **10-02**

The ornamental design for a watch head, as shown and described.

(52) **U.S. Cl.** **D10/30**

(58) **Field of Search** D10/30–39; 368/280–282, 368/276–277, 285

DESCRIPTION

(56) **References Cited**

FIG. 1 is a top plan view of a watch head showing our new design;

FIG. 2 is a bottom plan view thereof;

FIG. 3 is a right side elevational view thereof, the left side being mirror image; and,

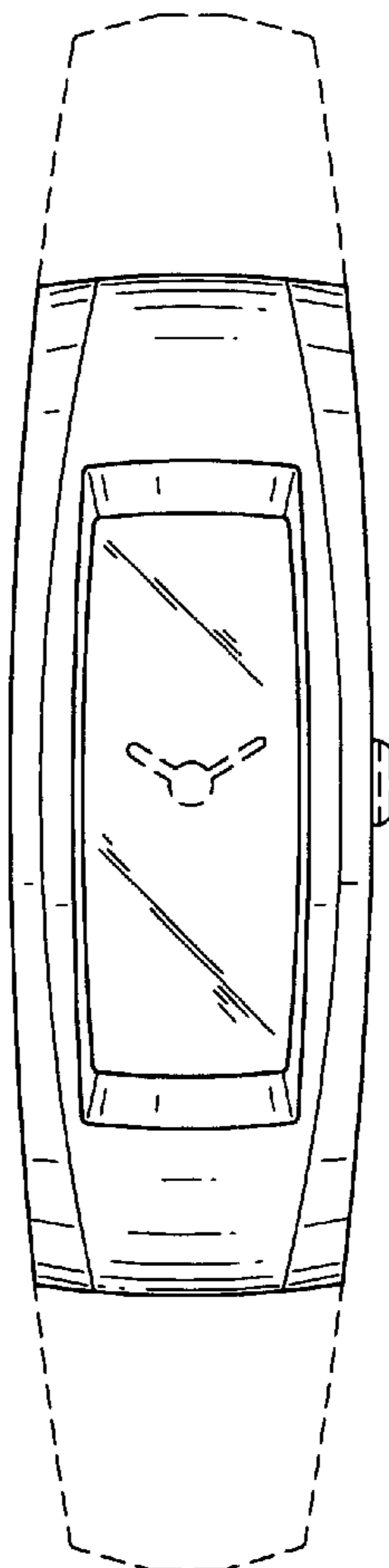
FIG. 4 is a first end elevational view thereof, the second end being mirror image.

The broken-line showings are environmental only and form no part of the claimed design.

U.S. PATENT DOCUMENTS

D378,064 S	*	2/1997	Wild	D10/32
D419,079 S	*	1/2000	Rodkey	D10/31
D438,123 S	*	2/2001	Choi et al.	D10/30
D447,064 S	*	8/2001	Giardiello	D10/32
D447,701 S	*	9/2001	Bodino	D10/32
D449,906 S	*	10/2001	Paterson et al.	D32/31
D455,358 S	*	4/2002	Mauboussin	D10/32

1 Claim, 1 Drawing Sheet



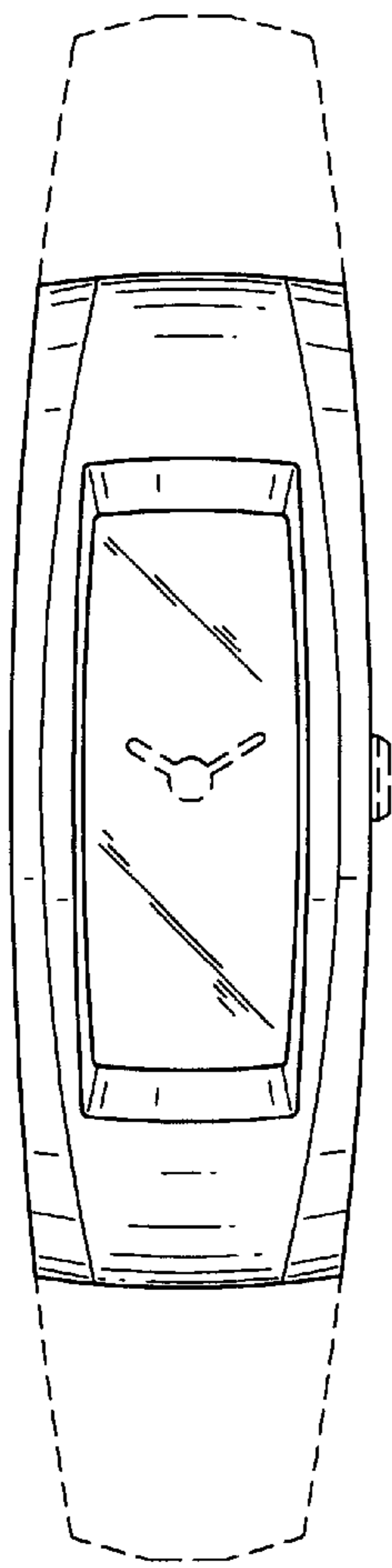


FIG. 1

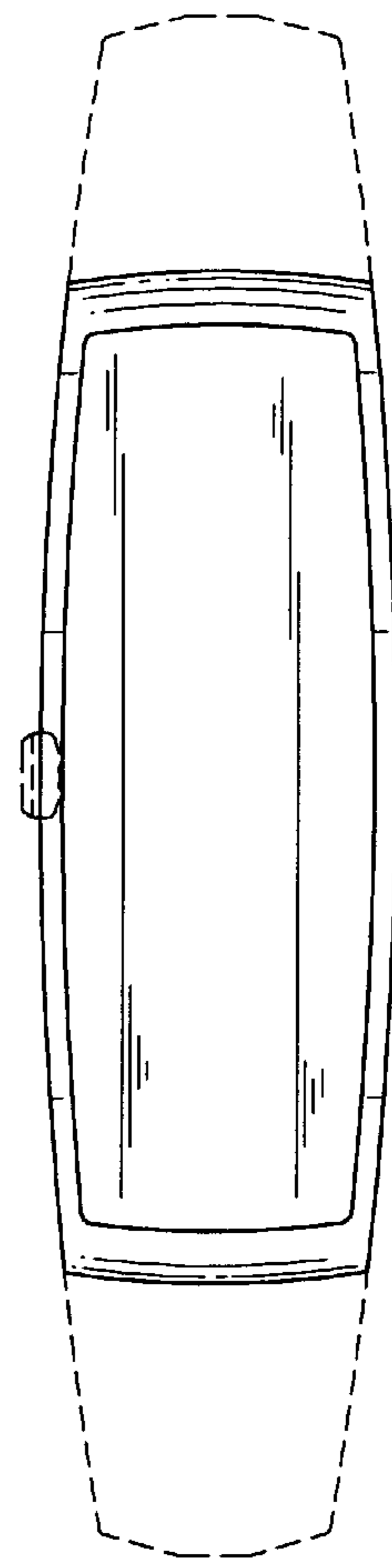


FIG. 2

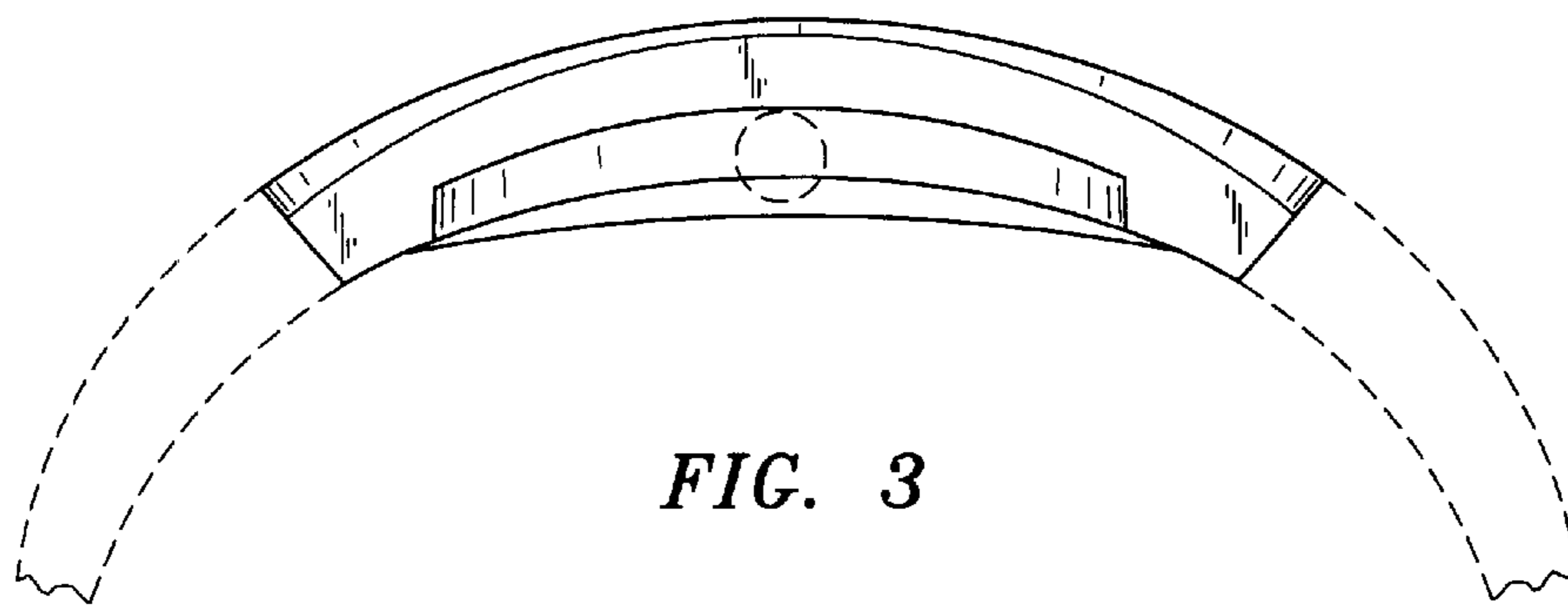


FIG. 3

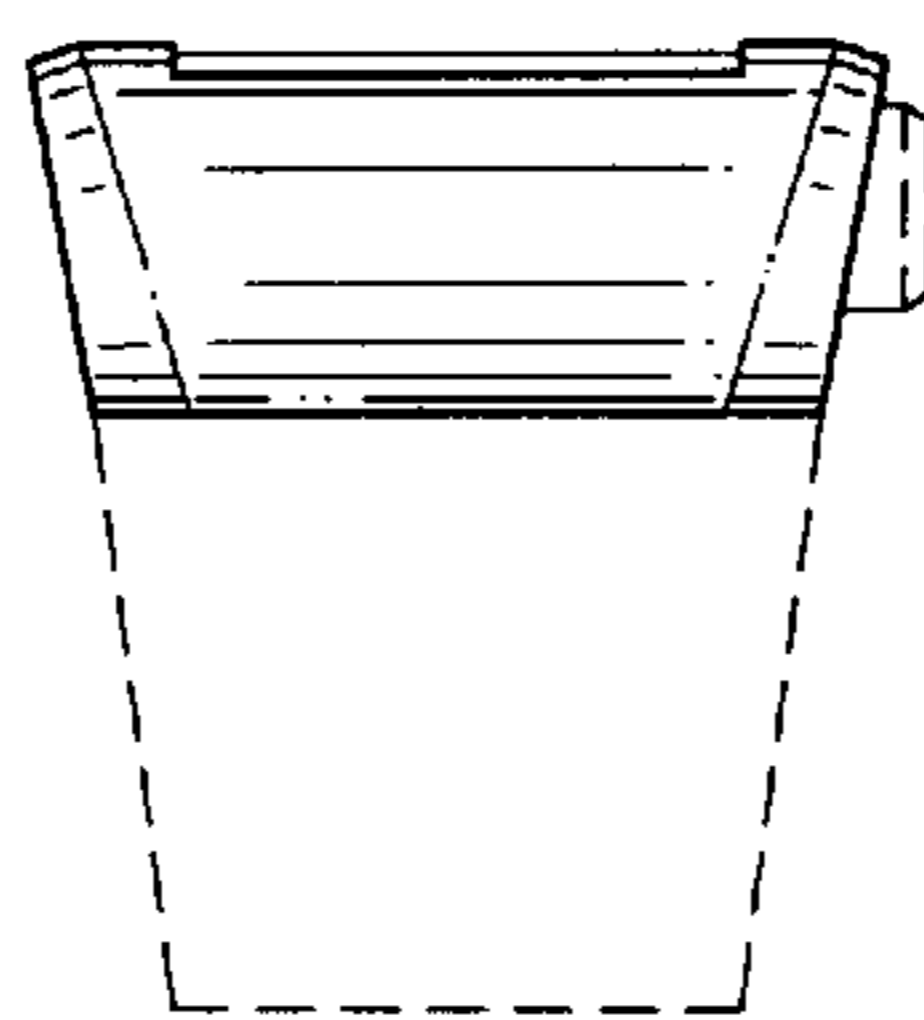


FIG. 4