



US00D473792S

(12) **United States Design Patent**  
**Diefenbach**

(10) **Patent No.:** **US D473,792 S**

(45) **Date of Patent:** **\*\* Apr. 29, 2003**

(54) **SPICE BOTTLE CAP**

(75) **Inventor:** **Berndt Diefenbach, Barcelona (ES)**

(73) **Assignee:** **Leeds Engineering Corporation,  
Oxnard, CA (US)**

(\*\*) **Term:** **14 Years**

(21) **Appl. No.:** **29/168,160**

(22) **Filed:** **Sep. 25, 2002**

(51) **LOC (7) Cl. .... 09-07**

(52) **U.S. Cl. .... D9/454; D9/449; D9/447**

(58) **Field of Search .... D9/435, 447, 449,  
D9/454, 450; D7/392, 401.1, 591, 596;  
222/142.1, 142.3, 196.1, 196.3, 480, 565,  
556, 339, 450, 196.2; 220/254.3; 215/235**

(56) **References Cited**

**U.S. PATENT DOCUMENTS**

4,693,399 A \* 9/1987 Hickman et al. .... 222/480

D340,187 S \* 10/1993 Forsyth ..... D9/449  
D343,988 S \* 2/1994 Spence, Jr. .... D9/447  
D405,011 S \* 2/1999 DeCoster et al. .... D9/447

\* cited by examiner

*Primary Examiner*—Louis S. Zarfes

*Assistant Examiner*—Gregory Andoll

(74) *Attorney, Agent, or Firm*—Jack C. Munro

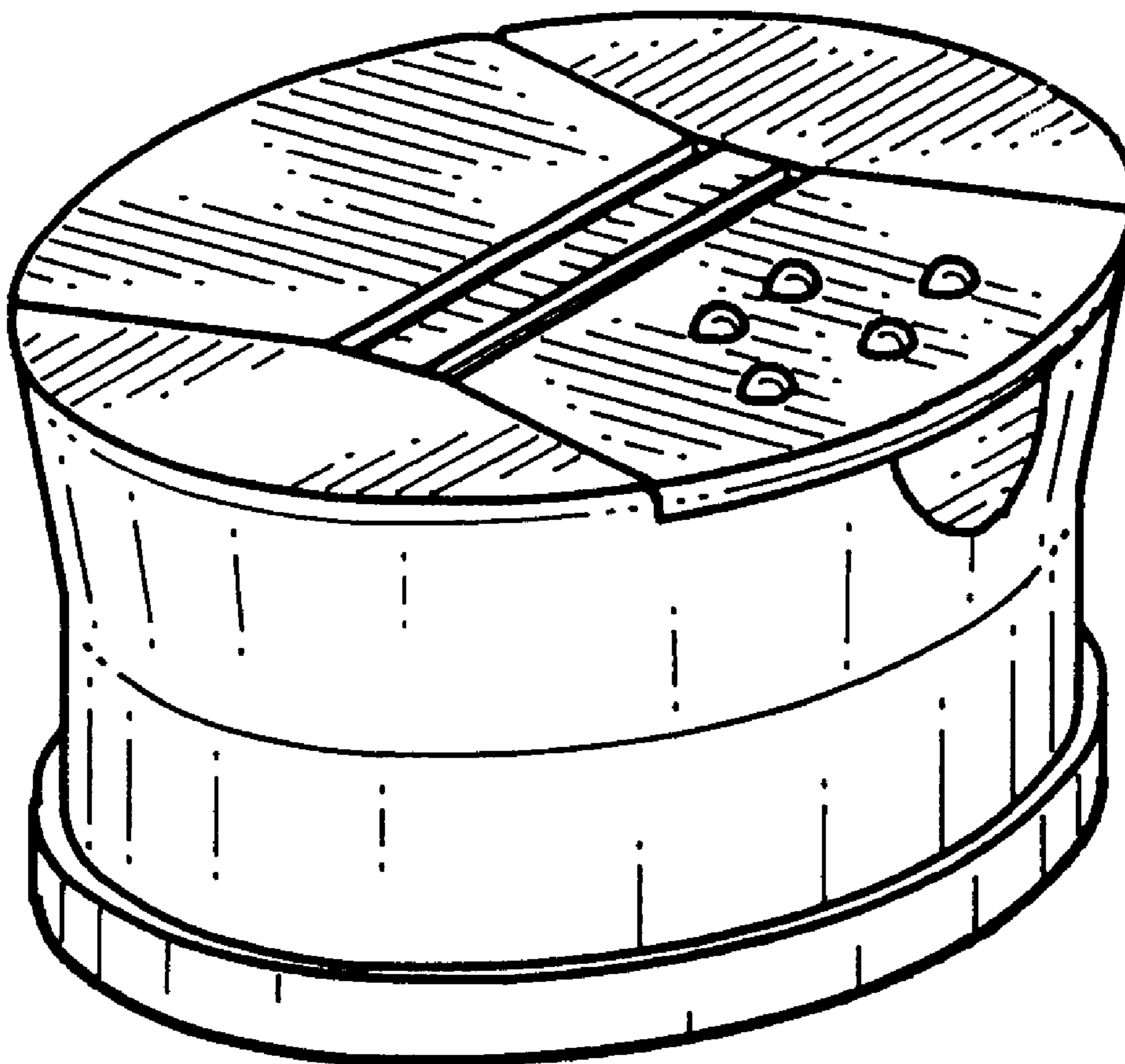
(57) **CLAIM**

The ornamental design for spice bottle cap, as shown and described.

**DESCRIPTION**

FIG. 1 is a front isometric view of the spice bottle cap showing my new design;  
FIG. 2 is a right side elevational view thereof;  
FIG. 3 is a front elevational view thereof;  
FIG. 4 is a left side elevational view thereof;  
FIG. 5 is a top plan view thereof; and,  
FIG. 6 is a bottom plan view thereof.

**1 Claim, 1 Drawing Sheet**



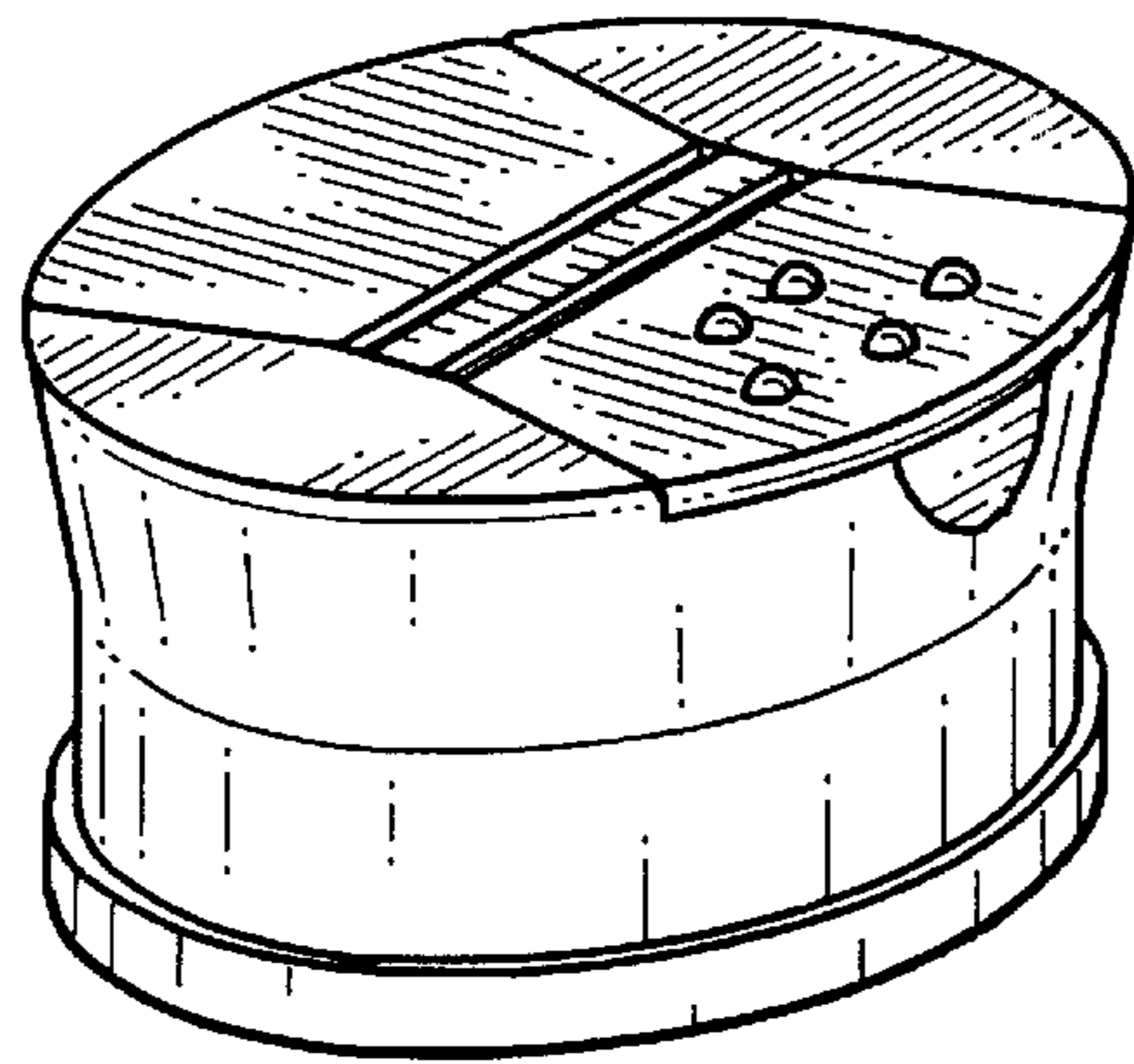


FIG. 1

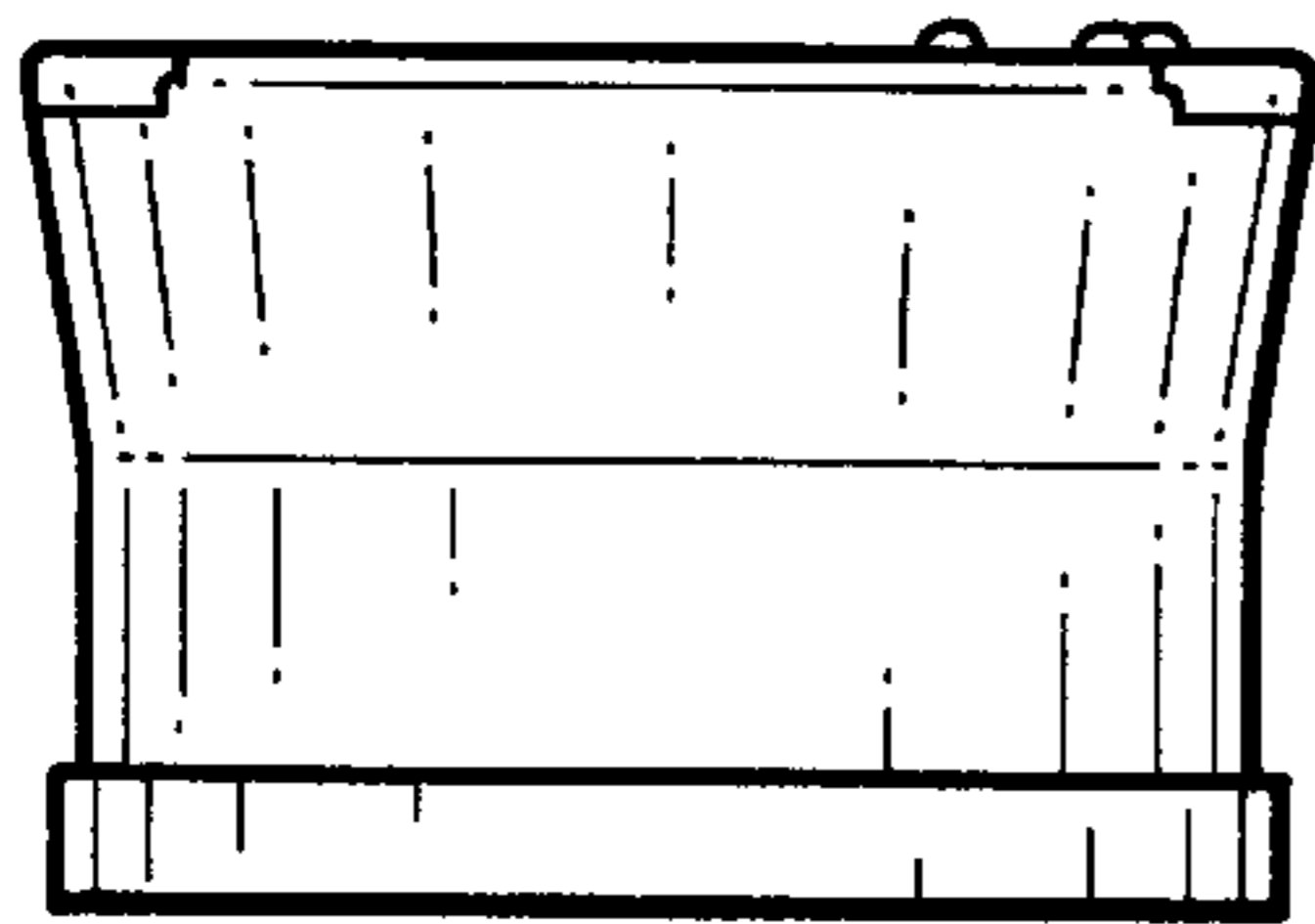


FIG. 2

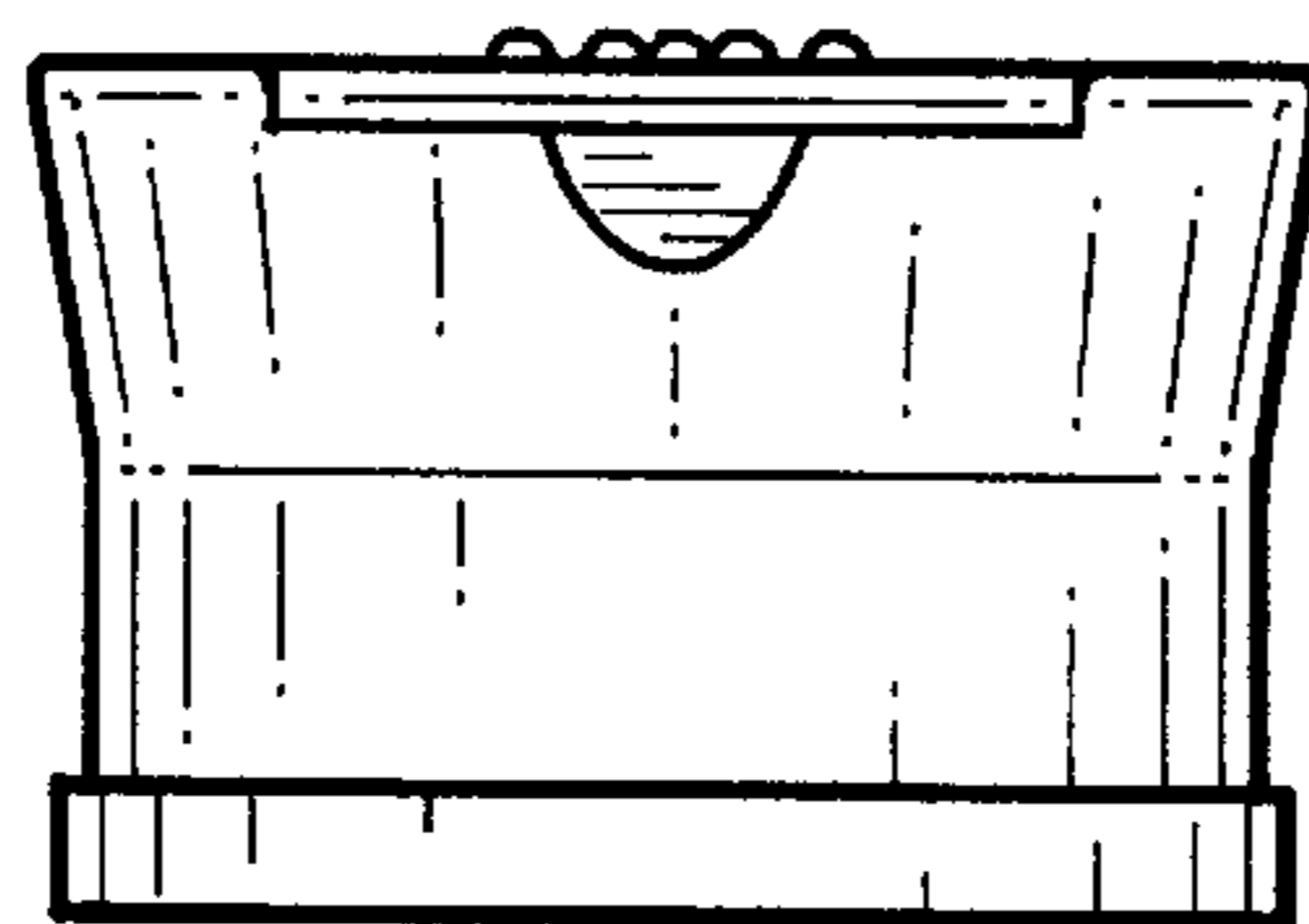


FIG. 3

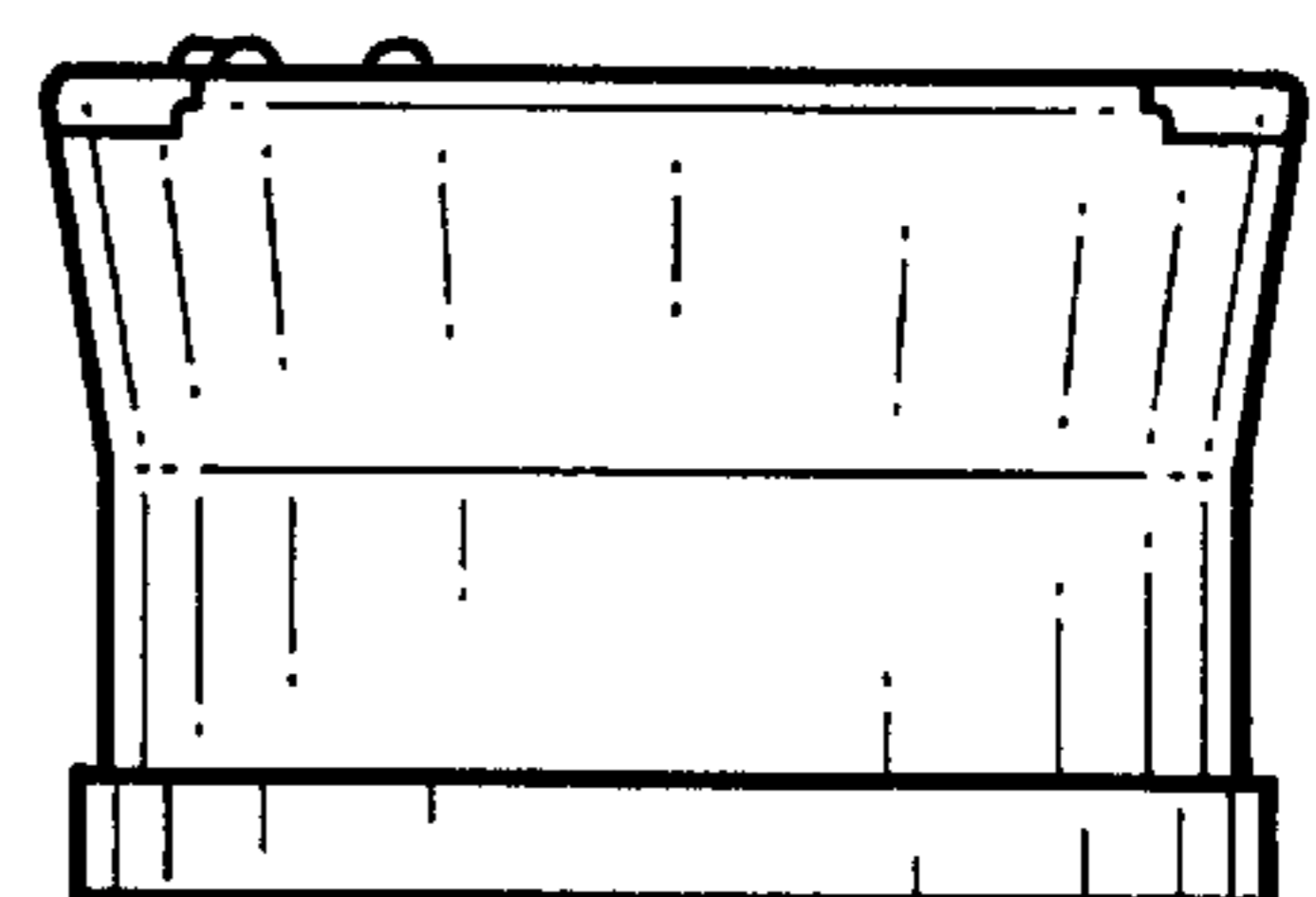


FIG. 4

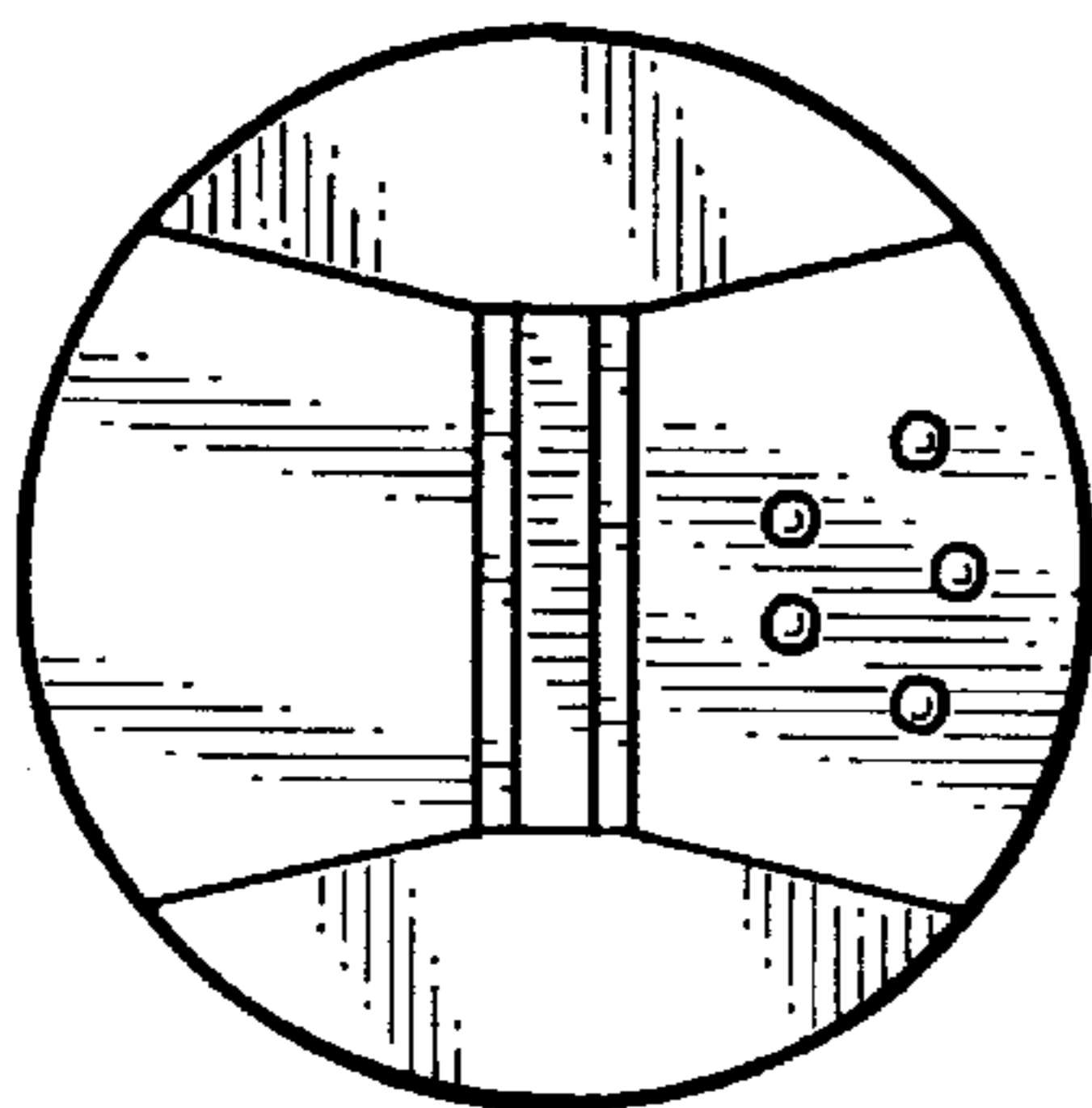


FIG. 5

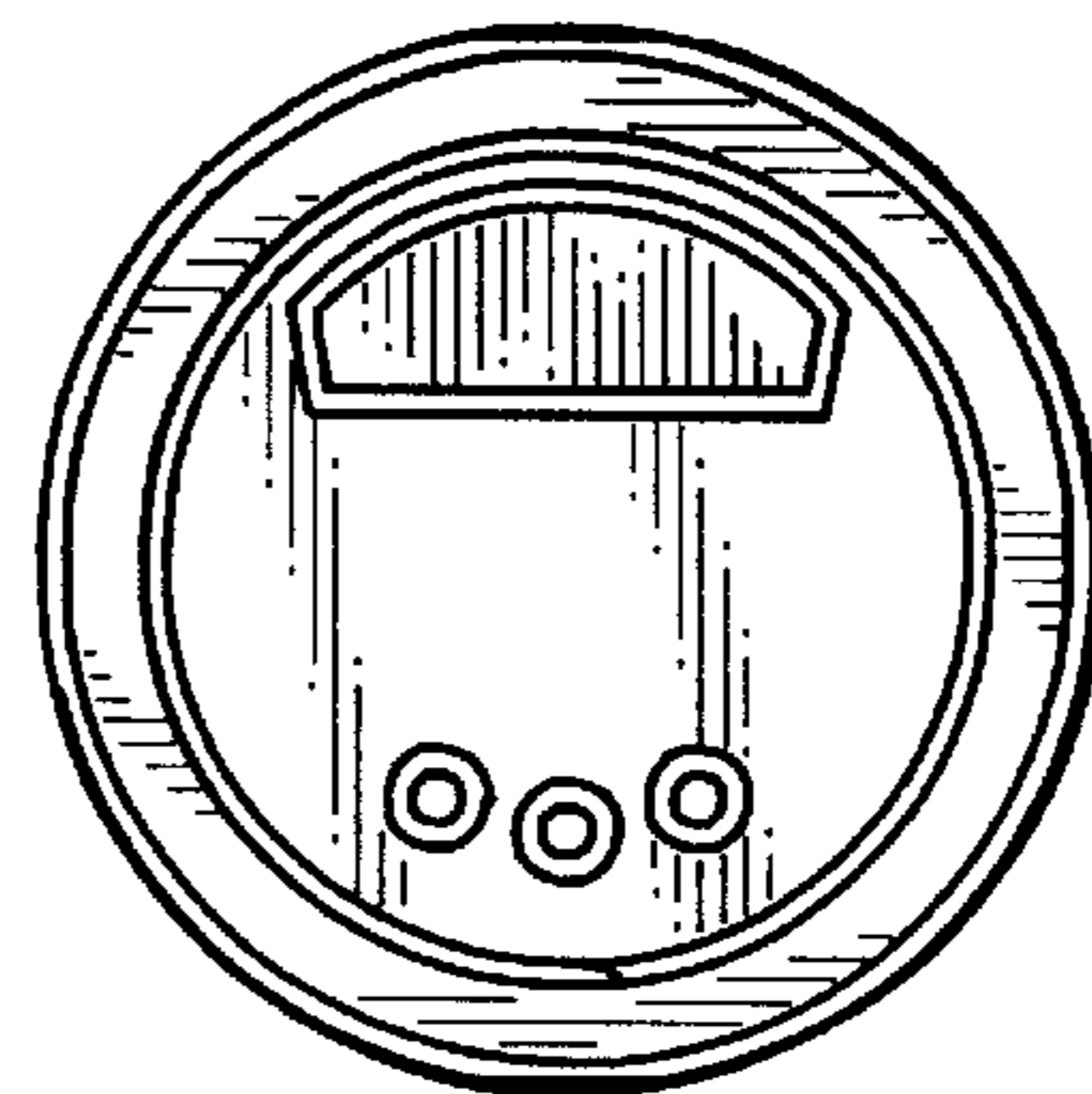


FIG. 6