



US00D473788S

(12) **United States Design Patent**  
**Chen et al.**

(10) **Patent No.:** **US D473,788 S**

(45) **Date of Patent:** **\*\* Apr. 29, 2003**

(54) **CONTAINER**

(75) Inventors: **Jeffrey Chen**, Woodbury, NY (US);  
**Corey Chen**, Brooklyn, NY (US)

(73) Assignee: **Newspring Industrial Corp.**, Kearny,  
NJ (US)

(\*\*) Term: **14 Years**

(21) Appl. No.: **29/160,082**

(22) Filed: **May 2, 2002**

(51) **LOC (7) Cl.** ..... **09-03**

(52) **U.S. Cl.** ..... **D9/428; D9/429; D9/425**

(58) **Field of Search** ..... D9/428, 429, 431,  
D9/424, 425; D7/530, 531, 608; 206/499,  
508, 557; 229/400-406, 932; 220/656-659,  
669-675, 912

(56) **References Cited**

**U.S. PATENT DOCUMENTS**

D202,507 S \* 10/1965 Shelby ..... D9/429  
4,108,347 A \* 8/1978 Amberg ..... 229/400

4,446,969 A \* 5/1984 Tyler ..... 229/400  
D279,168 S \* 6/1985 Goldsmith ..... D9/429  
D454,304 S \* 3/2002 Kim et al. .... D9/429

\* cited by examiner

*Primary Examiner*—Prabhakar Deshmukh  
(74) *Attorney, Agent, or Firm*—Gibbons, Del Deo, Dolan,  
Griffinger & Vecchione

(57) **CLAIM**

We claim the ornamental design for the container, as shown.

**DESCRIPTION**

FIG. 1 is a perspective exploded view of a container including a base and lid revealing the inside of the base and the underside of the lid;  
FIG. 2 is a front view of the container base and lid;  
FIG. 3 is a top plan view of the lid;  
FIG. 4 is a bottom plan view of the lid;  
FIG. 5 is a top plan view of the container;  
FIG. 6 is a bottom plan view of the container;  
FIG. 7 is a front view of the lid; and,  
FIG. 8 is a front view of the container.

**1 Claim, 5 Drawing Sheets**

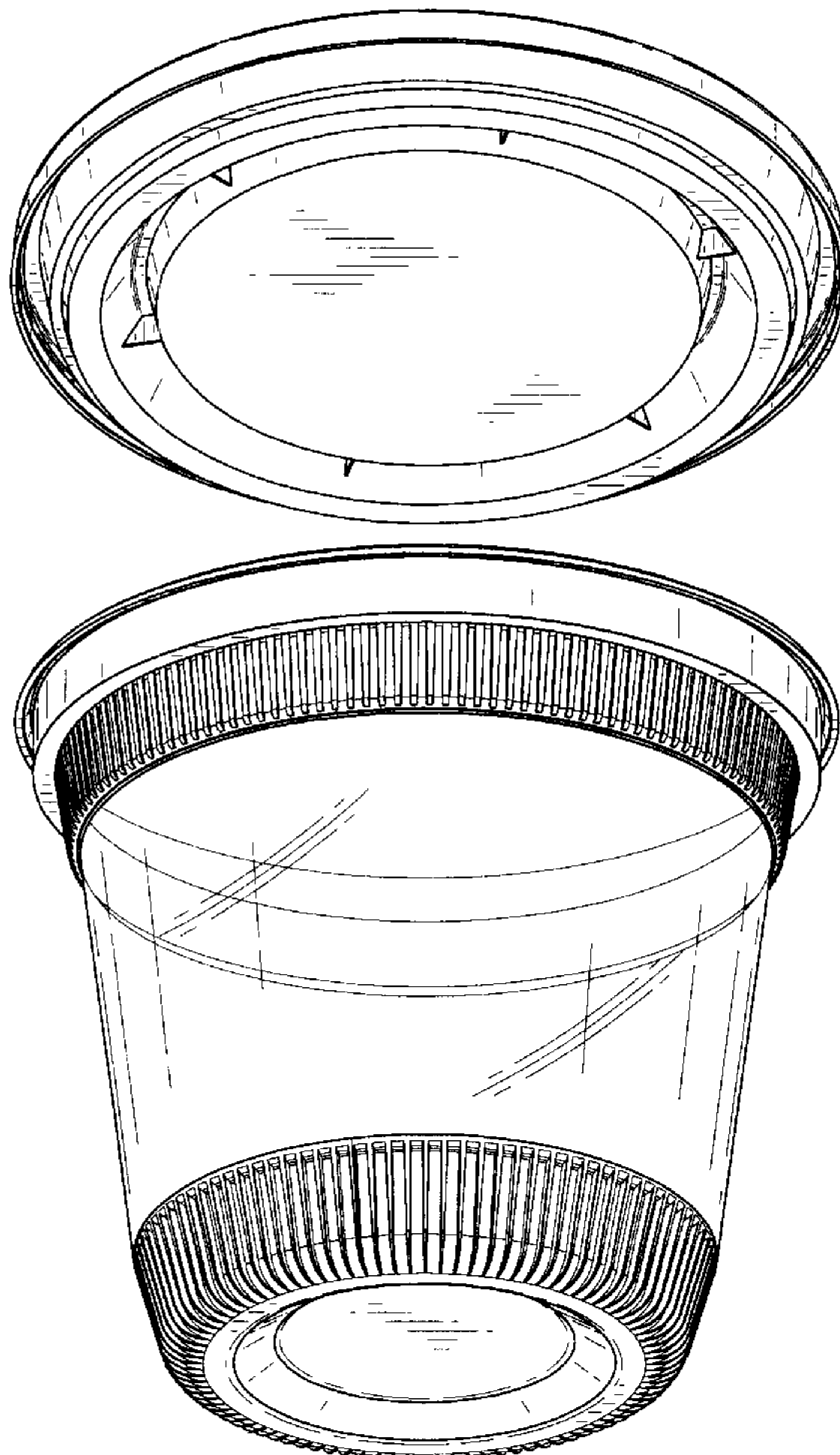
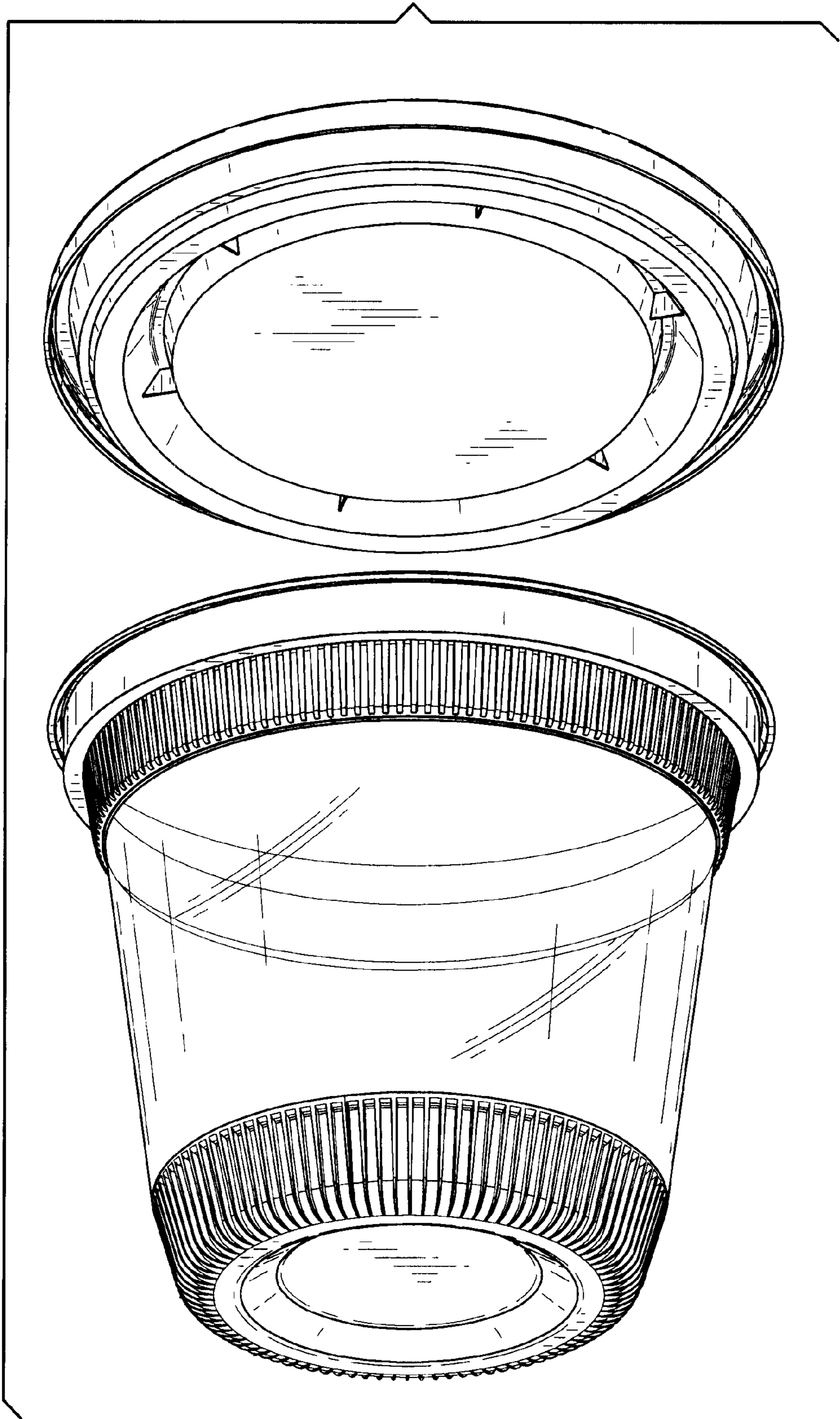
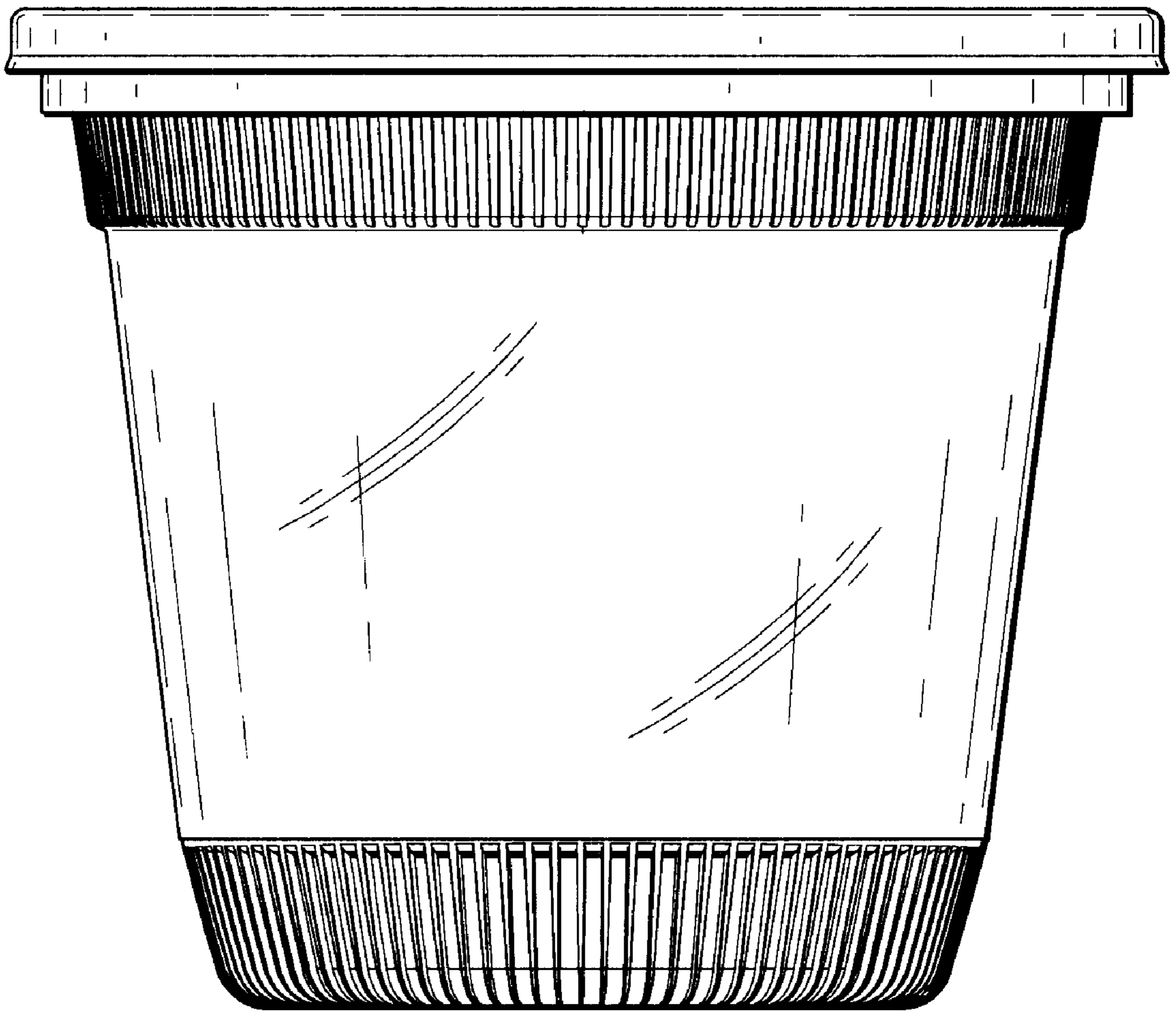


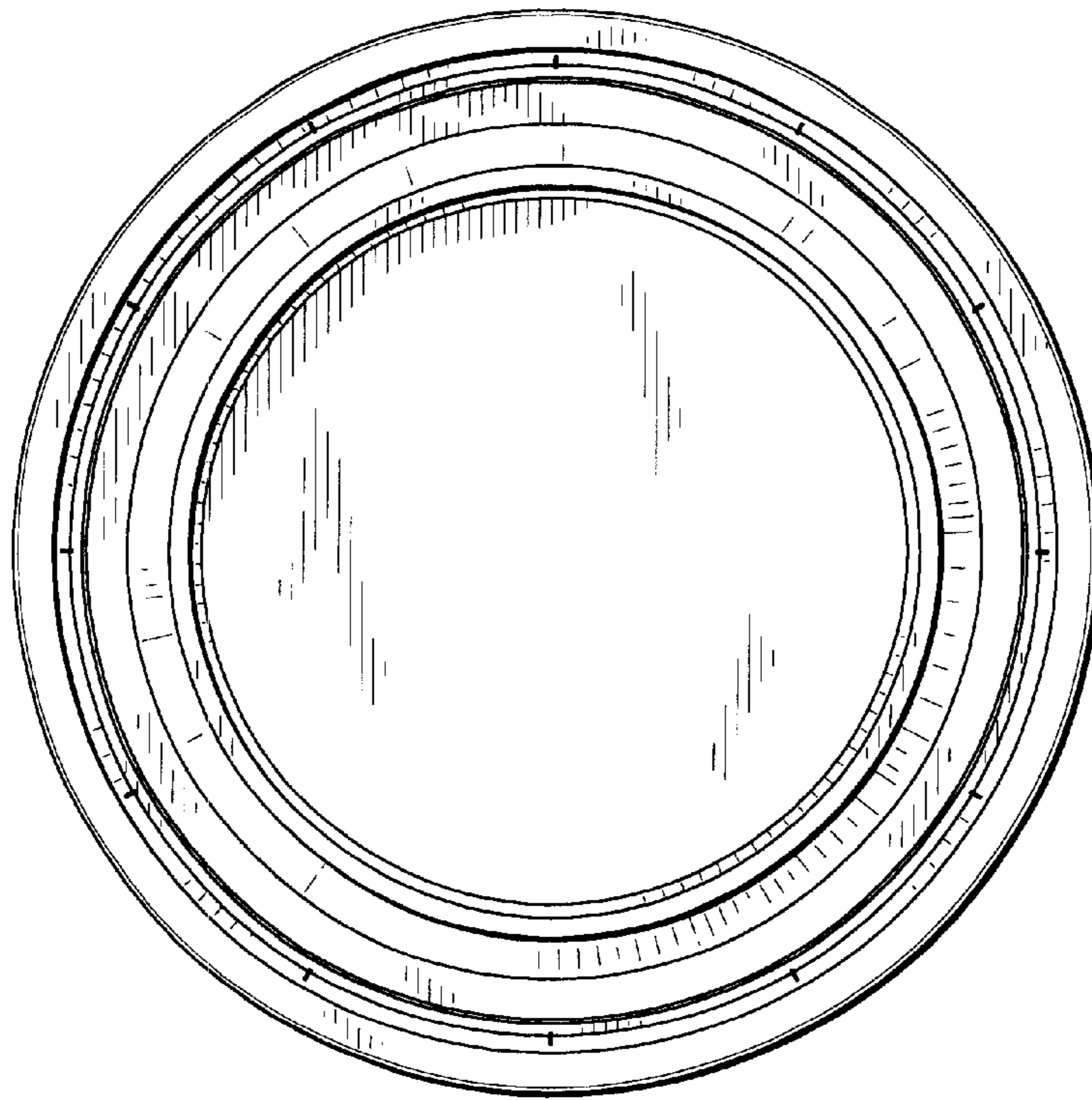
FIG. 1



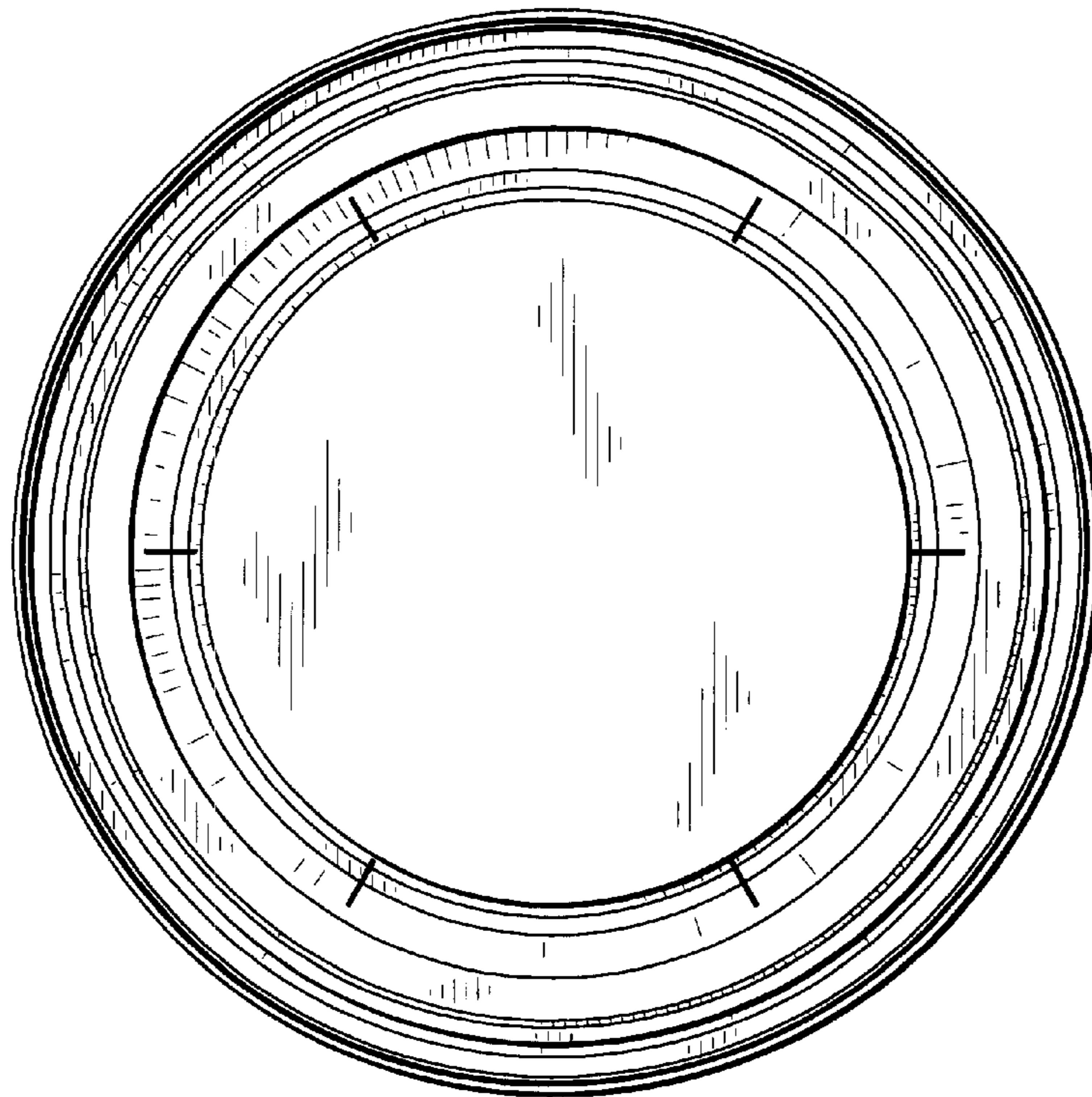
*FIG. 2*



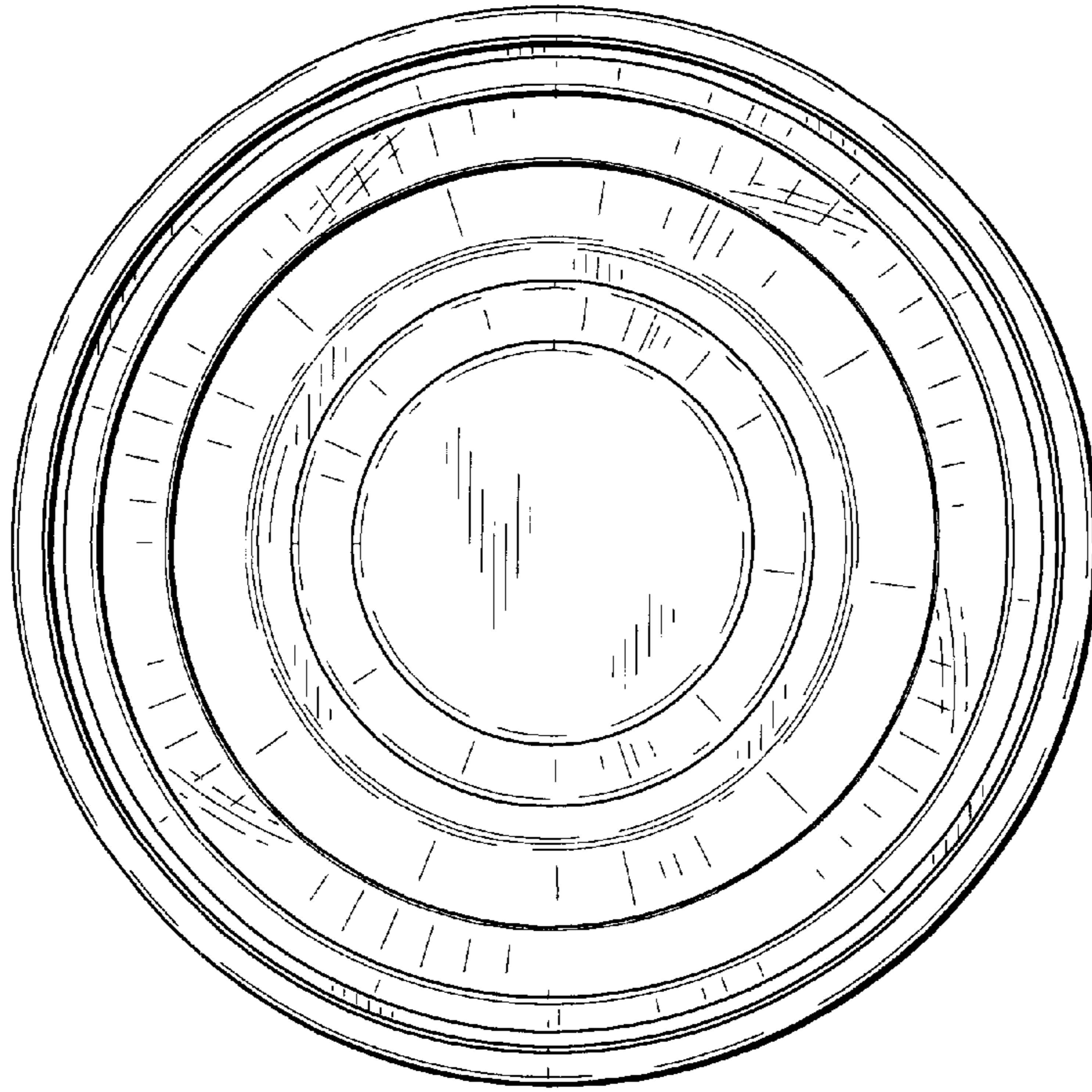
*FIG. 3*



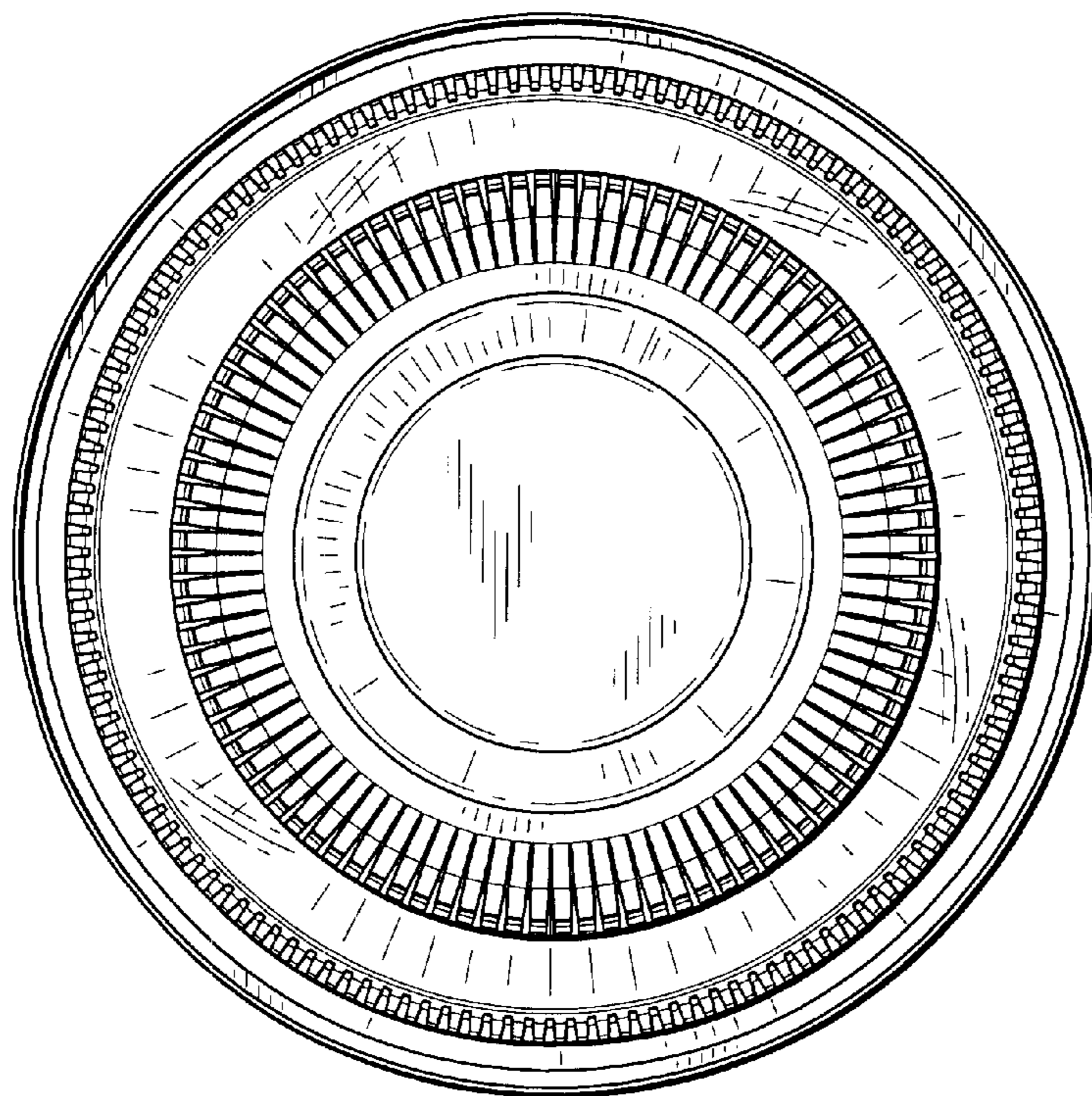
*FIG. 4*



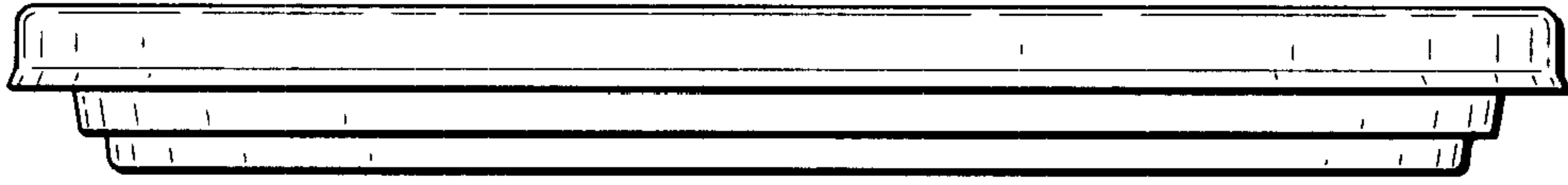
**FIG. 5**



**FIG. 6**



*FIG. 7*



*FIG. 8*

