



US00D473786S

(12) **United States Design Patent**  
**Chue**

(10) **Patent No.:** **US D473,786 S**

(45) **Date of Patent:** **\*\* Apr. 29, 2003**

(54) **PRESS-PILL DISPENSER**

(75) Inventor: **Lap Fu Chue**, New Territories (HK)

(73) Assignee: **Kenki (H.K.) Ltd.**, Kowloon (HK)

(\*\*) Term: **14 Years**

(21) Appl. No.: **29/157,773**

(22) Filed: **Mar. 26, 2002**

(51) **LOC (7) Cl.** ..... **09-01**

(52) **U.S. Cl.** ..... **D9/339**

(58) **Field of Search** ..... D9/337, 338, 339,  
D9/414, 416, 417, 418, 424, 428; 206/363,  
528, 553, 527, 37; 220/200, 252, 260, 810,  
811, 890; 221/69, 87, 89, 90, 91, 282; 222/153.01,  
153.04, 173, 175, 519-521

(56) **References Cited**

**U.S. PATENT DOCUMENTS**

D195,734 S	*	7/1963	Beumann	.....	D52/2
D248,543 S	*	7/1978	Stelcheck	.....	D9/415
D252,912 S	*	9/1979	Rideout, Jr.	.....	D9/339
D303,633 S	*	9/1989	Terauds	.....	D9/428
D341,777 S	*	11/1993	Sheu	.....	D9/415

D380,149 S	*	6/1997	Alexander	.....	D9/339
D386,404 S	*	11/1997	Kirk, III et al.	.....	D9/339
D422,713 S	*	4/2000	Lee	.....	D24/226

\* cited by examiner

*Primary Examiner*—Ted Shooman

*Assistant Examiner*—Daniel Bui

(74) *Attorney, Agent, or Firm*—Rabin & Berdo, P.C.

(57) **CLAIM**

The ornamental design for a press-pill dispenser, as shown and described.

**DESCRIPTION**

FIG. 1 is a front view of a press-pill dispenser showing my new design;

FIG. 2 is a rear view thereof;

FIG. 3 is a left side view thereof;

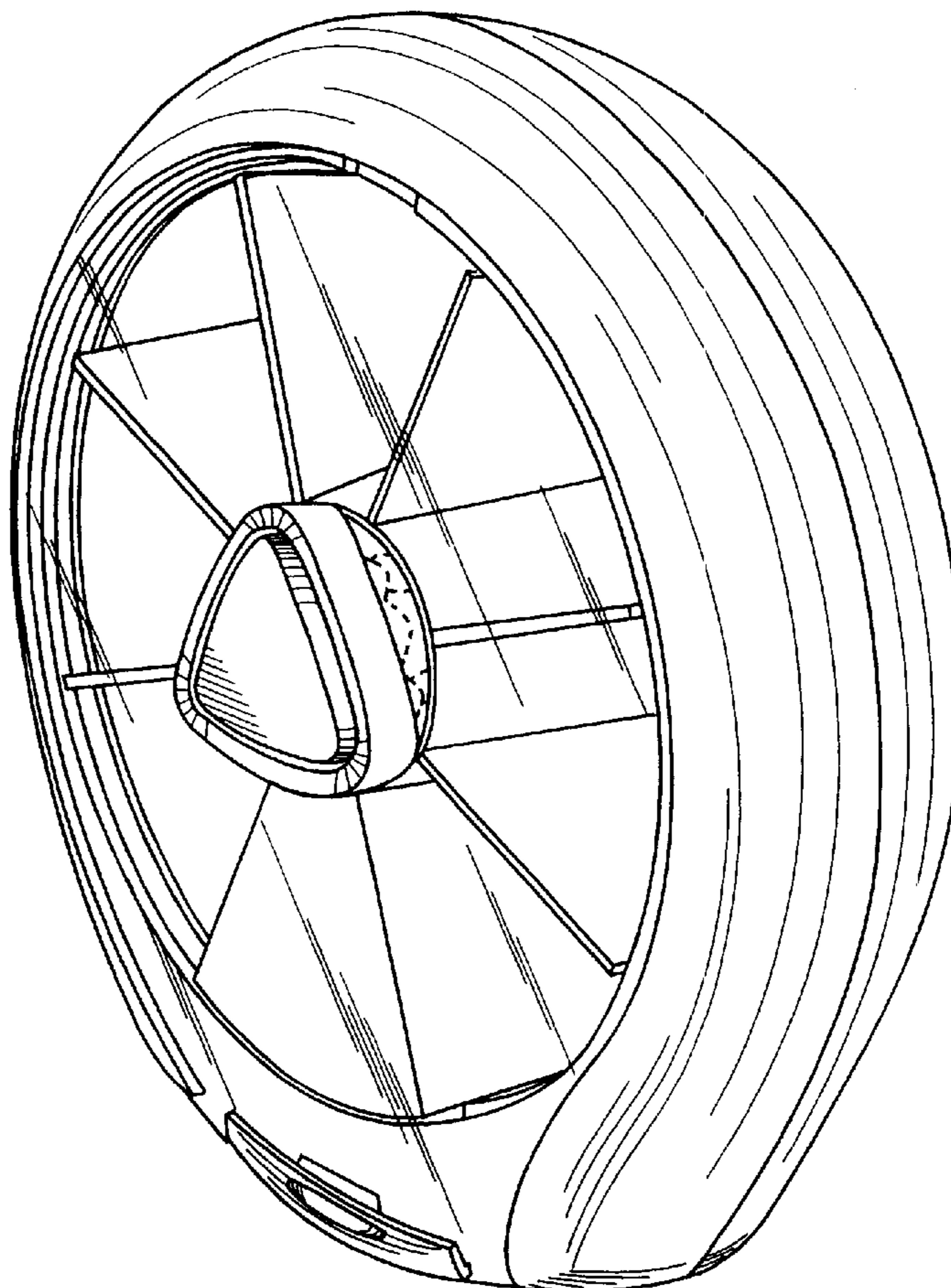
FIG. 4 is a right side view thereof;

FIG. 5 is a bottom plan view thereof;

FIG. 6 is a top plan view thereof; and,

FIG. 7 is a perspective view thereof, the broken line is shown to illustrate environment only and forms no part of the claimed design.

**1 Claim, 7 Drawing Sheets**



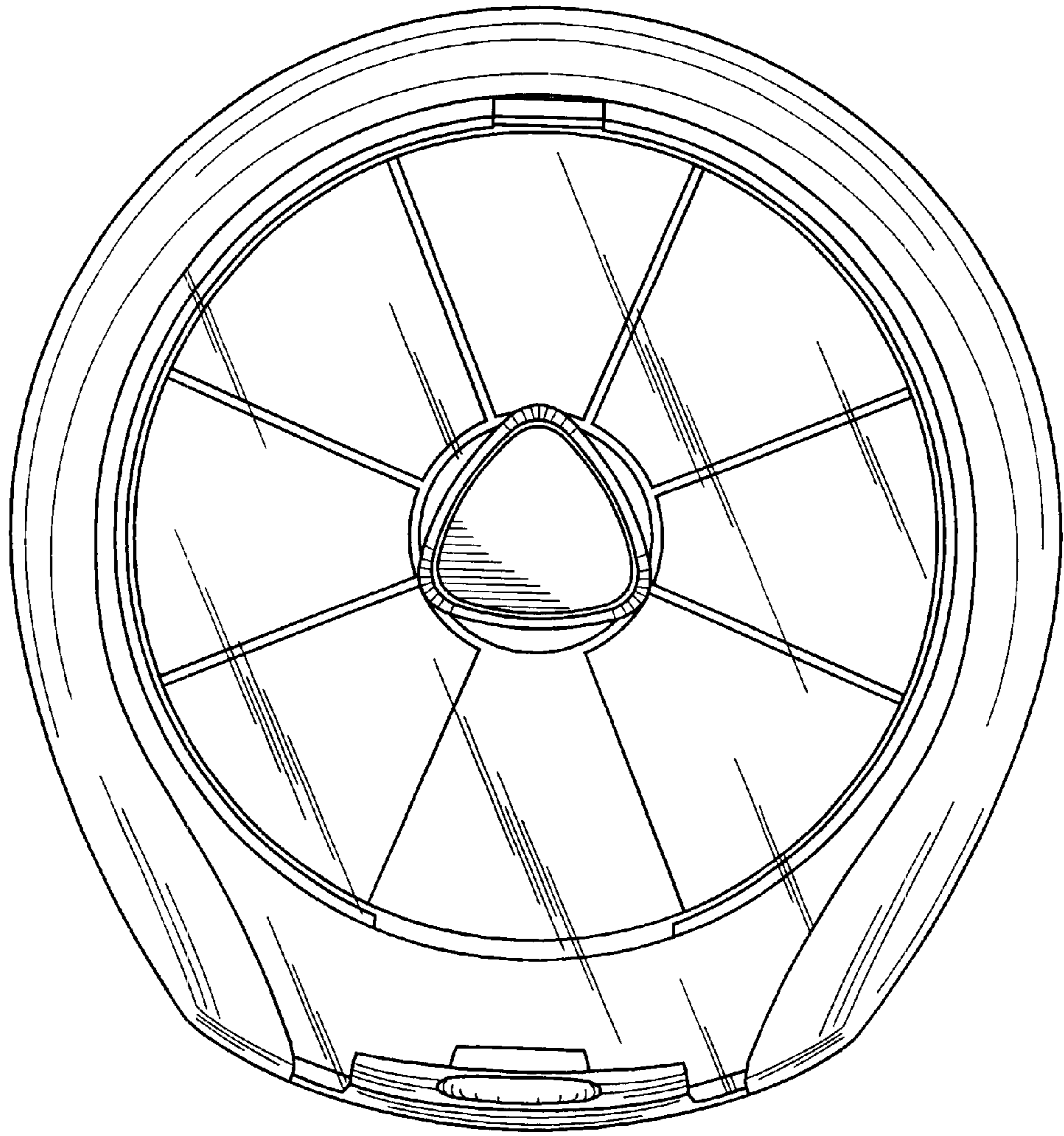


FIG 1

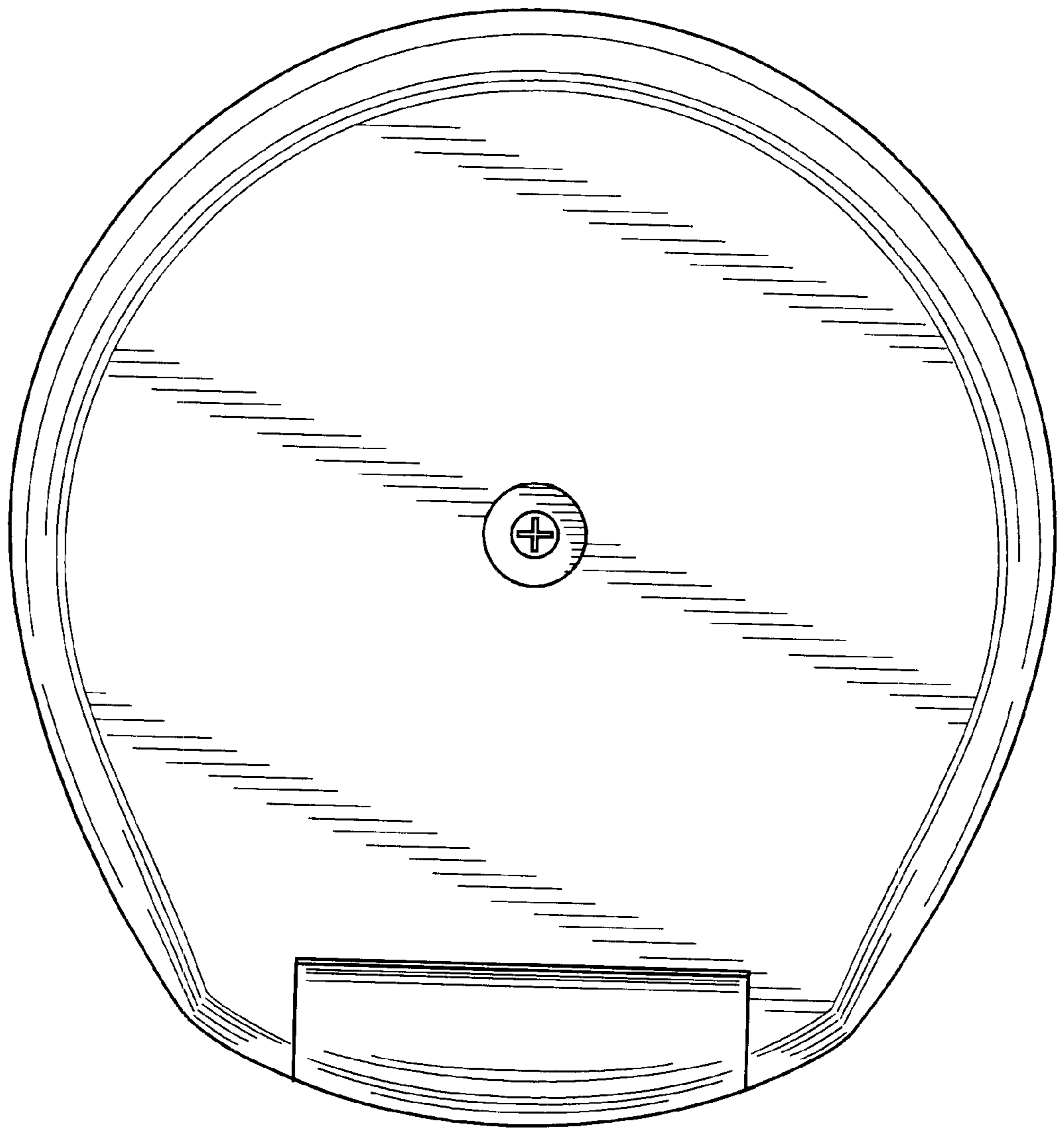


FIG 2

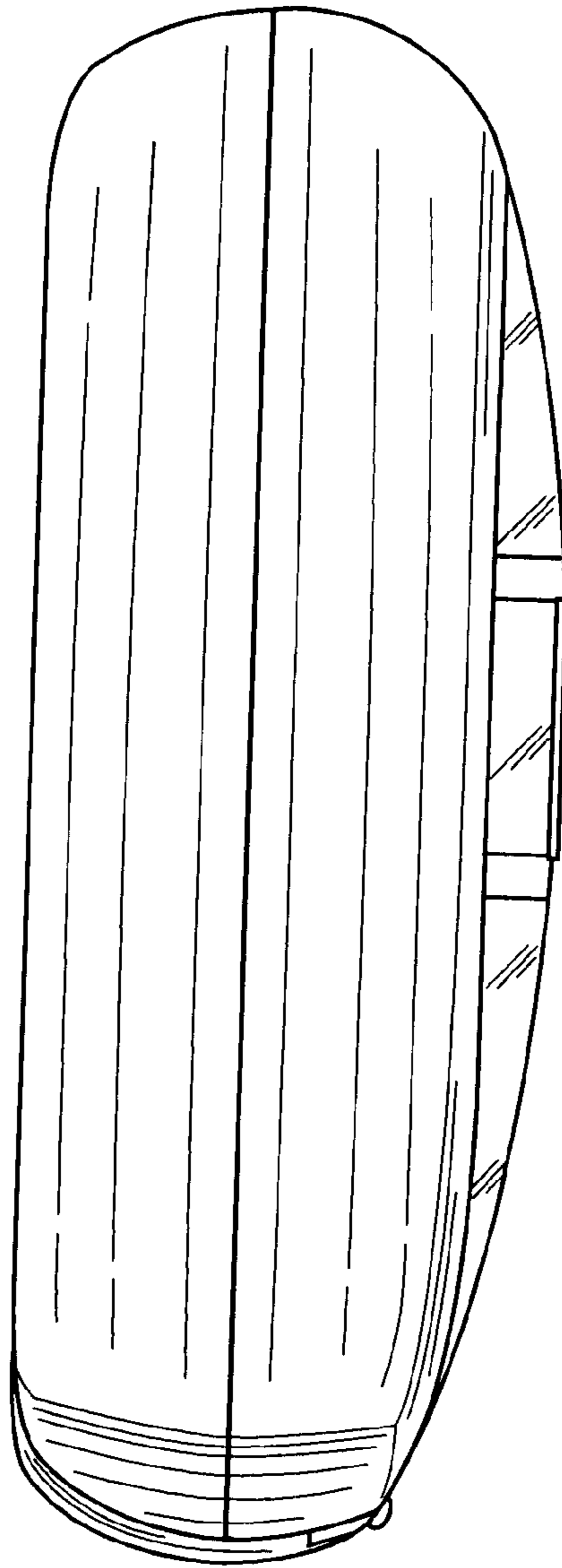


FIG 3

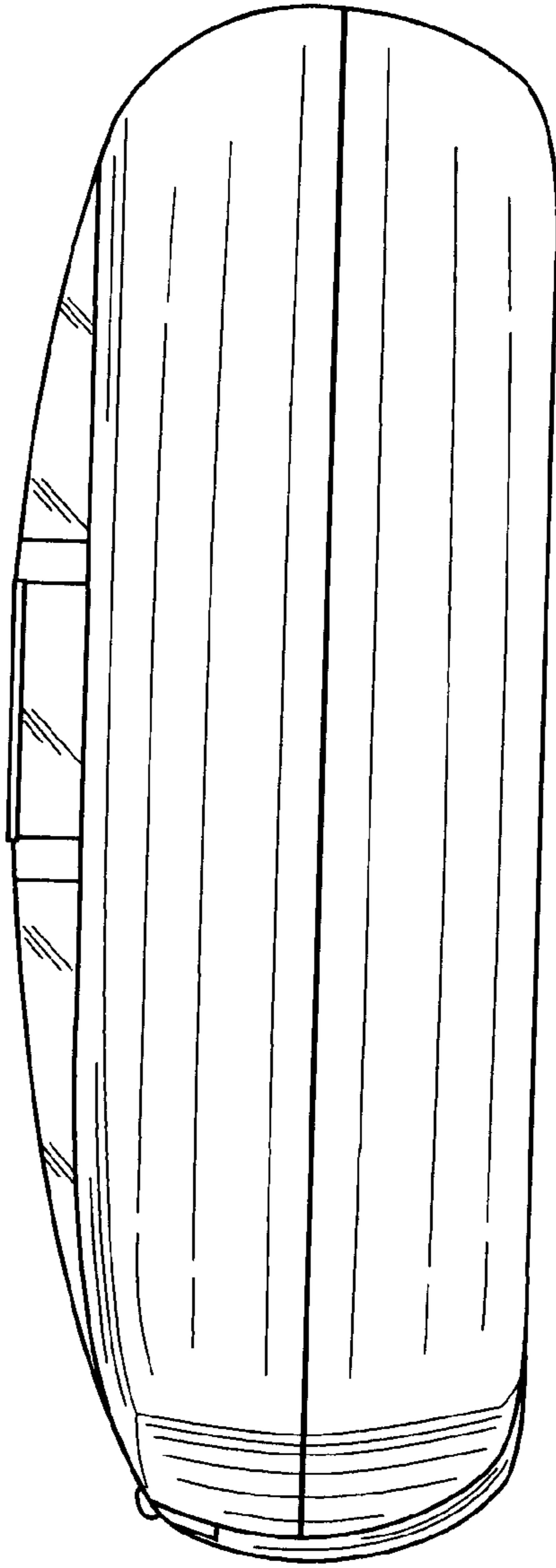


FIG 4

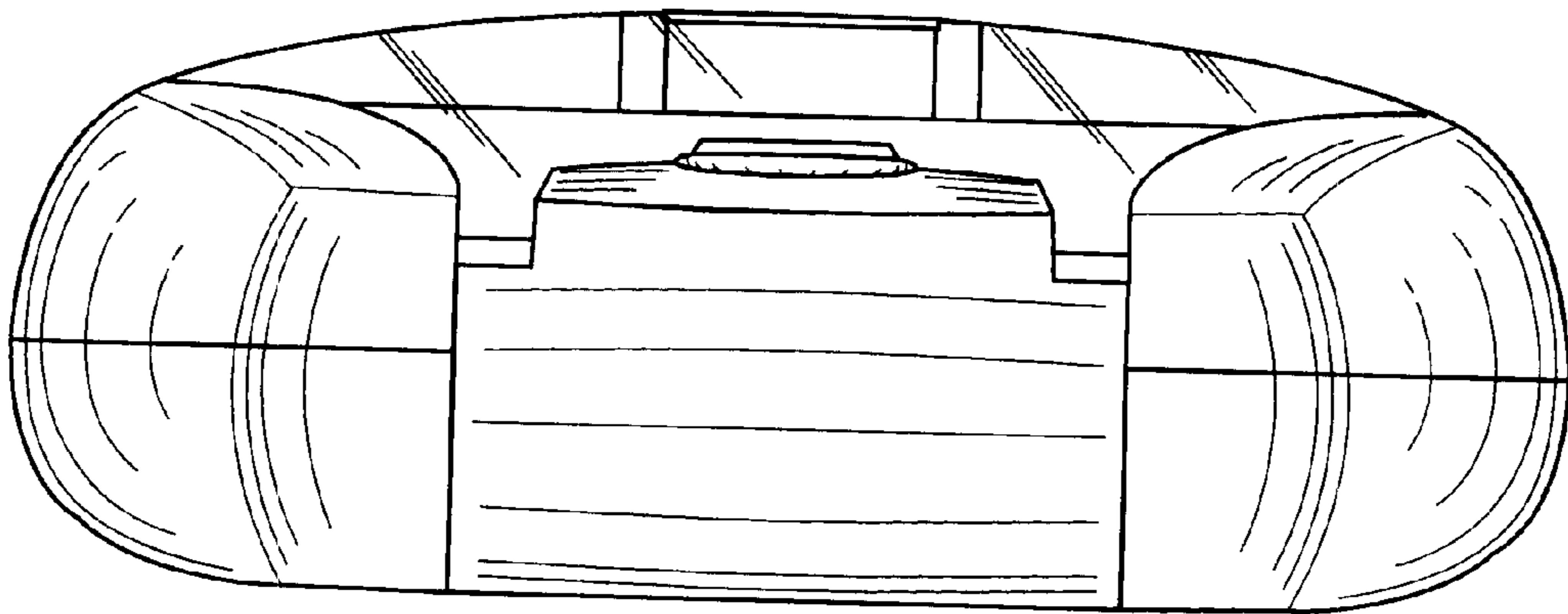


FIG 5

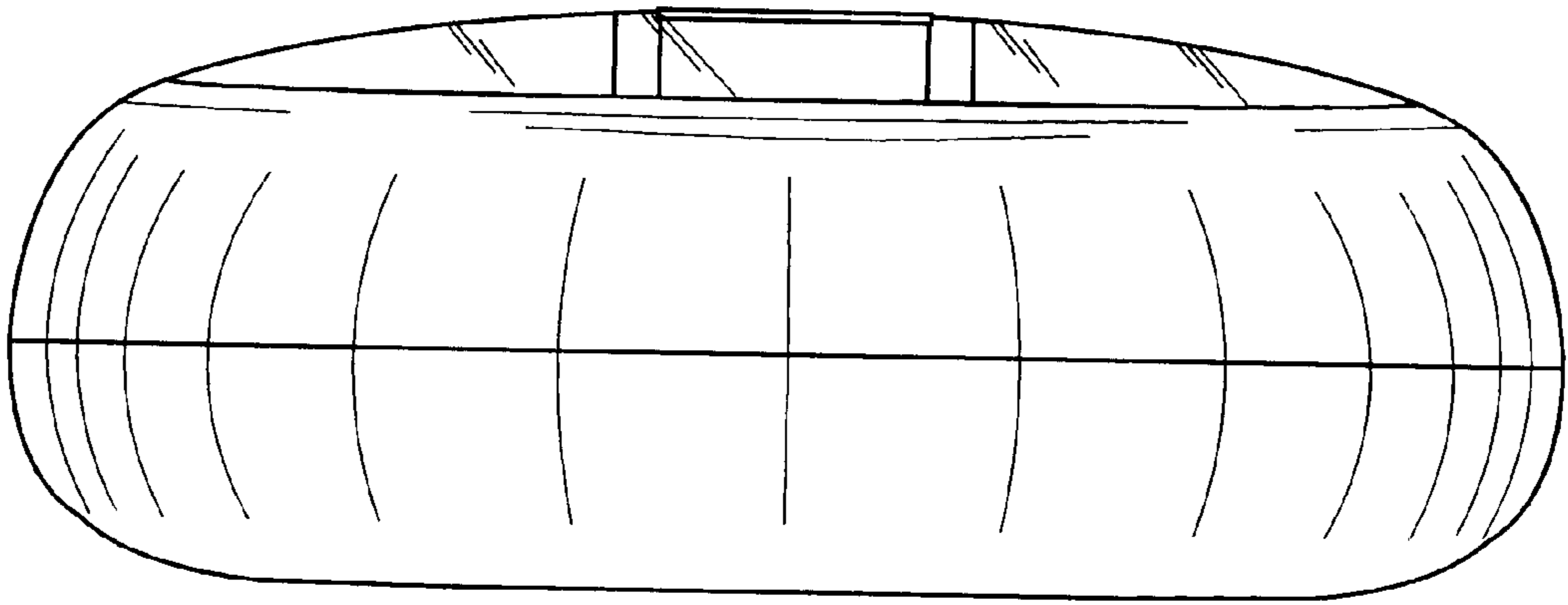


FIG 6

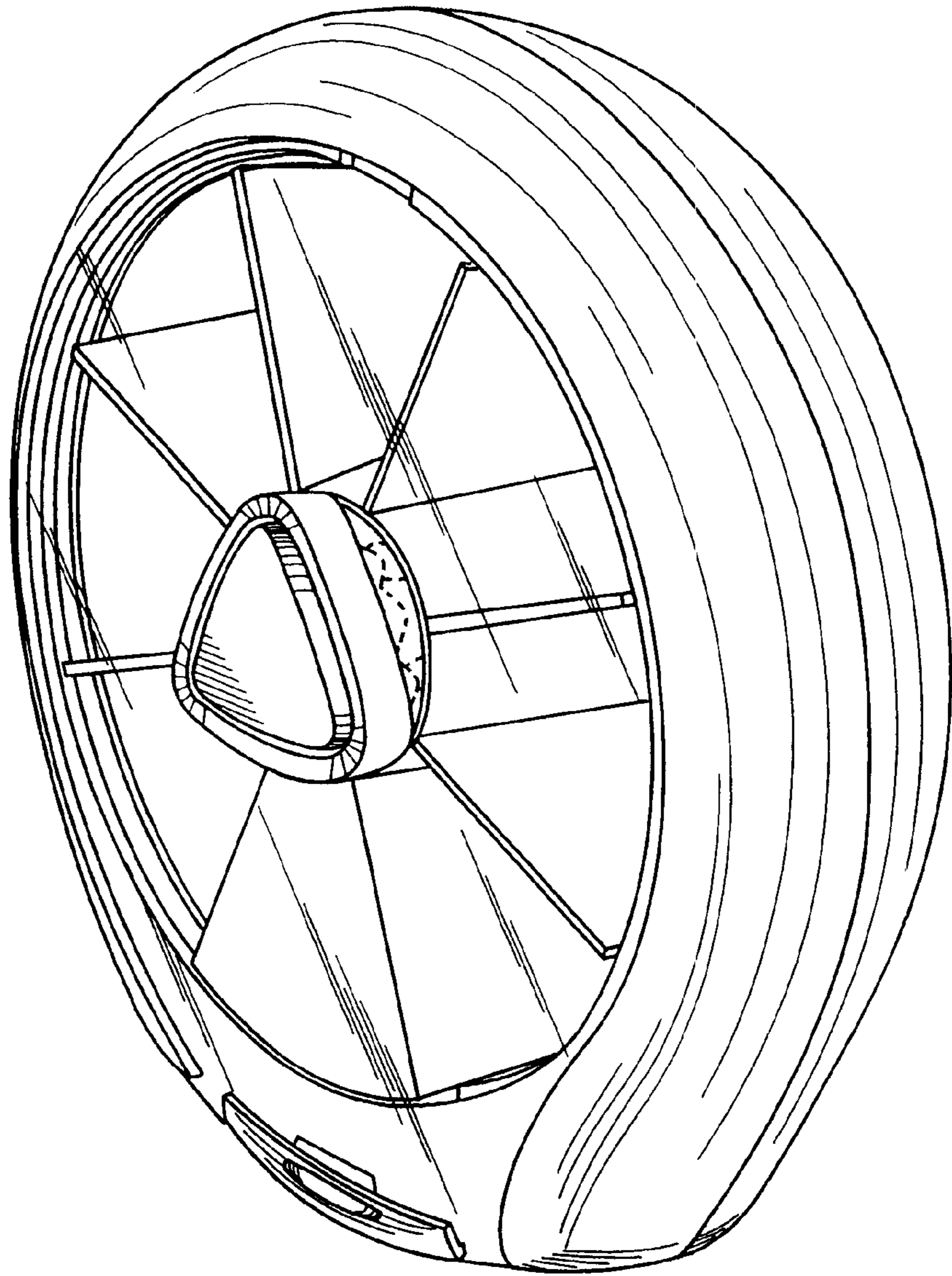


FIG 7