



US00D473784S

(12) **United States Design Patent**
Nagai et al.

(10) **Patent No.:** **US D473,784 S**

(45) **Date of Patent:** **** Apr. 29, 2003**

(54) **NUT FOR A BALL SPLINE SHAFT**

(75) Inventors: **Shigekazu Nagai**, Tokyo-to (JP); **Akio Saitoh**, Kawaguchi (JP); **Masaru Saitoh**, Ibaraki-ken (JP)

(73) Assignee: **SMC Kabushiki Kaisha**, Tokyo (JP)

(**) Term: **14 Years**

(21) Appl. No.: **29/145,636**

(22) Filed: **Jul. 26, 2001**

(30) **Foreign Application Priority Data**

Feb. 2, 2001 (JP) 2001-002456

(51) **LOC (7) Cl.** **08-08**

(52) **U.S. Cl.** **D8/397**

(58) **Field of Search** D8/397-399; 74/424.81, 74/424.82, 424.83, 424.84, 424.85, 424.86, 424.87, 424.88, 89.23, 424.71; 277/354; 411/427, 432; D15/138, 143; 384/43, 45

(56) **References Cited**

U.S. PATENT DOCUMENTS

3,244,022 A * 4/1966 Wysong 74/424.82
3,667,311 A * 6/1972 Wysong 74/424.86

4,864,884 A * 9/1989 Klinkenberg 74/89.23
6,023,991 A * 2/2000 Yabe et al. 74/89.44
6,082,210 A * 7/2000 Ise 384/45
6,089,117 A * 7/2000 Ebina et al. 74/424.87
6,192,585 B1 * 2/2001 Buchanan, Jr. et al. .. 74/424.86
6,450,055 B1 * 9/2002 Sekiya et al. 74/424.87

* cited by examiner

Primary Examiner—Louis S. Zarfes

Assistant Examiner—Deanne Levy

(74) *Attorney, Agent, or Firm*—Frishauf, Holtz, Goodman & Chick, P.C.

(57) **CLAIM**

The ornamental design for a nut for a ball spline shaft, as shown.

DESCRIPTION

FIG. 1 is a bottom, front and left side perspective view of a nut for a ball spline shaft showing our new design; FIG. 2 is a front view thereof; FIG. 3 is a rear view thereof; FIG. 4 is a top plan view thereof; FIG. 5 is a bottom plan view thereof; FIG. 6 is a right side view thereof; and, FIG. 7 is a left side view thereof.

1 Claim, 4 Drawing Sheets

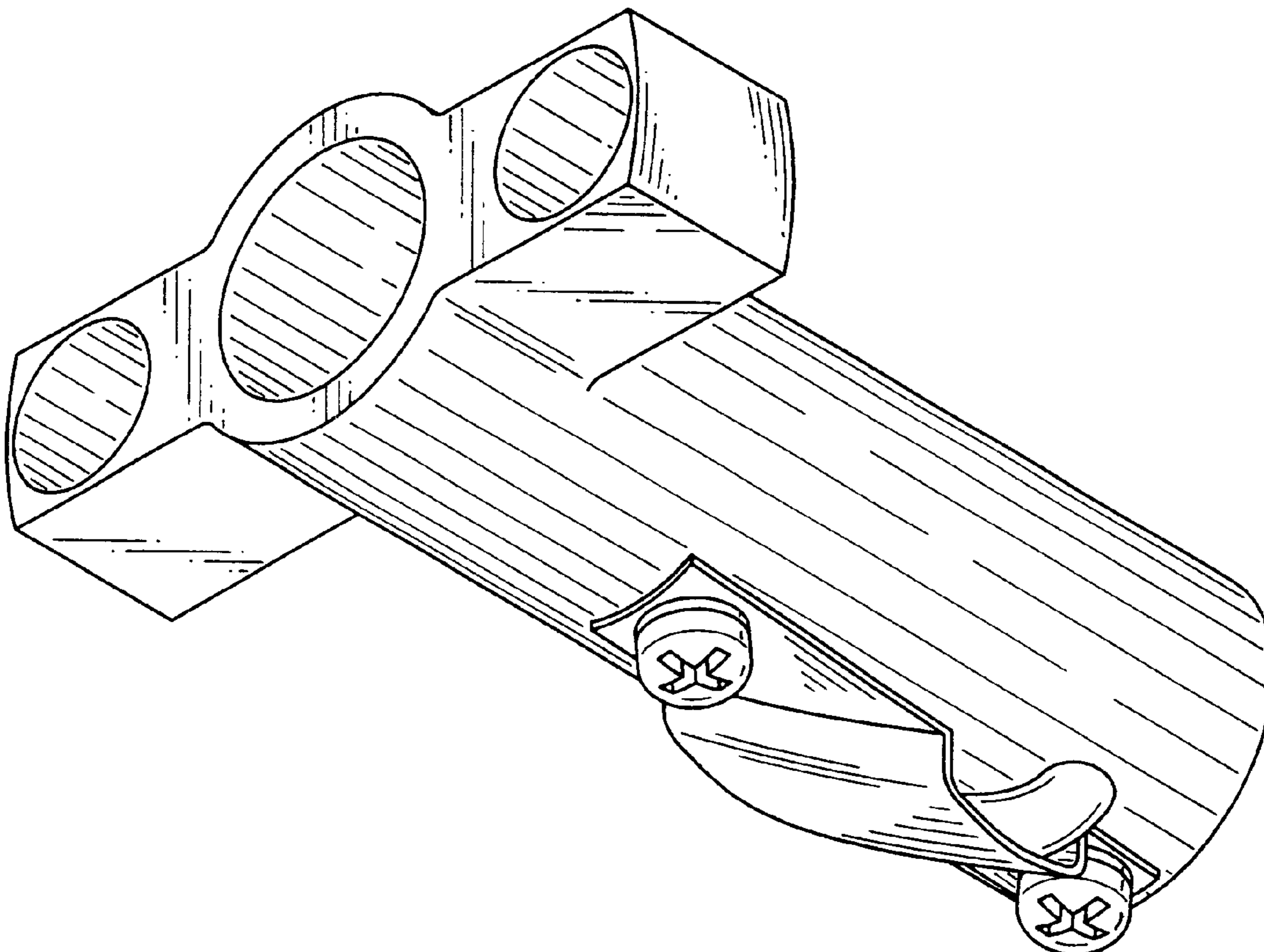


FIG. 1

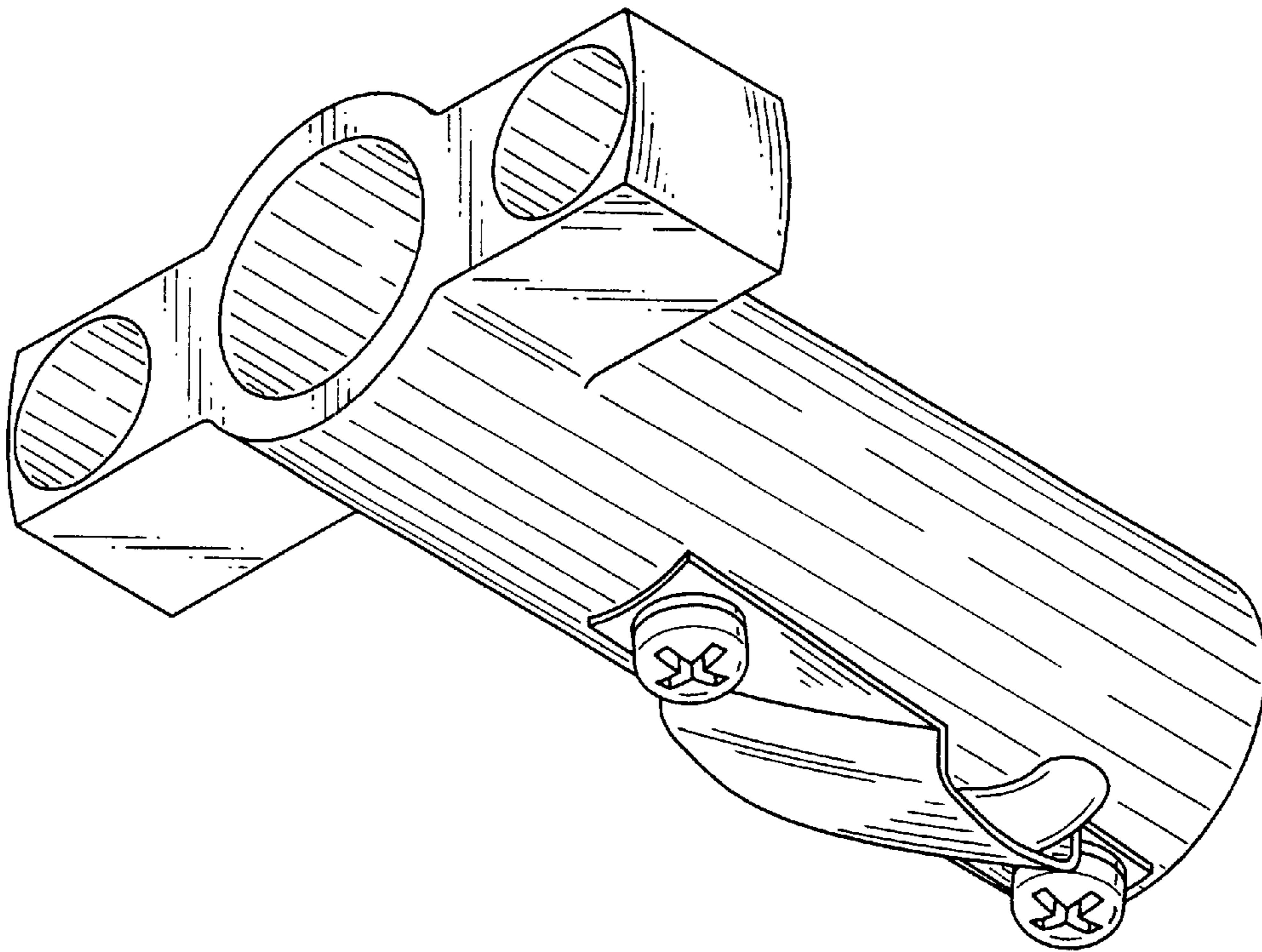


FIG. 2

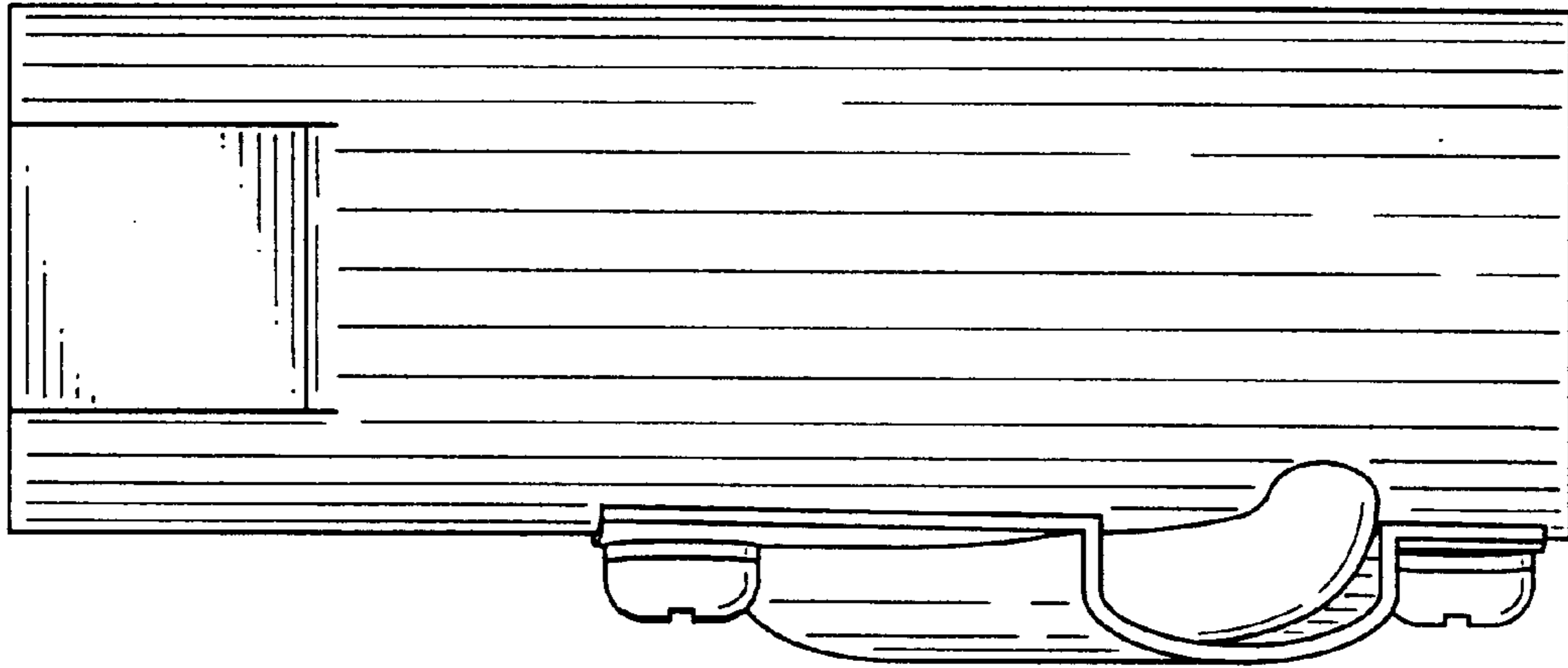


FIG. 3

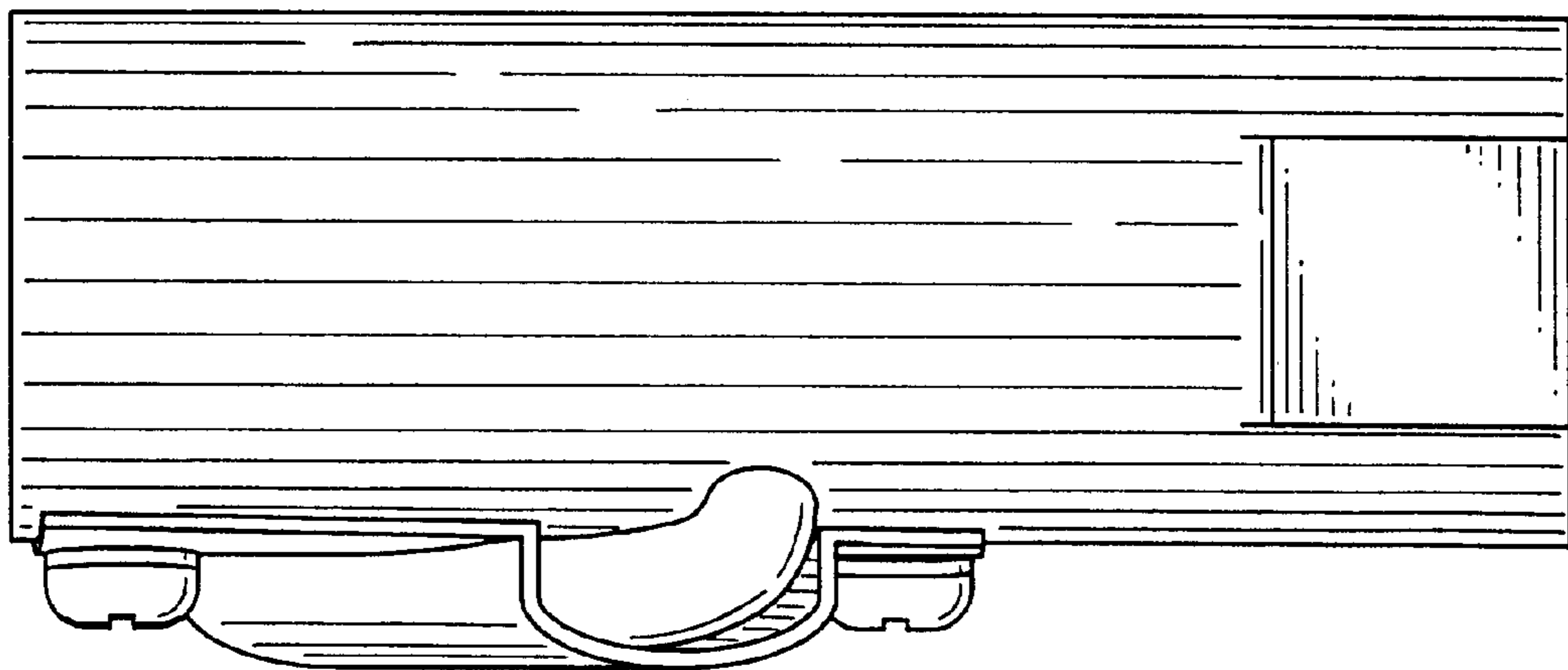


FIG. 4

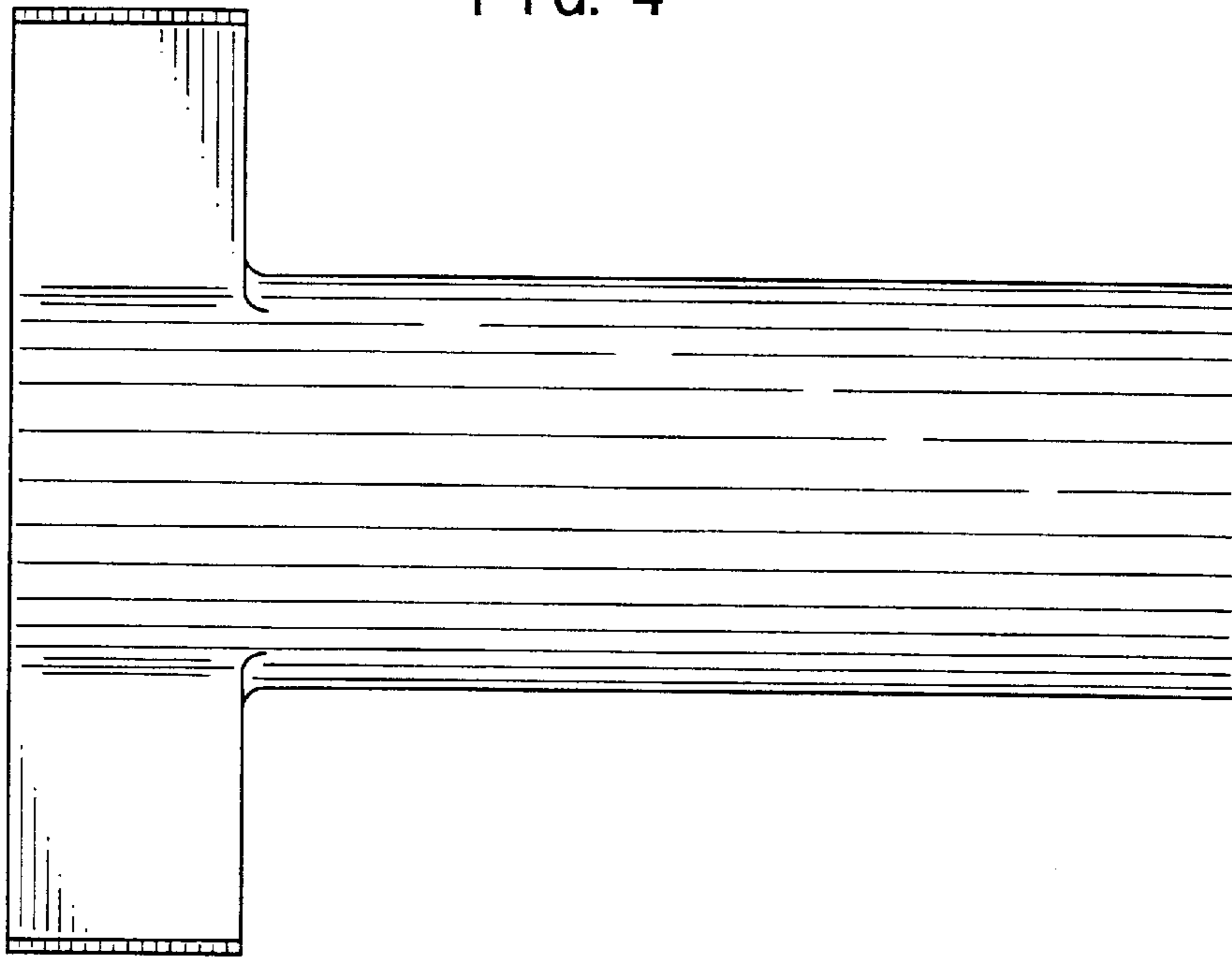


FIG. 5

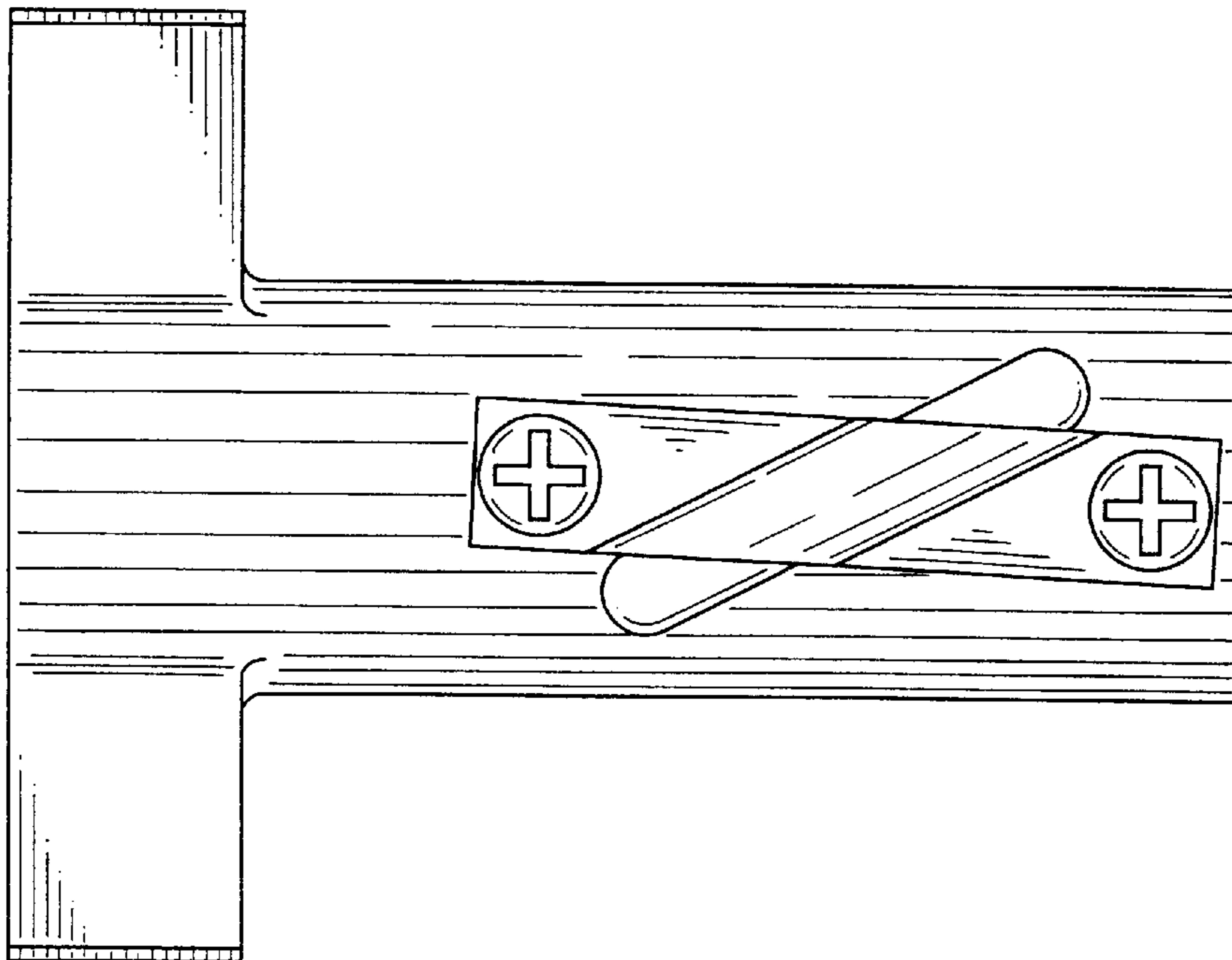


FIG. 6

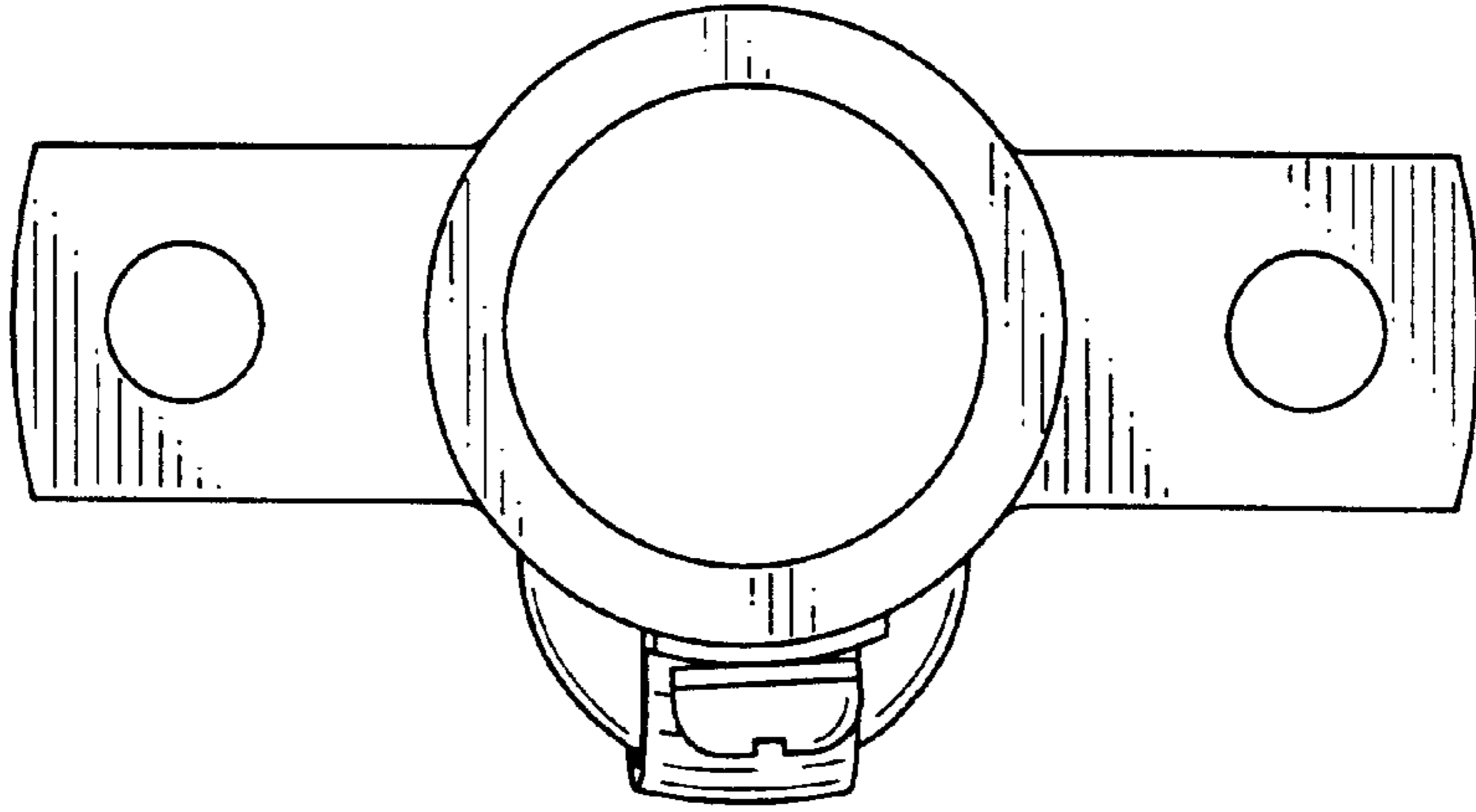


FIG. 7

