



US00D473783S

(12) **United States Design Patent**
Kiely

(10) **Patent No.:** **US D473,783 S**

(45) **Date of Patent:** **** Apr. 29, 2003**

(54) **CABLE CONNECTOR**

(75) **Inventor:** **Kenneth M. Kiely, Milford, CT (US)**

(73) **Assignee:** **Bridgeport Fittings, Inc., Stratford, CT (US)**

(**) **Term:** **14 Years**

(21) **Appl. No.:** **29/148,555**

(22) **Filed:** **Sep. 24, 2001**

(51) **LOC (7) Cl.** **08-08**

(52) **U.S. Cl.** **D8/396**

(58) **Field of Search** D8/394-396; 248/49,
248/62, 63, 74.1; 403/7, 110, 118, 197,
282, DIG. 9

(56) **References Cited**

U.S. PATENT DOCUMENTS

1,793,883	A	*	2/1931	Church	403/197
4,180,227	A	*	12/1979	Gretz	403/197
4,264,046	A	*	4/1981	Nattel et al.	248/56
4,585,367	A	*	4/1986	Gall	403/110
5,271,684	A	*	12/1993	Phillips	403/375
D361,033	S	*	8/1995	Van Beveren et al.	D8/396

5,782,571	A	*	7/1998	Hufford et al.	403/322.1
D415,017	S	*	10/1999	Lo	D8/396
D438,783	S	*	3/2001	Elliott	D8/396

* cited by examiner

Primary Examiner—Louis S. Zarfaz

Assistant Examiner—Deanne Levy

(74) *Attorney, Agent, or Firm*—Melvin I. Stoltz

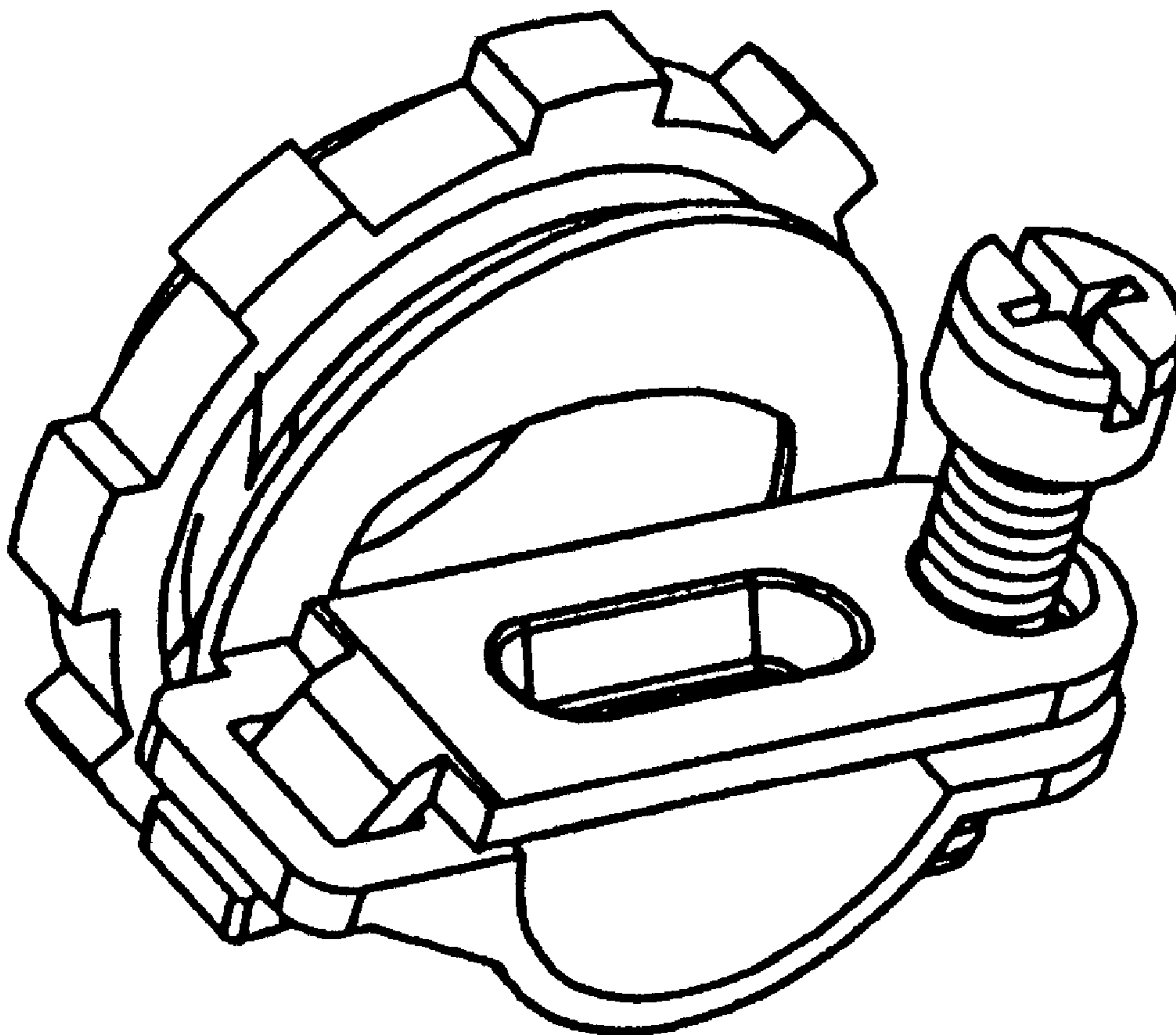
(57) **CLAIM**

The ornamental design for a cable connector, as shown and described.

DESCRIPTION

FIG. 1 is a perspective view of the cable connector showing my new design;
 FIG. 2 is a front elevational view thereof;
 FIG. 3 is a rear elevational view thereof;
 FIG. 4 is a top plan view thereof;
 FIG. 5 is a bottom plan view thereof;
 FIG. 6 is a side elevational view thereof, looking from the right side of FIG. 2; and,
 FIG. 7 is a side elevational view thereof, looking from the left side of FIG. 2.

1 Claim, 2 Drawing Sheets



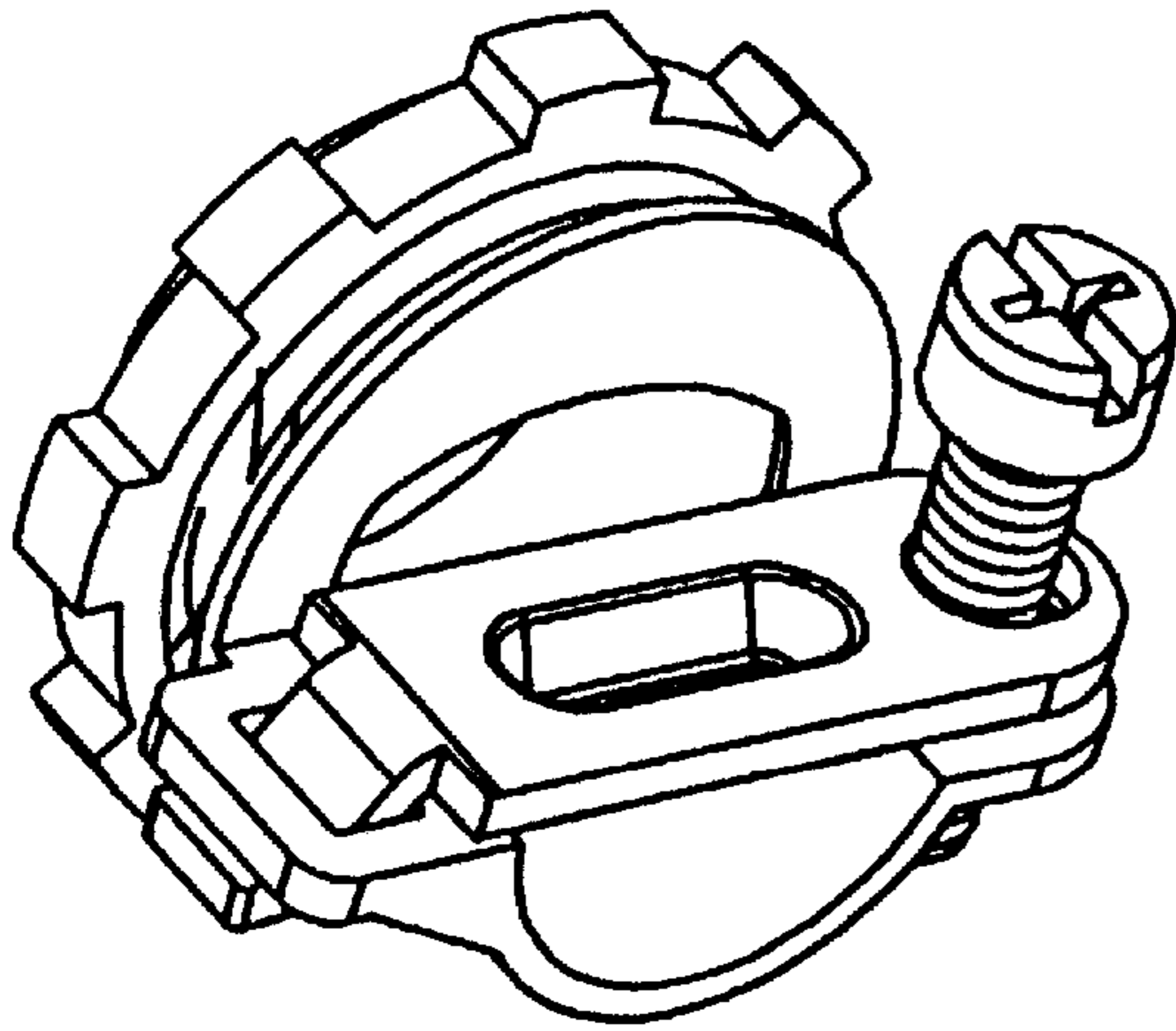


FIG. 1

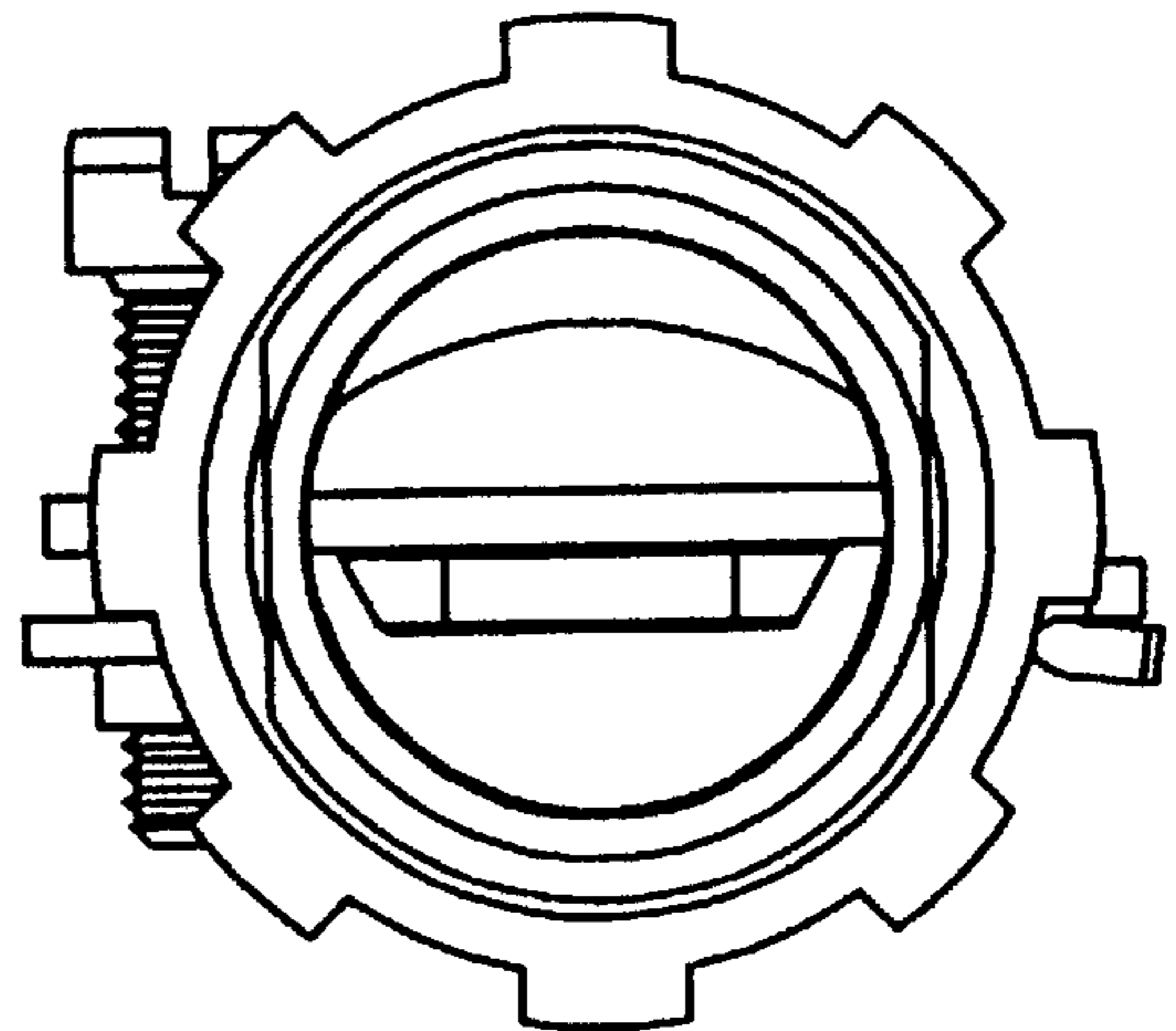


FIG. 2

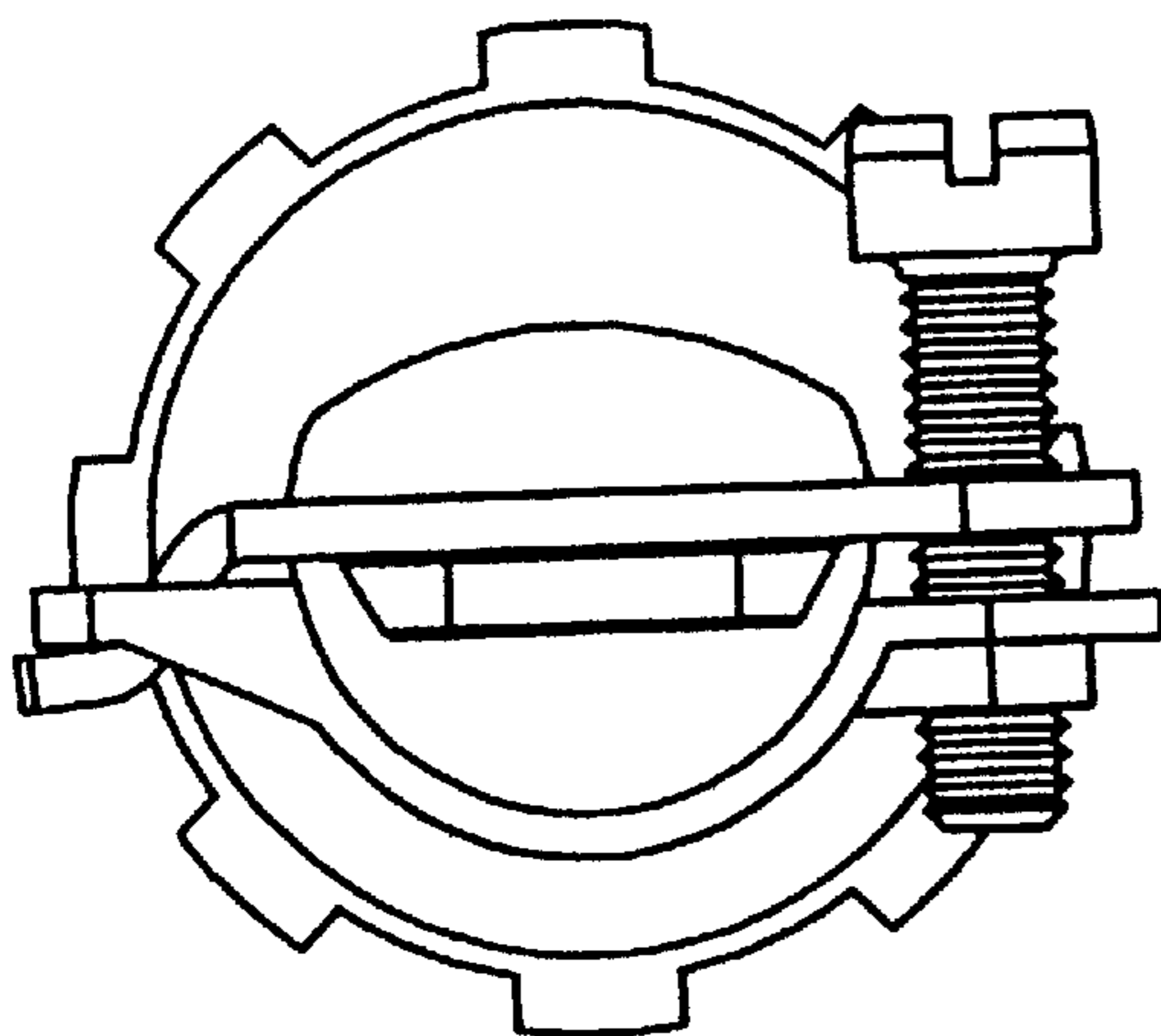


FIG. 3

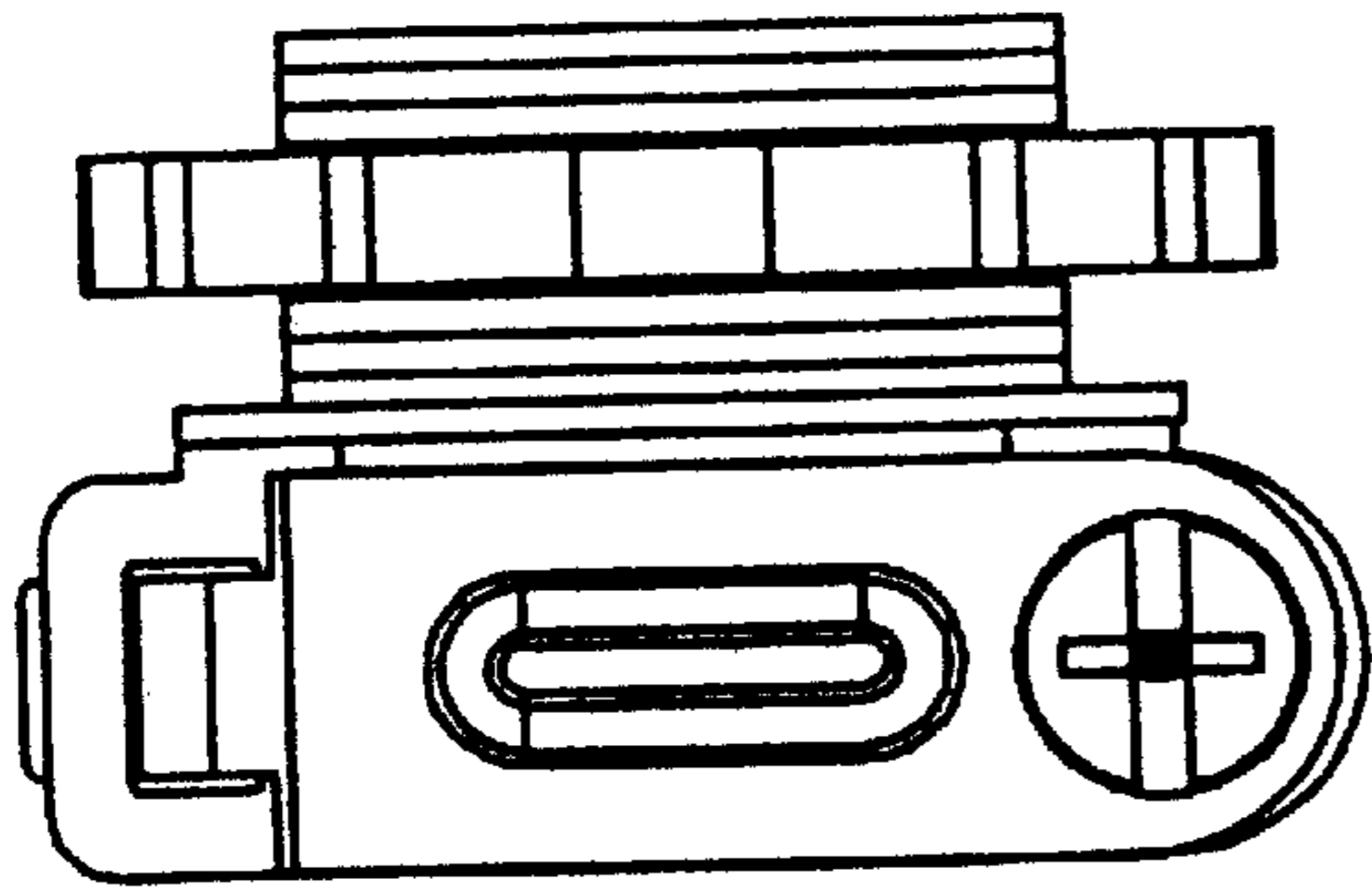


FIG. 4

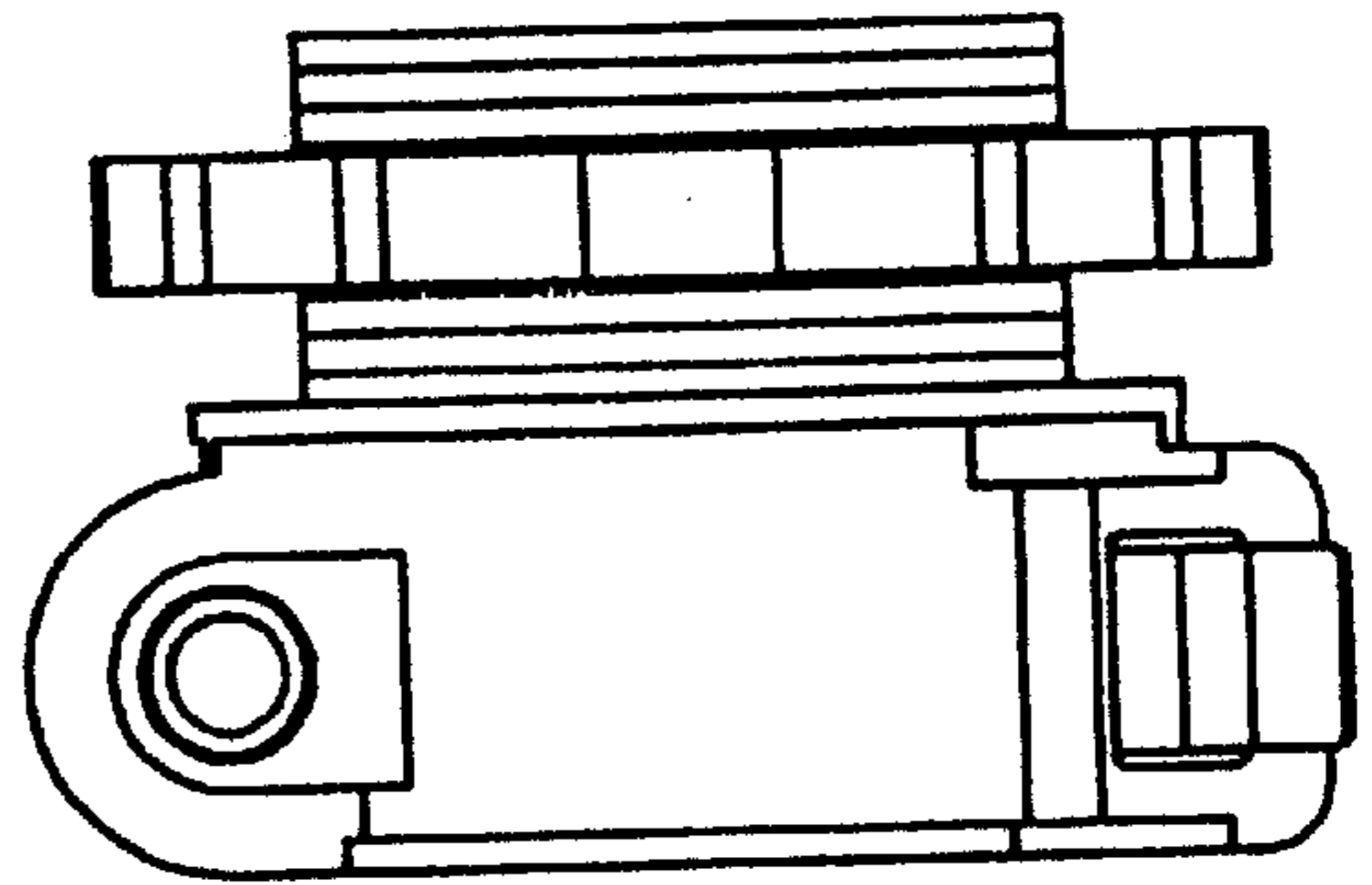


FIG. 5

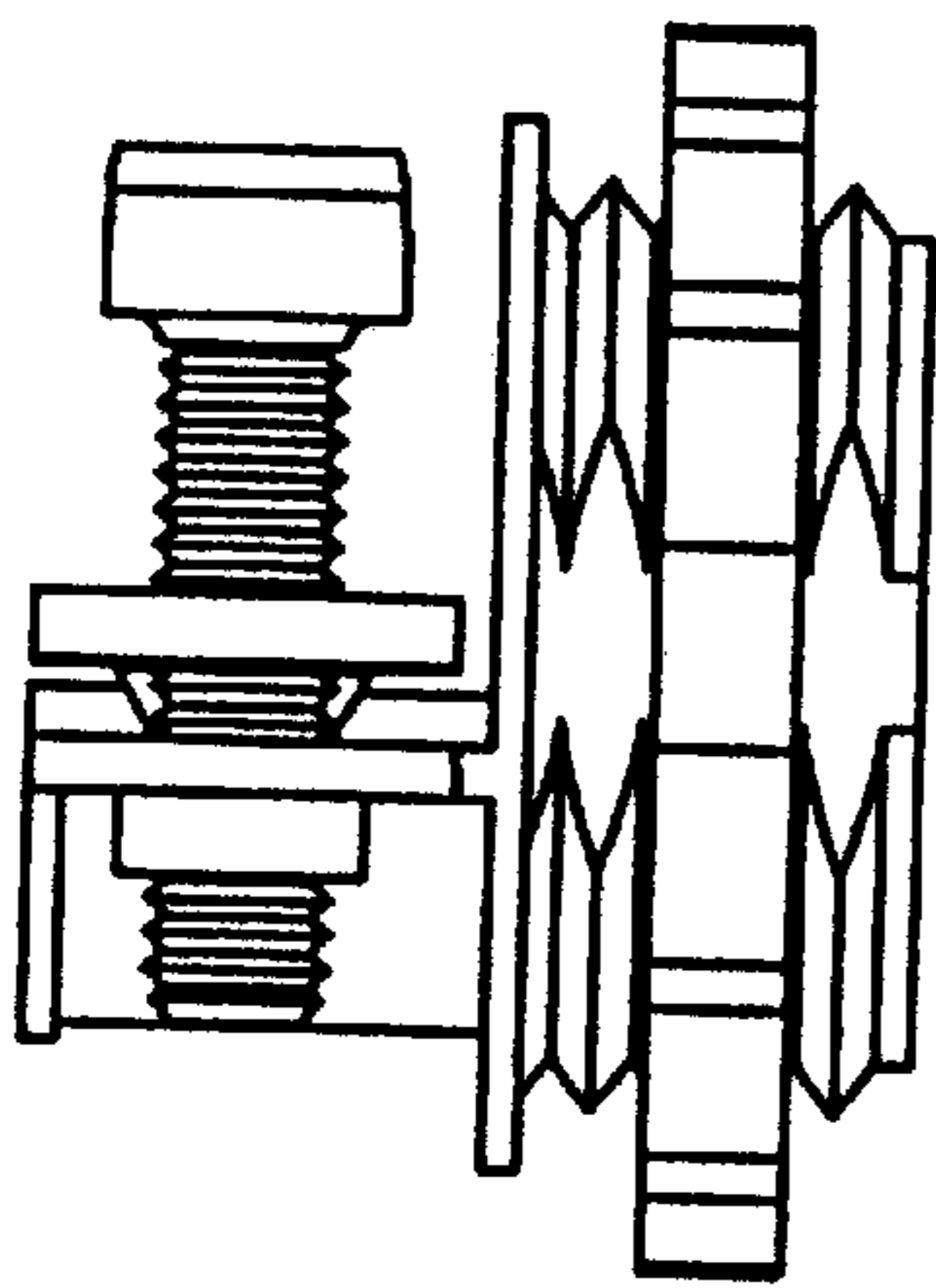


FIG. 6

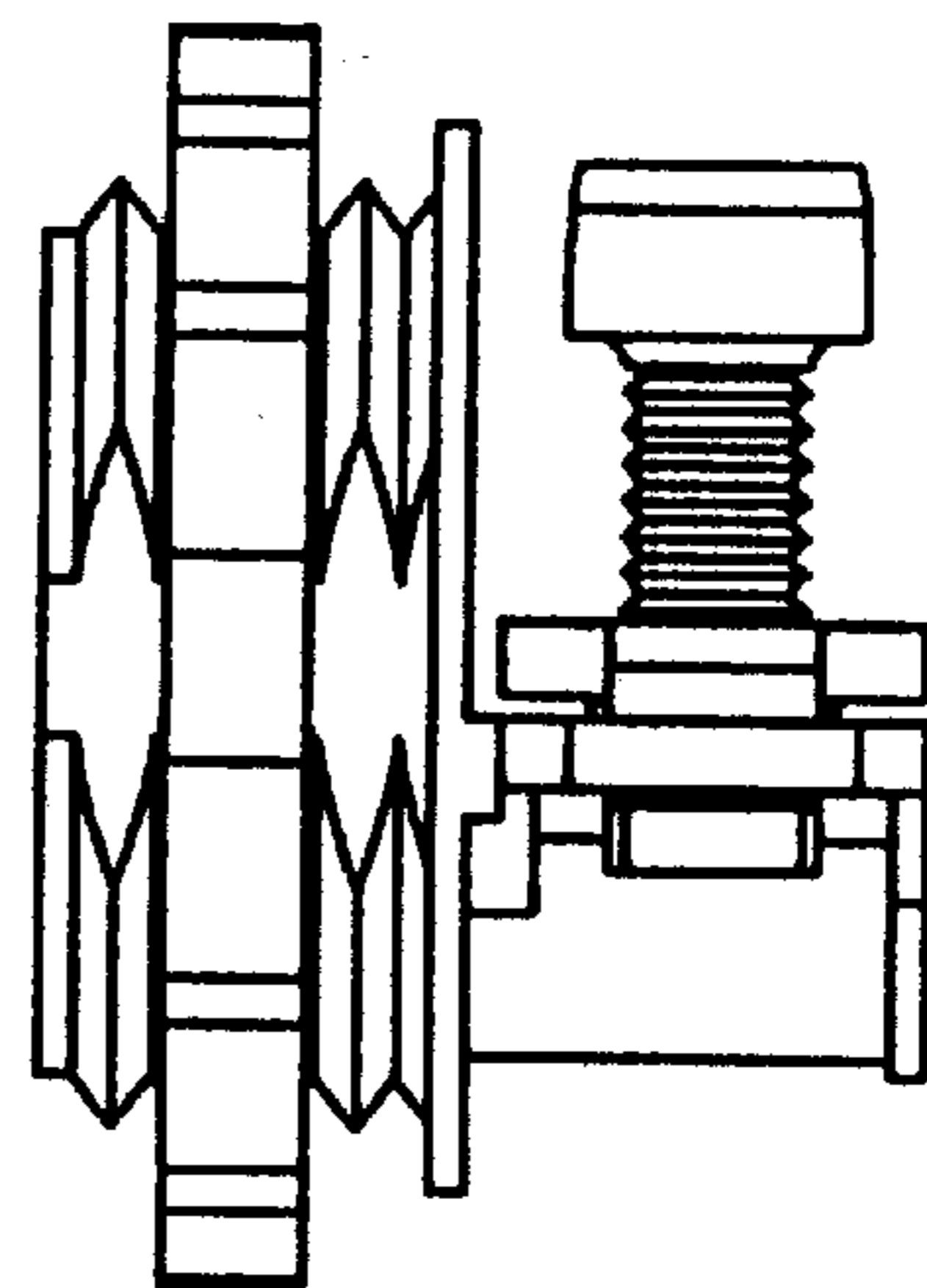


FIG. 7