



US00D473782S

(12) **United States Design Patent**
Wu et al.

(10) **Patent No.:** **US D473,782 S**

(45) **Date of Patent:** **** Apr. 29, 2003**

(54) **OPTICAL FIBER HOLDER**

(75) Inventors: **Kun-Tsan Wu**, Tu-Chen (TW);
Tsung-Wei Chiang, Tu-Chen (TW);
Ming Chiang Tsai, Tu-Chen (TW)

(73) Assignee: **Hon Hai Precision Ind. Co., Ltd.**,
Taipei Hsien (TW)

(**) Term: **14 Years**

(21) Appl. No.: **29/150,751**

(22) Filed: **Nov. 27, 2001**

(30) **Foreign Application Priority Data**

Oct. 12, 2001 (TW) 90306467
Oct. 17, 2001 (TW) 90306596

(51) **LOC (7) Cl.** **08-05**

(52) **U.S. Cl.** **D8/356**

(58) **Field of Search** D8/349, 354, 356,
D8/366, 371; D13/154, 155; 24/563; 248/27.3,
68.1, 71, 73, 74.2, 200, 220.21, 220.22,
222.11, 300, 316.1, 316.2, 316.7, 500; 361/825;
385/86, 87, 135, 136, 137

(56) **References Cited**

U.S. PATENT DOCUMENTS

2,605,806 A * 8/1952 Tinnerman 248/27.3
2,712,917 A * 7/1955 Flora et al. 248/71

2,901,303 A * 8/1959 Anderson 248/222.11
3,286,963 A * 11/1966 Bergman D8/354
3,989,210 A * 11/1976 Berkman et al. 248/73
5,835,652 A * 11/1998 Yagi et al. 385/87
5,871,370 A * 2/1999 Kameyama et al. 439/557
D448,735 S * 10/2001 Clark D13/154

* cited by examiner

Primary Examiner—Doris V. Coles

Assistant Examiner—Elizabeth A. Albert

(74) *Attorney, Agent, or Firm*—Wei Te Chung

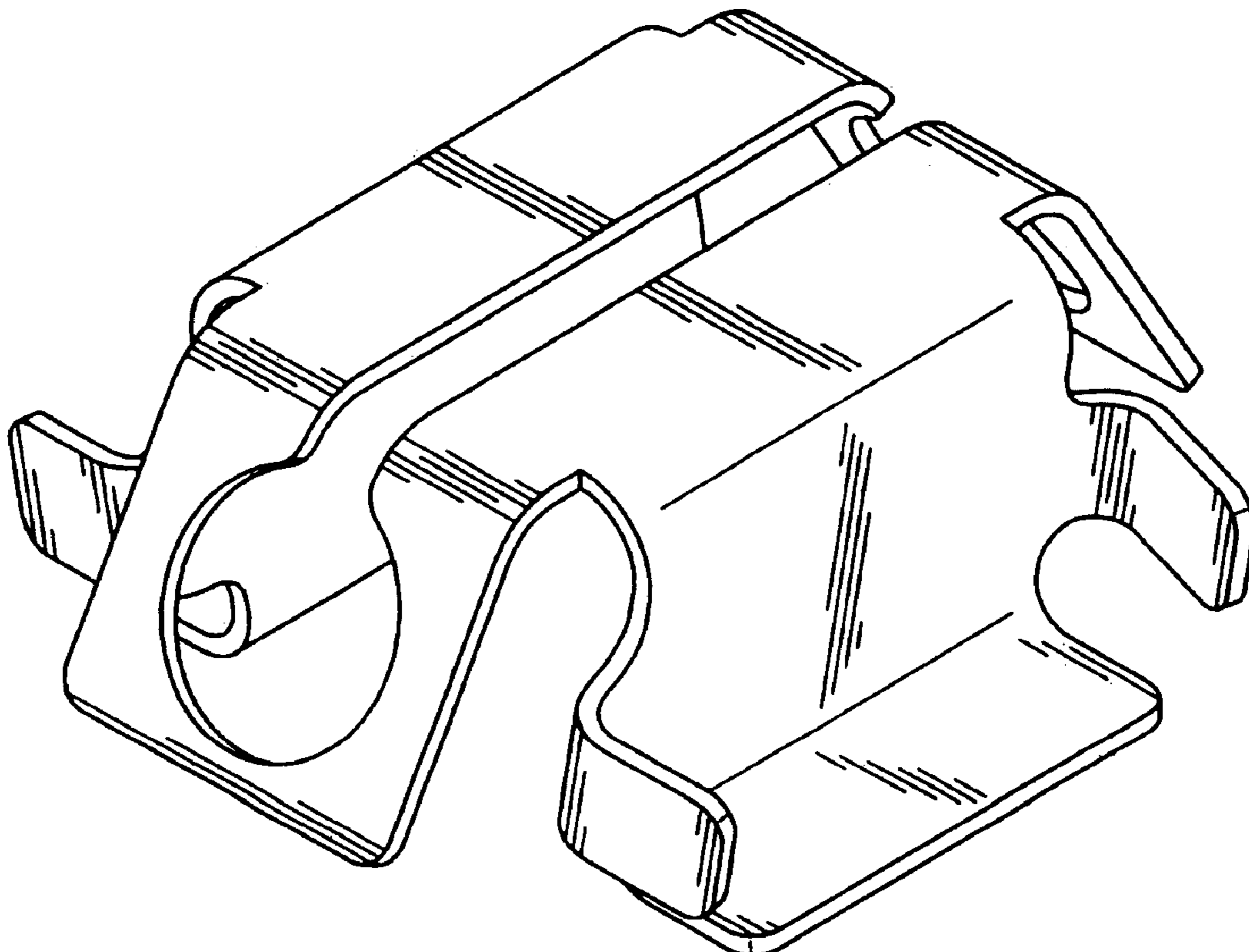
(57) **CLAIM**

The ornamental design for an optical fiber holder, as shown and described.

DESCRIPTION

FIG. 1 is a perspective view of an optical fiber holder showing our new design;
FIG. 2 is a front view of FIG. 1;
FIG. 3 is a rear view of FIG. 1;
FIG. 4 is a left side elevational view of FIG. 1;
FIG. 5 is a right side elevational view of FIG. 1;
FIG. 6 is a top plan view of FIG. 1;
FIG. 7 is a bottom plan view of FIG. 1; and,
FIG. 8 is a perspective view showing the optical fiber holder of FIG. 1, the optical fiber holder being mounted to a substrate which is shown in broken lines for illustrative purposes only and forms no part of the claimed design.

1 Claim, 5 Drawing Sheets



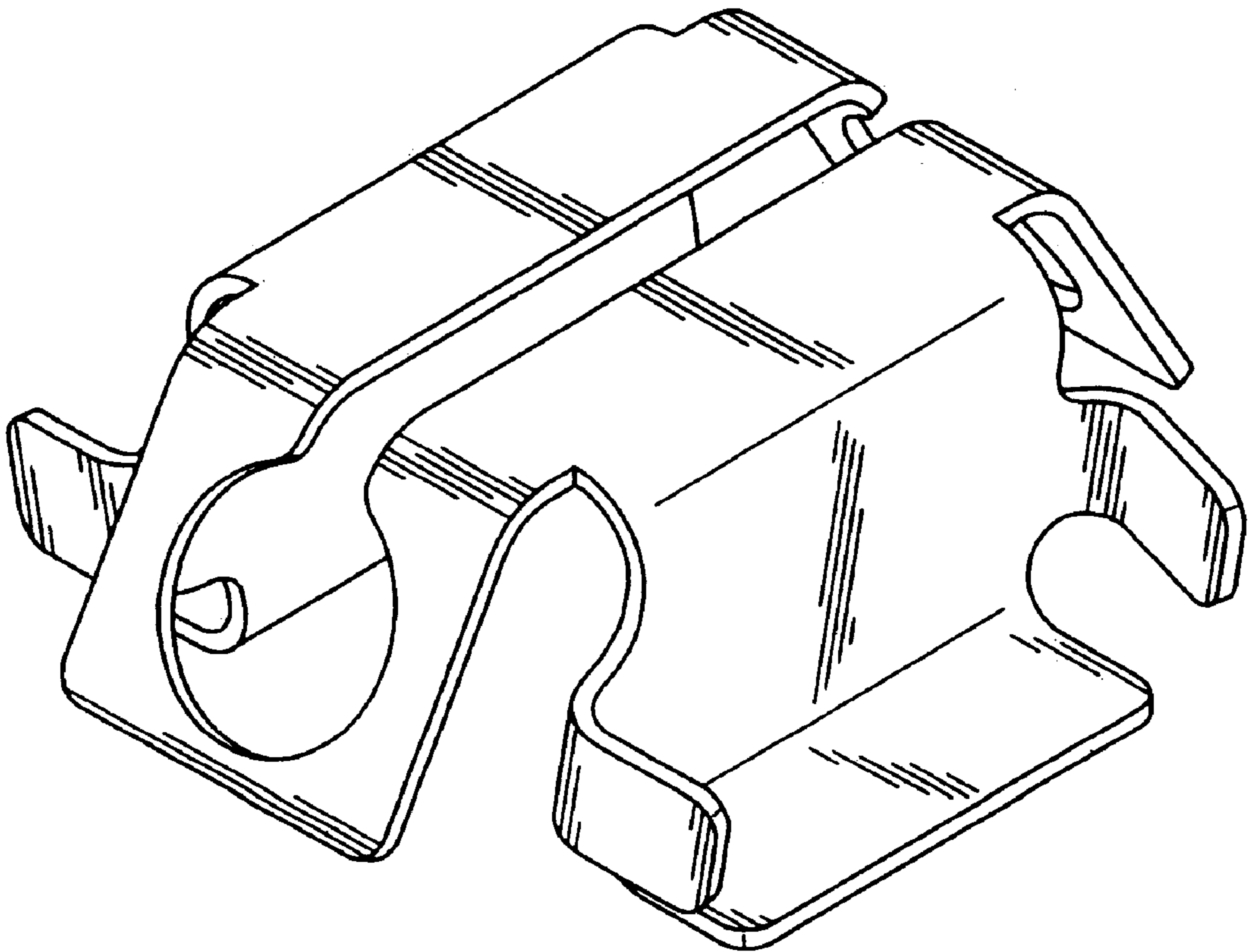


FIG. 1

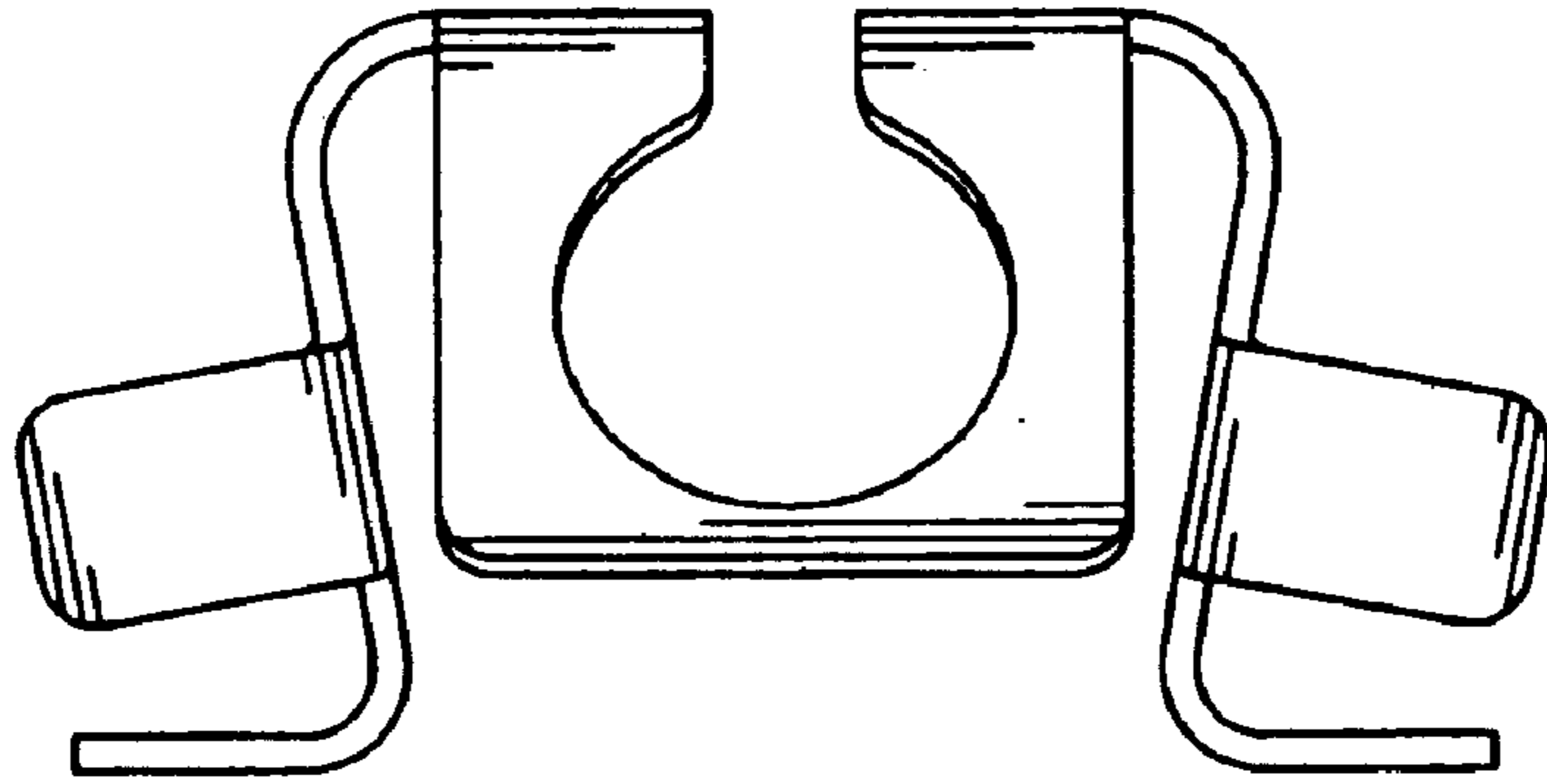


FIG. 2

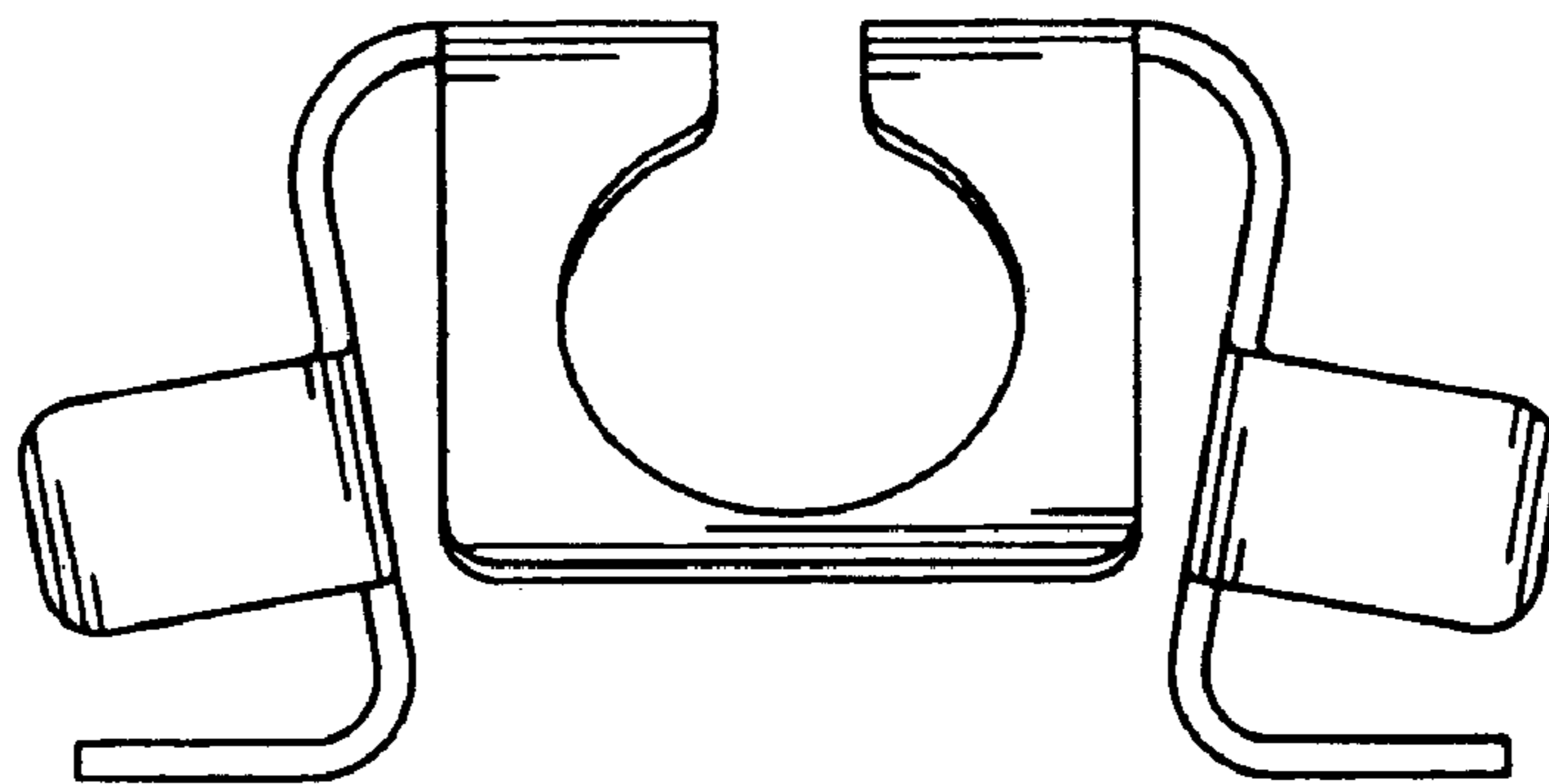


FIG. 3

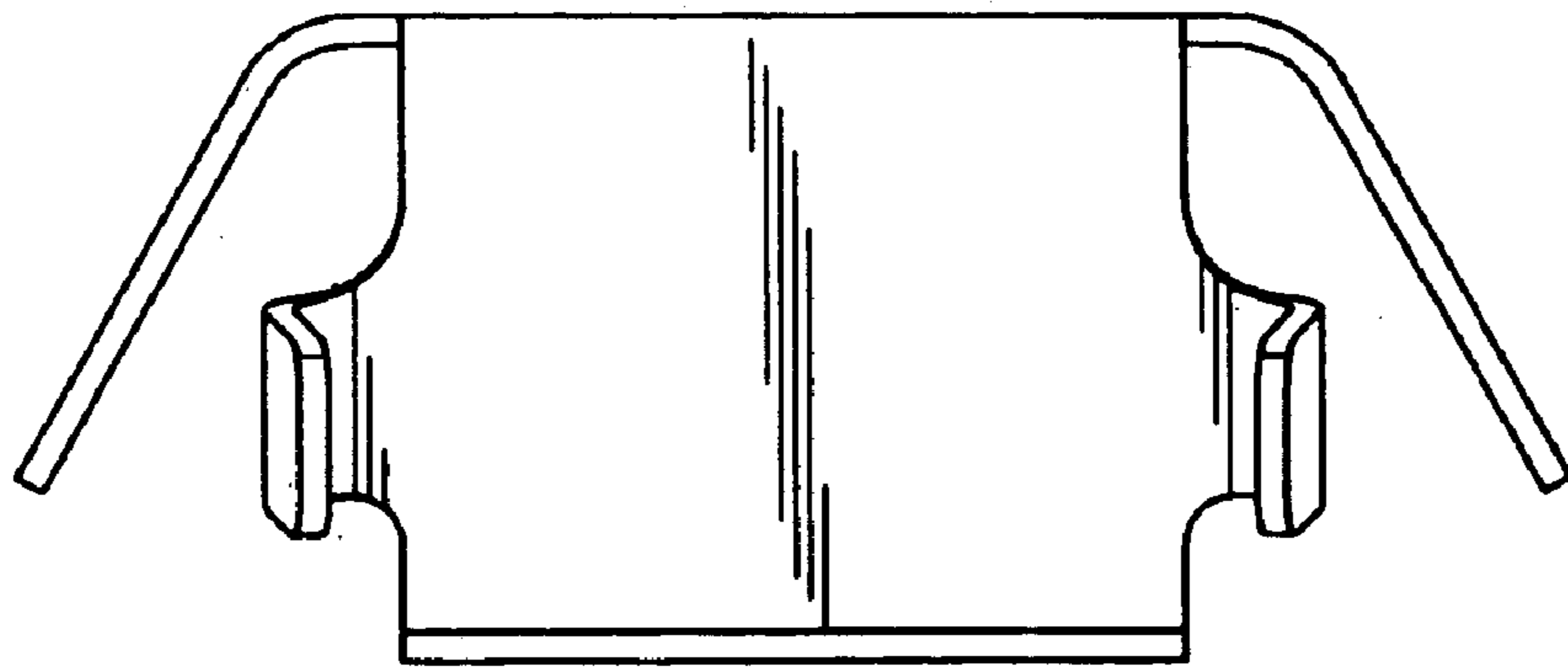


FIG. 4

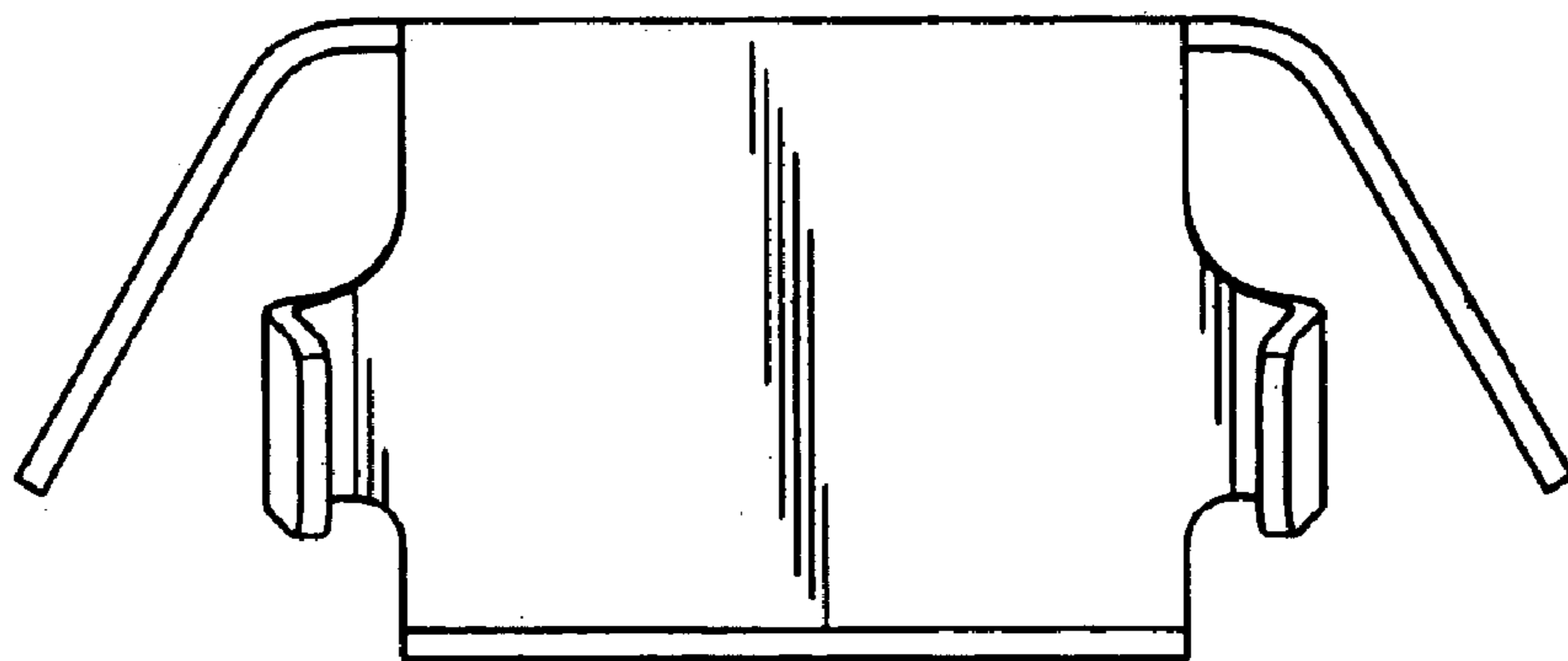


FIG. 5

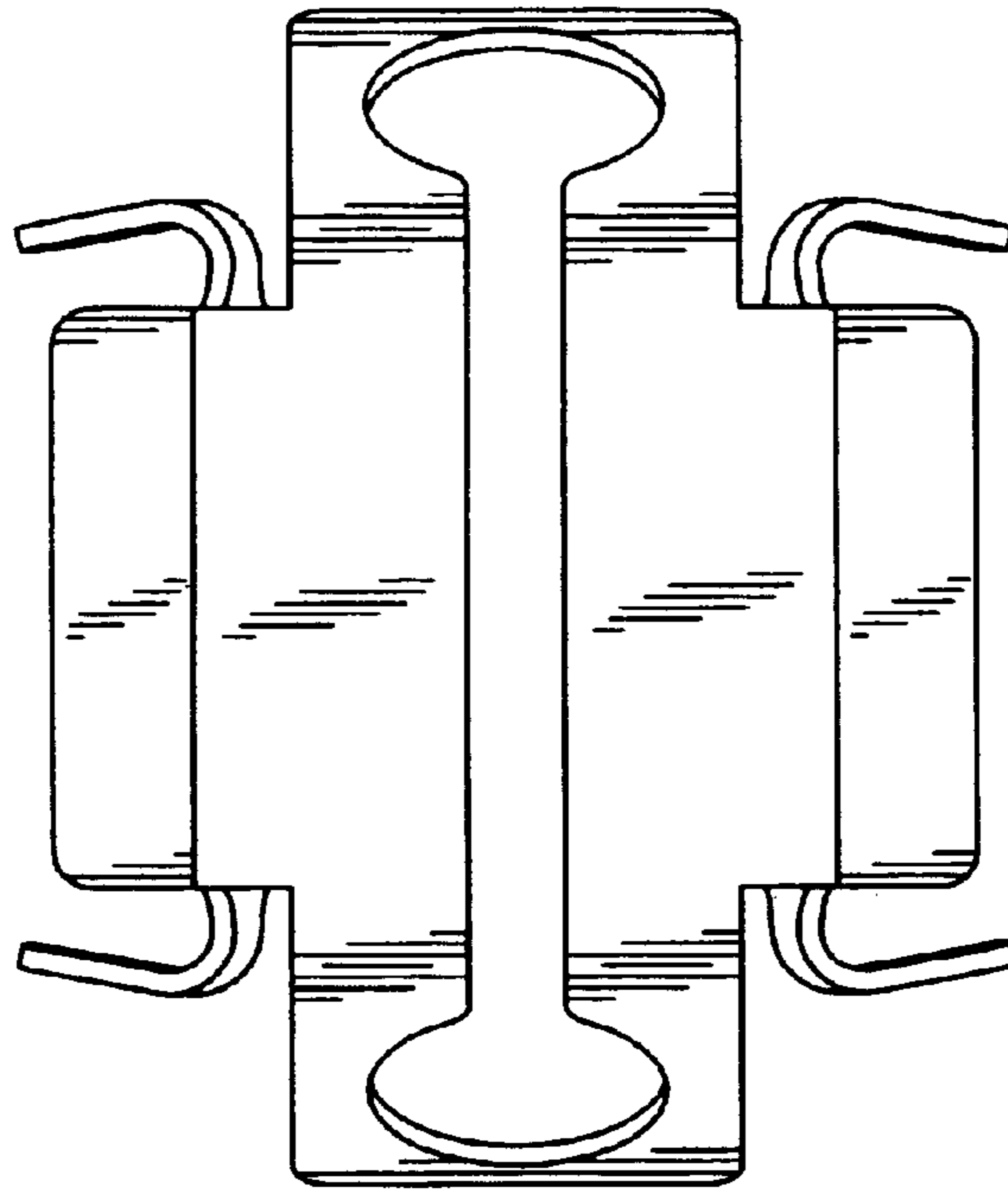


FIG. 6

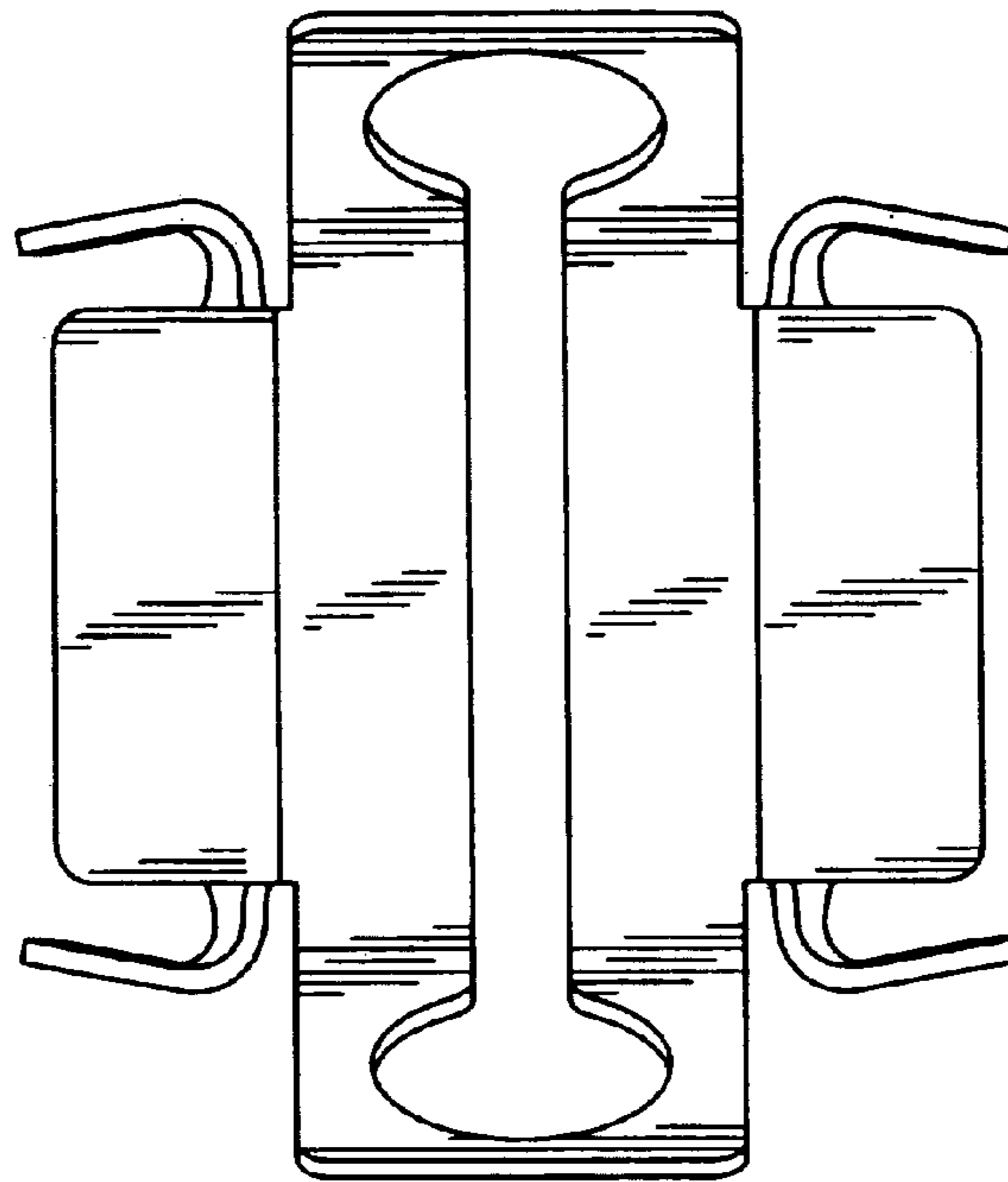


FIG. 7

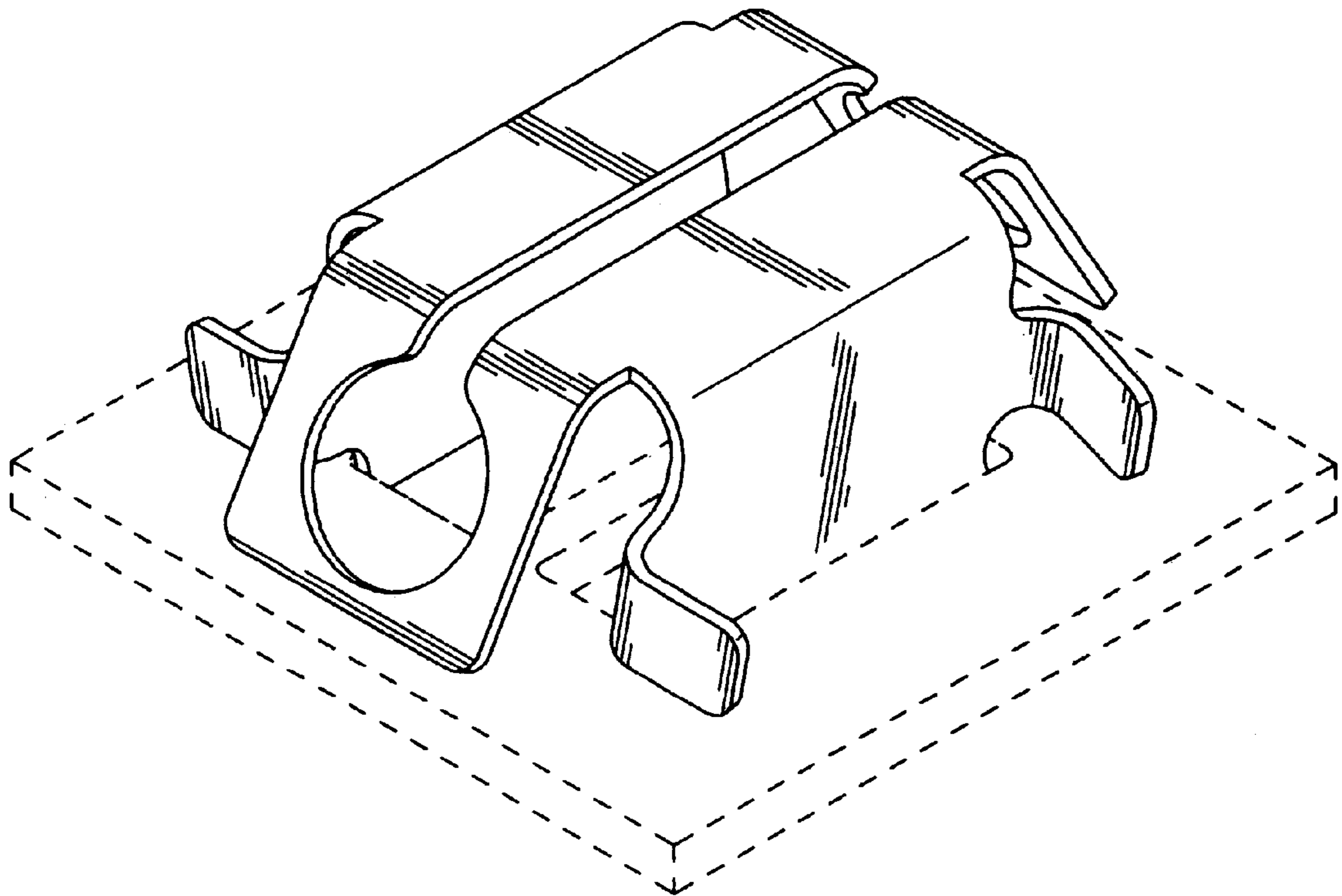


FIG. 8