



US00D473774S

(12) **United States Design Patent**
Stirm

(10) **Patent No.:** **US D473,774 S**

(45) **Date of Patent:** **** Apr. 29, 2003**

(54) **COMPACT HAMMER**

(75) Inventor: **Michael Stirm**, Oberursel (DE)

(73) Assignee: **Black & Decker Inc.**, Newark, DE (US)

(**) Term: **14 Years**

(21) Appl. No.: **29/165,651**

(22) Filed: **Aug. 14, 2002**

(30) **Foreign Application Priority Data**

Feb. 14, 2002 (GB) 3001471

(51) **LOC (7) Cl.** **08-02**

(52) **U.S. Cl.** **D8/69**

(58) **Field of Search** D8/61, 62, 63, D8/64, 65, 66, 67, 68, 69, 70; 81/57.11, 429, 464, 465, 466, 469, 489; 173/13, 169, 178, 213, 217; 227/8, 114, 120, 130, 136, 142; 310/50; 408/20, 124, 125, 234, 241 R; 451/358

(56) **References Cited**

U.S. PATENT DOCUMENTS

3,395,765 A * 8/1968 Schnettler 173/13
D301,300 S * 5/1989 Sasaki et al. D8/69
D361,252 S * 8/1995 De Neergaard et al. D8/69

D386,379 S * 11/1997 Kasuya D8/69
D408,699 S * 4/1999 Zurwelle D8/64
D409,468 S * 5/1999 Uchida et al. D8/69
D428,786 S * 8/2000 Hayakawa et al. D8/69
D447,677 S * 9/2001 Stirm D8/69
D466,780 S * 12/2002 Stirm D8/69

* cited by examiner

Primary Examiner—Doris V. Coles

Assistant Examiner—T. Chase Nelson

(74) *Attorney, Agent, or Firm*—Michael P. Leary; Bruce S. Shapiro; Charles E. Yocum

(57) **CLAIM**

The ornamental design for a compact hammer, as shown and described.

DESCRIPTION

FIG. 1 is a front perspective view of a compact hammer showing my new design.

FIG. 2 is a rear perspective view of FIG. 1.

FIG. 3 is a left side elevational view of FIG. 1.

FIG. 4 is a right side elevational view of FIG. 1.

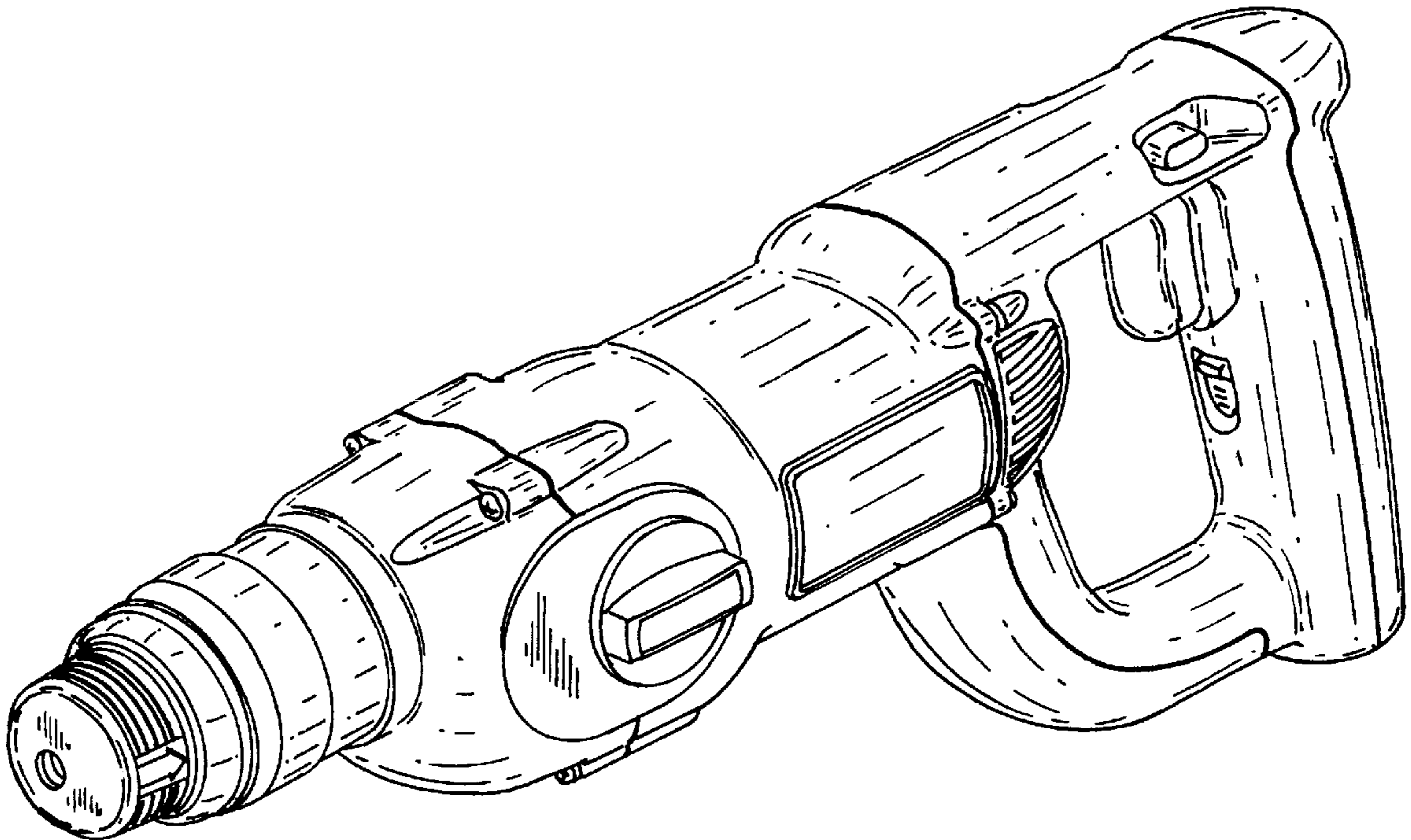
FIG. 5 is a top plan view of FIG. 1.

FIG. 6 is a bottom plan view of FIG. 1.

FIG. 7 is a front elevational view of FIG. 1; and,

FIG. 8 is a rear elevational view of FIG. 1.

1 Claim, 7 Drawing Sheets



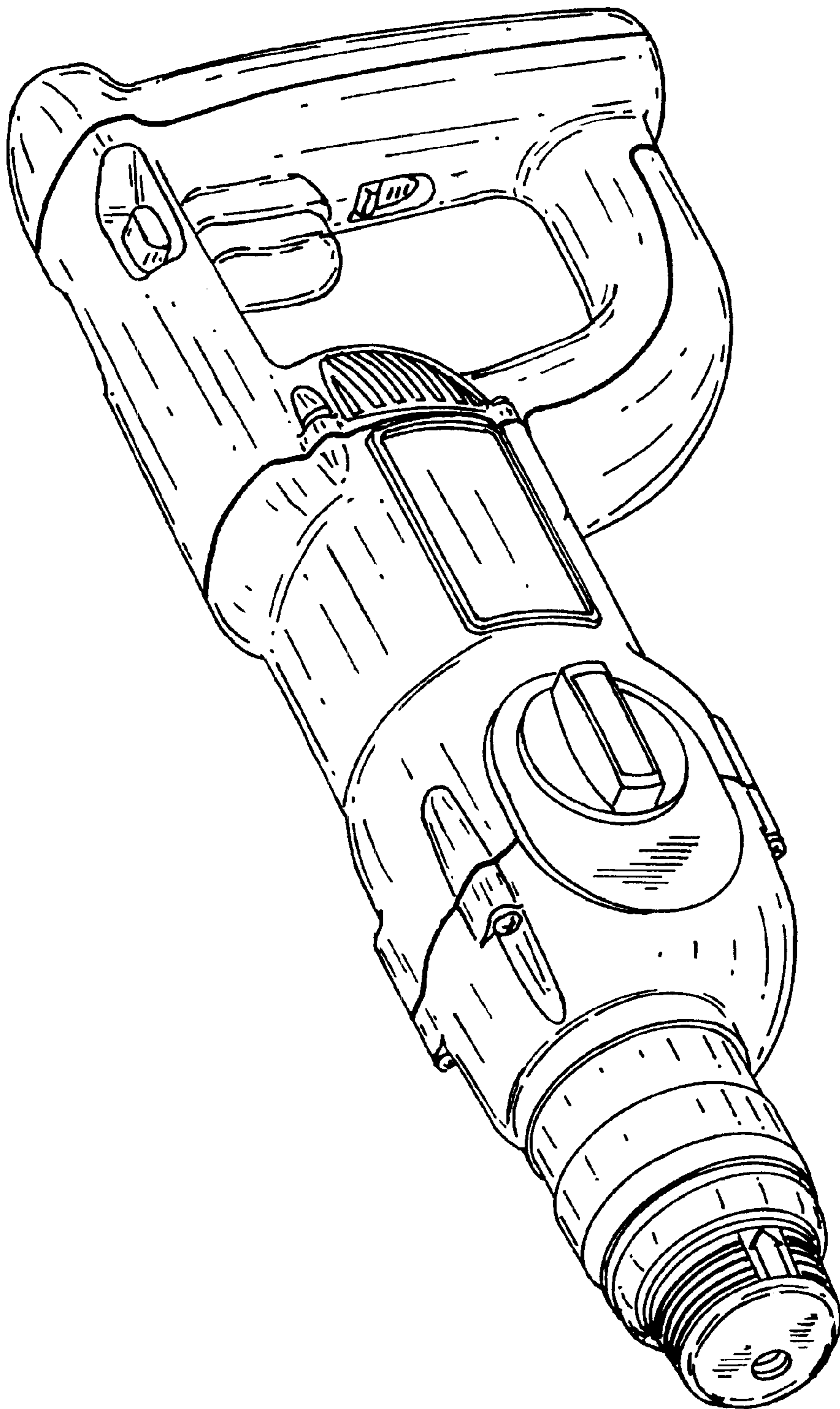


FIG. 1

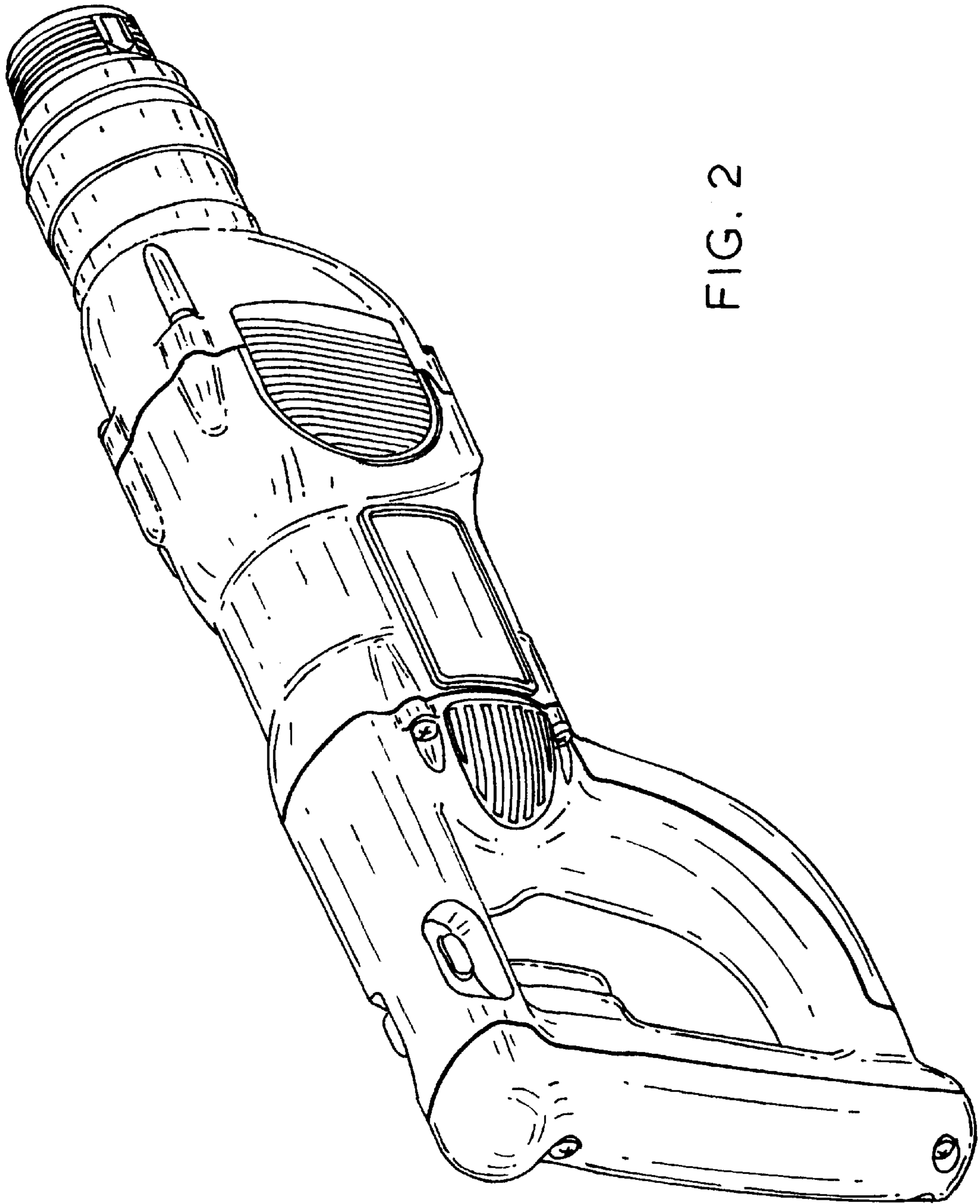


FIG. 2

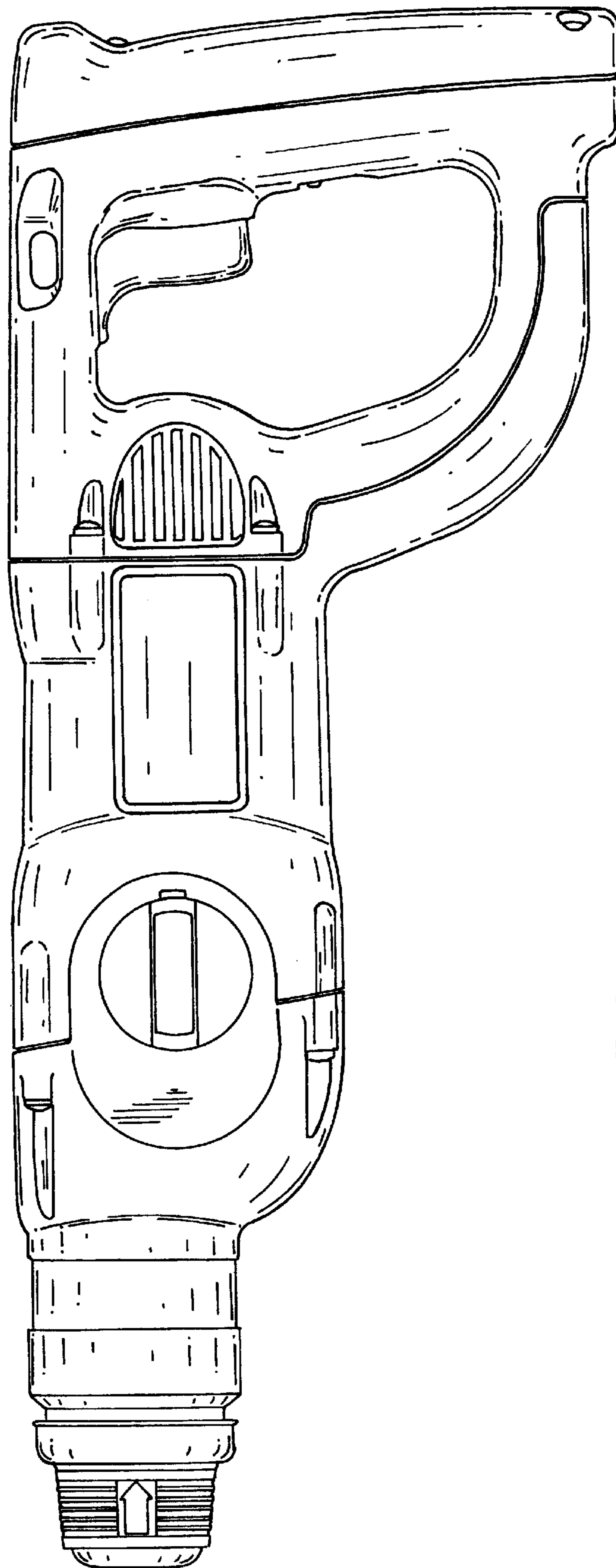


FIG. 3

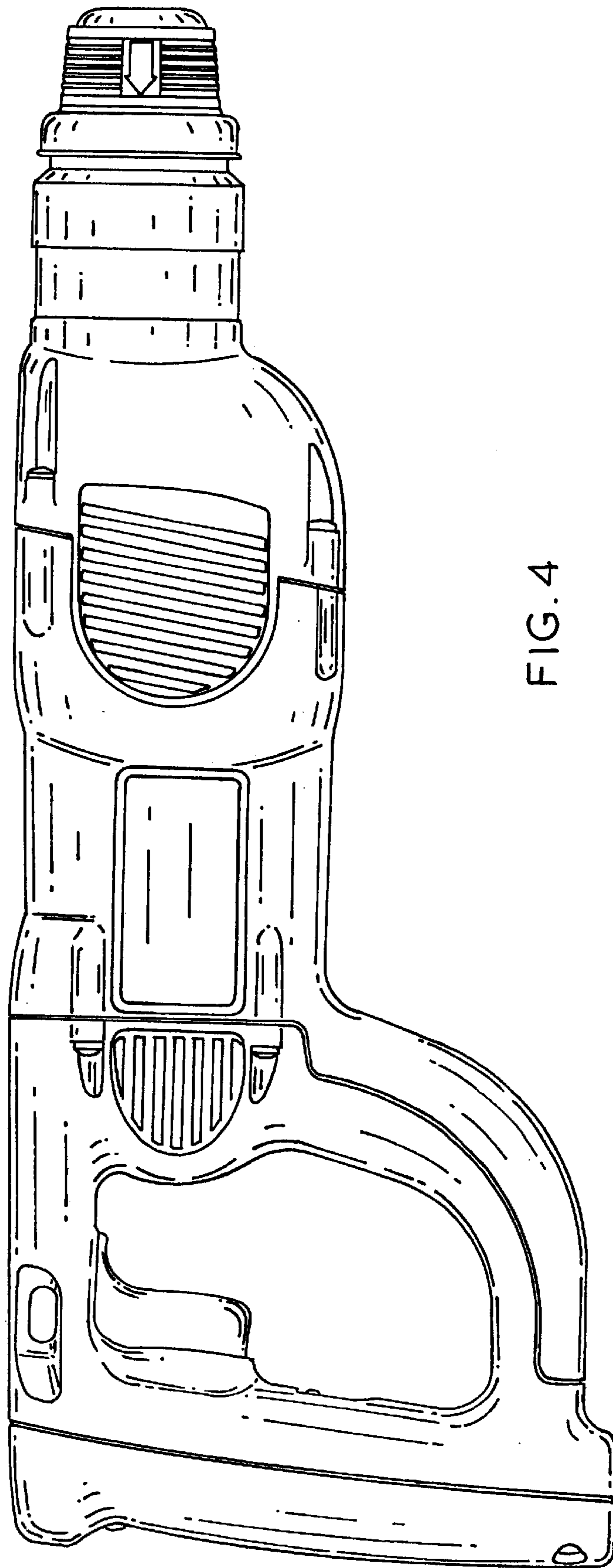


FIG. 4

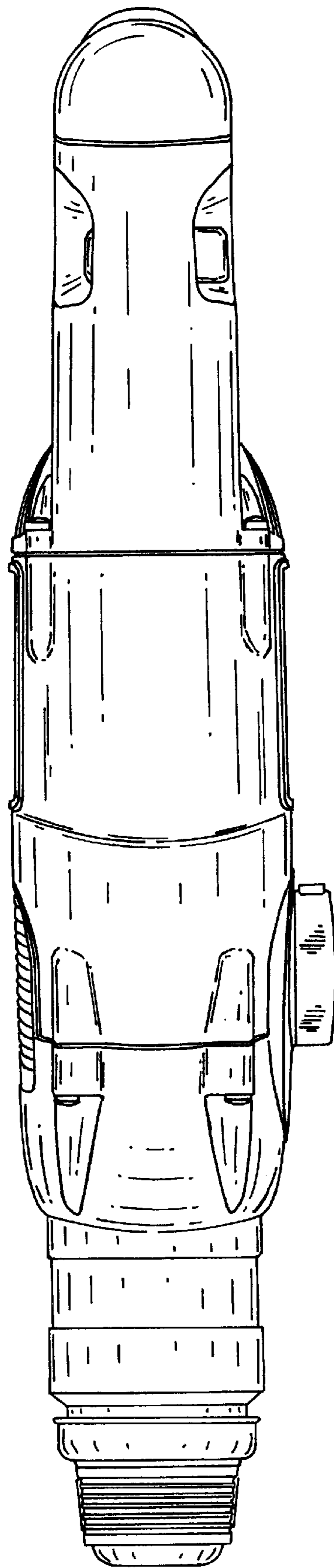


FIG. 5

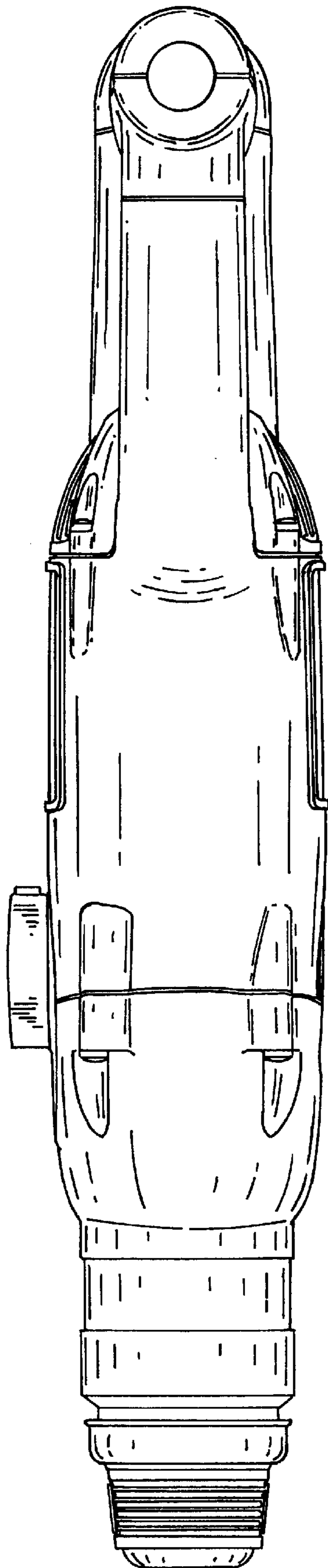


FIG. 6

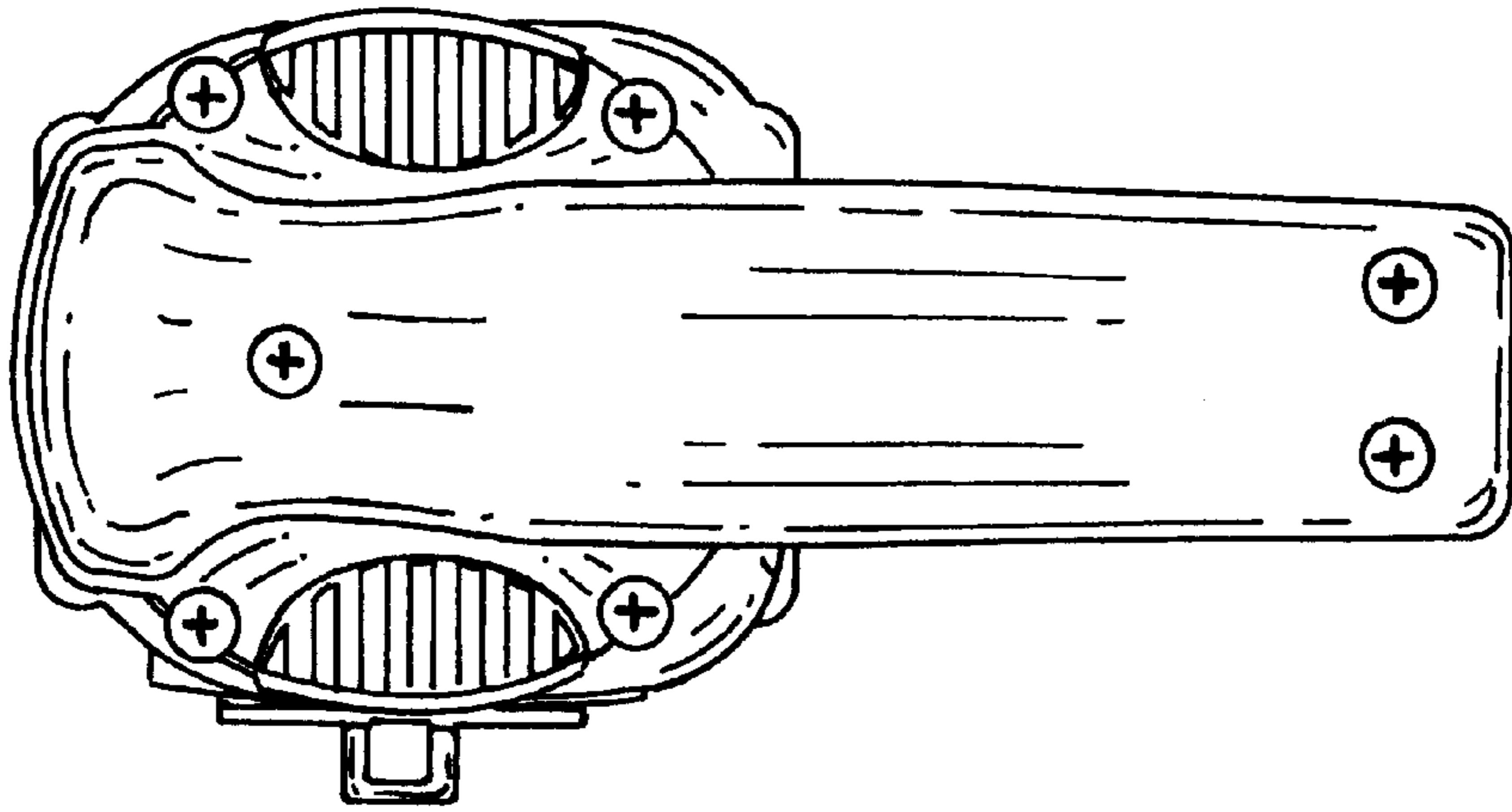


FIG. 8

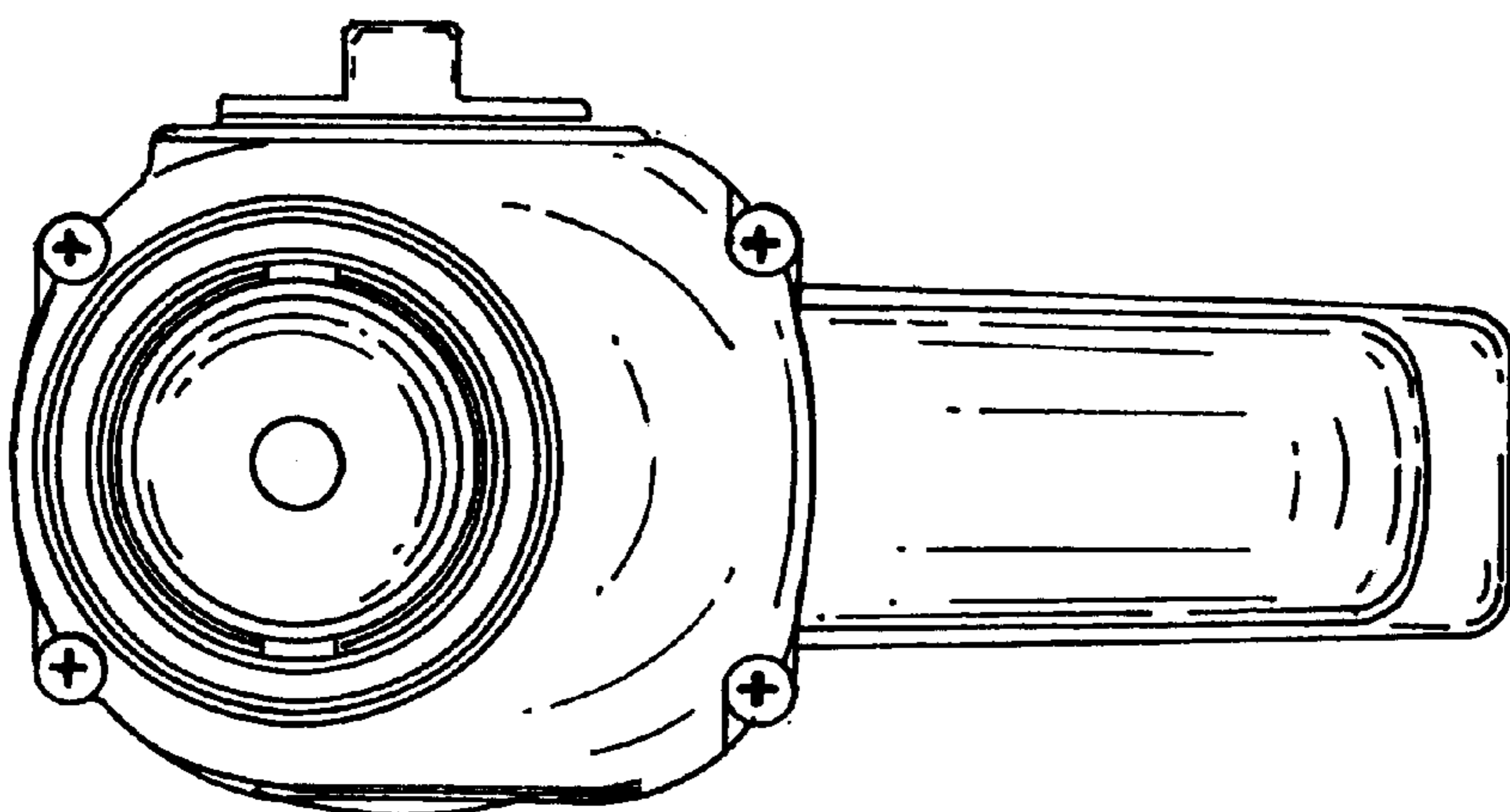


FIG. 7