



US00D473771S

(12) **United States Design Patent**
Hayakawa et al.

(10) **Patent No.:** **US D473,771 S**

(45) **Date of Patent:** **** Apr. 29, 2003**

- (54) **PORTABLE ELECTRIC SAW**
- (75) Inventors: **Naohiro Hayakawa, Anjo (JP);
Yasuhiro Kakiuchi, Anjo (JP)**
- (73) Assignee: **Makita Corporation, Anjo (JP)**
- (**) Term: **14 Years**
- (21) Appl. No.: **29/153,341**
- (22) Filed: **Jan. 9, 2002**
- (30) **Foreign Application Priority Data**
Aug. 6, 2001 (JP) 2001-026586
- (51) **LOC (7) Cl.** **08-03**
- (52) **U.S. Cl.** **D8/64**
- (58) **Field of Search** D8/61, 62, 64,
D8/68; 30/272.1, 374, 375, 376, 377, 388,
392, 393, 394, 500; 173/15, 47, 48, 109,
170, 216, 217; 310/47, 50; 408/241 R,
241 S
- (56) **References Cited**
U.S. PATENT DOCUMENTS
D401,128 S * 11/1998 Zurwelle D8/64
D428,786 S 8/2000 Hayakawa et al.

- 6,189,217 B1 * 2/2001 Melvin et al. 30/392
- D440,849 S * 4/2001 Sakai et al. D8/64
- 6,272,757 B1 * 8/2001 Roe 30/377
- 6,286,609 B1 * 9/2001 Carrier et al. 310/50
- D456,233 S * 4/2002 Main D8/64

* cited by examiner

Primary Examiner—Doris V. Coles
Assistant Examiner—Elizabeth Albert

(74) *Attorney, Agent, or Firm*—Dennison, Schultz & Dougherty

(57) **CLAIM**

The ornamental design for a portable electric saw, as shown and described.

DESCRIPTION

FIG. 1 is a perspective view of a portable electric saw showing our new design;
FIG. 2 is a front elevation view thereof;
FIG. 3 is a rear elevation view thereof;
FIG. 4 is a top plan view thereof;
FIG. 5 is a bottom plan view thereof;
FIG. 6 is a left side elevation view thereof; and,
FIG. 7 is a right side elevation view thereof.

1 Claim, 5 Drawing Sheets

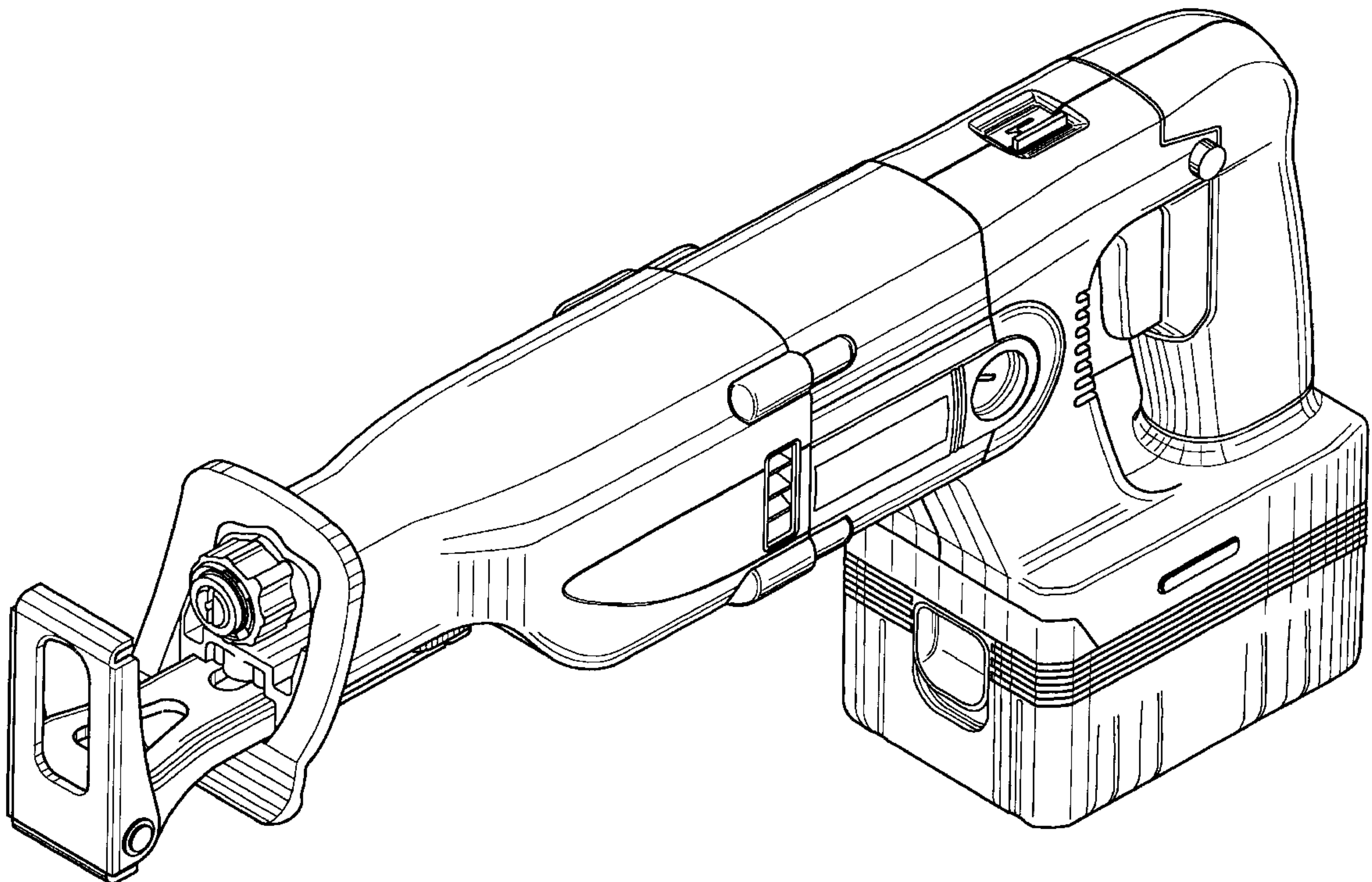


FIG. 1

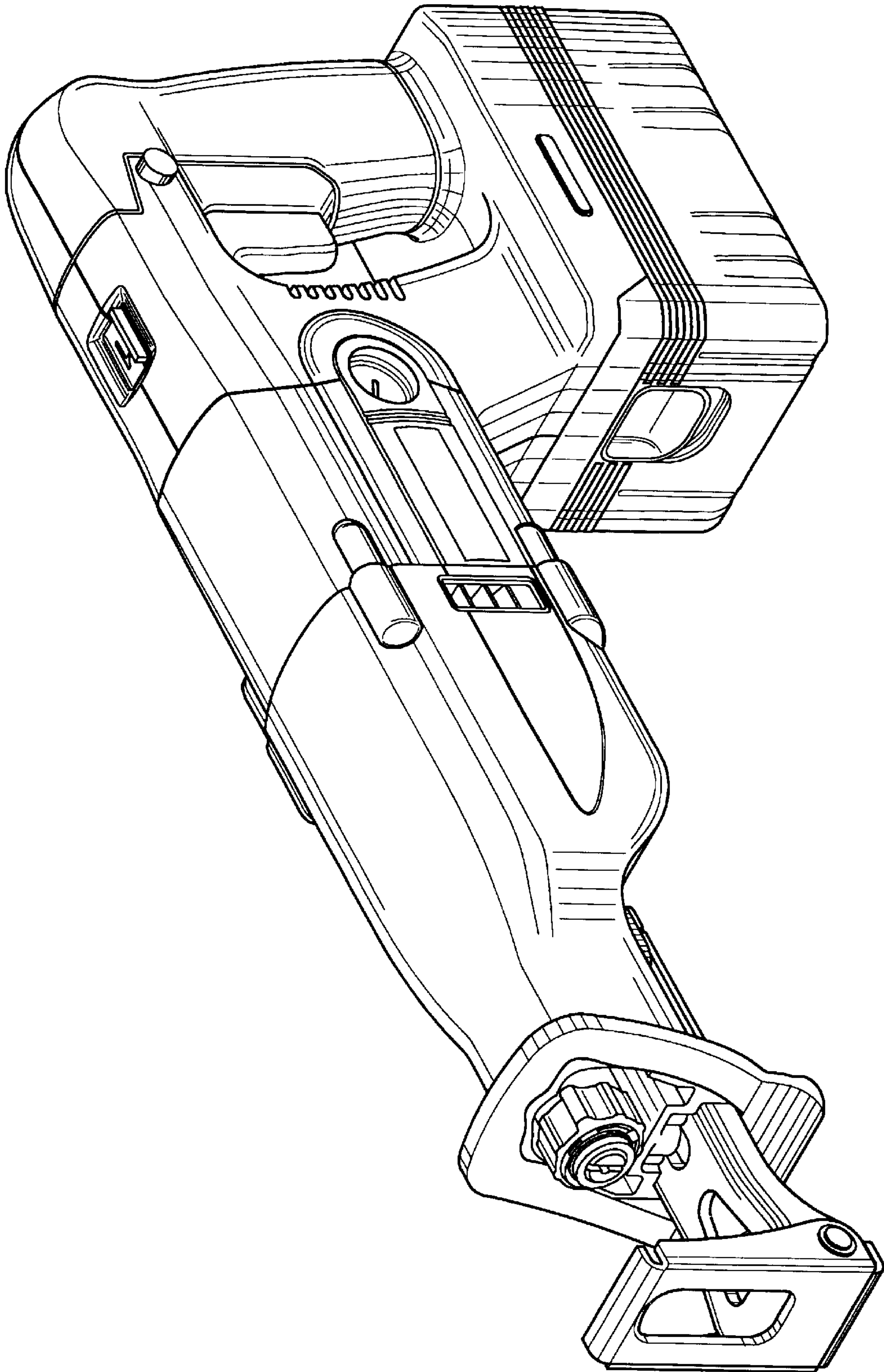


FIG. 2

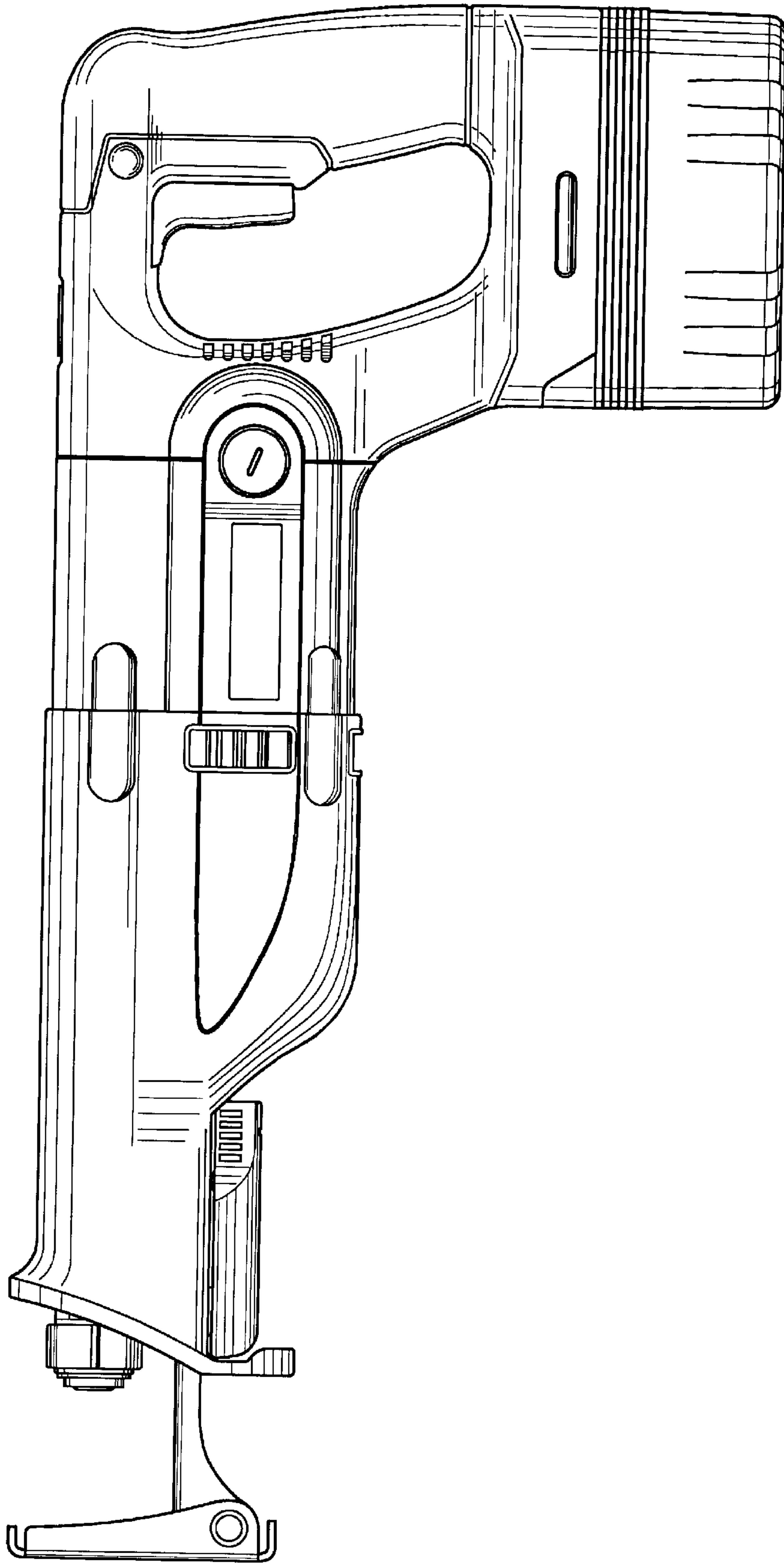


FIG. 3

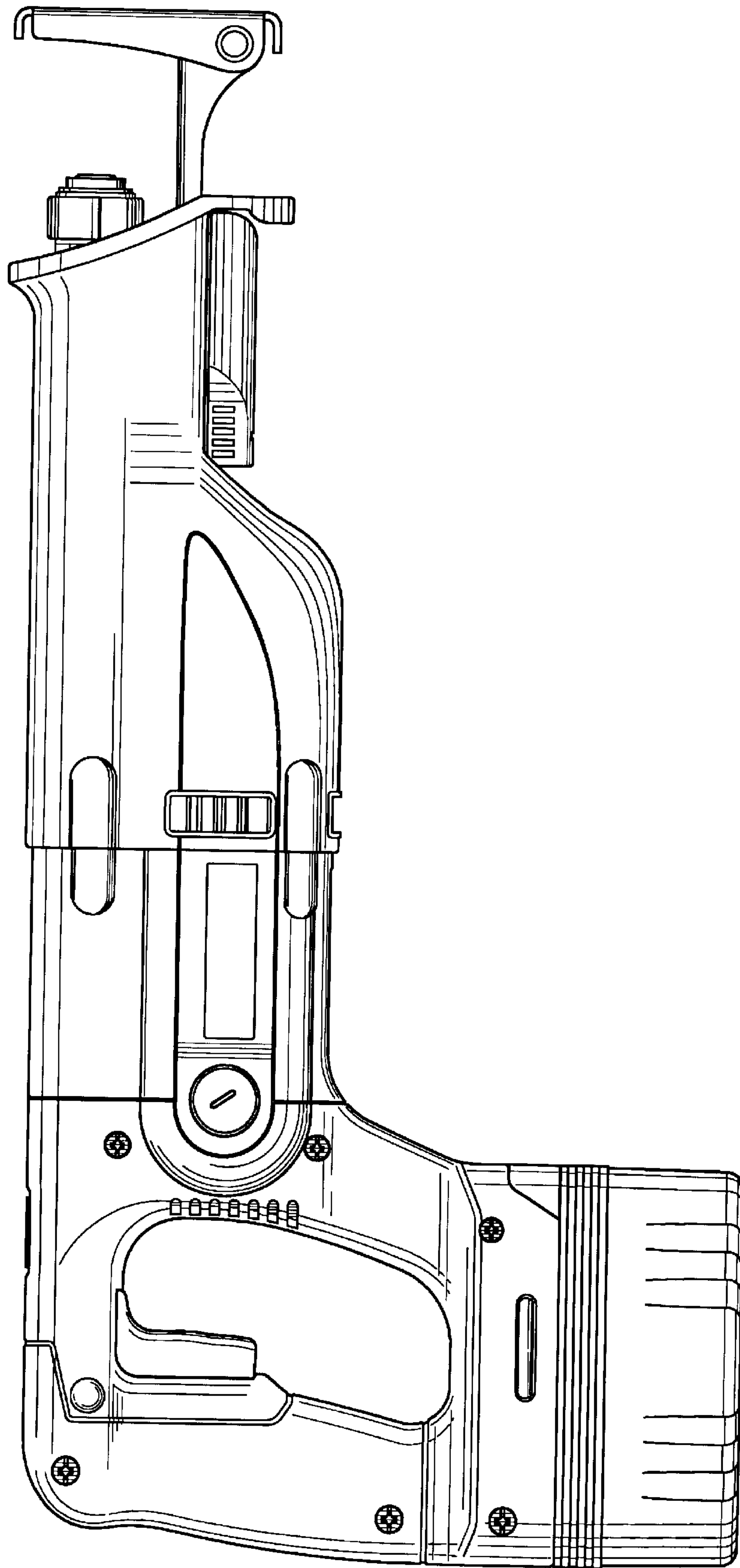


FIG. 4

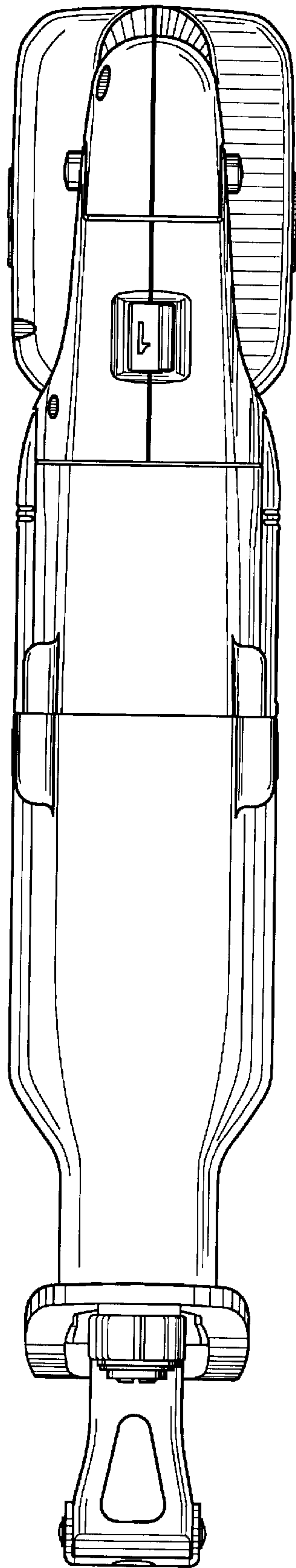


FIG. 5

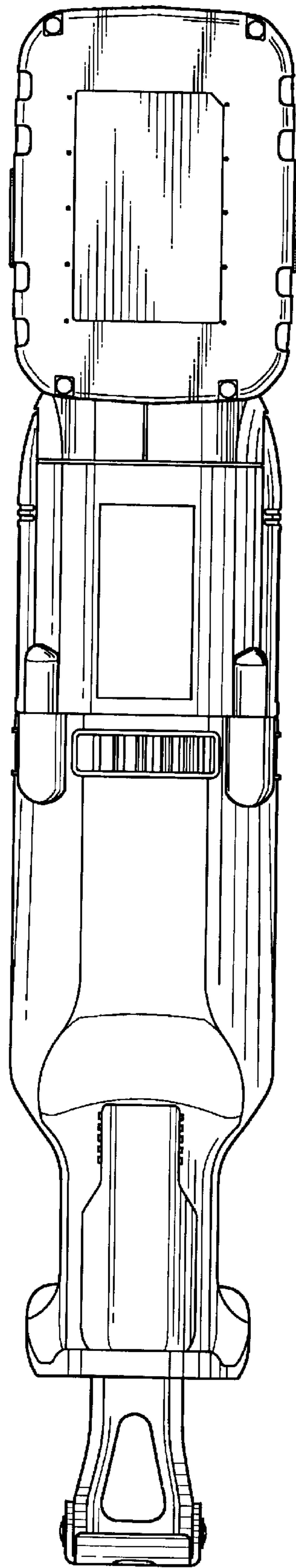


FIG. 6

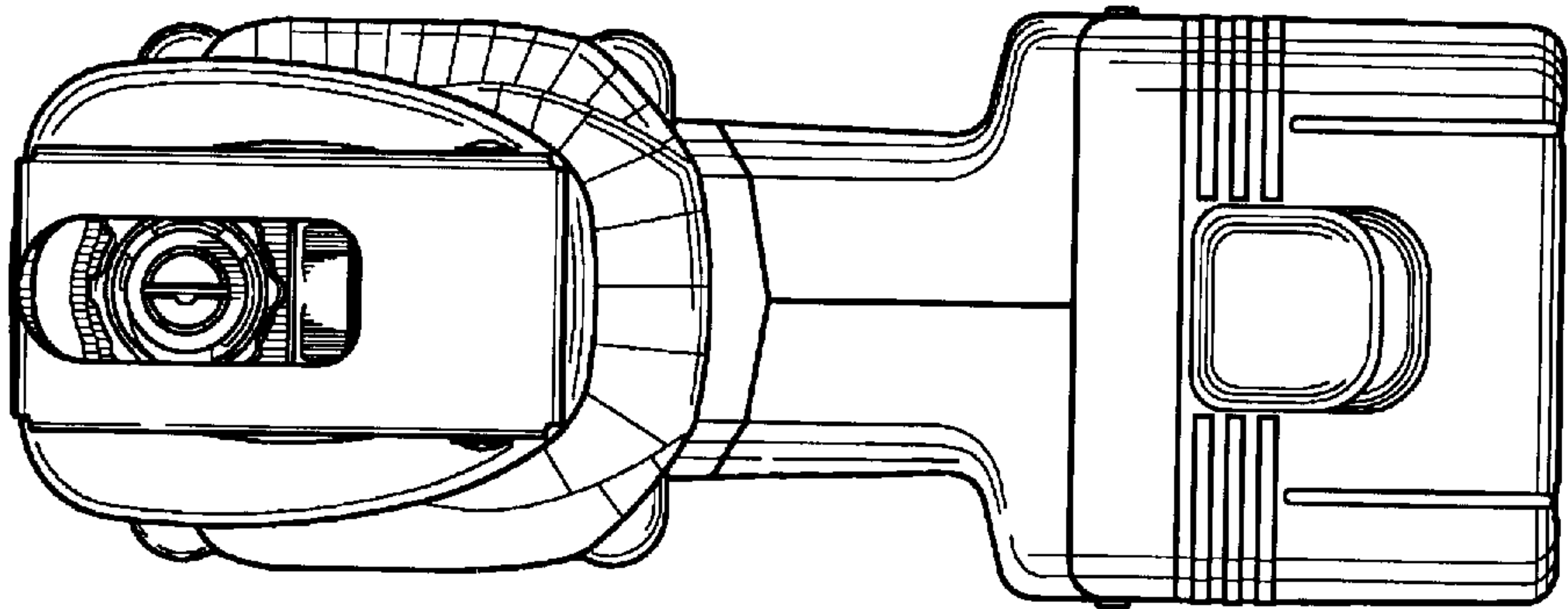


FIG. 7

