



US00D473767S

(12) **United States Design Patent**  
**Olson**

(10) **Patent No.:** **US D473,767 S**

(45) **Date of Patent:** **\*\* Apr. 29, 2003**

(54) **DETACHABLE OPEN-ENDED WRENCH HEAD**

(76) **Inventor:** **John Olson**, 155 Essex St., Weymouth, MA (US) 02188

(\*\*) **Term:** **14 Years**

(21) **Appl. No.:** **29/162,356**

(22) **Filed:** **Jun. 17, 2002**

(51) **LOC (7) Cl.** ..... **08-05**

(52) **U.S. Cl.** ..... **D8/28**

(58) **Field of Search** ..... D8/17, 21-29;  
81/119, 124.3, 124.5, 177.1, 177.2, 177.6,  
177.7, DIG. 8

(56) **References Cited**

**U.S. PATENT DOCUMENTS**

120,304 A	10/1871	McBride	
820,185 A	5/1906	Edmands	
1,415,826 A	5/1922	Finkhousen	
1,456,290 A	5/1923	Tell	
1,535,281 A	4/1925	Zilliox	
1,626,906 A	5/1927	Zilliox	
1,792,850 A	2/1931	Looft	
2,608,894 A	9/1952	Miller, Jr. et al.	
2,680,985 A	6/1954	Fish	
4,688,454 A	8/1987	Scull	
4,774,862 A	10/1988	Scull	
D325,864 S	* 5/1992	Diego	..... D8/28

5,331,869 A	*	7/1994	Webb	.....	81/177.7
5,582,083 A		12/1996	Baker		
6,112,625 A		9/2000	Turtle		
6,186,033 B1	*	2/2001	Faro, Sr.	.....	81/177.6
6,202,515 B1		3/2001	Denton		
D442,041 S	*	5/2001	Chen	.....	D8/28
6,408,723 B1	*	6/2002	Zurbuchen	.....	81/119

\* cited by examiner

*Primary Examiner*—Raphael Barkai

(74) *Attorney, Agent, or Firm*—John P. McGonagle

(57) **CLAIM**

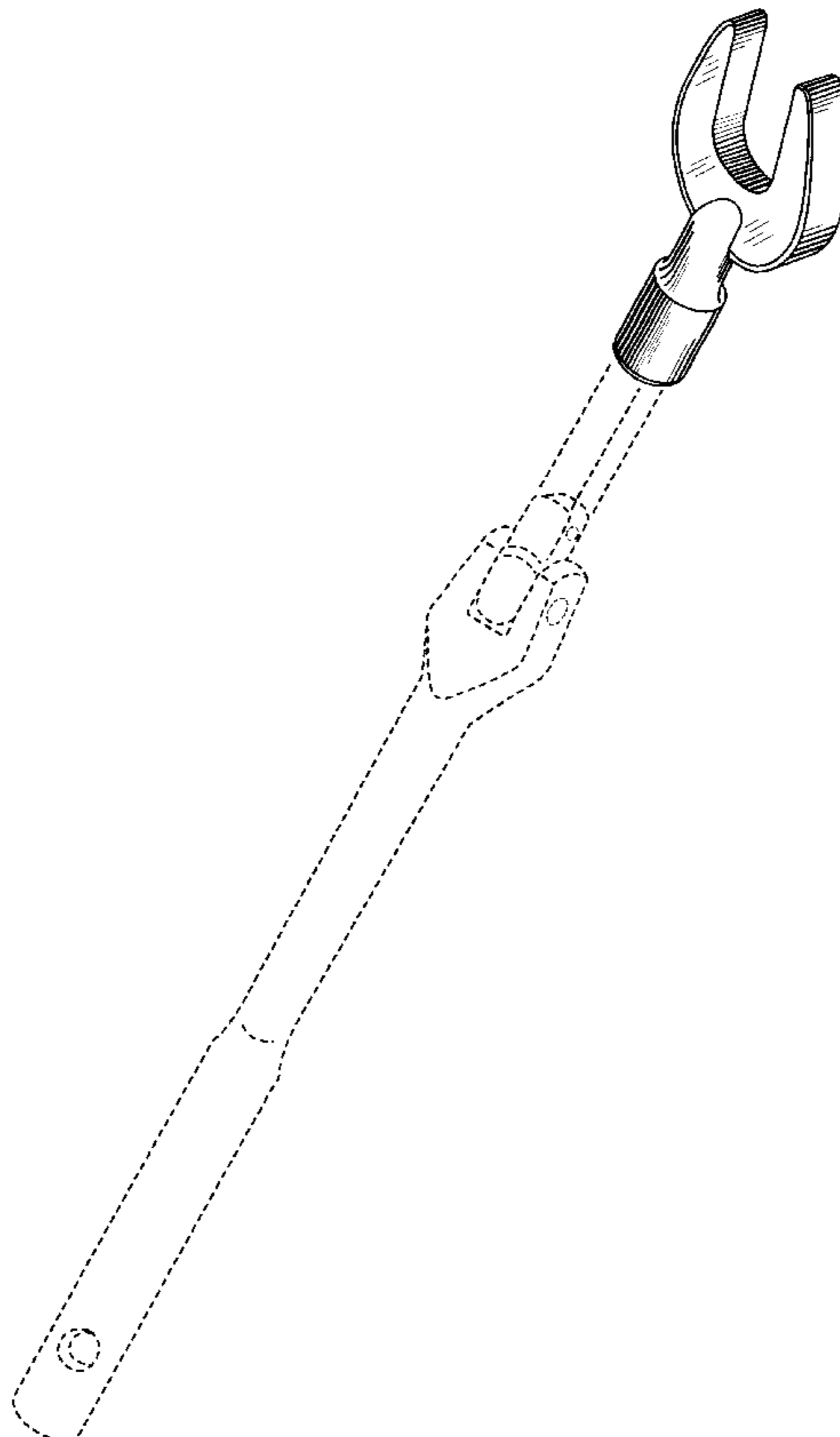
The ornamental design for a detachable open-ended wrench head, as shown and described.

**DESCRIPTION**

FIG. 1 is a perspective view of a detachable open-ended wrench head embodying my new design;  
FIG. 2 is a front view thereof;  
FIG. 3 is a rear view thereof;  
FIG. 4 is a side elevational view thereof, the opposite side being a mirror image thereof;  
FIG. 5 is a top view thereof; and,  
FIG. 6 is a bottom view thereof.

The broken line showing of a handle in FIG. 1 is for illustrative purposes only and forms no part of the claimed design.

**1 Claim, 3 Drawing Sheets**



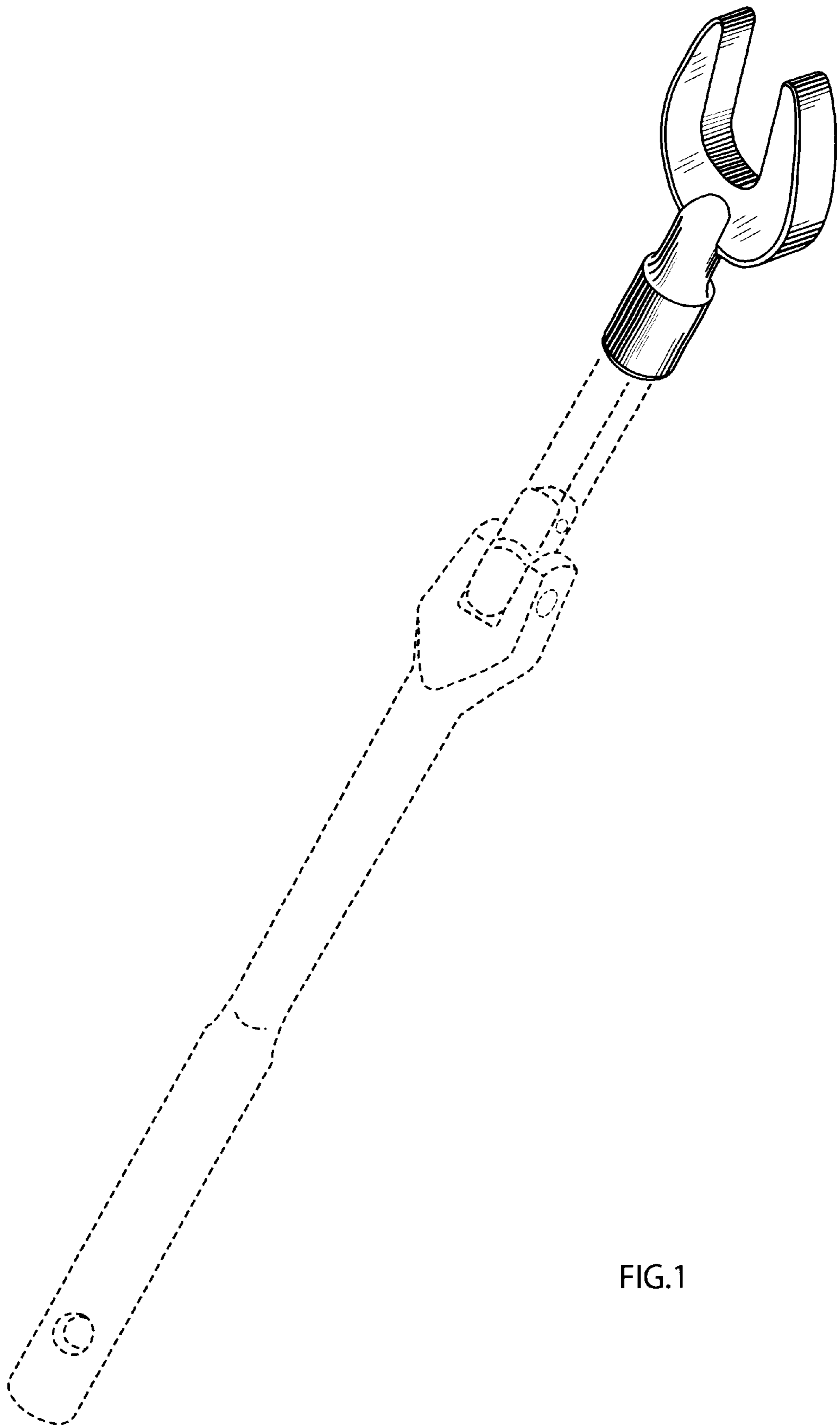


FIG.1

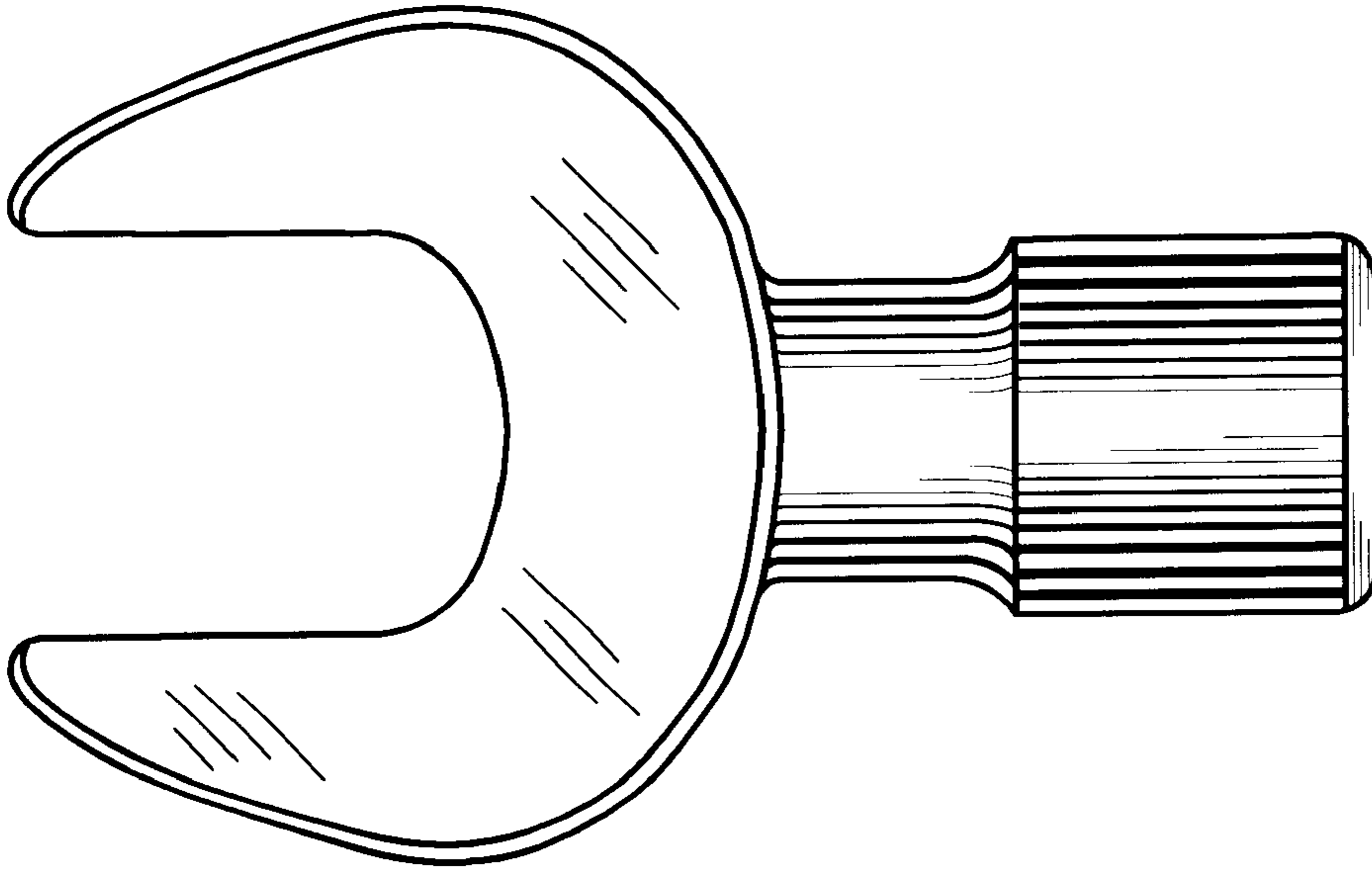


FIG.3

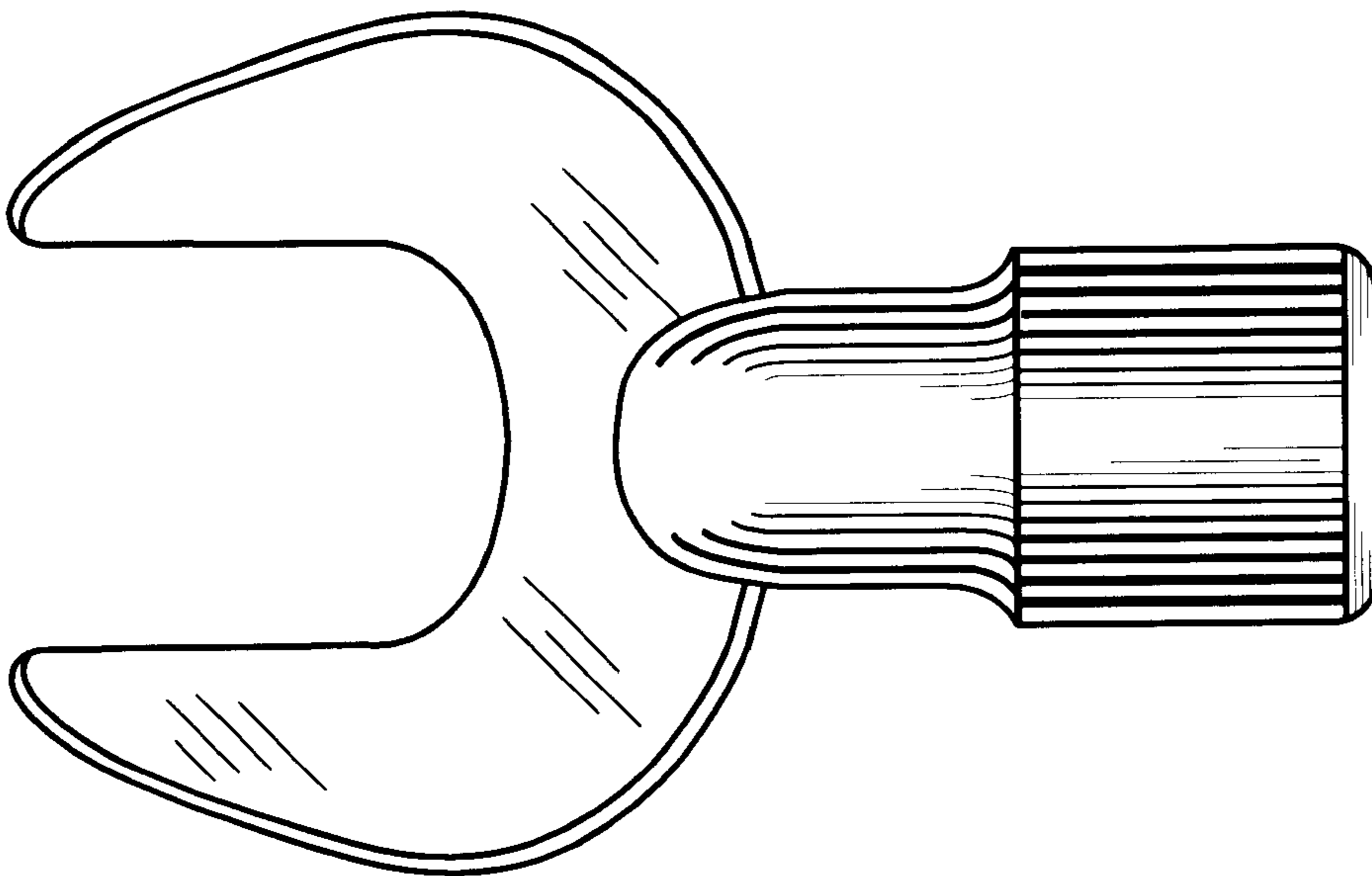


FIG.2

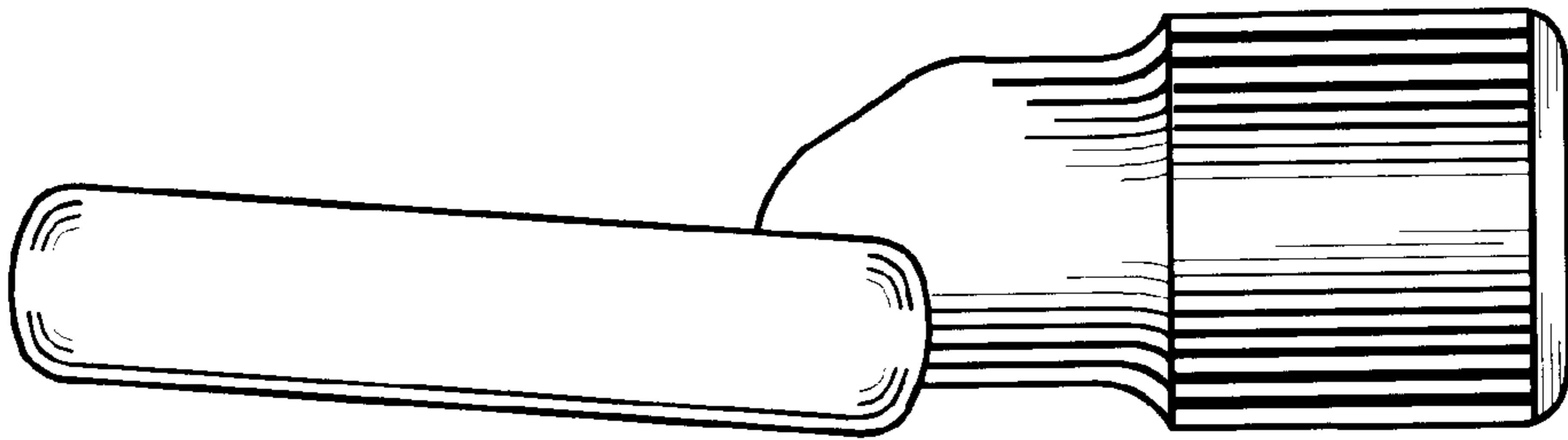


FIG. 4

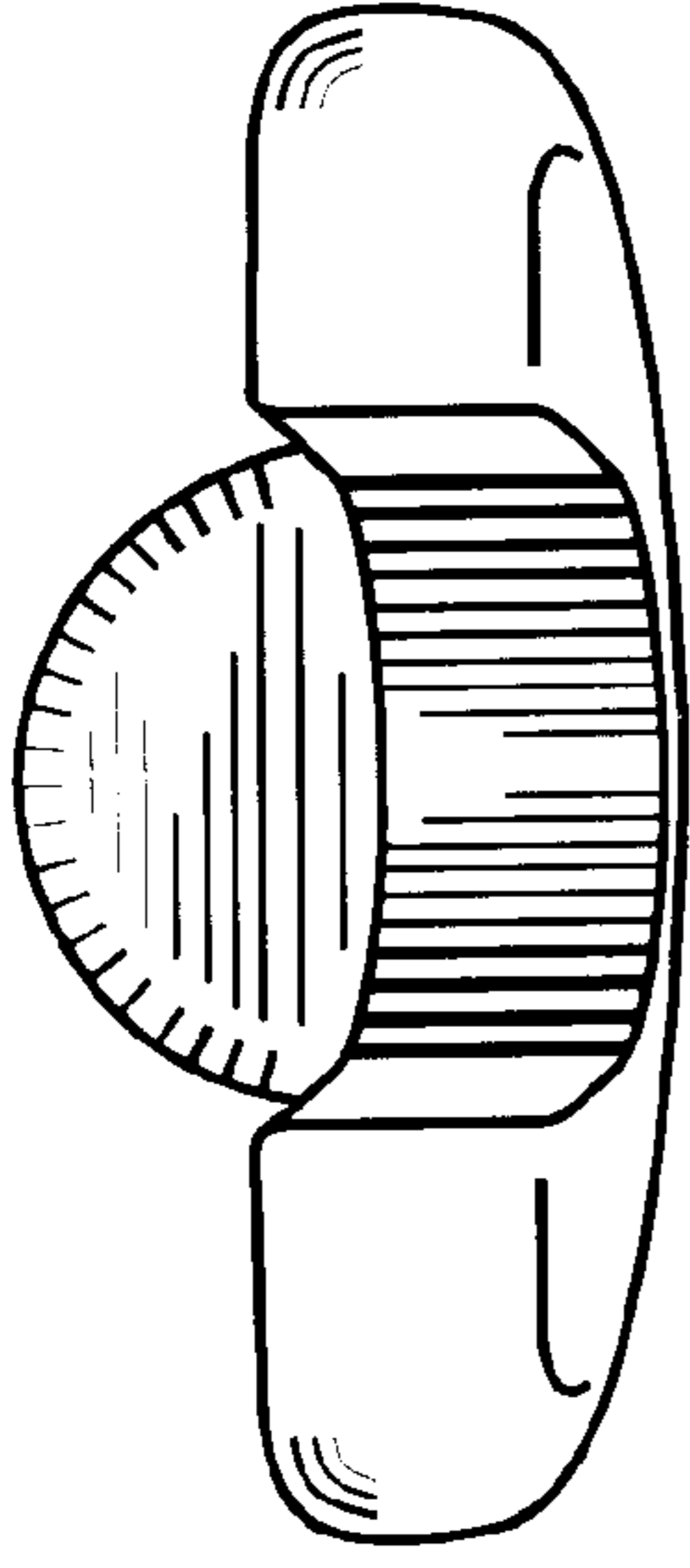


FIG. 5

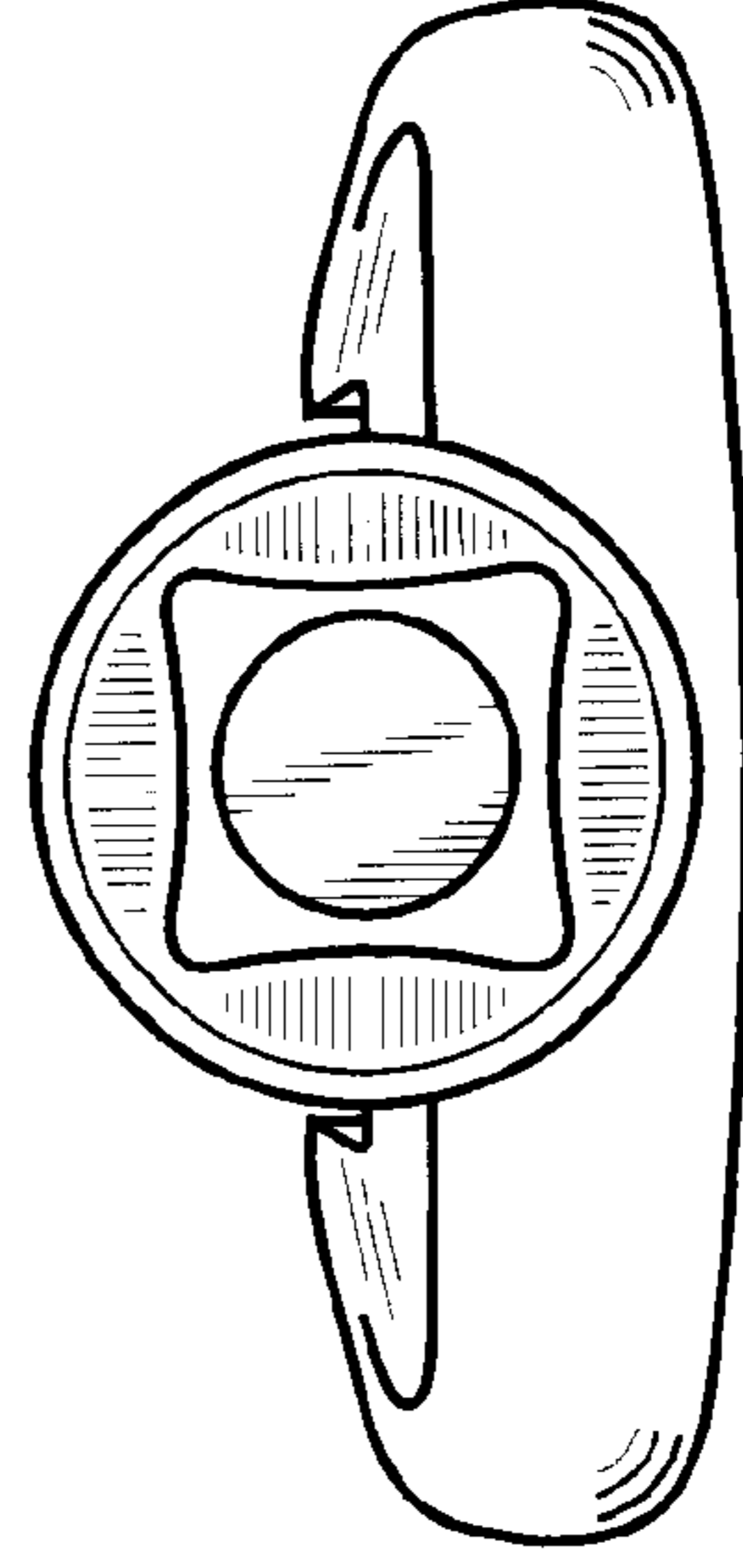


FIG. 6