



US00D473761S

(12) **United States Design Patent**  
**Wilk et al.**

(10) **Patent No.:** **US D473,761 S**  
(45) **Date of Patent:** **\*\* Apr. 29, 2003**

(54) **COMBINED FOOD PRESERVATION  
CANISTER AND FILTER**

(75) Inventors: **Robert Wilk**, Sierra Village, CA (US);  
**Ross Heil**, Walnut Creek, CA (US)

(73) Assignee: **Tilia International, Inc.**, San  
Francisco, CA (US)

(\*\*) Term: **14 Years**

(21) Appl. No.: **29/159,434**

(22) Filed: **Apr. 19, 2002**

(51) **LOC (7) Cl.** ..... **07-01**

(52) **U.S. Cl.** ..... **D7/629**

(58) **Field of Search** ..... D7/601, 602, 629,  
D7/538-542; D9/424-432; 220/281, 662,  
675, 780-788, 792-799, 805, 254.3, 367.1,  
834, 840

(56) **References Cited**

**U.S. PATENT DOCUMENTS**

4,412,630 A	*	11/1983	Daenen	.....	220/792
5,363,978 A	*	11/1994	Molo	.....	220/254.3
D355,814 S	*	2/1995	VanValkenburg et al.	....	D7/629
D365,251 S	*	12/1995	Lo	.....	D7/629
D389,012 S	*	1/1998	Miller	.....	D7/391

\* cited by examiner

*Primary Examiner*—Terry A. Wallace

(74) *Attorney, Agent, or Firm*—Fliesler Dubb Meyer &  
Lovejoy LLP

(57) **CLAIM**

The ornamental design for a combined food preservation  
canister and filter, as shown and described.

**DESCRIPTION**

FIG. 1 is a top perspective view of a combined food  
preservation canister and filter showing our new design;

FIG. 2 is a top perspective view of the filter of the combined  
food preservation canister;

FIG. 3 is a top view of the filter of the combined food  
preservation canister;

FIG. 4 is a front view of the filter of the combined food  
preservation canister;

FIG. 5 is a back view of the filter of the combined food  
preservation canister;

FIG. 6 is a bottom view of the filter of the combined food  
preservation canister;

FIG. 7 is a right side view of the filter of the combined food  
preservation canister;

FIG. 8 is a left side view of the filter of the combined food  
preservation canister;

FIG. 9 is a top perspective view of the lid of the combined  
food preservation canister;

FIG. 10 is a top view of the lid of the combined food  
preservation canister;

FIG. 11 is a front view of the lid of the combined food  
preservation canister;

FIG. 12 is a bottom view of the lid of the combined food  
preservation canister;

FIG. 13 is a top perspective view of the base of the combined  
food preservation canister;

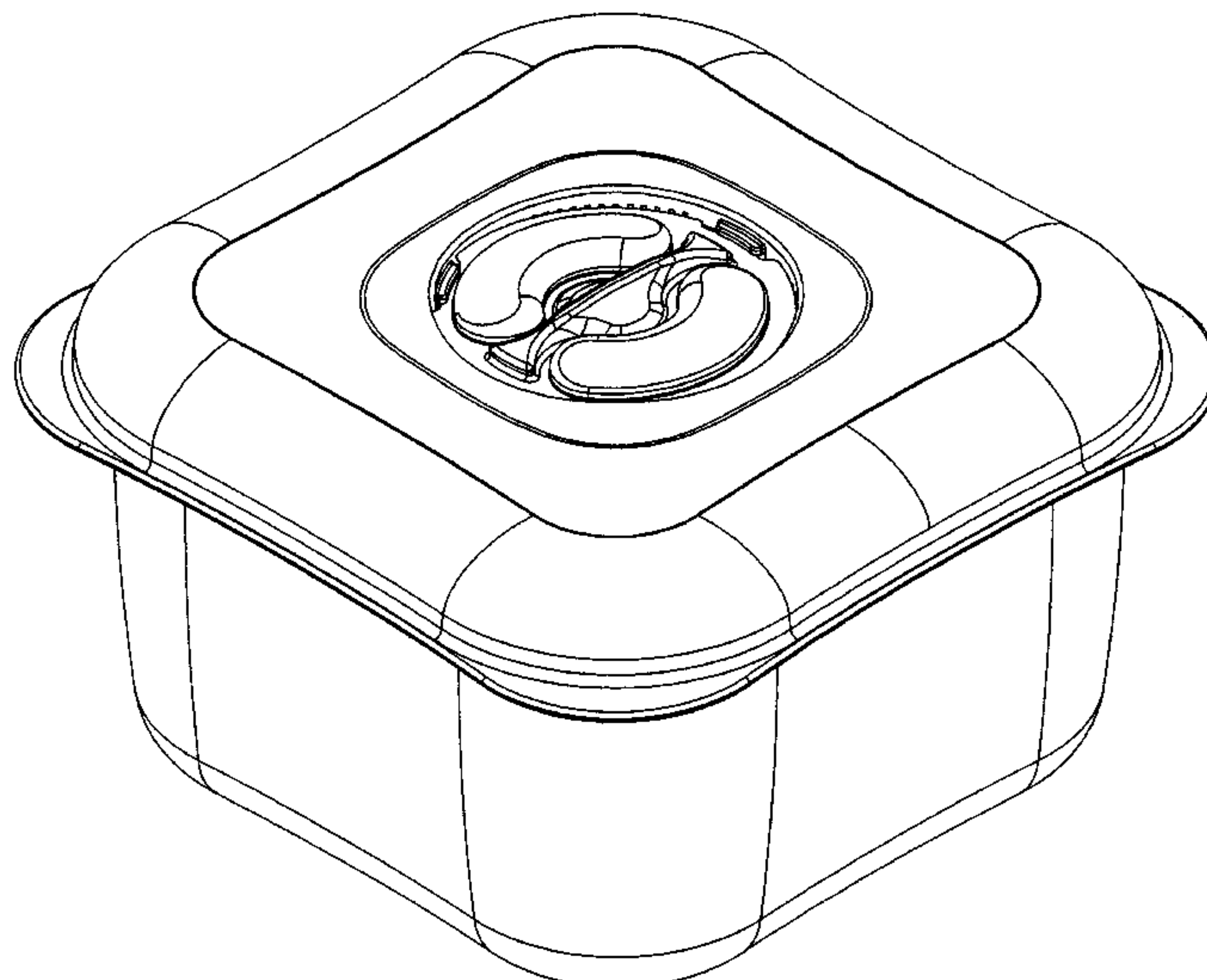
FIG. 14 is a top view of the base of the combined food  
preservation canister;

FIG. 15 is a front view of the base of the combined food  
preservation canister; and,

FIG. 16 is a bottom view of the base of the combined food  
preservation canister.

The filter, lid and bottom portion are shown separately for  
clarity of illustration.

**1 Claim, 9 Drawing Sheets**



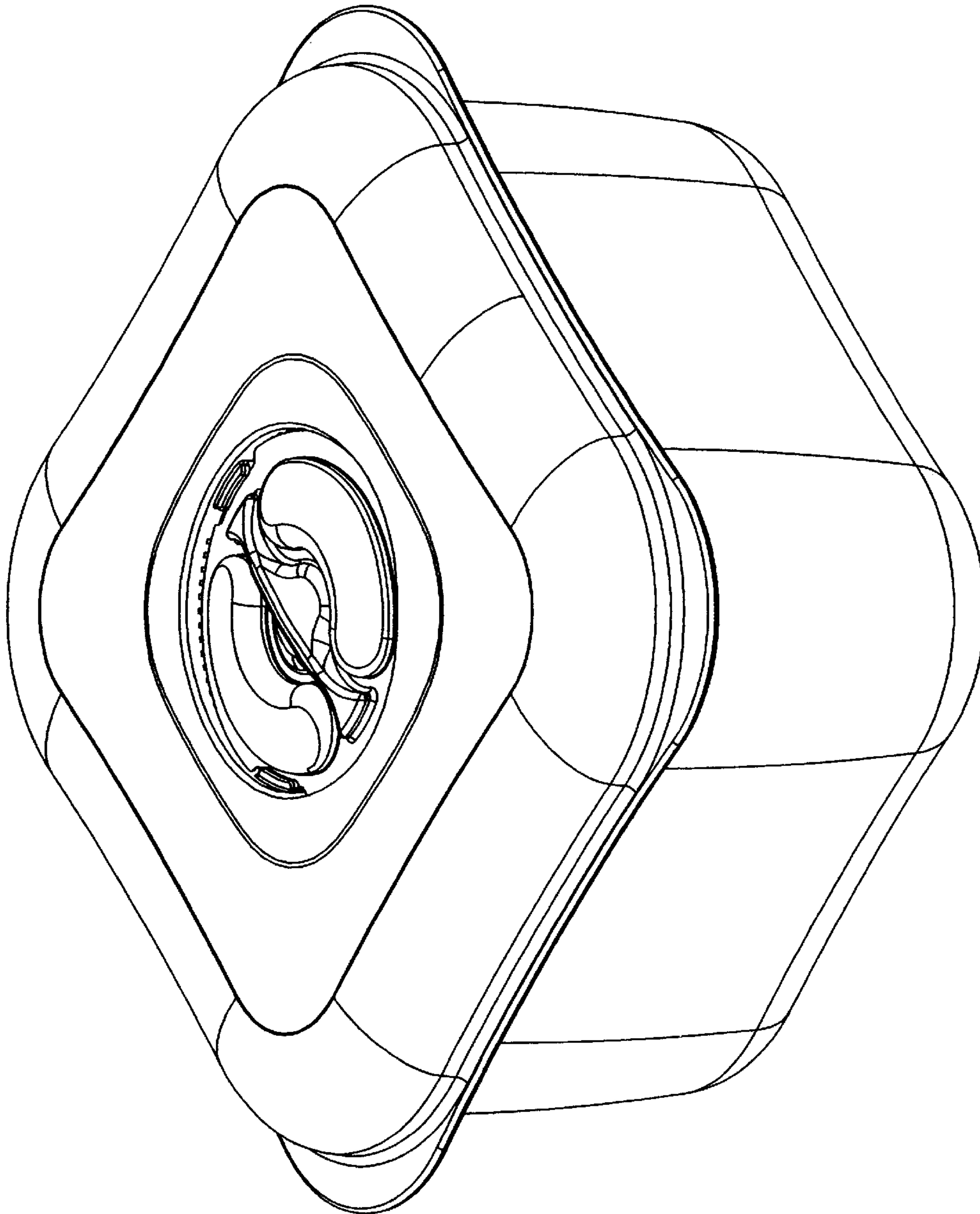


FIG. - 1

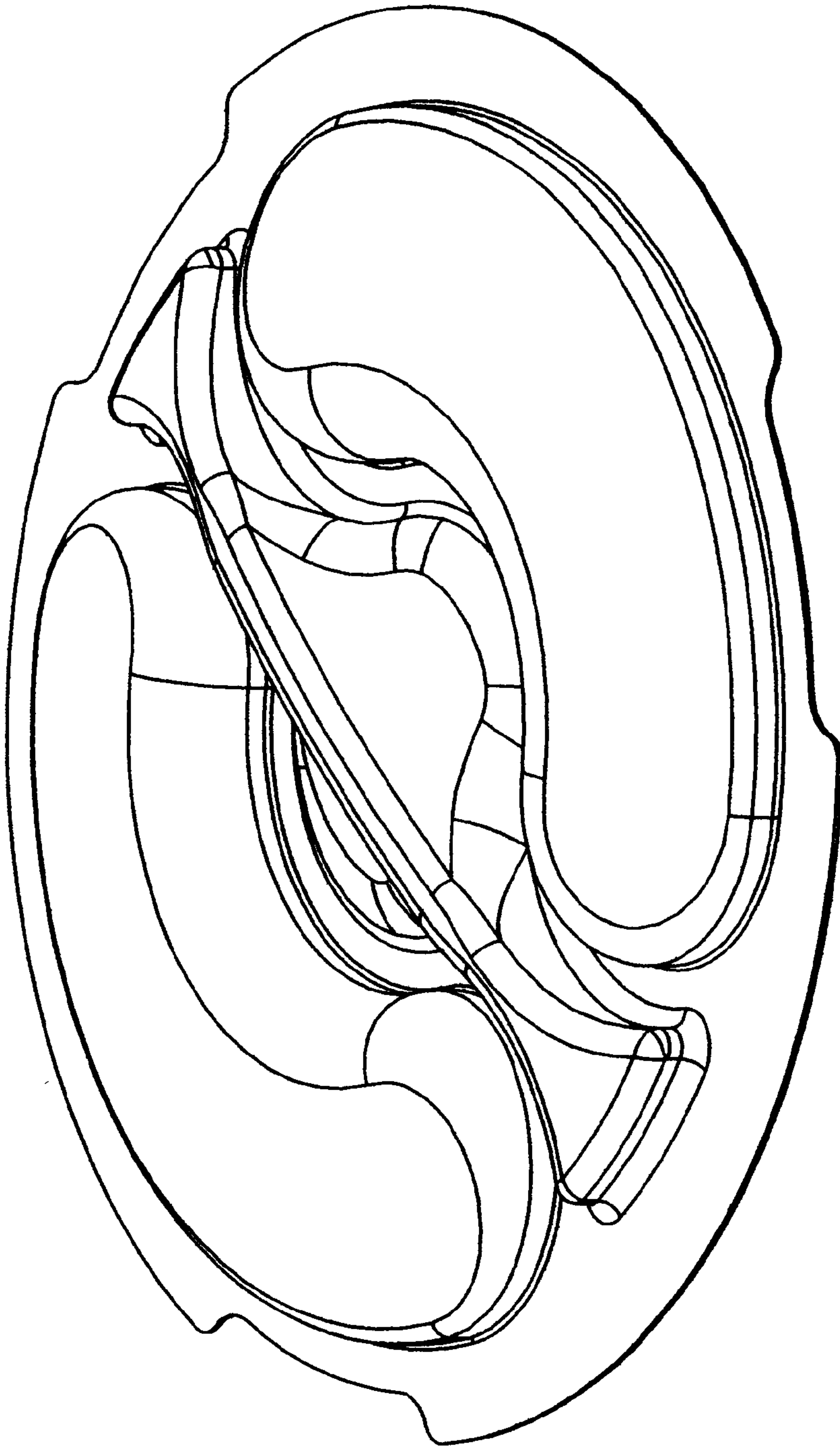


FIG. - 2

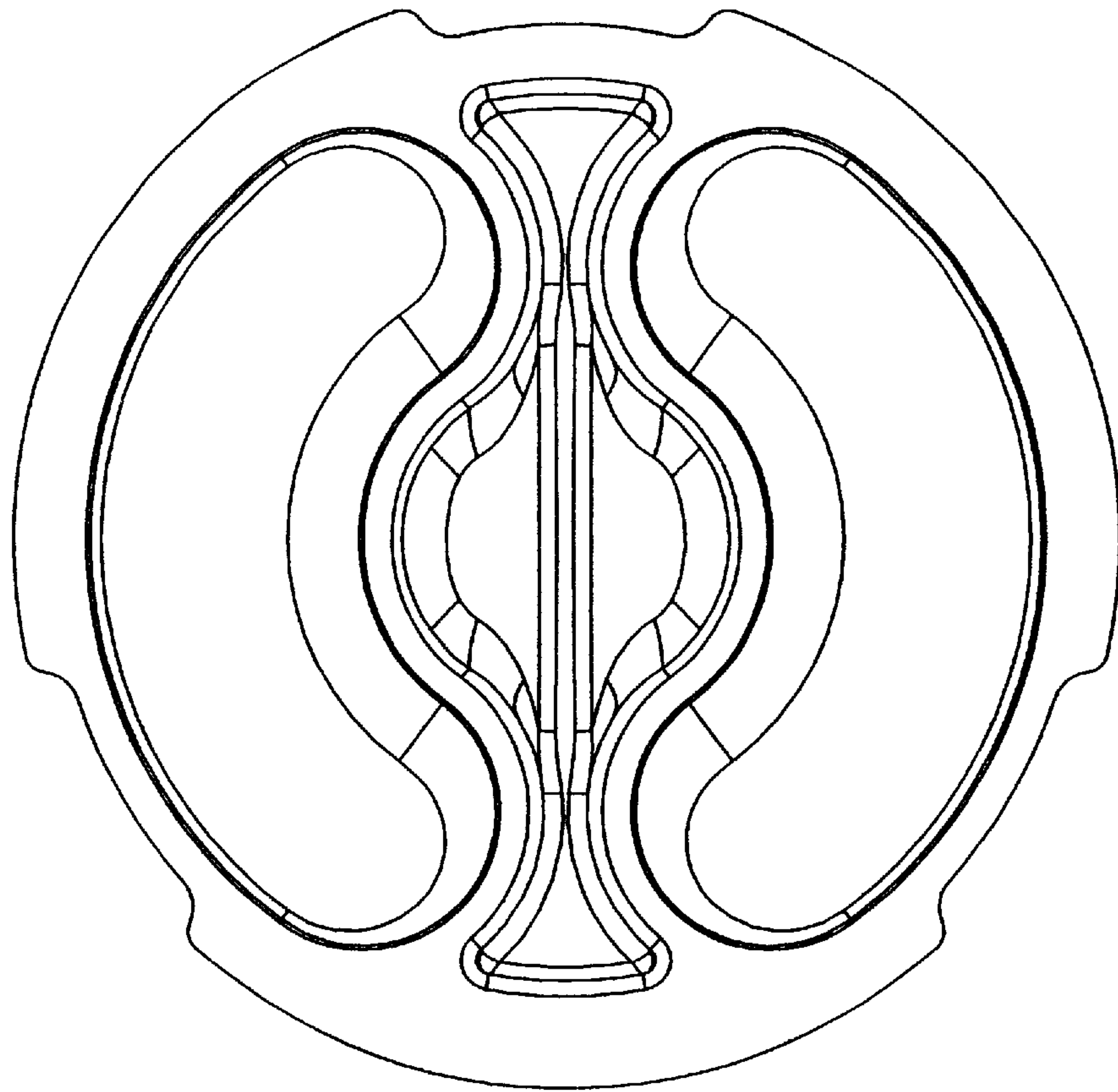


FIG. - 3



FIG. - 4



FIG. - 5



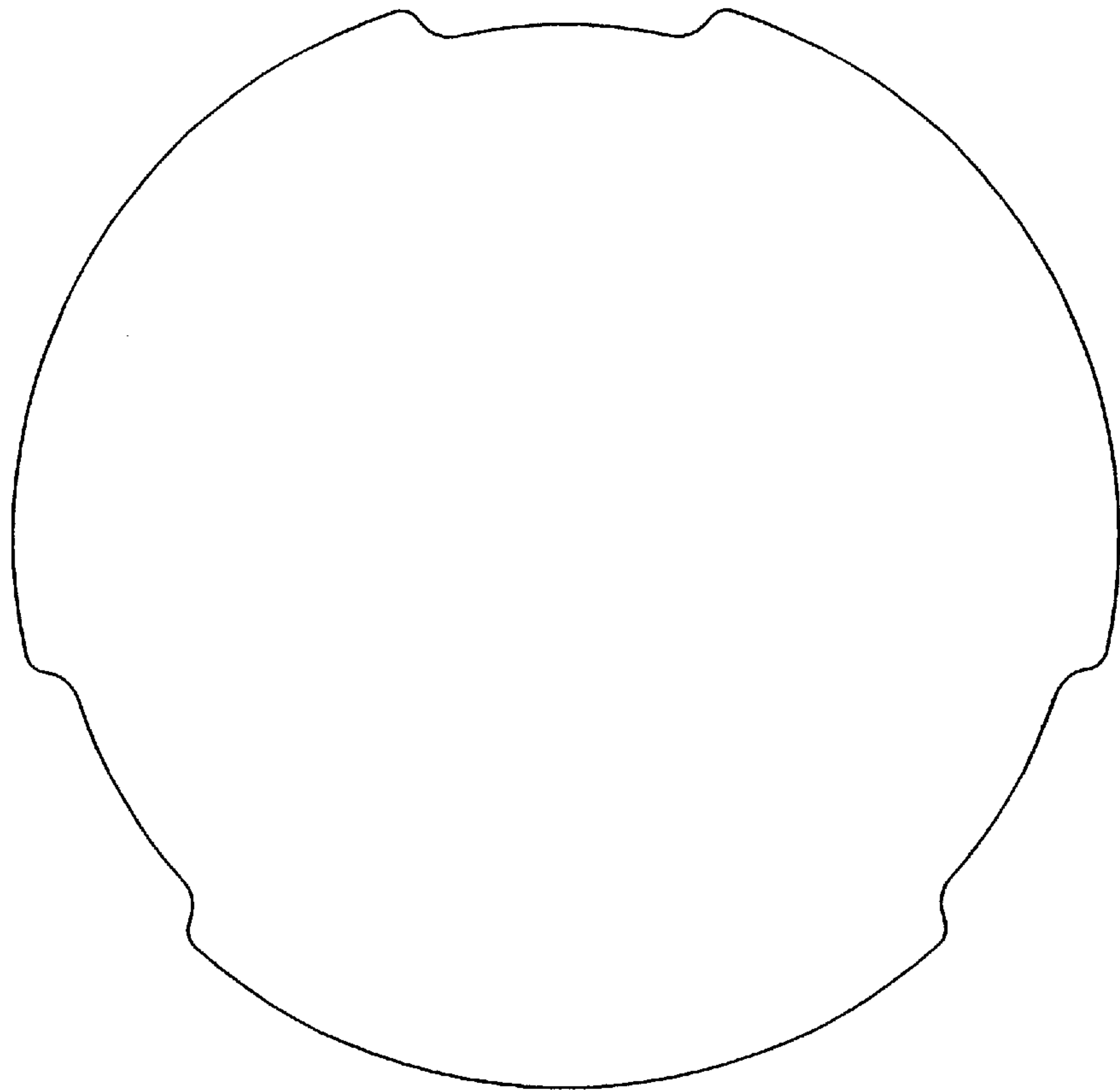


FIG. - 6

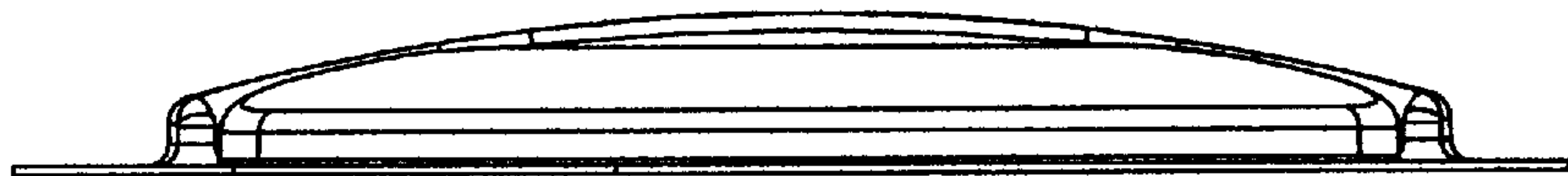


FIG. - 7

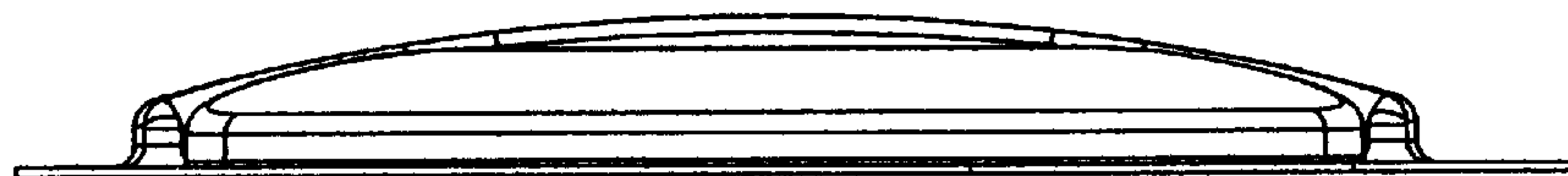


FIG. - 8

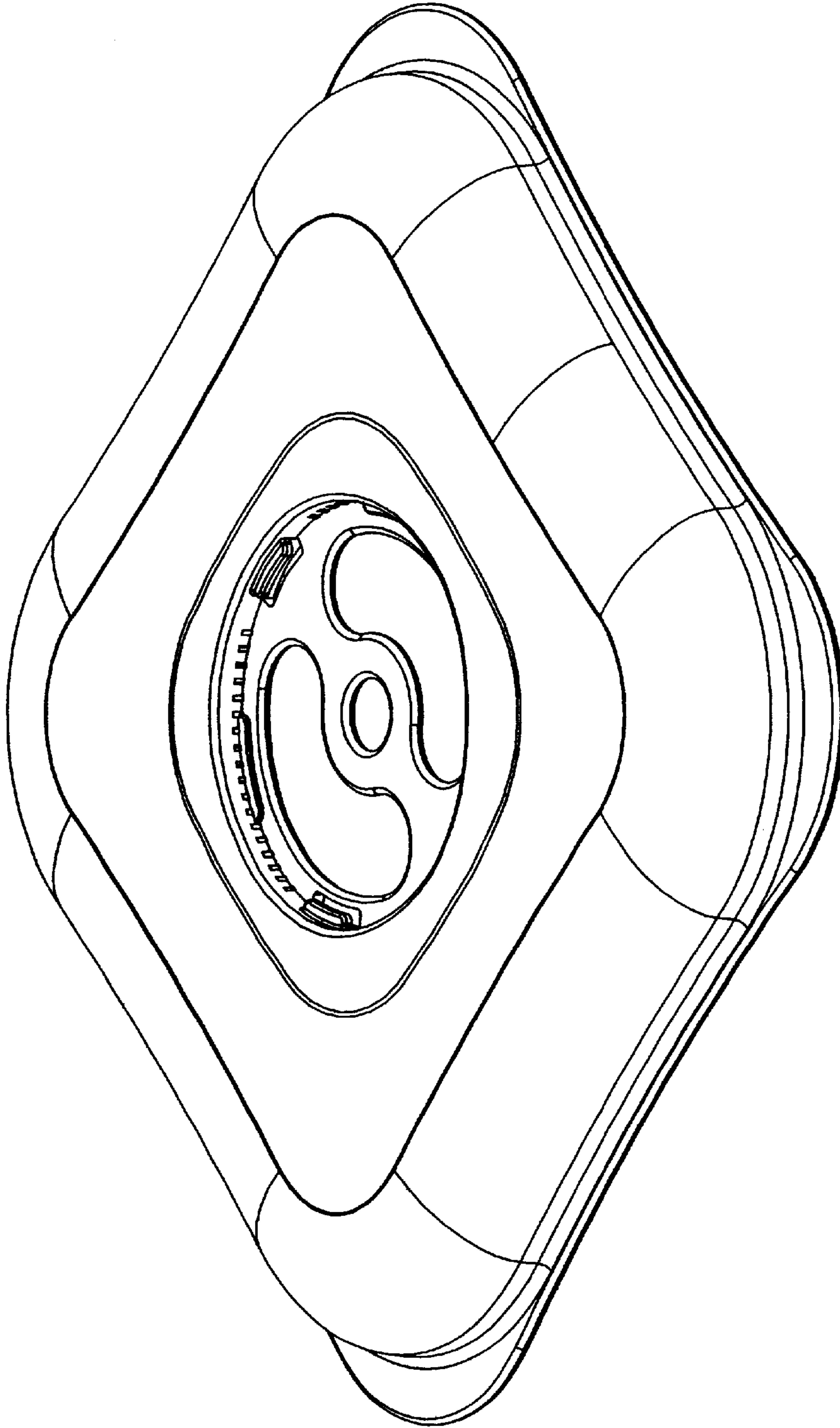


FIG. -9

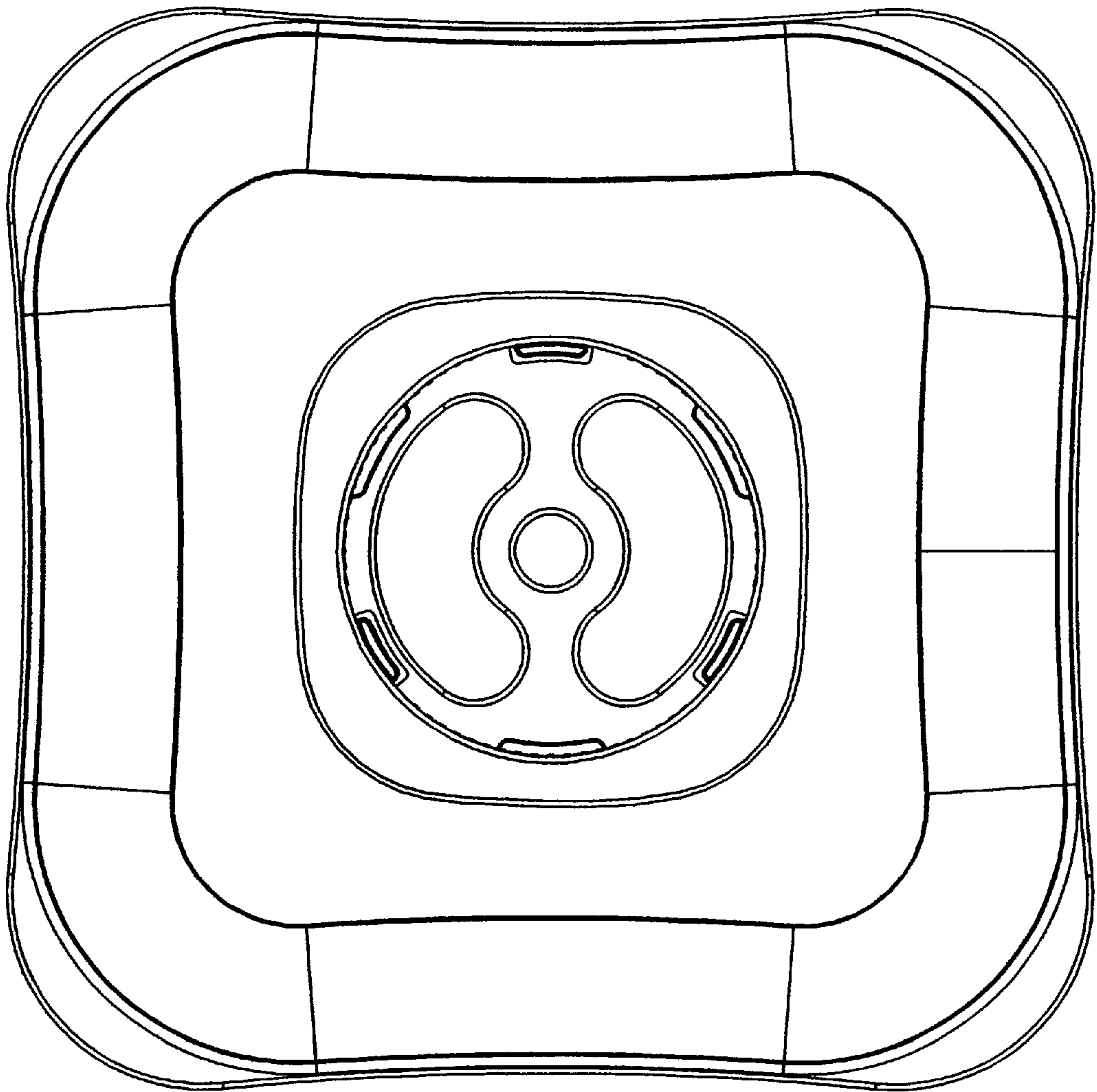


FIG. - 10

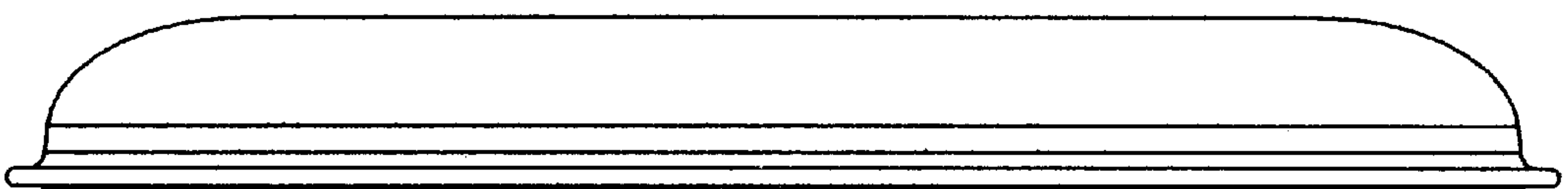


FIG. - 11

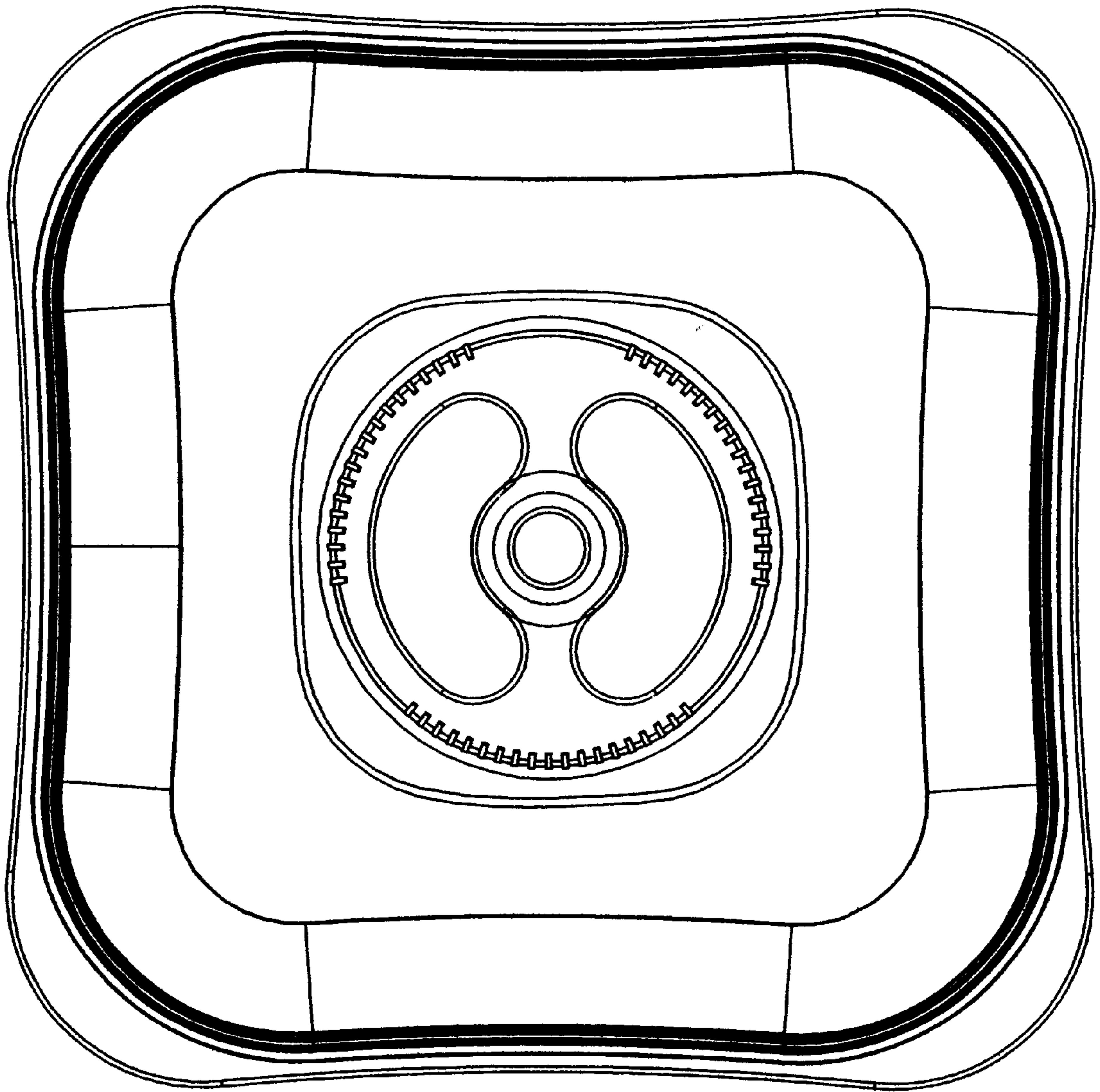


FIG. - 12



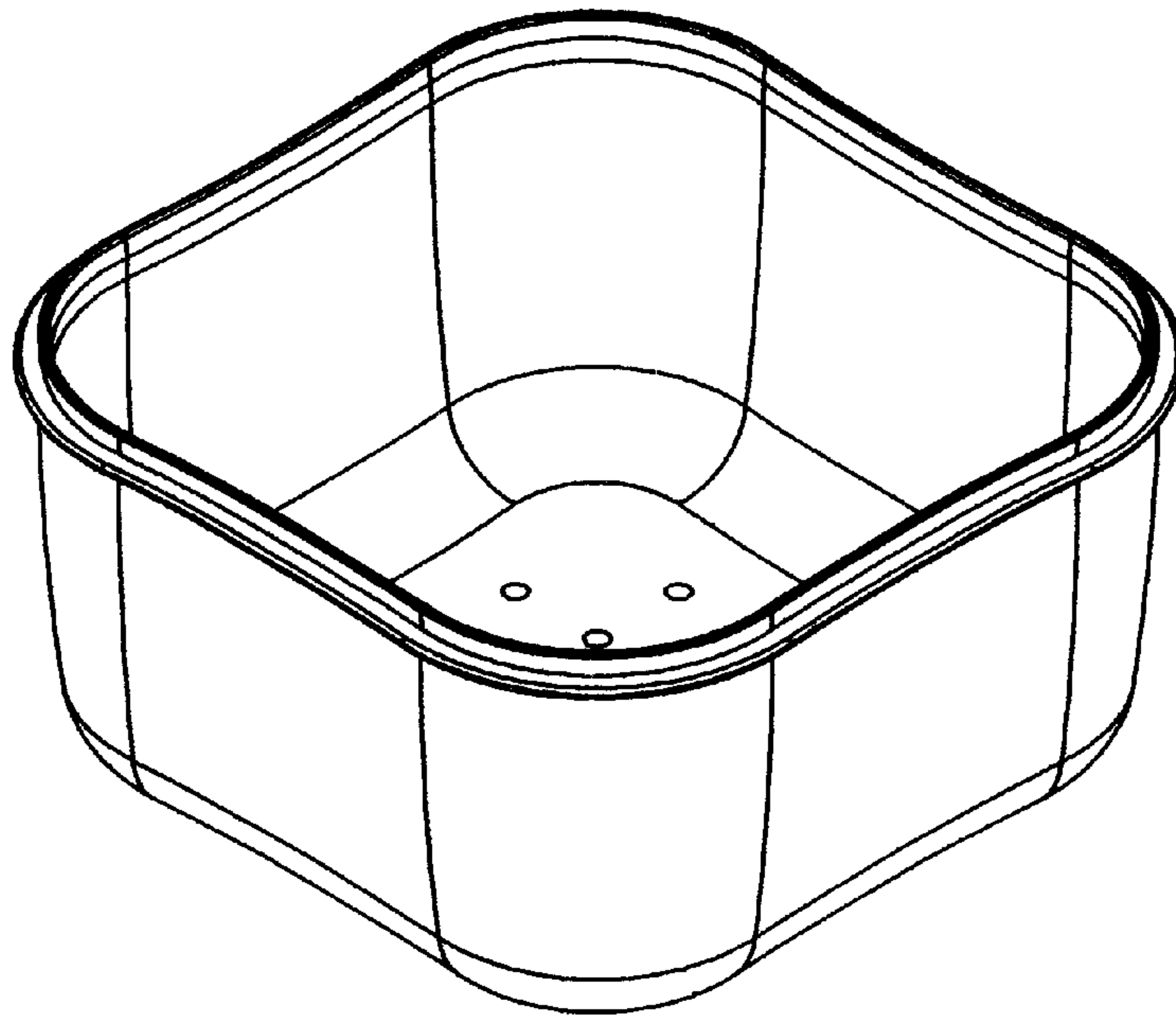


FIG. - 13

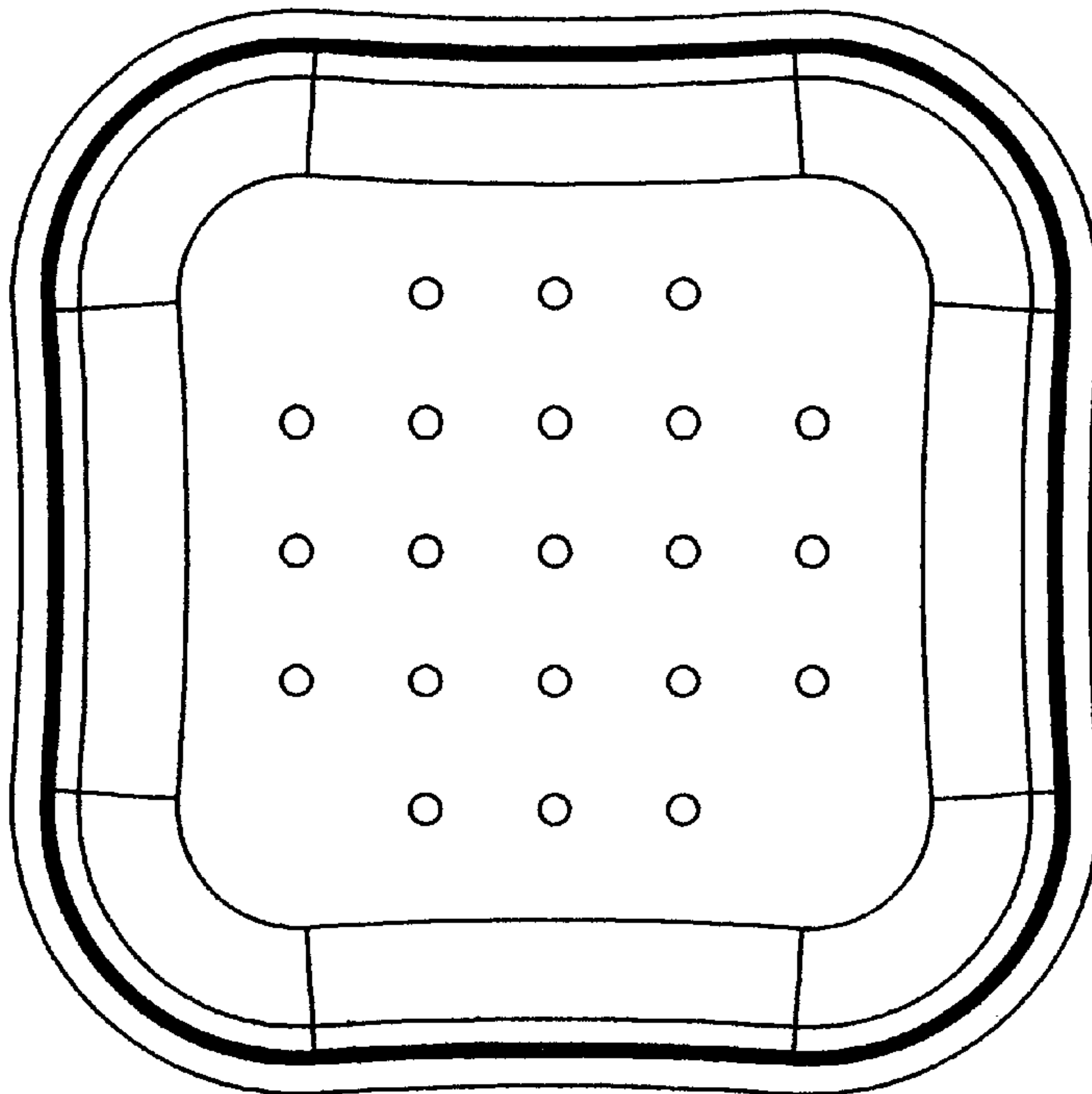


FIG. - 14

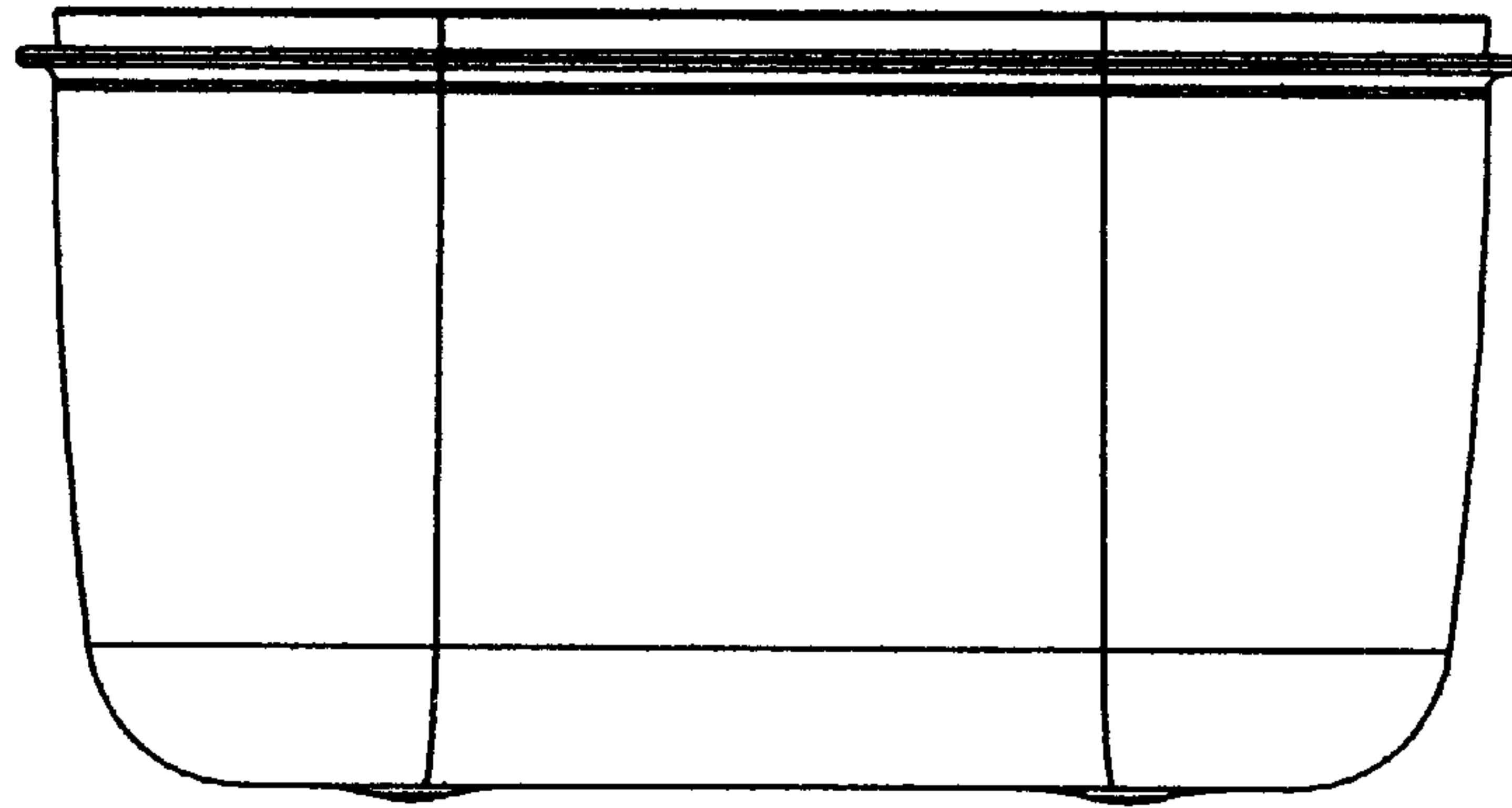


FIG. - 15

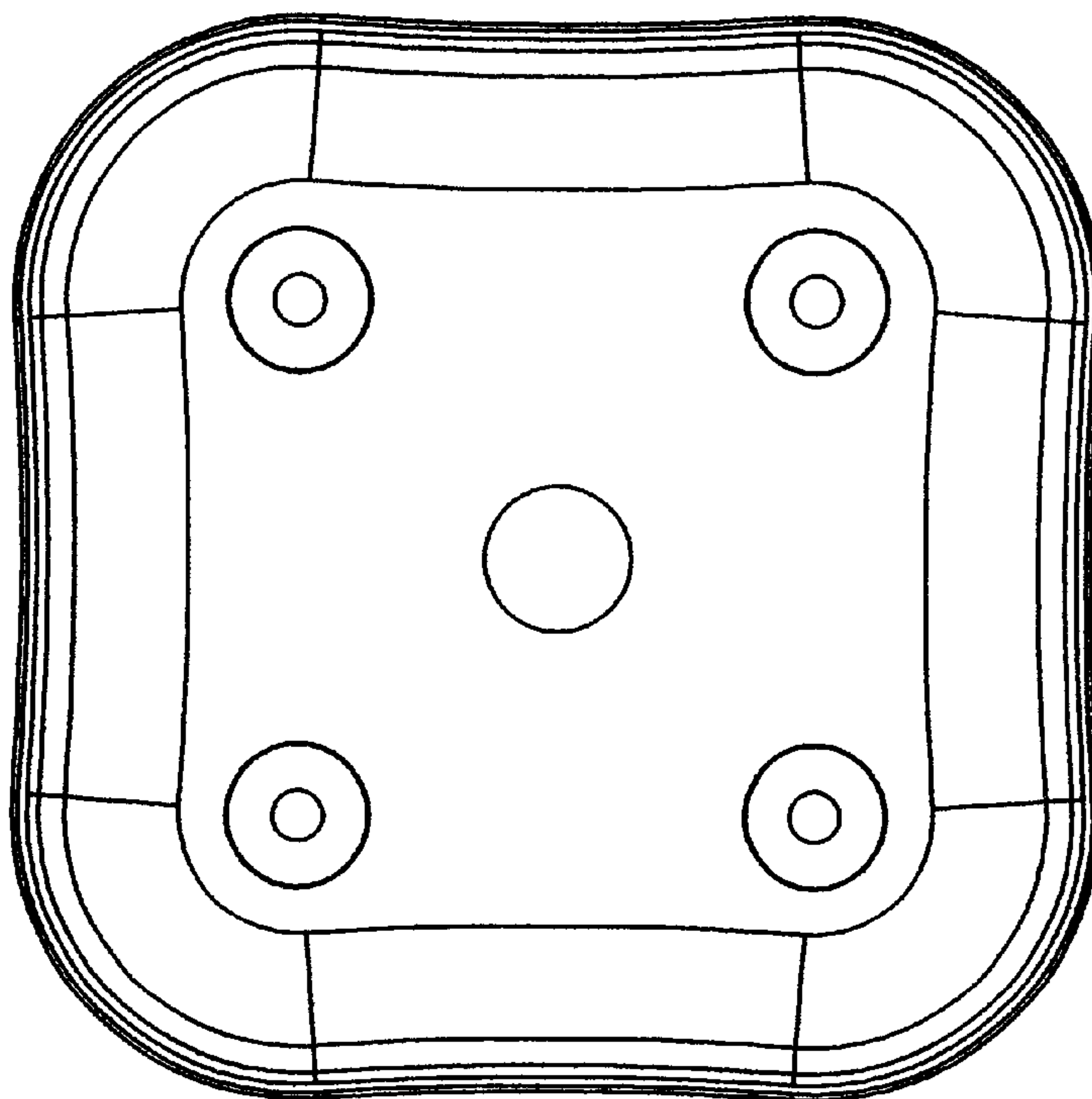


FIG. - 16