



US00D473759S

(12) **United States Design Patent**  
**Paul**

(10) **Patent No.:** **US D473,759 S**

(45) **Date of Patent:** **\*\* Apr. 29, 2003**

(54) **COUNTER-TOP ORGANIZER FOR POT LIDS AND UTENSILS**

5,450,967 A 9/1995 Mallory  
5,480,073 A 1/1996 LaManna  
6,012,593 A \* 1/2000 Knittel et al. .... 211/41.11

(76) **Inventor:** **Dale P. Paul**, 905B Clarke Road, Port Moody, British Columbia (CA), V3H-1L6

\* cited by examiner

*Primary Examiner*—Terry A. Wallace

(\*\*) **Term:** **14 Years**

(74) *Attorney, Agent, or Firm*—Donald R. Schoonover

(21) **Appl. No.:** **29/160,568**

(57) **CLAIM**

(22) **Filed:** **May 13, 2002**

The ornamental design for a counter-top organizer for pot lids and utensils, as shown and described.

(51) **LOC (7) Cl.** ..... **07-07**

**DESCRIPTION**

(52) **U.S. Cl.** ..... **D7/601; D7/638**

(58) **Field of Search** ..... D7/601, 637-641; D6/462, 468; D19/90, 91; 211/41.11, 41.2, 71.01, 70.7, 106, 181.1; 248/37.3, 37.6, 176.1, 176.2

FIG. 1 is a perspective view of a counter-top organizer for pot lids and utensils showing my new design; FIG. 2 is a front elevation view thereof; FIG. 3 is a rear elevation view thereof; FIG. 4 is a right side elevation view thereof, the left side being a mirror image; FIG. 5 is a top plan view thereof; and, FIG. 6 is a bottom plan view thereof.

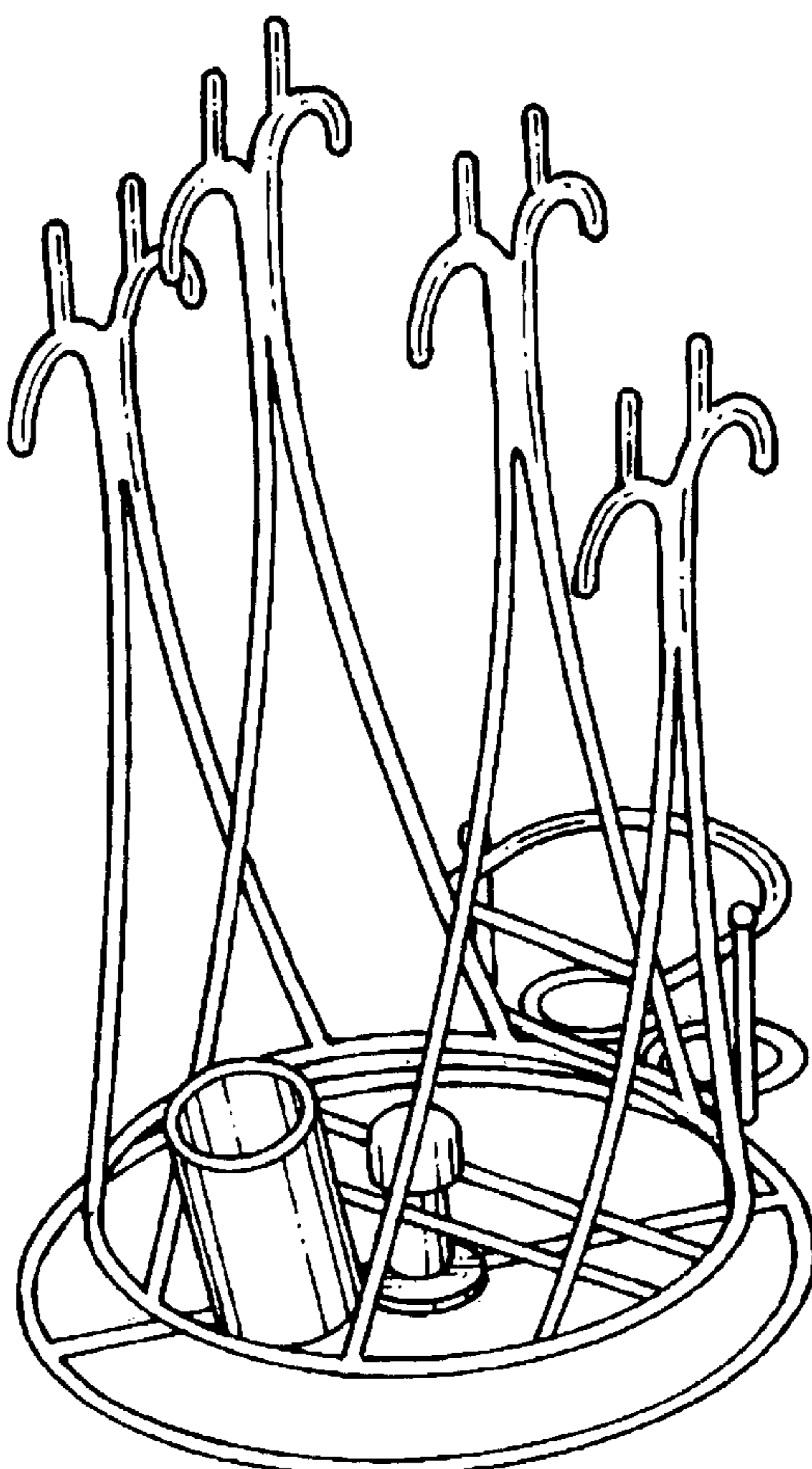
(56) **References Cited**

**U.S. PATENT DOCUMENTS**

- 1,842,118 A \* 1/1932 Resnik ..... 211/41.11
- 2,411,361 A \* 11/1946 Bongiovanni ..... 248/176.1 X
- 2,594,473 A \* 4/1952 McCoy ..... 248/37.3
- D181,365 S 11/1957 Miller
- 5,038,945 A \* 8/1991 Melkonian ..... 211/41.11

The broken line showing of environmental structure is for illustrative purposes only and forms no part of the claimed design.

**1 Claim, 4 Drawing Sheets**



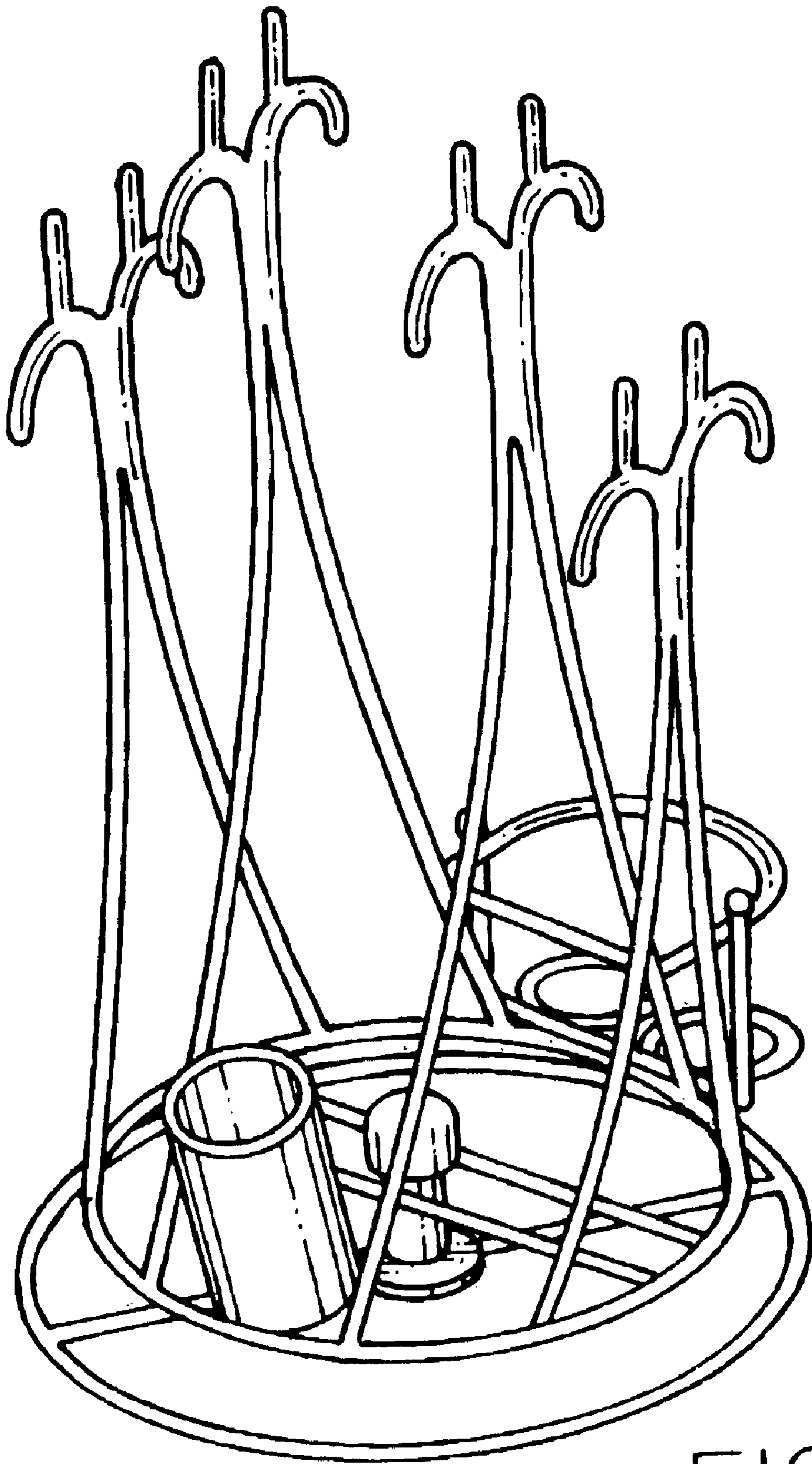


FIG. 1.

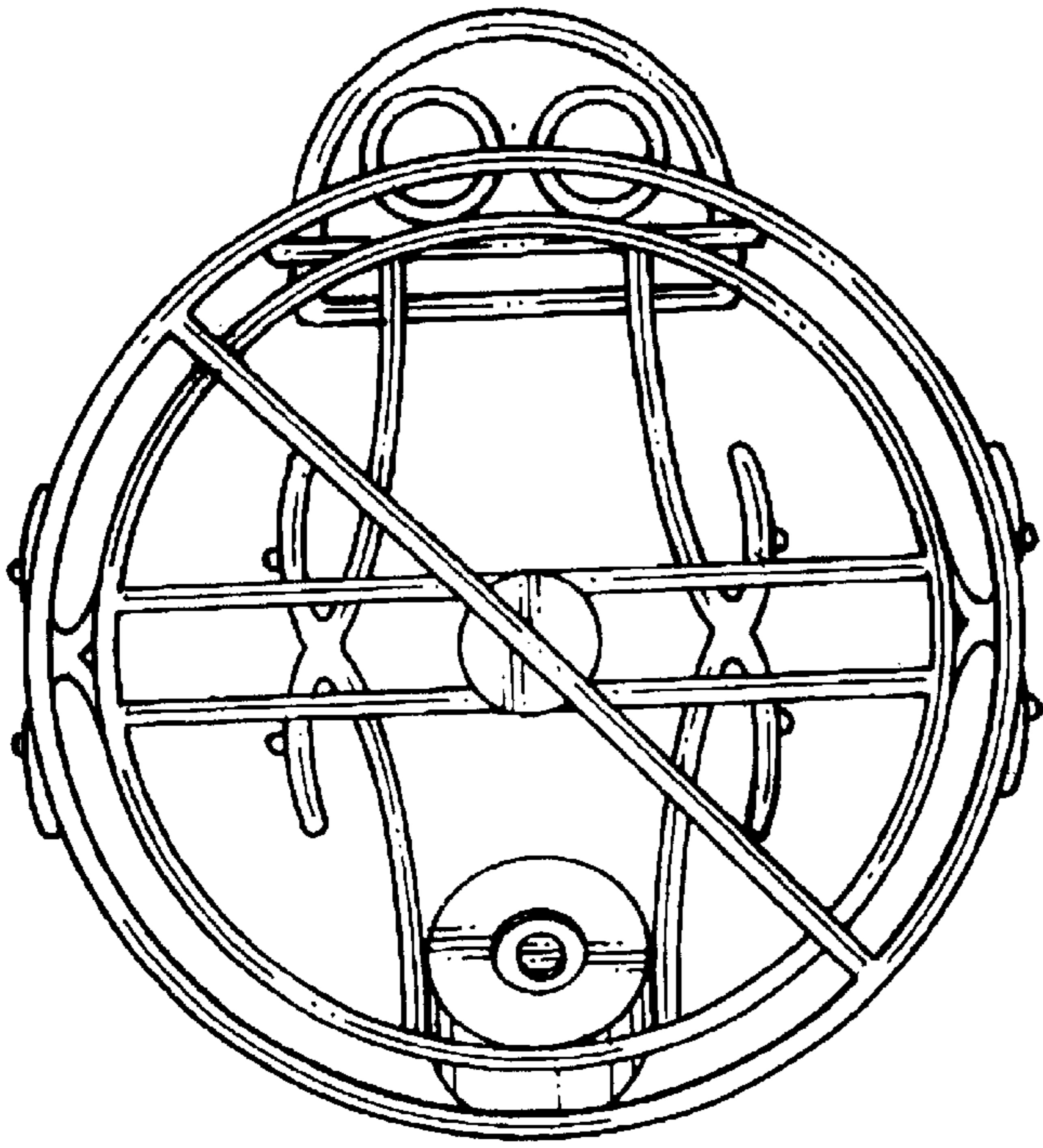


FIG. 6.

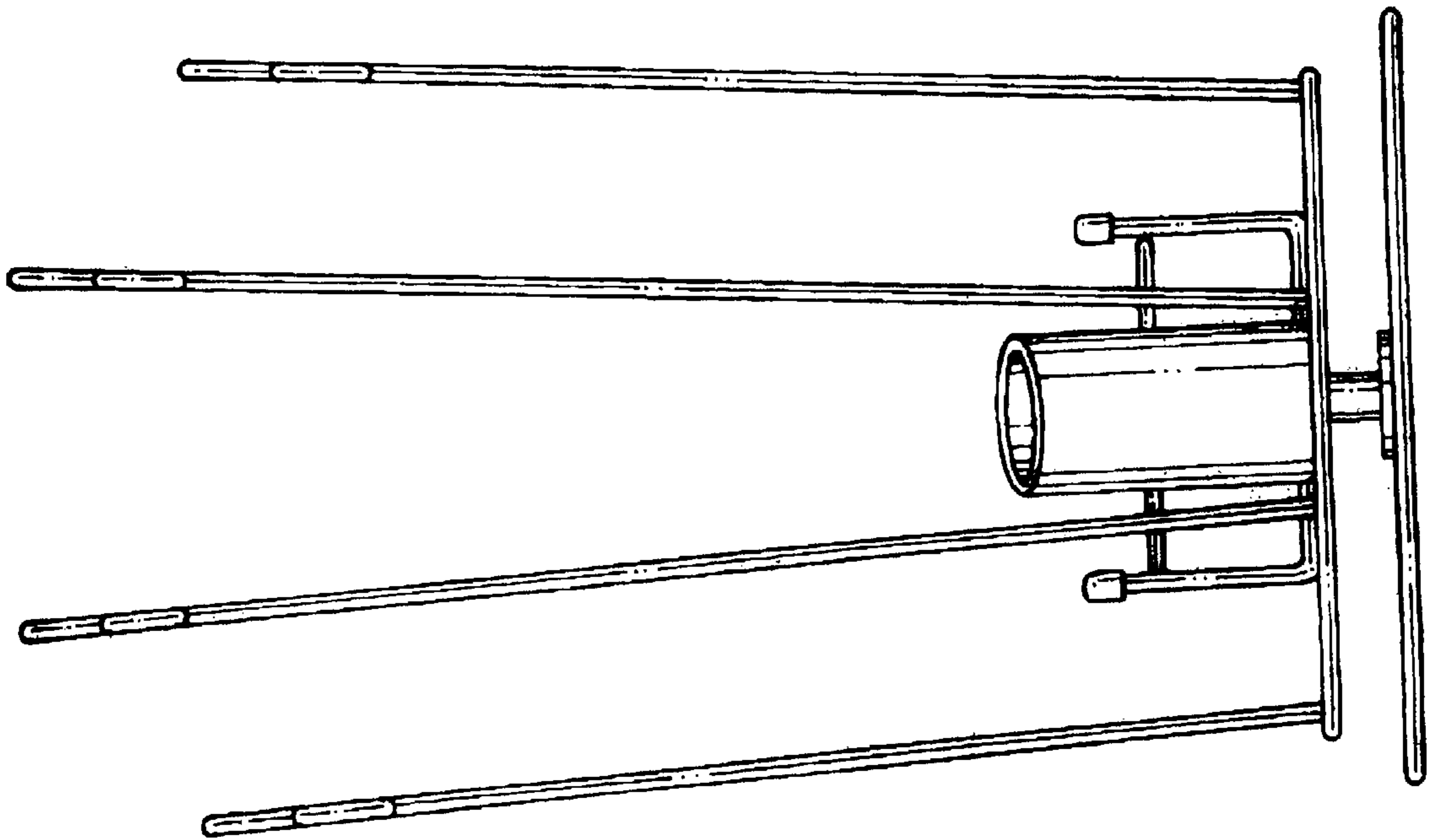


FIG. 2.

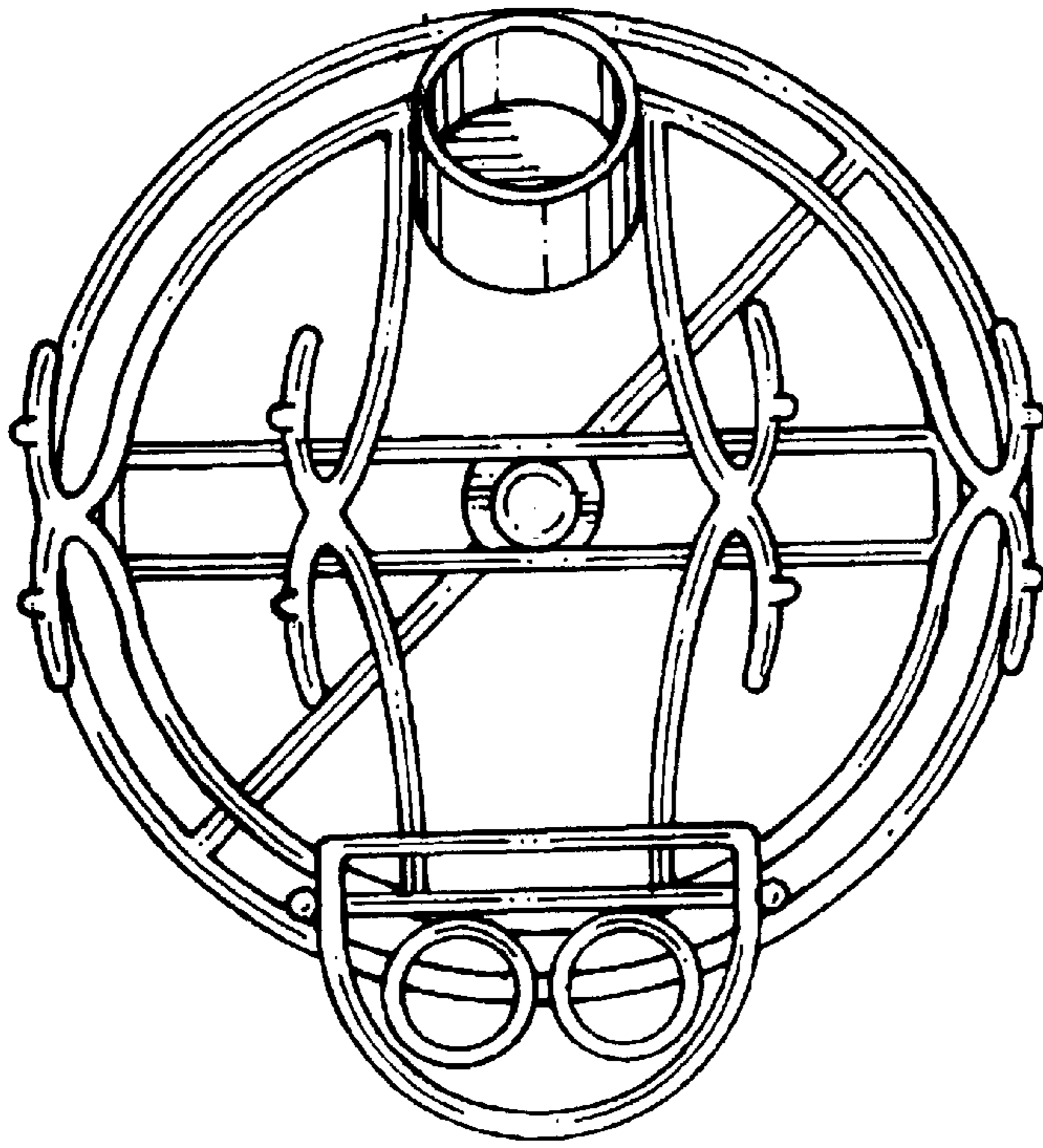


FIG. 5.

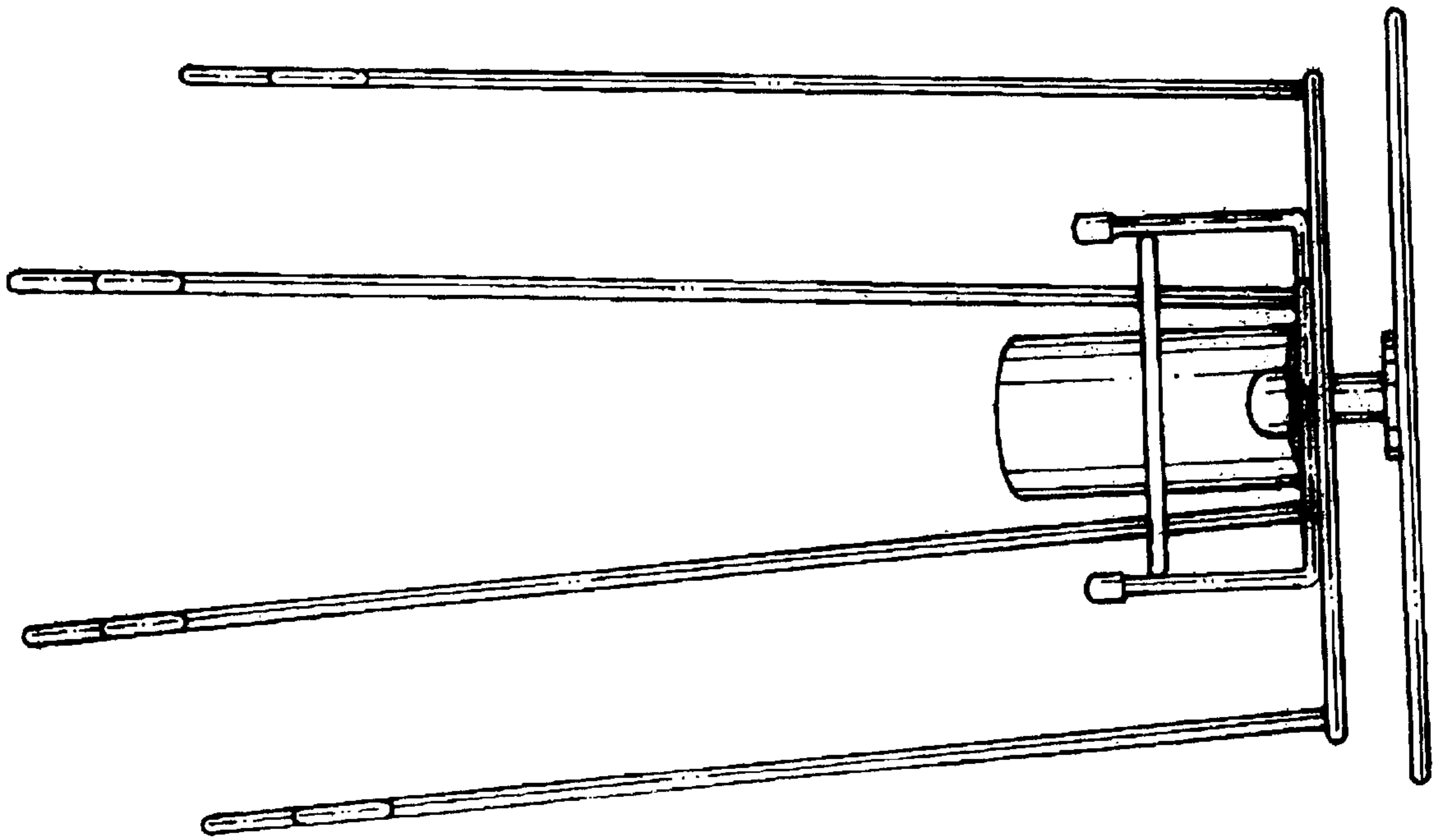


FIG. 3

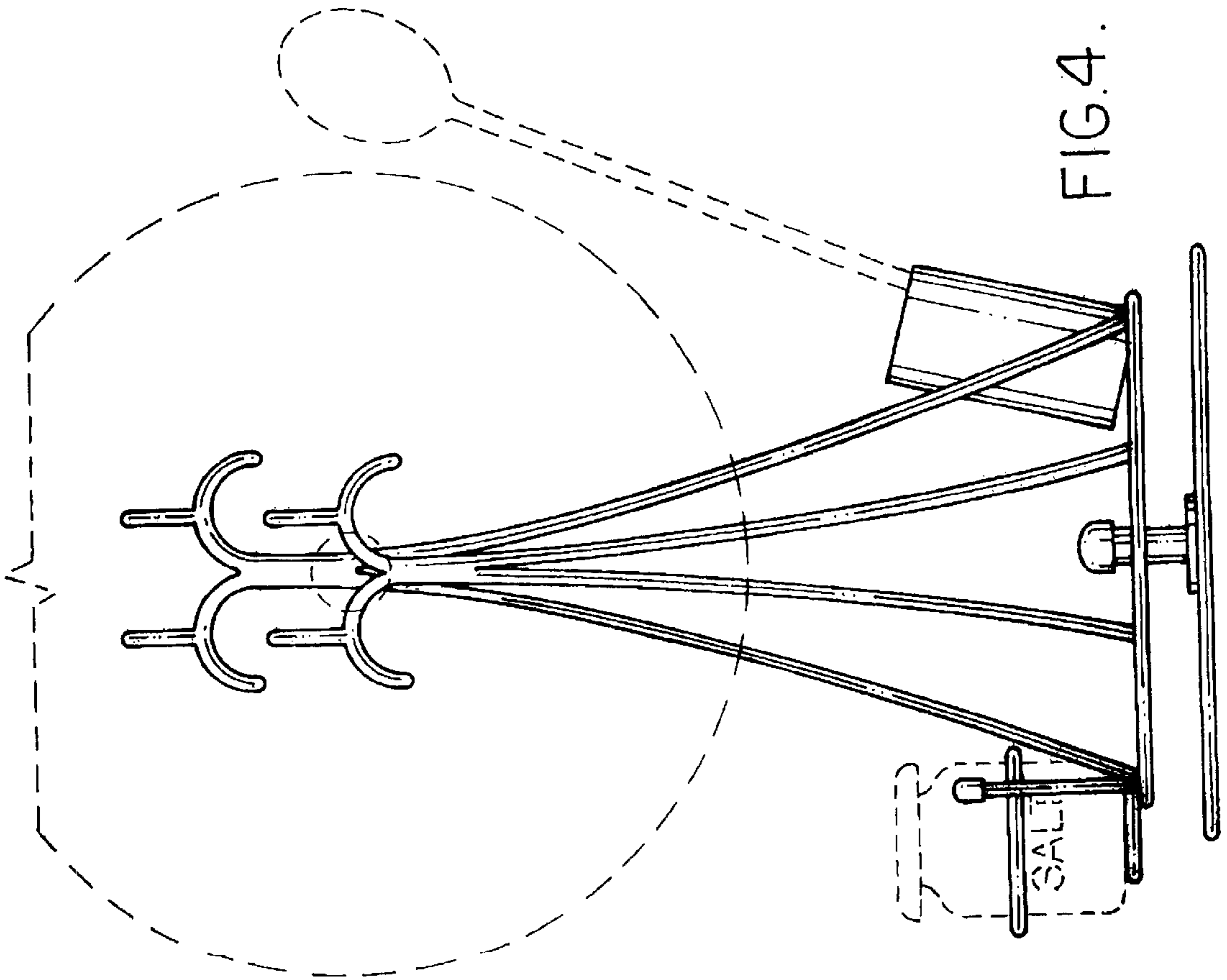


FIG. 4.