



US00D473752S

(12) **United States Design Patent**
Kerr

(10) **Patent No.:** **US D473,752 S**

(45) **Date of Patent:** **** Apr. 29, 2003**

(54) **SET OF MIXING BOWLS**

(75) Inventor: **Helen Kerr**, Toronto (CA)

(73) Assignee: **Browne & Co. Ltd.** (CA)

(**) Term: **14 Years**

(21) Appl. No.: **29/148,183**

(22) Filed: **Sep. 17, 2001**

(30) **Foreign Application Priority Data**

Jun. 12, 2001 (CA) 2001-1485

(51) **LOC (7) Cl.** **07-01**

(52) **U.S. Cl.** **D7/505; D7/500; D7/316**

(58) **Field of Search** D7/354, 356, 316,
D7/500, 505, 584, 586, 587, 601, 612,
602, 543, 545; 99/340, 354, 415; 206/216;
220/23.83, 4.26

(56) **References Cited**

U.S. PATENT DOCUMENTS

1,567,234	A	*	12/1925	Brucker	249/136
D118,238	S	*	12/1939	Klusmeyer	D7/354
D132,280	S	*	5/1942	Miller	D7/560
D193,104	S	*	6/1962	Fisher	D7/316
3,799,048	A	*	3/1974	Finley	99/415
D251,650	S	*	4/1979	Heller	D7/354
4,157,707	A	*	6/1979	Schwind et al.	126/386
D259,011	S	*	4/1981	Daenen	D7/318
D272,219	S	*	1/1984	Hor	D7/354
D282,897	S	*	3/1986	Conti et al.	D7/629
4,622,948	A	*	11/1986	Oh	126/390
5,184,745	A	*	2/1993	Havens et al.	220/23.83
D333,758	S	*	3/1993	Lillelund	D7/612
D338,807	S	*	8/1993	Conti	D7/545
D371,938	S	*	7/1996	Davis	D7/540
D382,440	S	*	8/1997	Fonville	D7/360
5,678,716	A	*	10/1997	Umiker	220/4.26
D390,752	S	*	2/1998	DeCoster	D7/505
D393,777	S	*	4/1998	Bernard	D7/505
D442,019	S	*	5/2001	Wyche	D7/354
D453,094	S	*	1/2002	Maggard et al.	D7/584

* cited by examiner

Primary Examiner—M. N. Pandozzi

(74) *Attorney, Agent, or Firm*—Mark Kusner; Michael A. Jaffe

(57) **CLAIM**

The ornamental design for the set of mixing bowls, as shown as described.

DESCRIPTION

FIG. 1 is an exploded view of a set of mixing bowls showing my new design;

FIG. 2 is a perspective view of the mixing bowls shown in FIG. 1, showing the bowls nested together;

FIG. 3 is a top, plan view of the nested mixing bowls shown in FIG. 2;

FIG. 4 is a side-elevation view of the nested mixing bowls;

FIG. 5 is a sectional view taken along line 5—5 of FIG. 3.

FIG. 6 is a perspective view of the largest mixing bowl of the mixing bowls shown in FIGS. 1–5;

FIG. 7 is a top, plan view of the mixing bowl shown in FIG. 6;

FIG. 8 is a side, elevational view of the mixing bowl shown in FIG. 6;

FIG. 9 is a perspective view of the second largest mixing bowl of the mixing bowls shown in FIG. 1;

FIG. 10 is a top, plan view of the mixing bowl shown in FIG. 9;

FIG. 11 is a front, elevational view of the mixing bowl shown in FIG. 9;

FIG. 12 is a side, elevational view of the mixing bowl shown in FIG. 9, the opposite side being a mirror image thereof;

FIG. 13 is a perspective view showing one of the four smallest mixing bowls of the mixing bowls shown in FIGS. 1–5, each of the four smallest mixing bowls having the same shape;

FIG. 14 is a front, elevational view of the mixing bowl shown in FIG. 13;

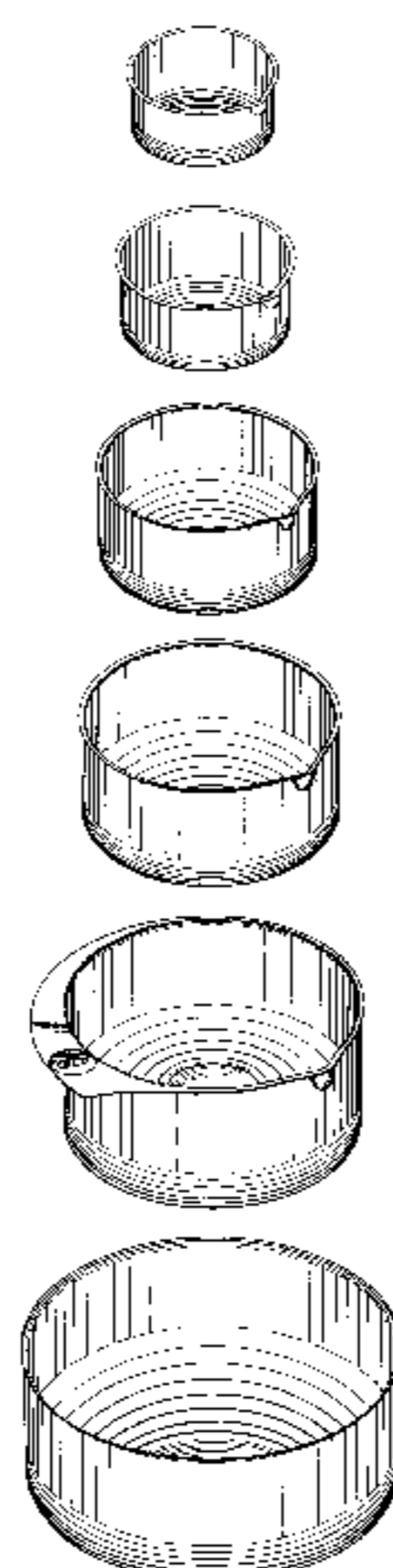
FIG. 15 is a back, elevational view of the mixing bowl shown in FIG. 13;

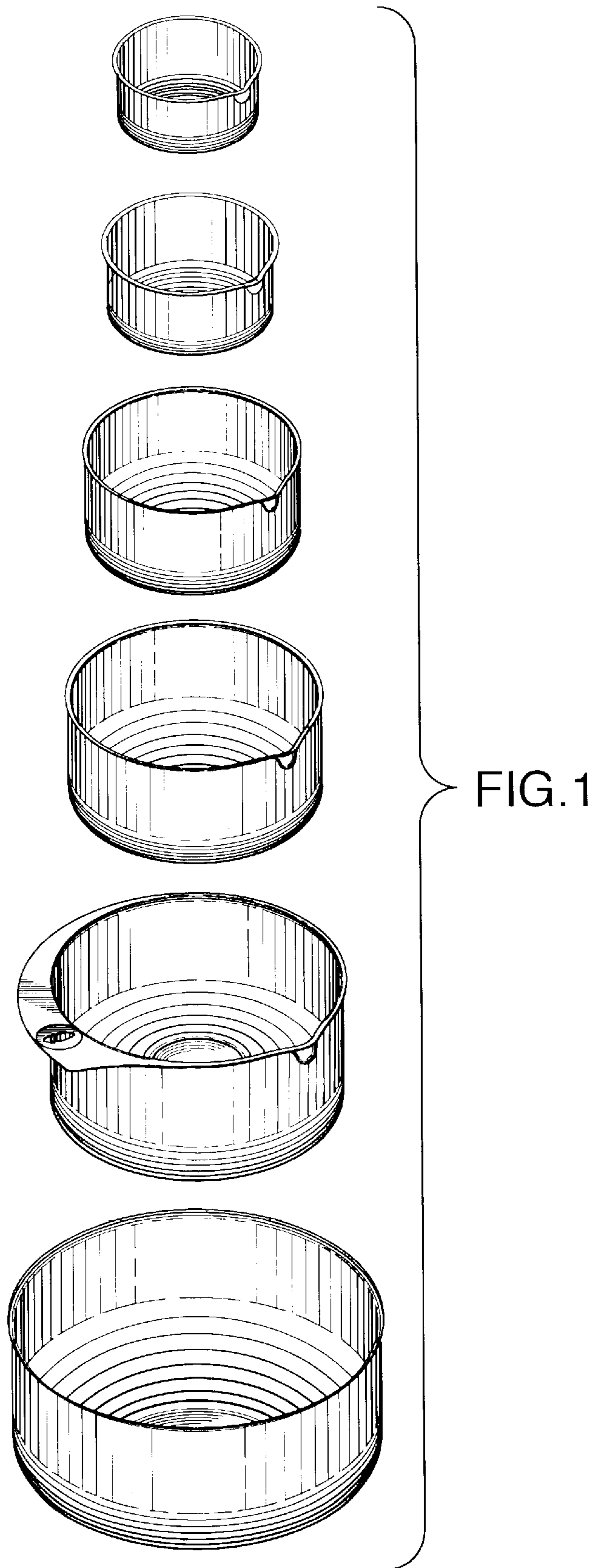
FIG. 16 is a top, plan view of the mixing bowl shown in FIG. 13;

FIG. 17 is a side, elevational view of the mixing bowl shown in FIG. 13, the opposite side being a mirror image thereof; and,

FIG. 18 is a bottom plan view of the mixing bowl shown in FIG. 13.

1 Claim, 6 Drawing Sheets





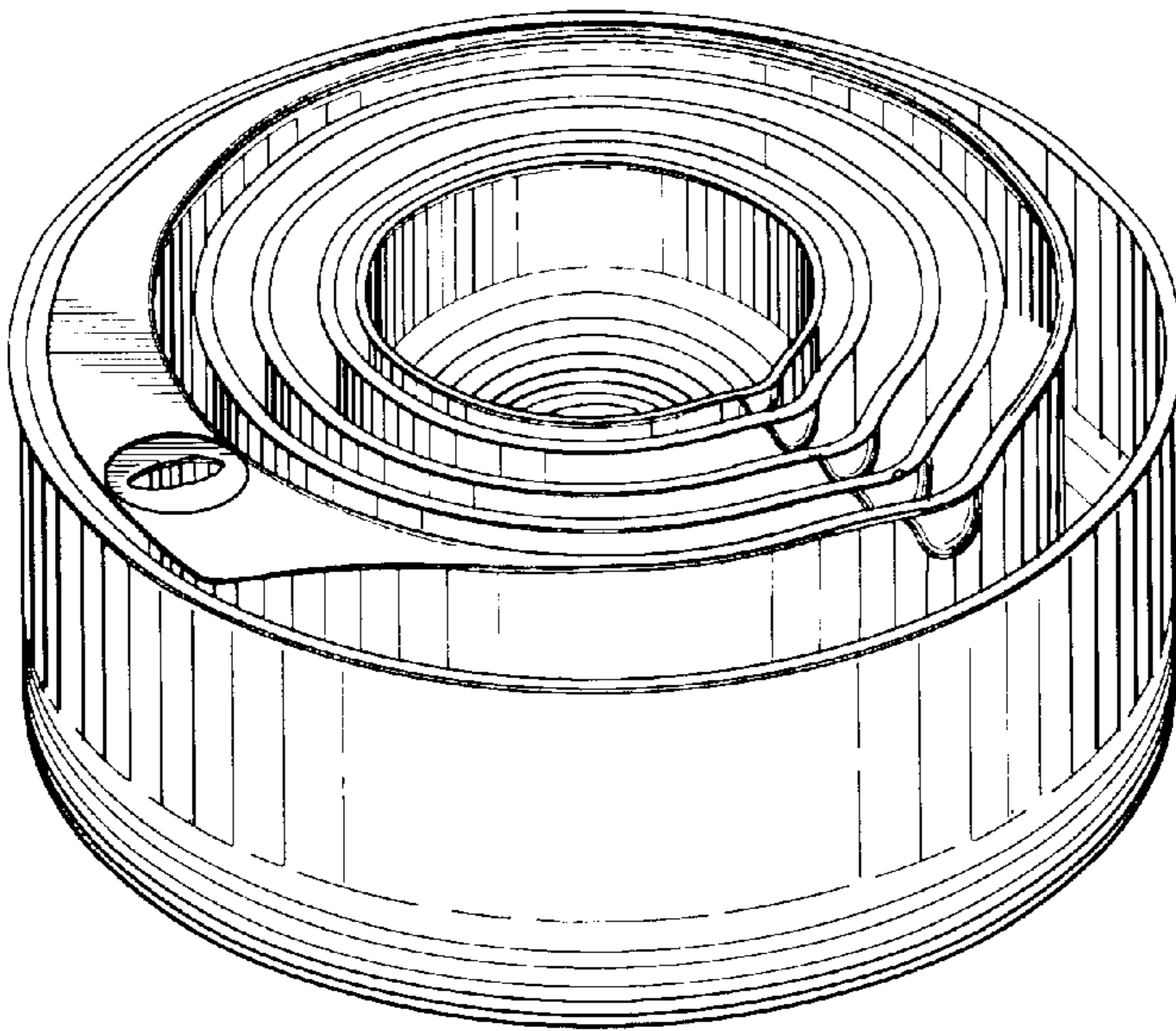


FIG. 2

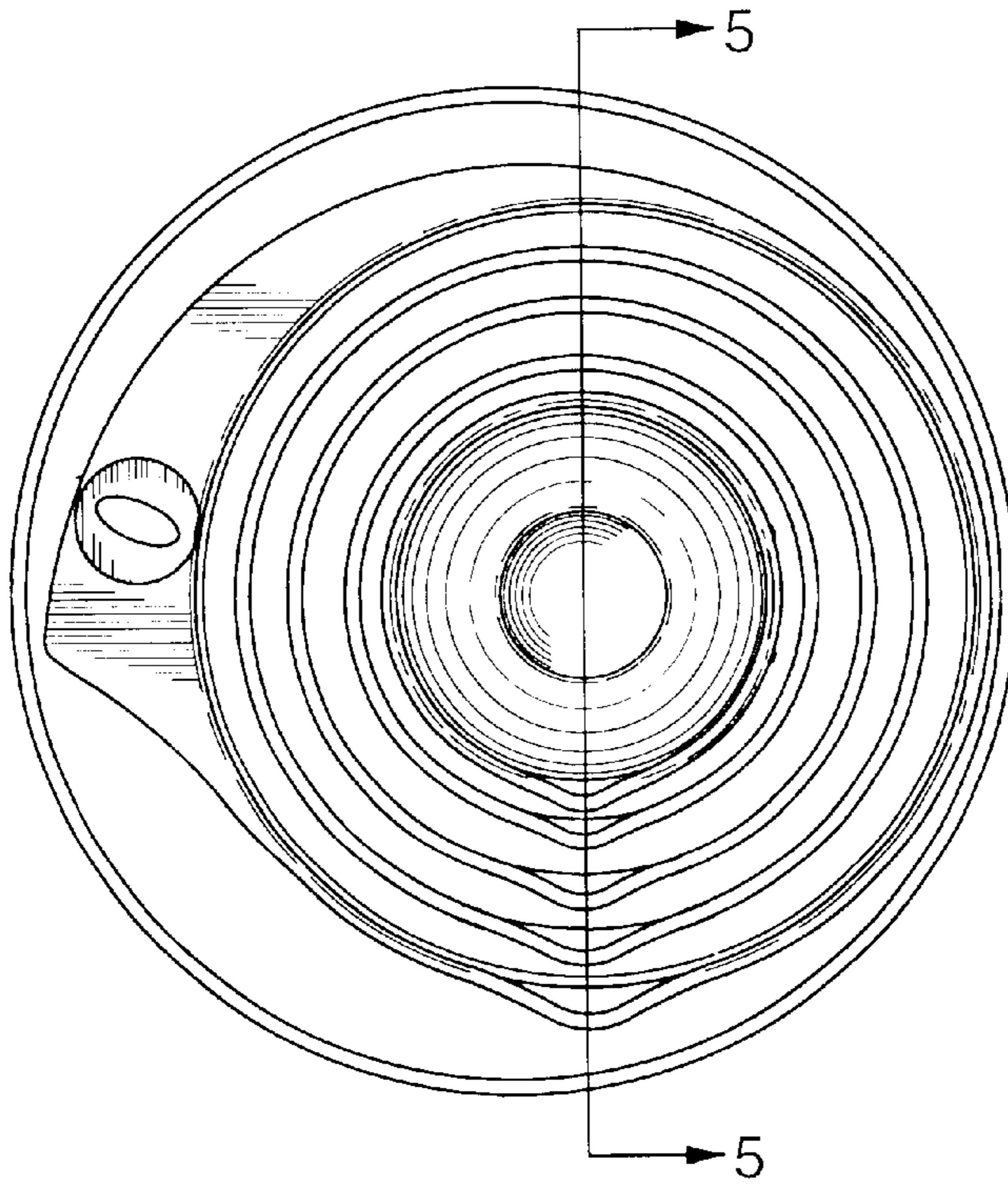


FIG. 3

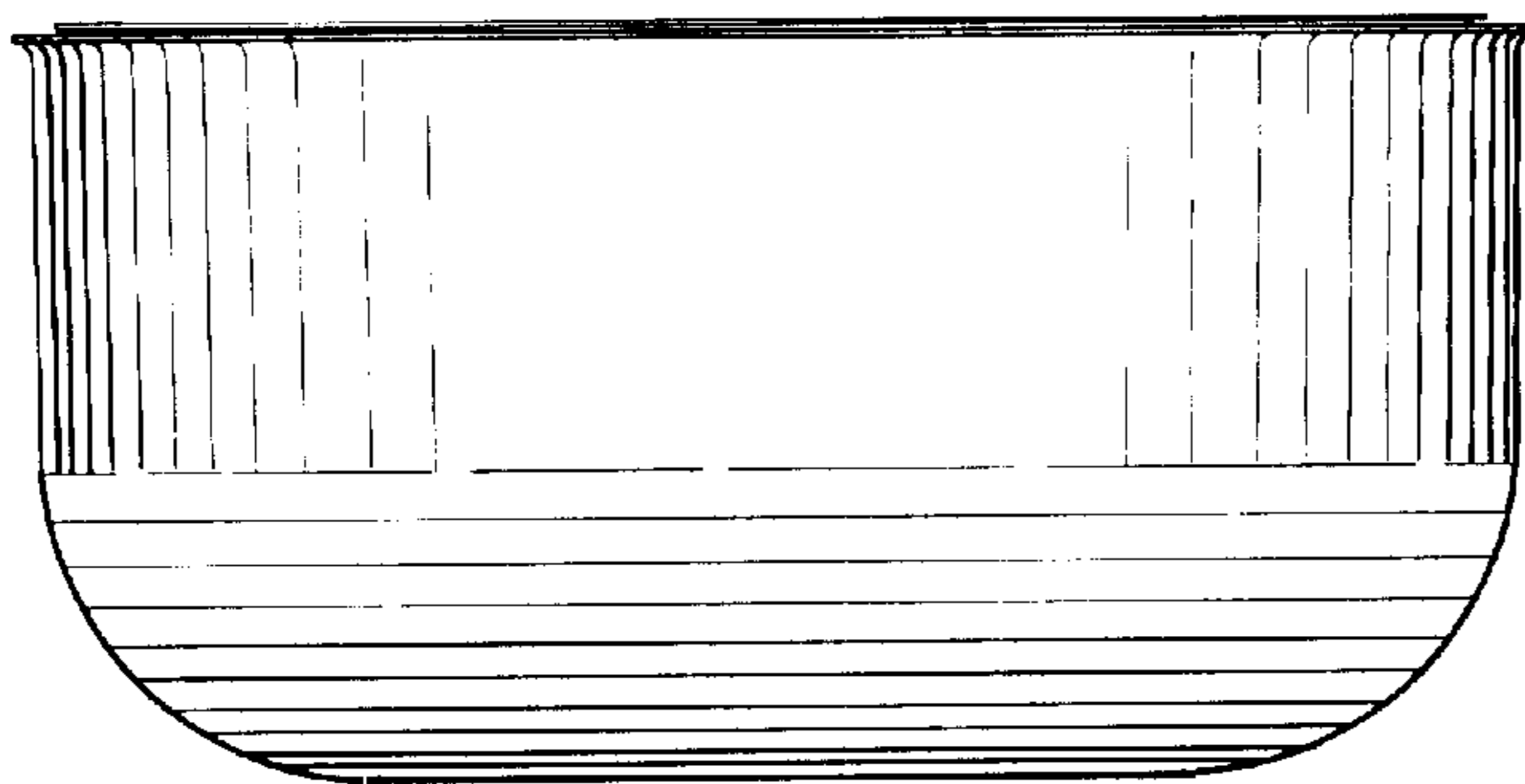


FIG. 4

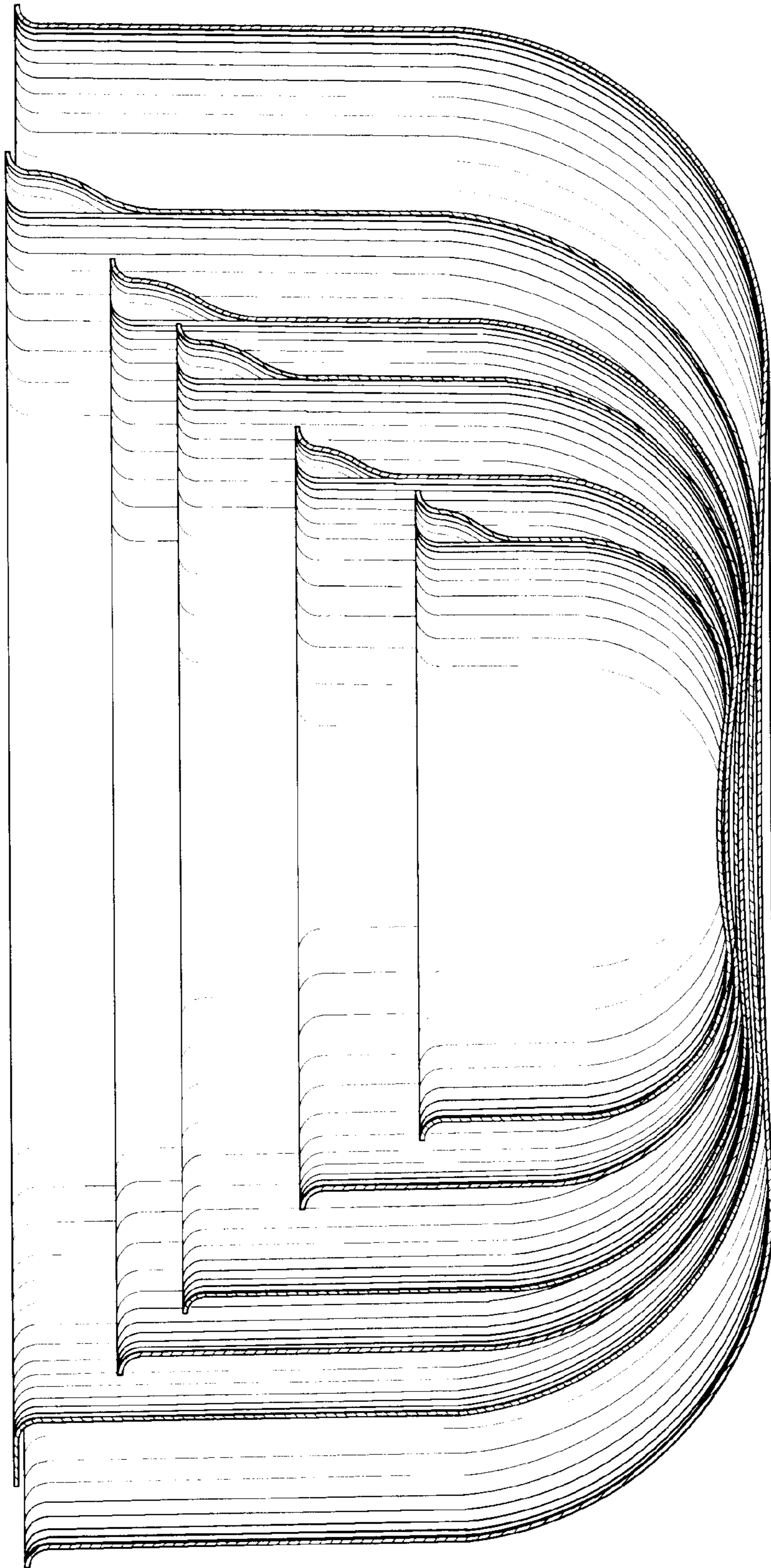


FIG.5

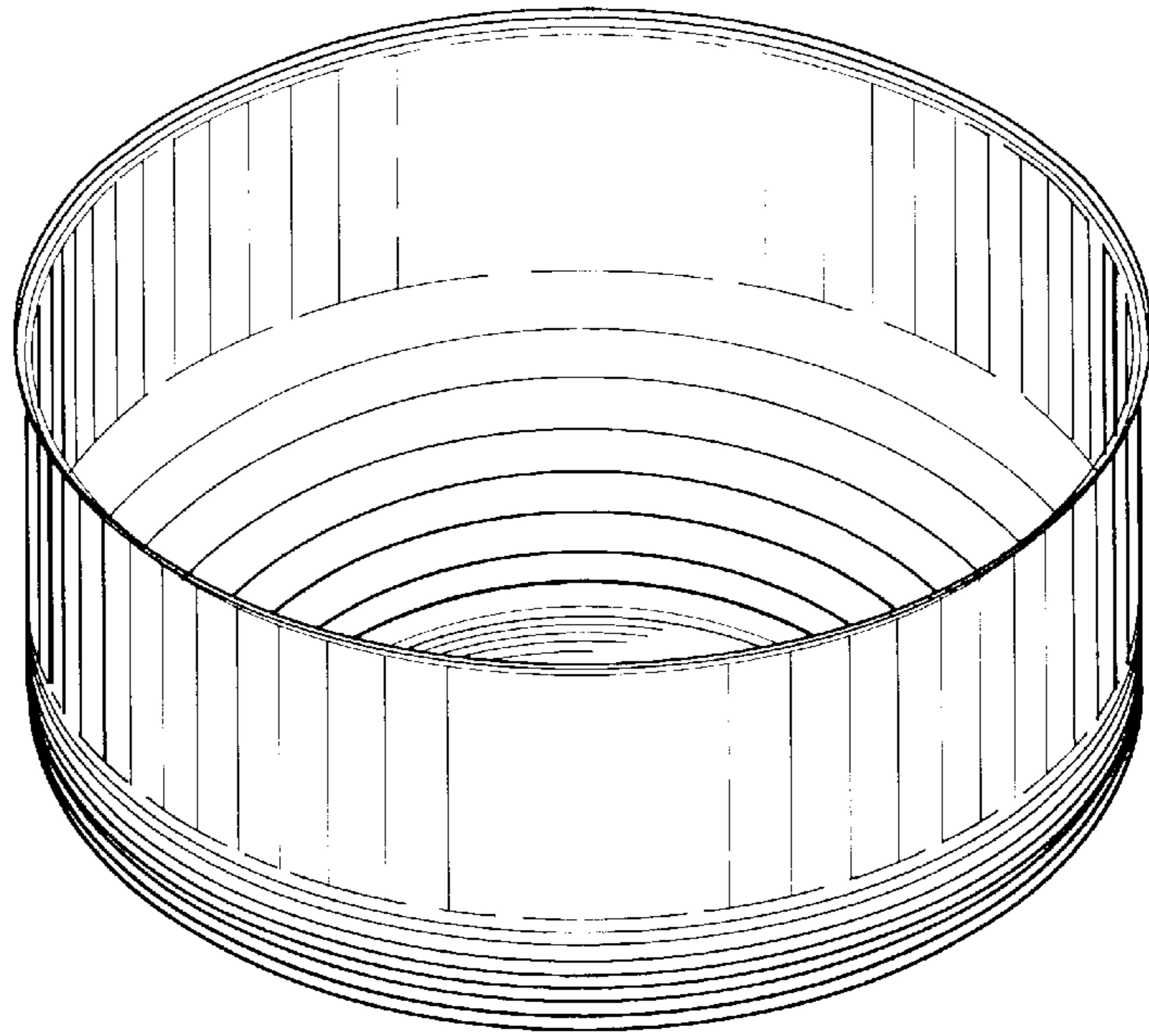


FIG. 6

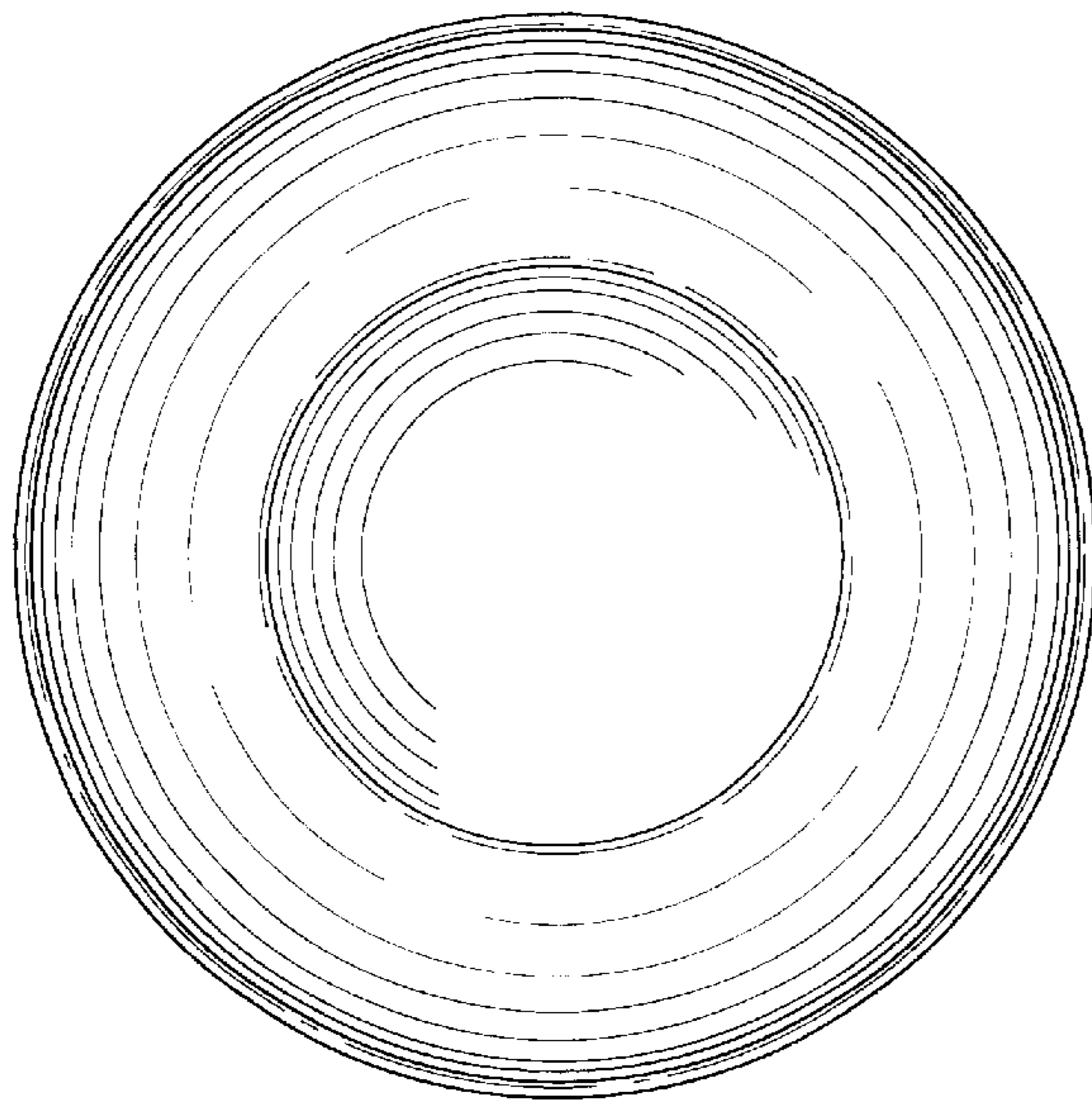


FIG. 7

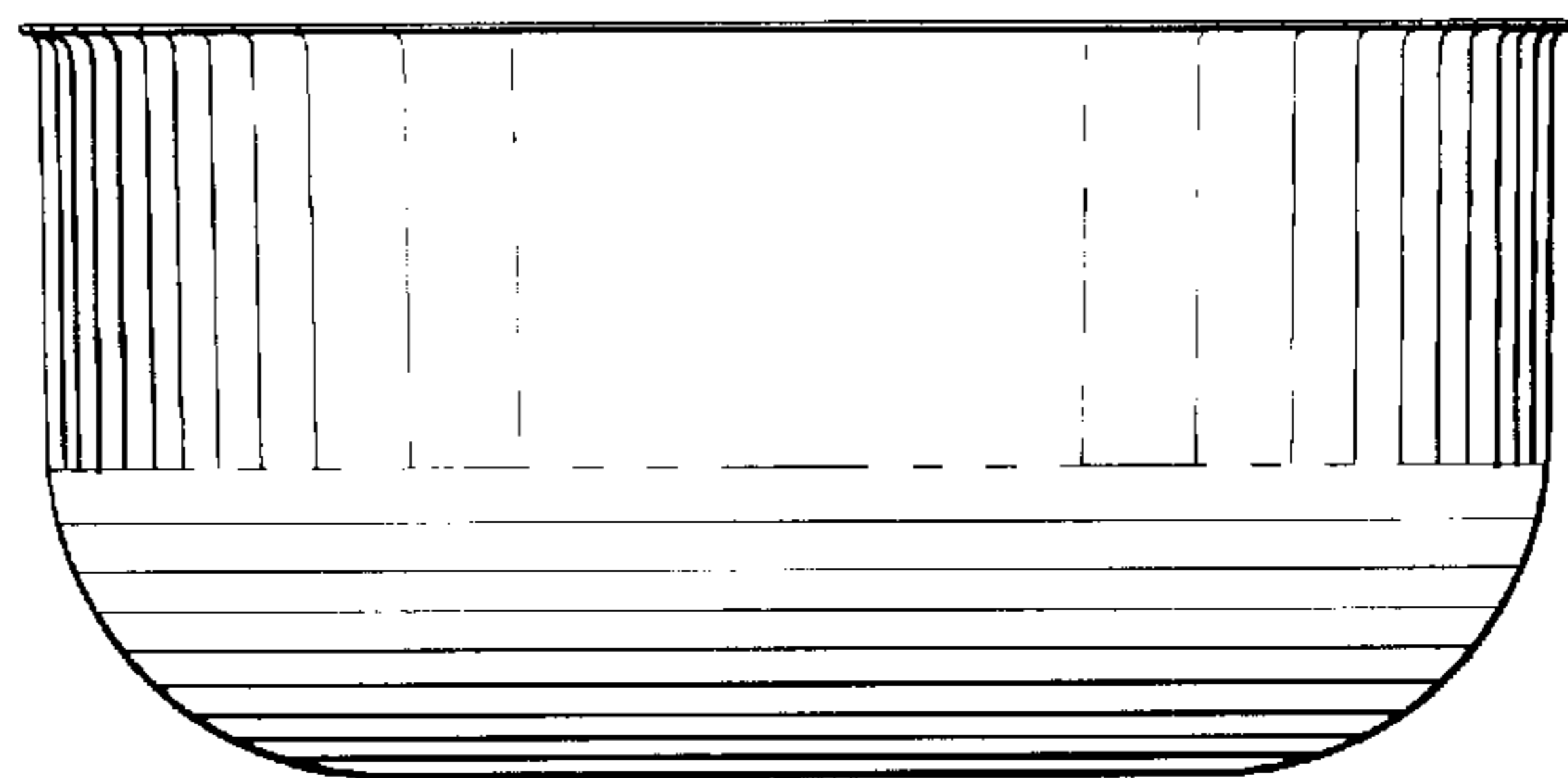


FIG. 8

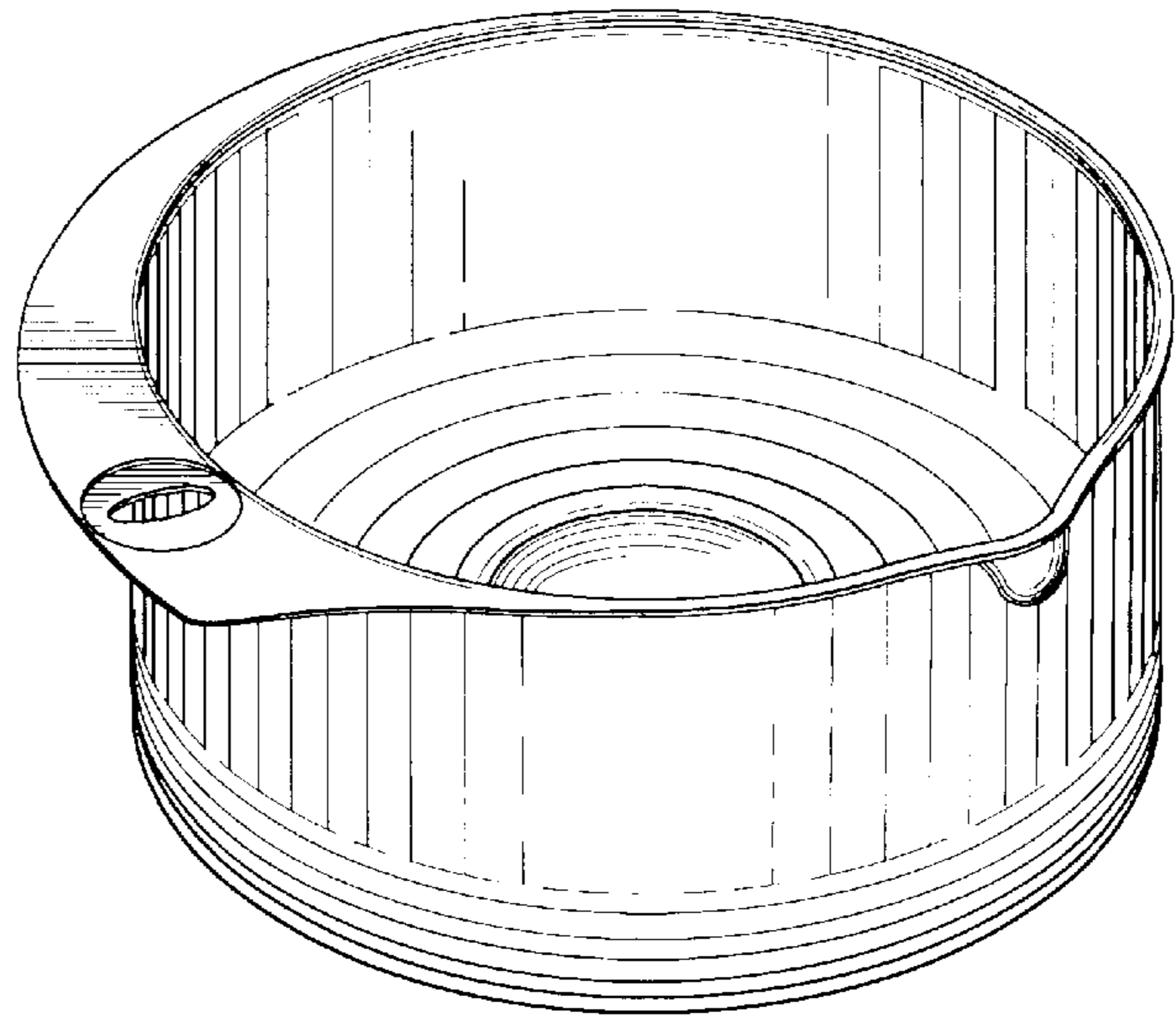


FIG. 9

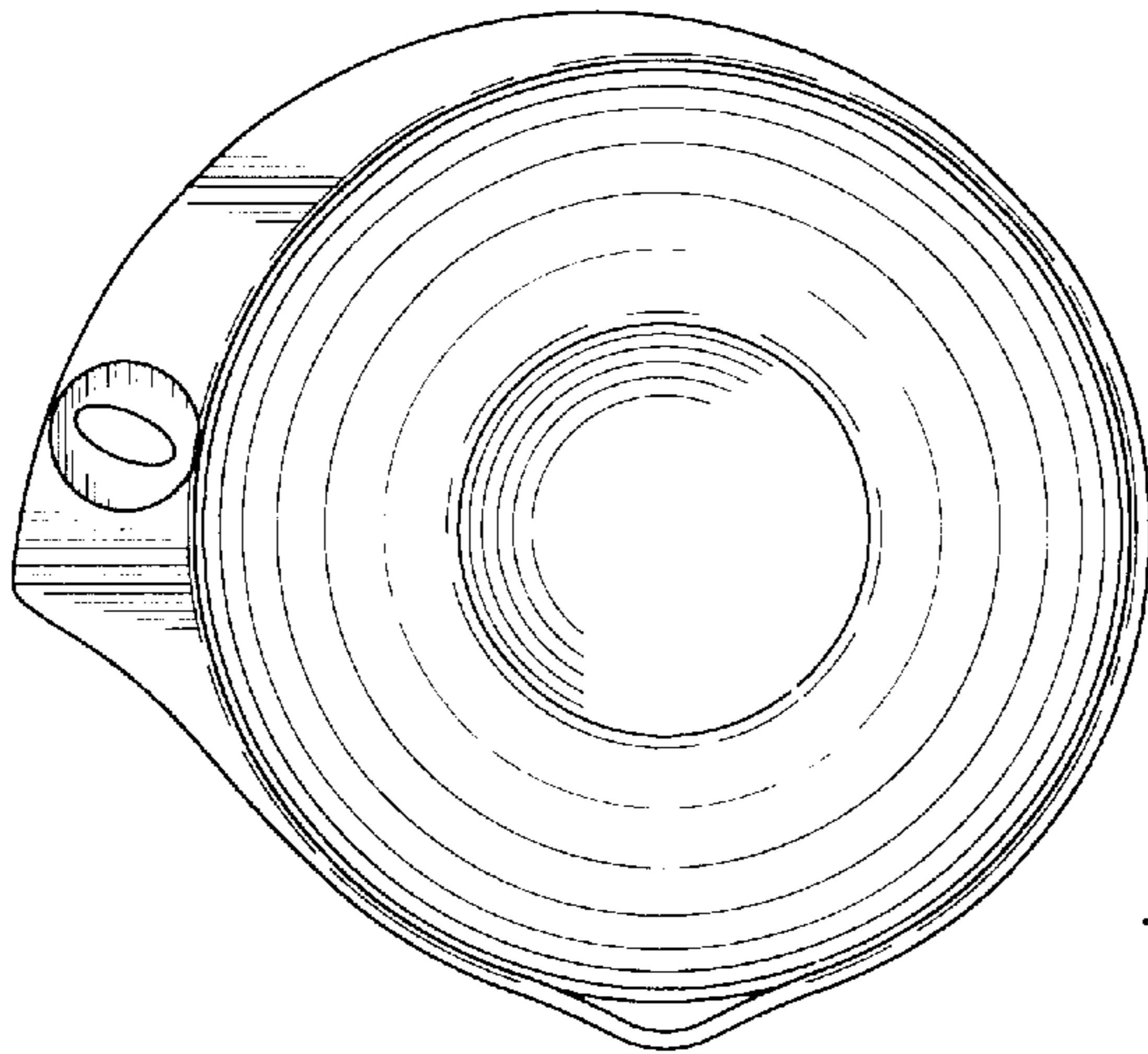


FIG. 10

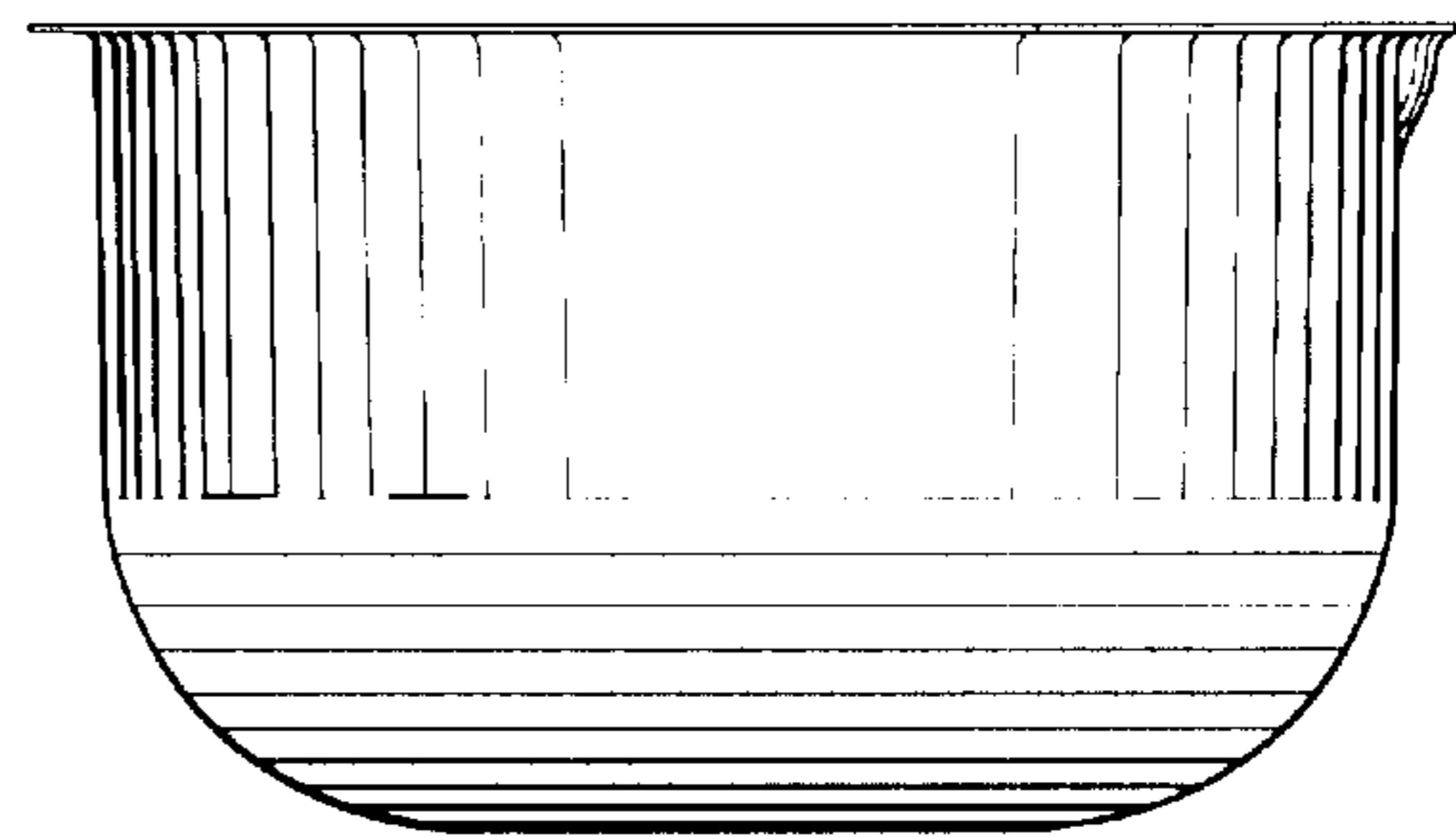


FIG. 12

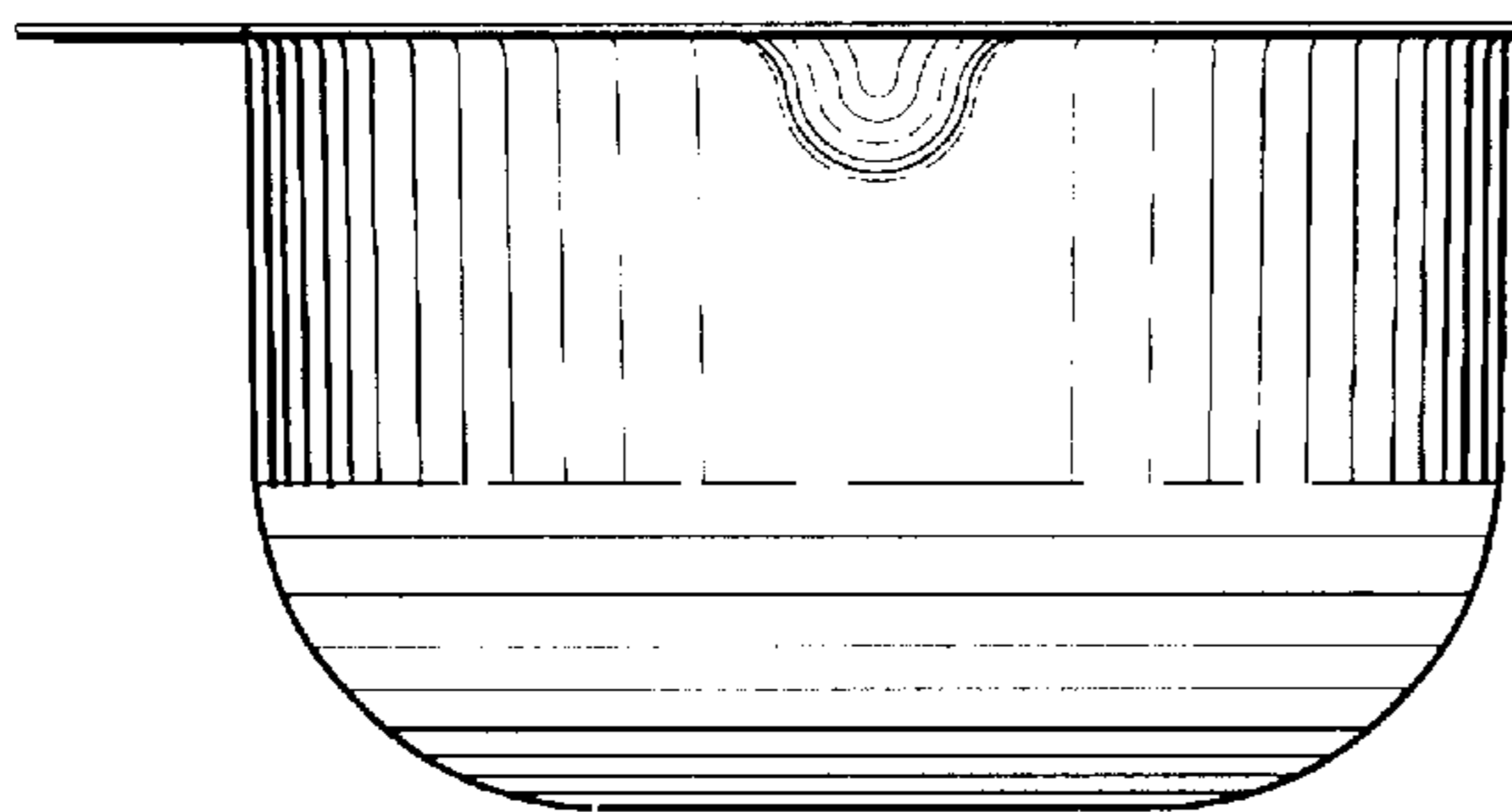


FIG. 11

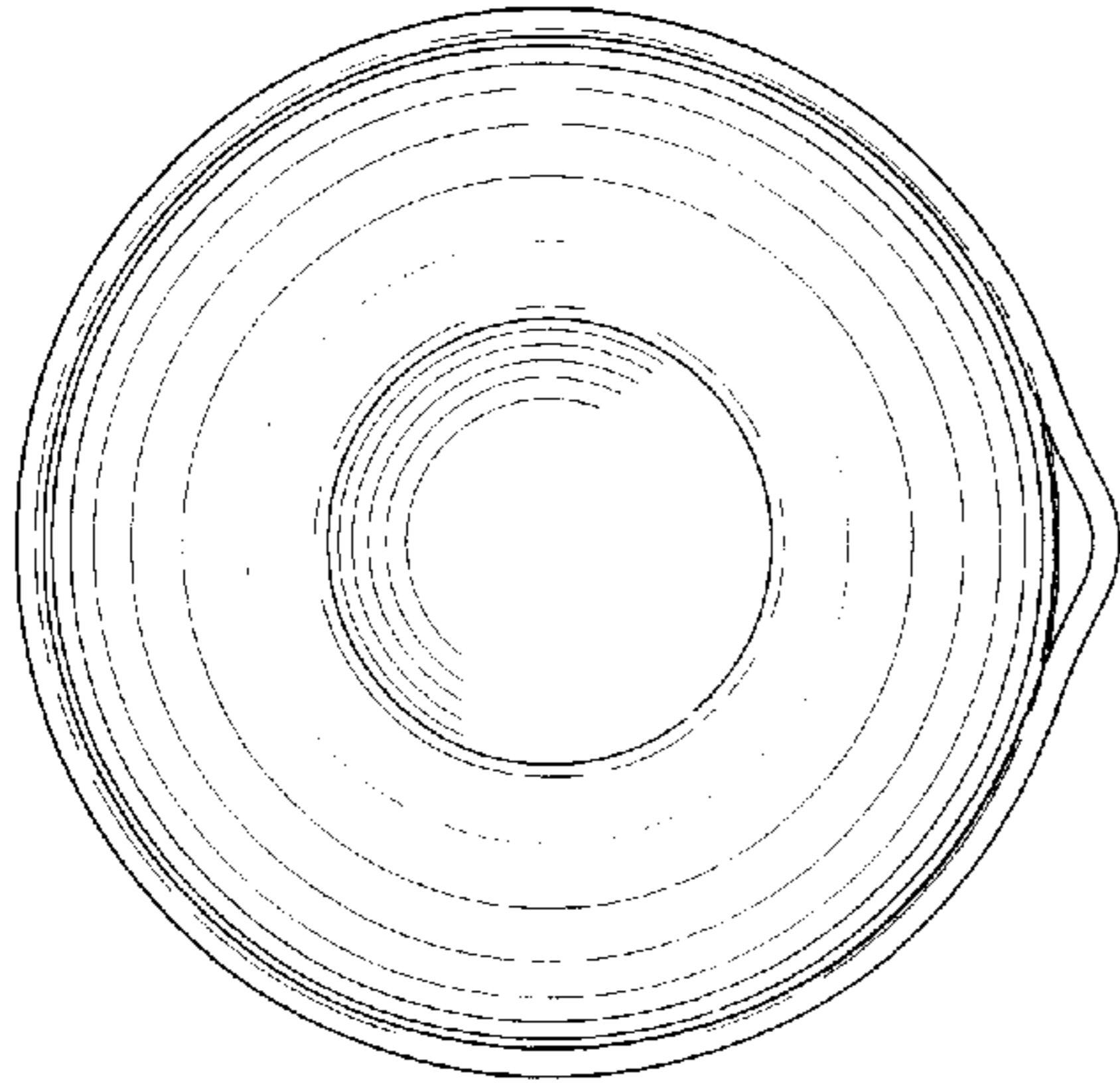


FIG. 18

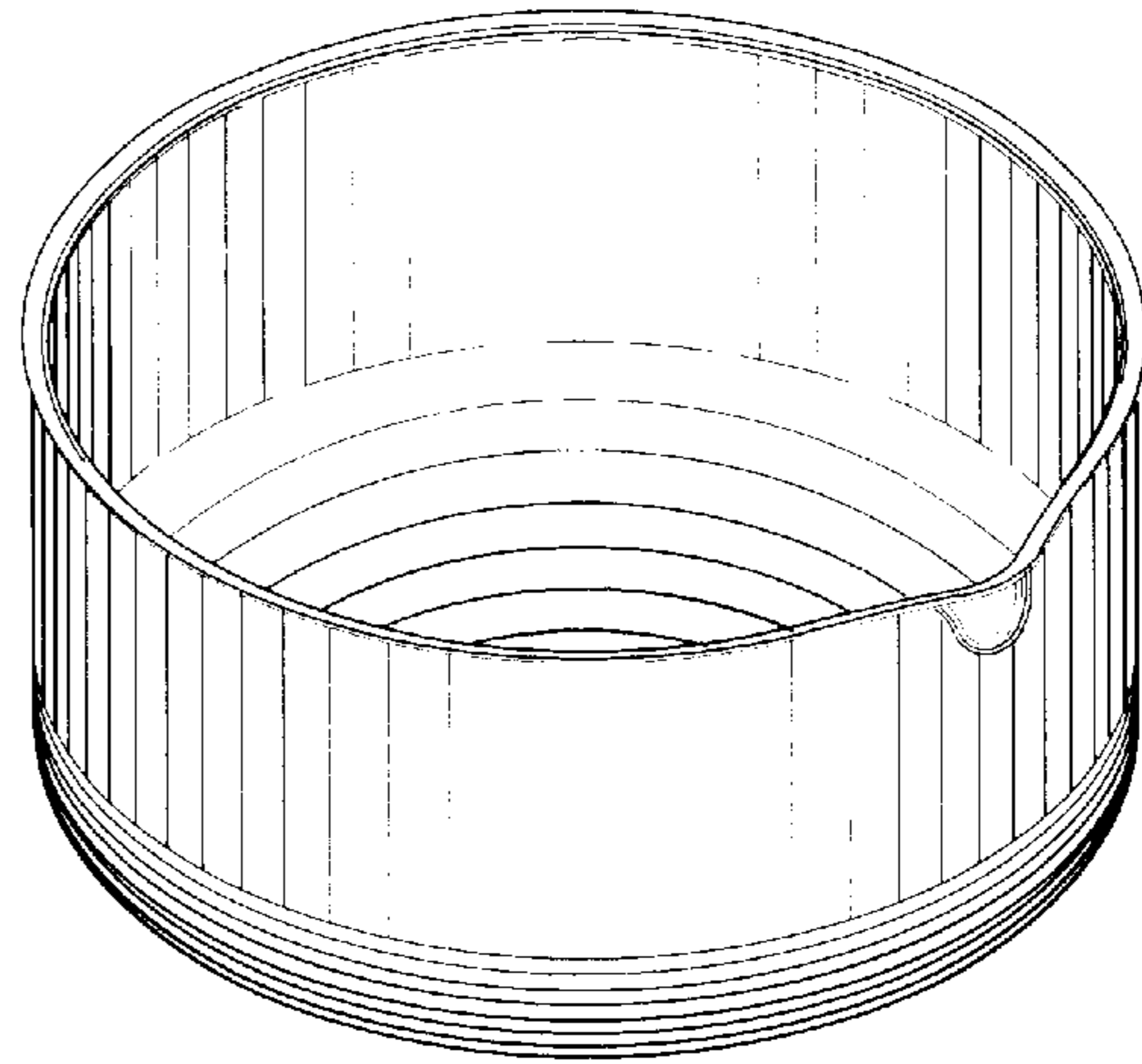


FIG. 13

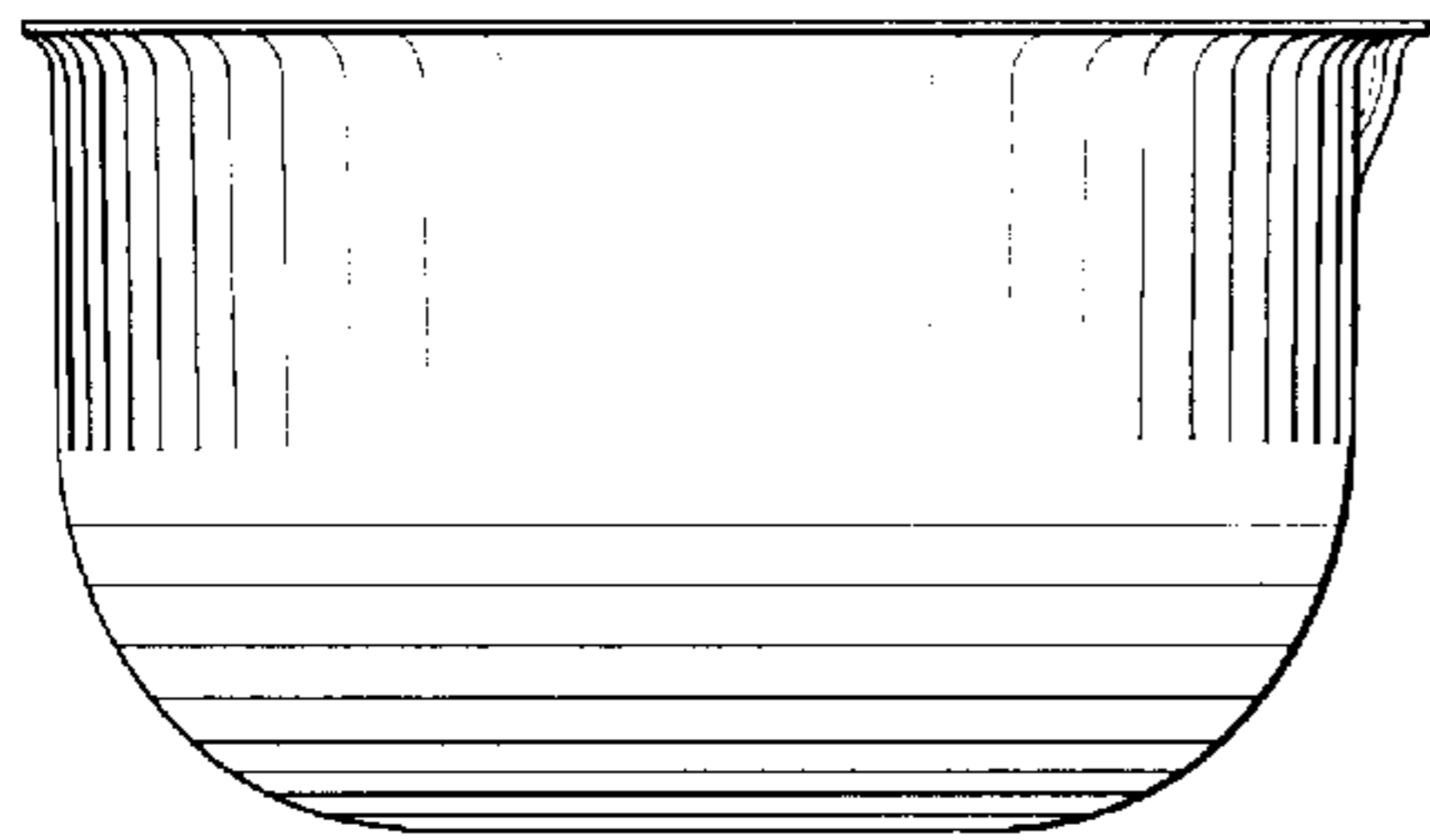


FIG. 17

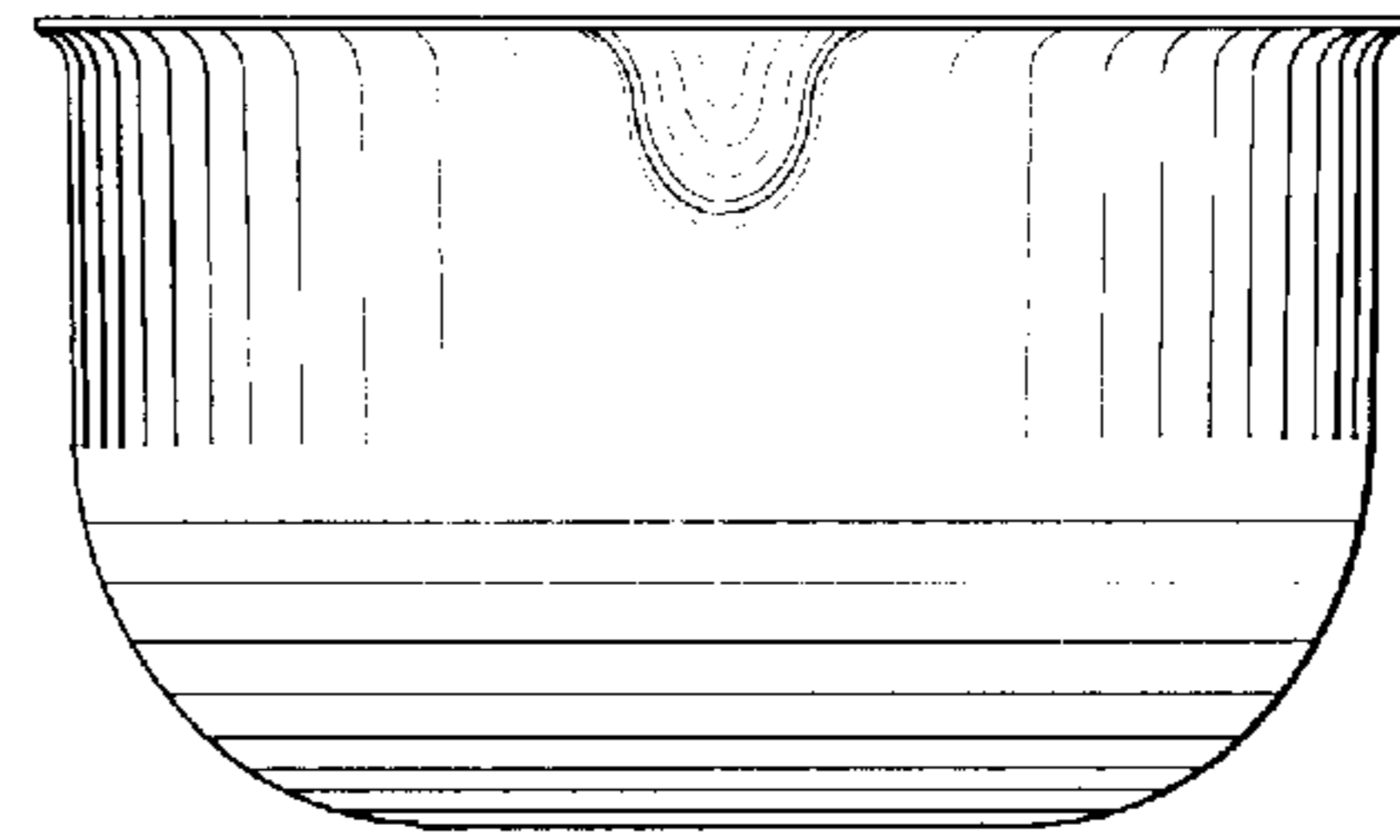


FIG. 14

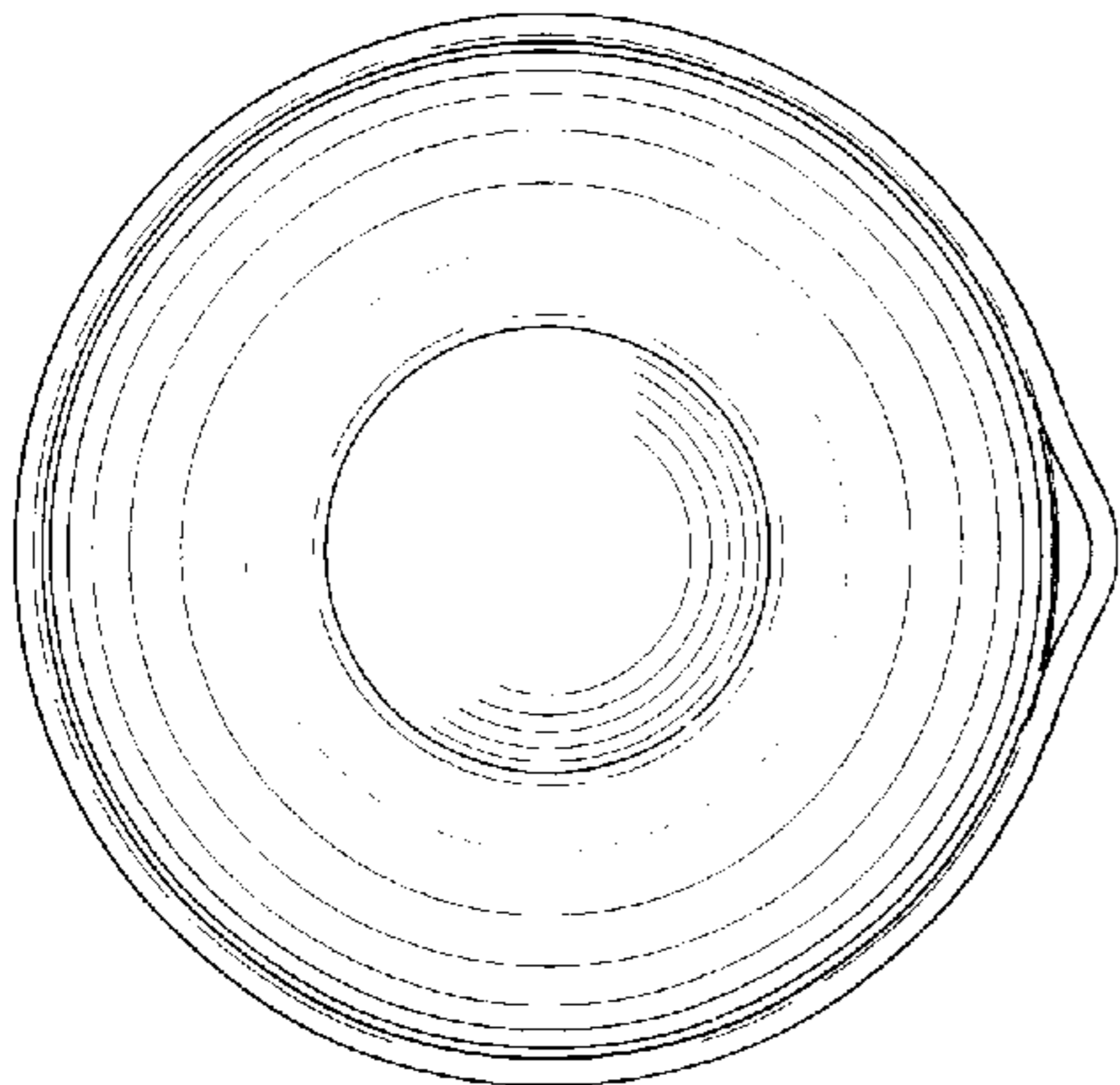


FIG. 16

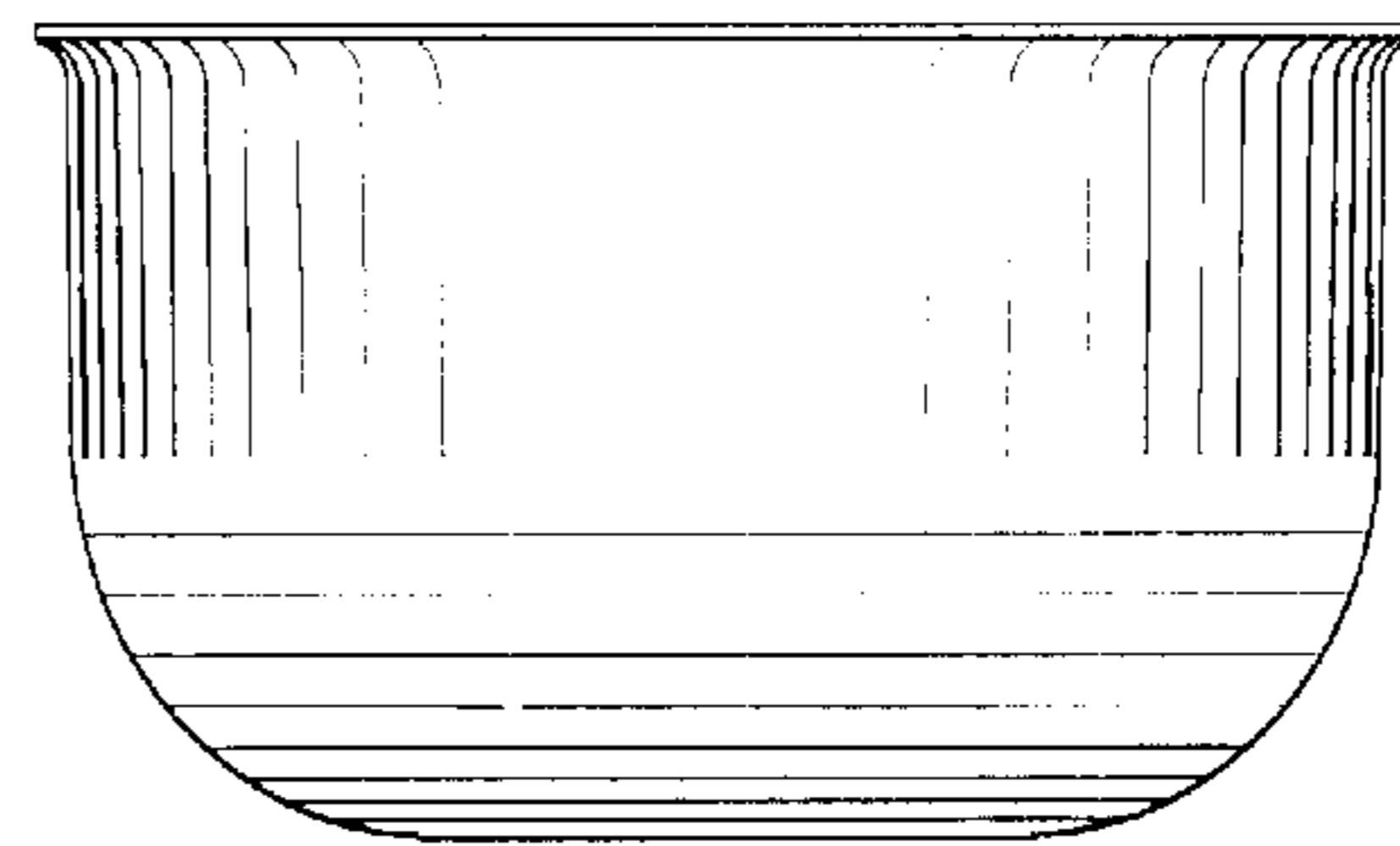


FIG. 15