



US00D473748S

(12) **United States Design Patent**
Cho

(10) **Patent No.:** **US D473,748 S**

(45) **Date of Patent:** **** Apr. 29, 2003**

(54) **TWO-SIDED ELECTRIC FRYING PAN**

(76) Inventor: **Jong-Yeon Cho**, #6-1302 Kumho Apt.,
350 Sunhak-dong, Yeonsoo-ku,
Incheon-shi, 406-090 (KR)

(**) Term: **14 Years**

(21) Appl. No.: **29/163,838**

(22) Filed: **Jul. 12, 2002**

(30) **Foreign Application Priority Data**

Mar. 15, 2002 (KR) 2002-7540

(51) **LOC (7) Cl.** **07-02**

(52) **U.S. Cl.** **D7/360**

(58) **Field of Search** D7/323, 354-361;
99/324, 325, 331, 339, 340, 425; 219/438

(56) **References Cited**

U.S. PATENT DOCUMENTS

- D276,689 S * 12/1984 Spoeth, Jr. D7/355
- D278,403 S * 4/1985 Cesaroni D7/360
- D437,182 S * 2/2001 Choi D7/360
- D438,422 S * 3/2001 Choi D7/360
- D455,040 S * 4/2002 Pannozzo et al. D7/360

* cited by examiner

Primary Examiner—Caron D. Veynar
(74) *Attorney, Agent, or Firm*—Sheridan Ross PC

(57) **CLAIM**

The ornamental design for a two-sided electric frying pan, as shown and described.

DESCRIPTION

FIG. 1 is a perspective view of a two-sided electric frying pan;

FIG. 2 is a left elevation view of the invention illustrated in FIG. 1;

FIG. 3 is a right elevation view of the invention illustrated in FIG. 1;

FIG. 4 is a front elevation view of the invention illustrated in FIG. 1;

FIG. 5 is a rear elevation view of the invention illustrated in FIG. 1;

FIG. 6 is a top plan view of the invention illustrated in FIG. 1; and,

FIG. 7 is a bottom plan view of the invention illustrated in FIG. 1.

1 Claim, 5 Drawing Sheets

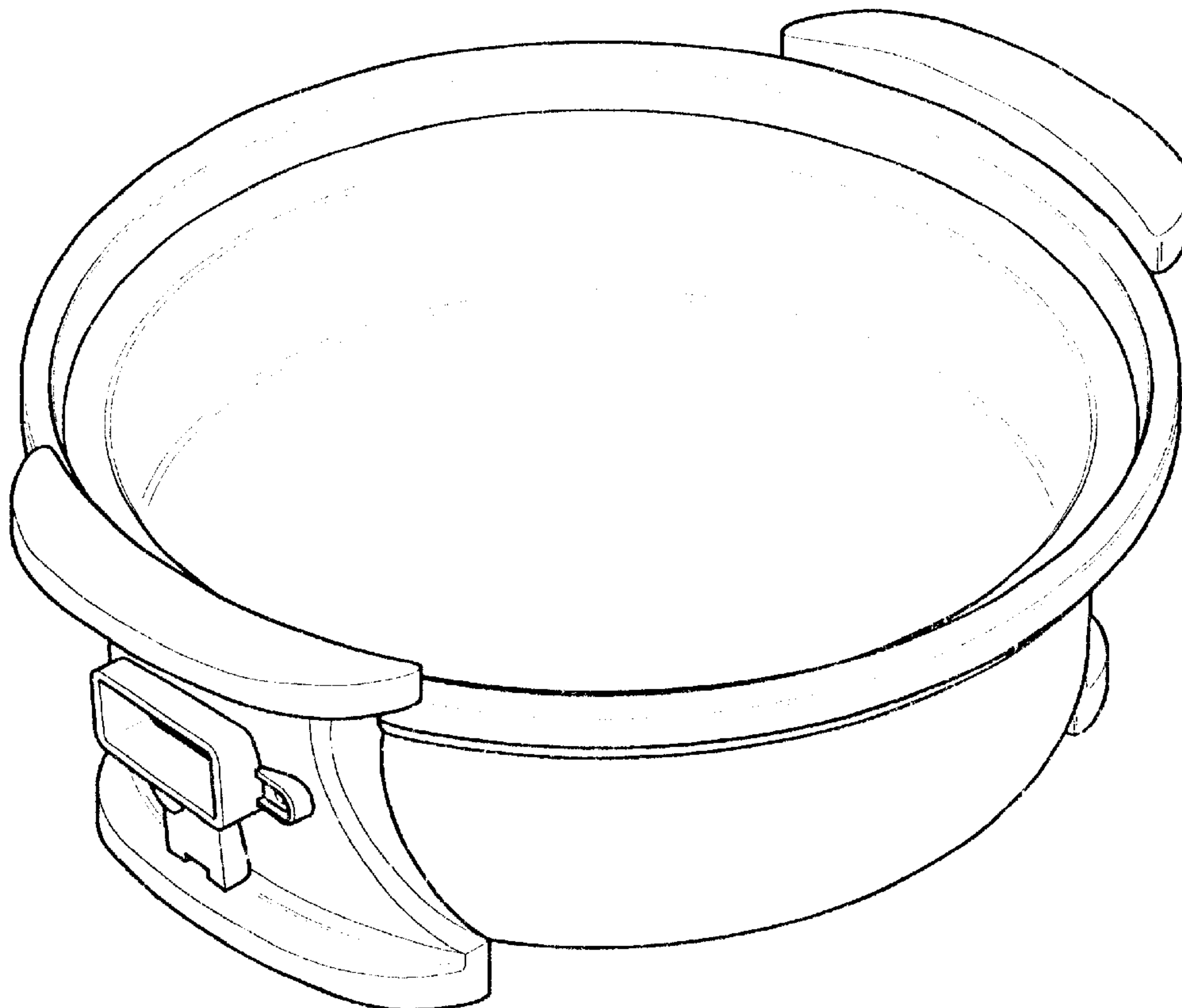


FIG. 1

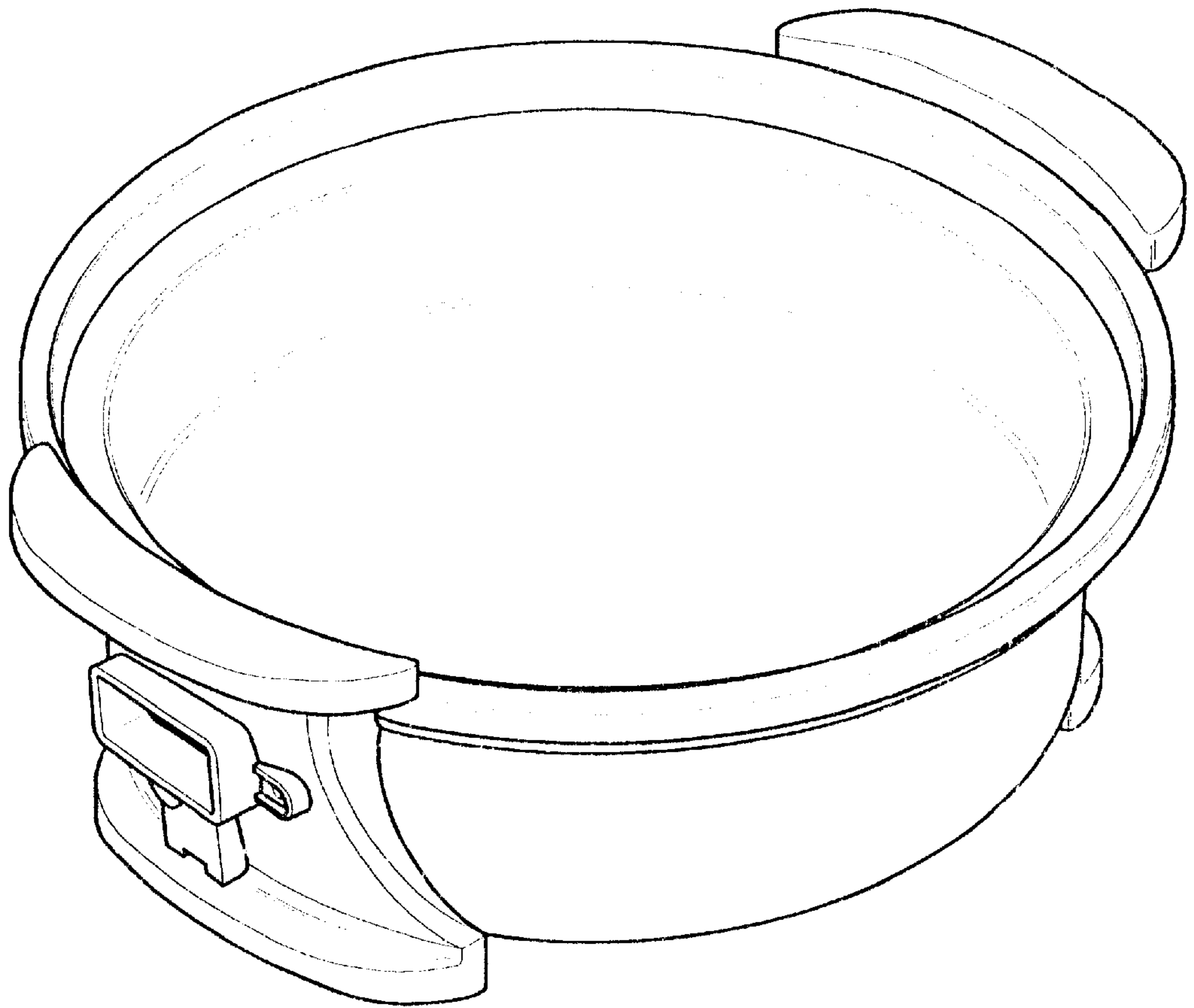


FIG. 2

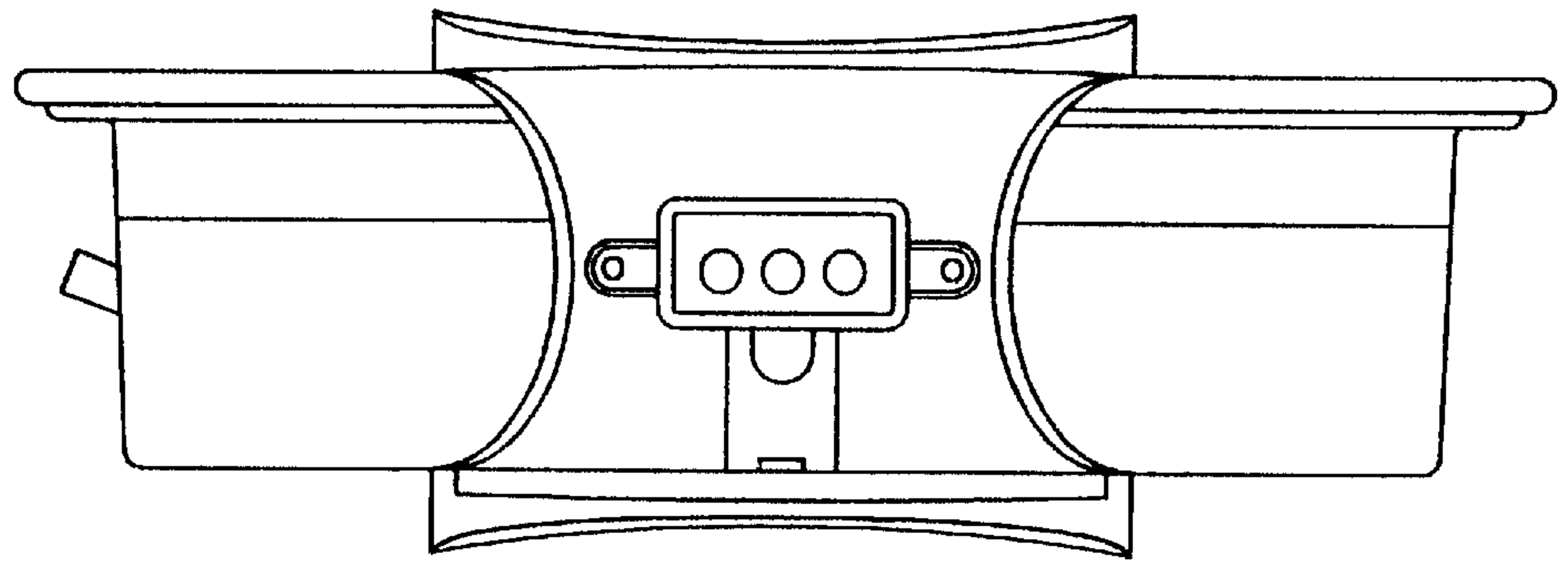


FIG. 3

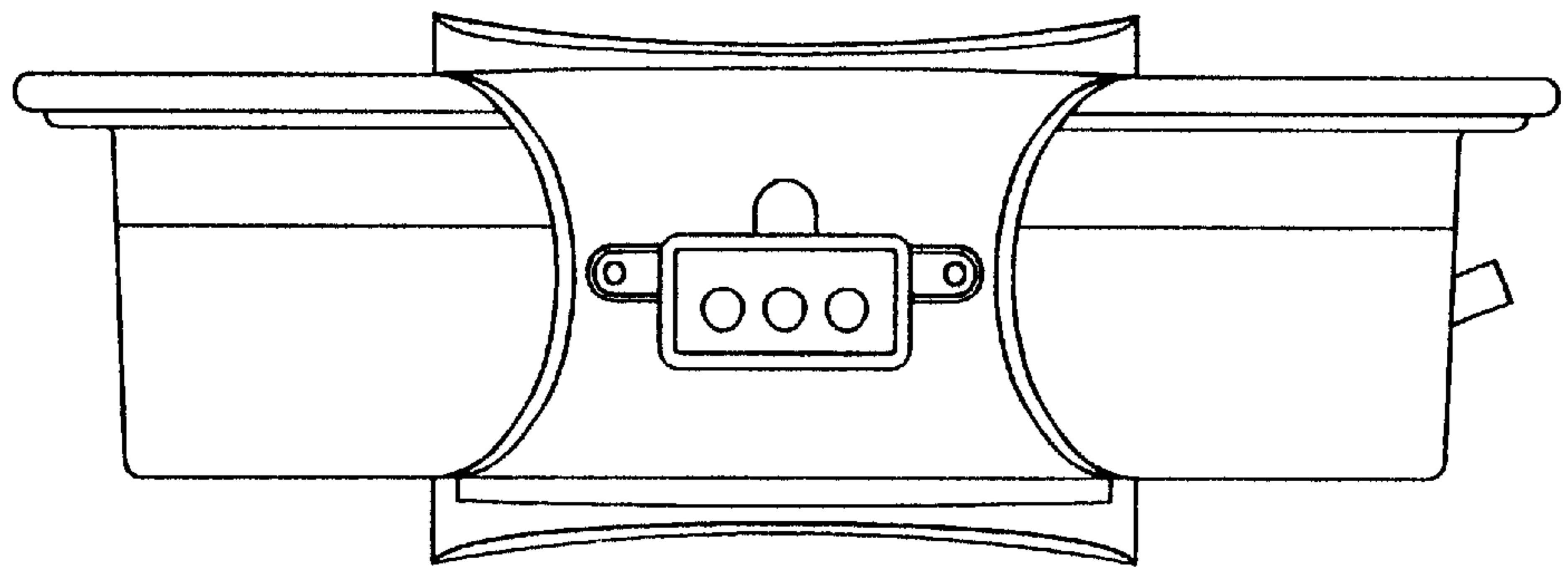


FIG. 4

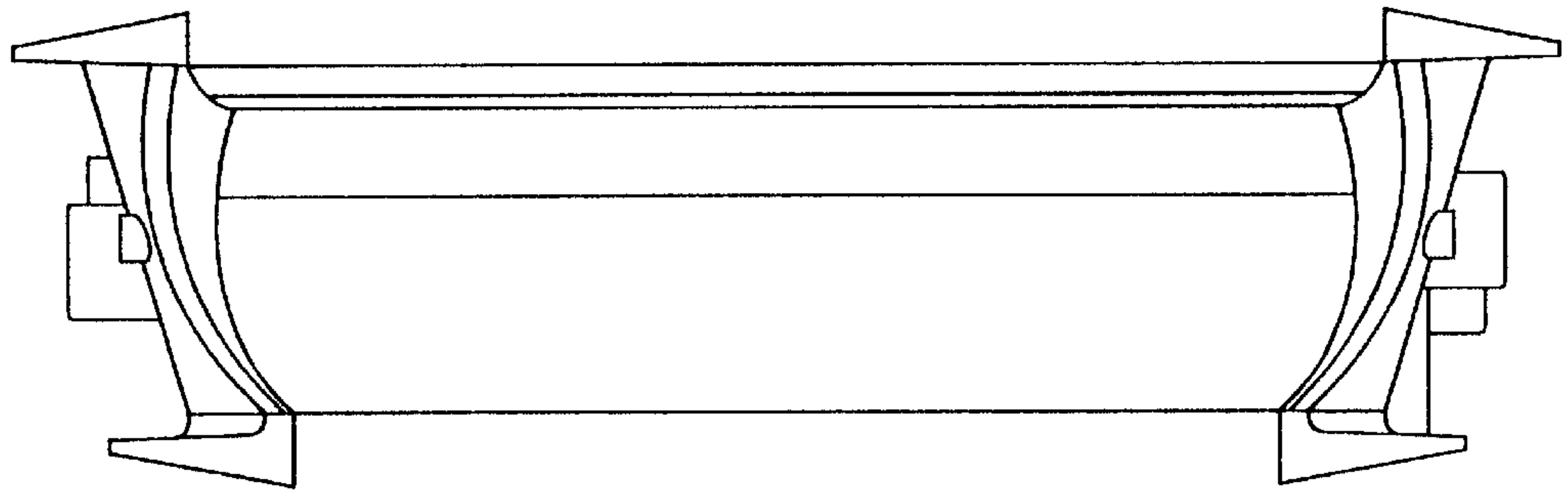


FIG. 5

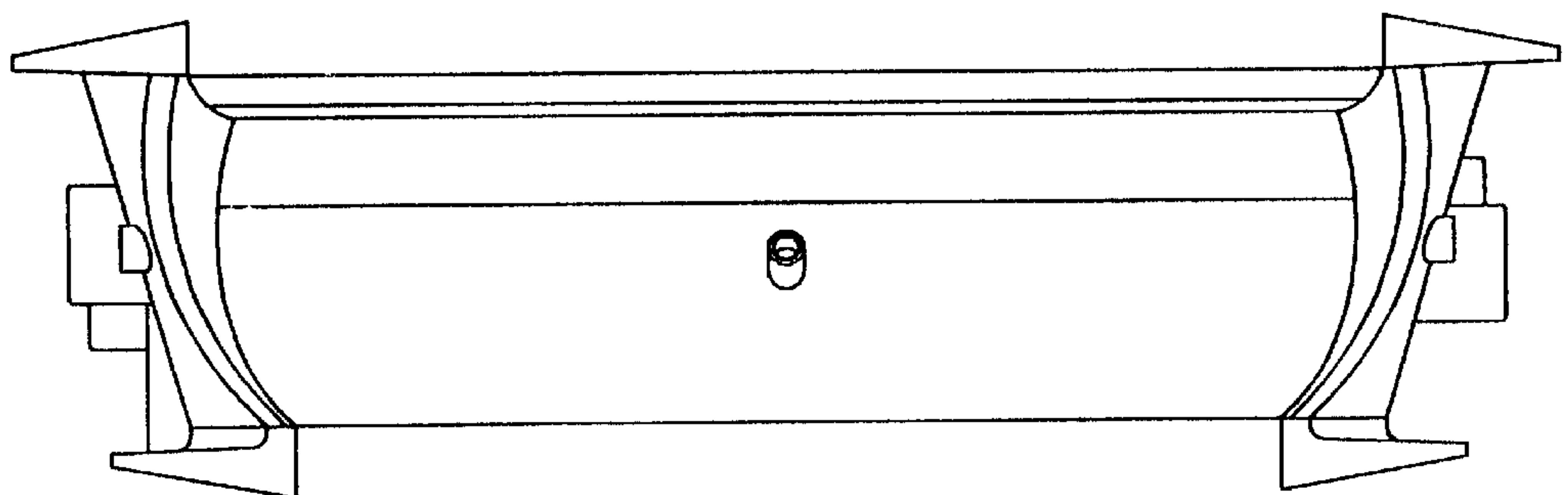


FIG. 6

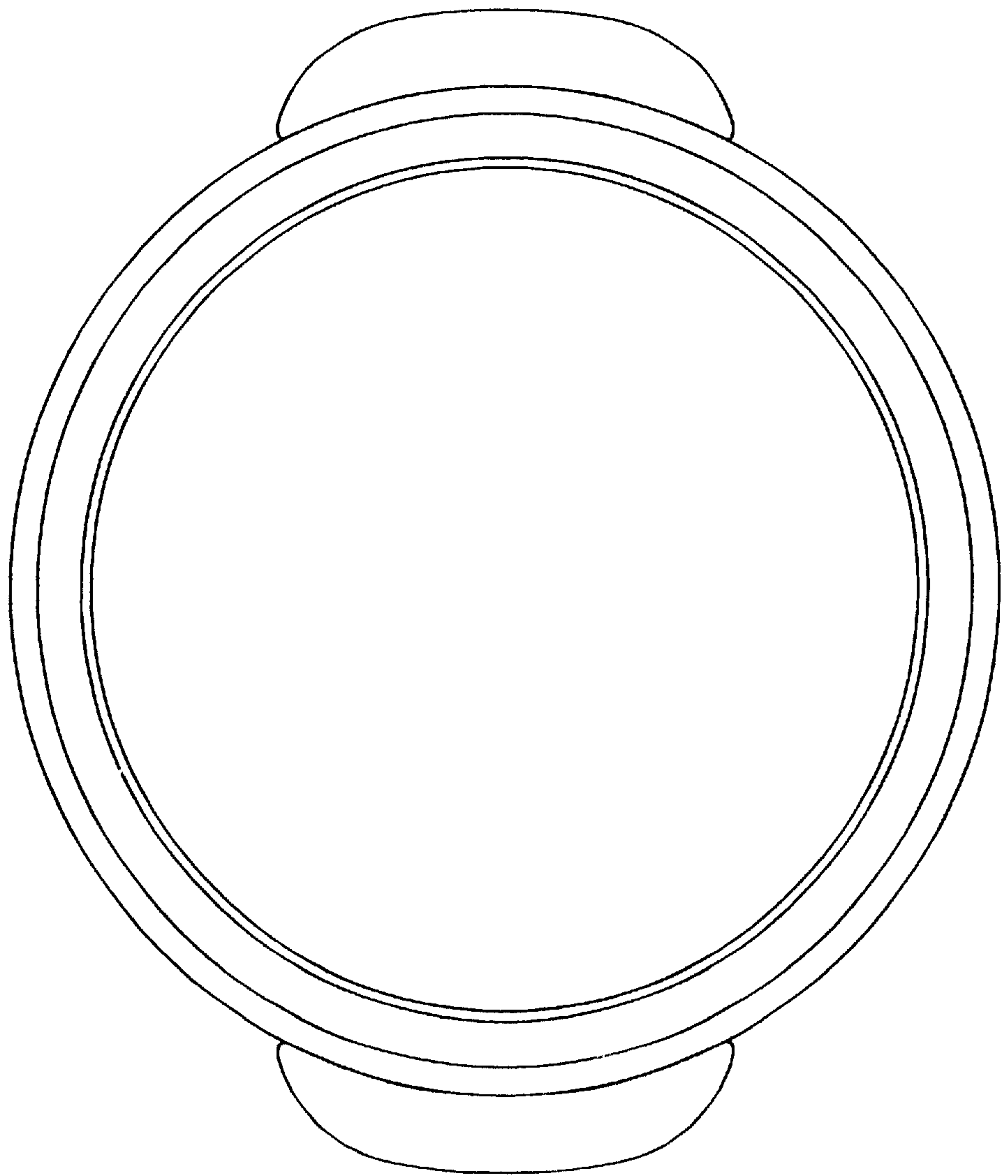


FIG. 7

