



US00D473746S

(12) **United States Design Patent**
Yeh

(10) **Patent No.:** **US D473,746 S**

(45) **Date of Patent:** **** Apr. 29, 2003**

(54) **CHARCOAL GRILL**

(75) Inventor: **Yuan-Hung Yeh, Taipei Hsien (TW)**

(73) Assignee: **Hens Specialty Co., Ltd., Taipei Hsien (TW)**

(**) Term: **14 Years**

(21) Appl. No.: **29/163,420**

(22) Filed: **Jul. 5, 2002**

(51) **LOC (7) Cl.** **07-02**

(52) **U.S. Cl.** **D7/337**

(58) **Field of Search** D7/332, 334, 335,
D7/336, 337, 402-404; 126/25 R, 25 A,
25 AA, 41 R, 29-30, 9 R, 38; 99/419 R

(56) **References Cited**

U.S. PATENT DOCUMENTS

- D270,420 S * 9/1983 Baugh D7/337
- 4,463,746 A * 8/1984 Knuth et al. 126/25 R
- D284,929 S * 8/1986 Schlosser et al. D7/332
- D376,510 S * 12/1996 Ting D7/332

D395,785 S * 7/1998 Lin D7/332

D420,546 S * 2/2000 Pai D7/332

D427,840 S * 7/2000 Pai D7/332

D459,629 S * 7/2002 Pai D7/332

D463,707 S * 10/2002 Bossler D7/332

* cited by examiner

Primary Examiner—Ruth McInroy

(57) **CLAIM**

The ornamental design for a charcoal grill, as shown and described.

DESCRIPTION

FIG. 1 is a perspective view of a charcoal grill showing my new design;

FIG. 2 is a front view thereof;

FIG. 3 is a back view thereof;

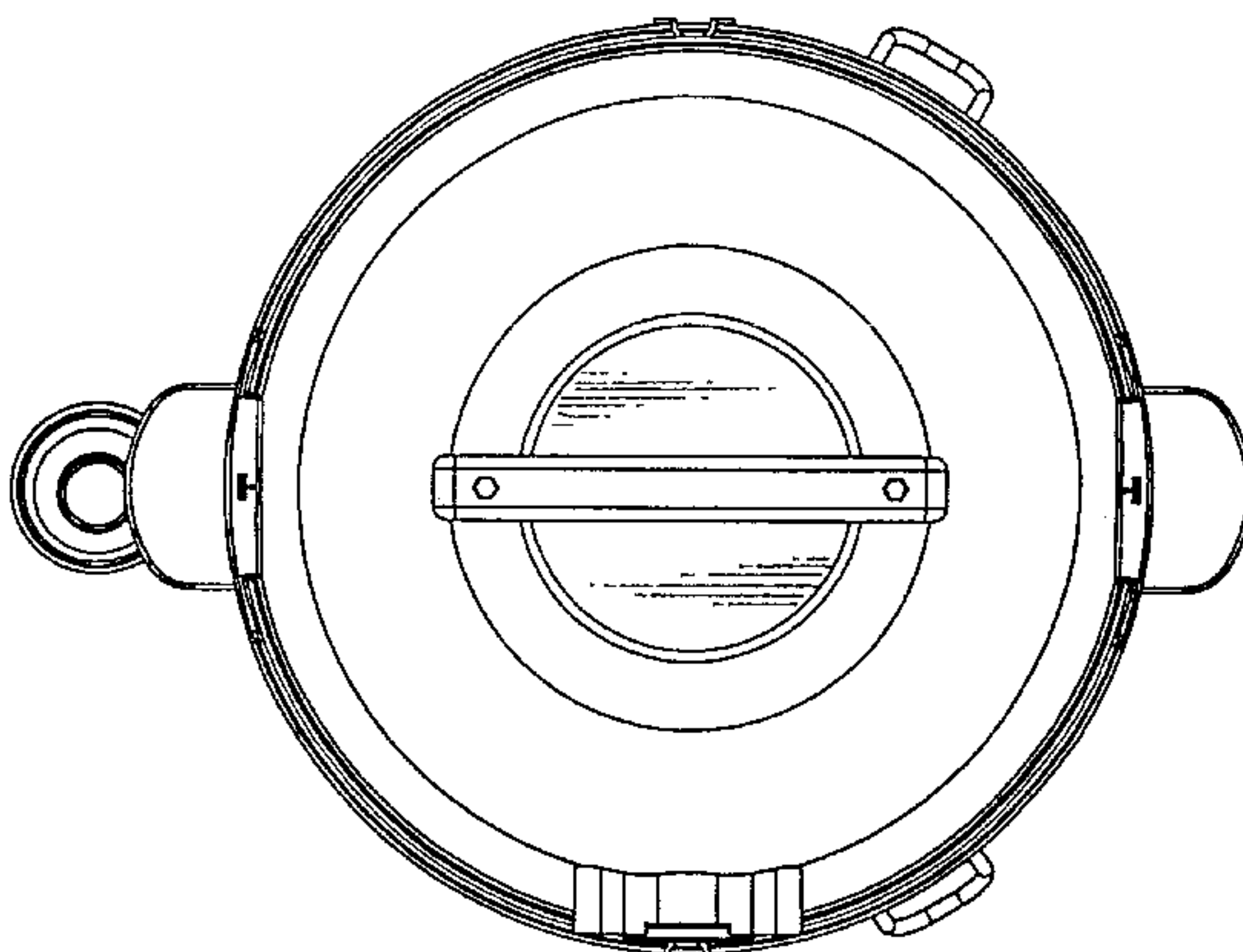
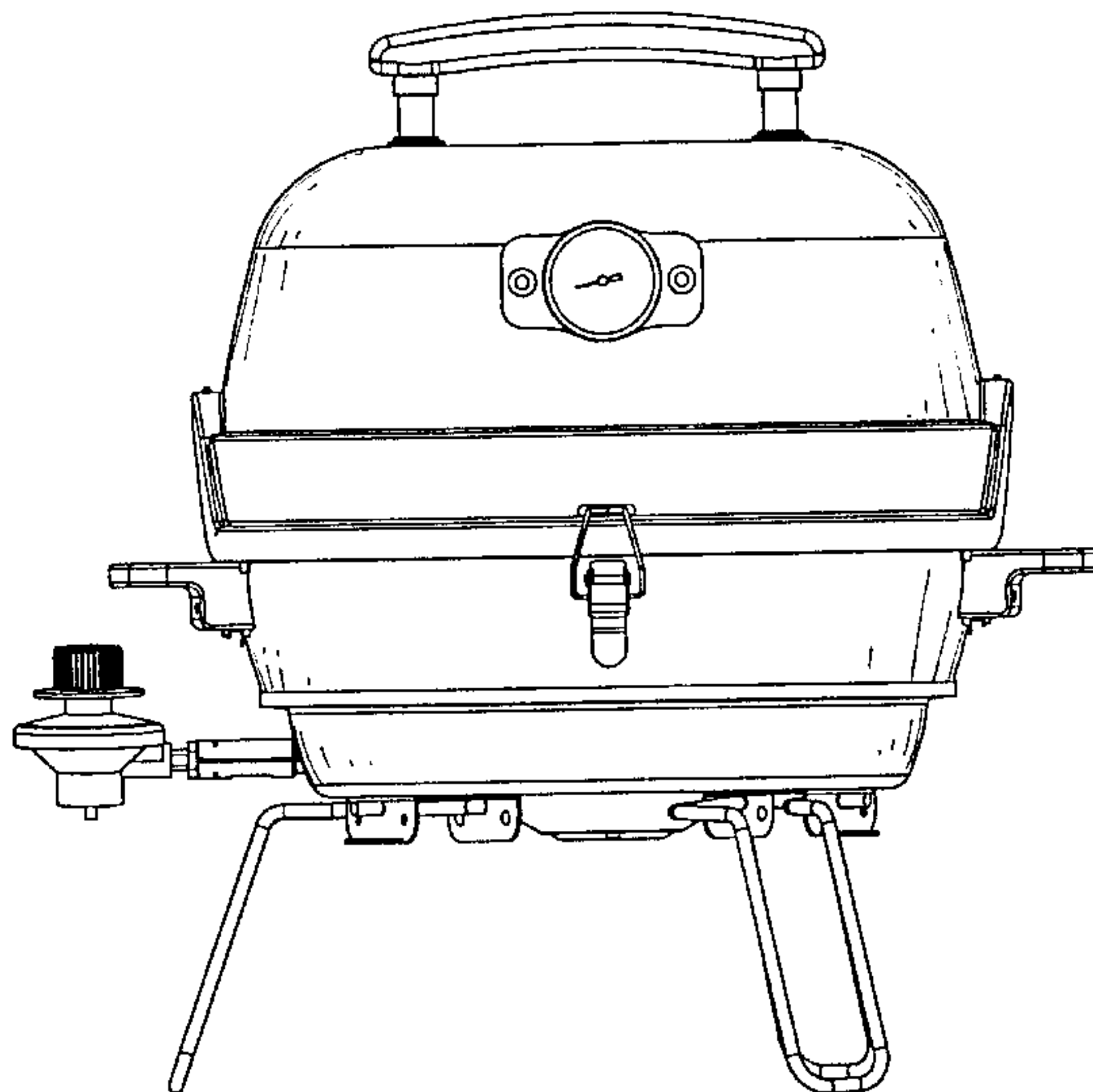
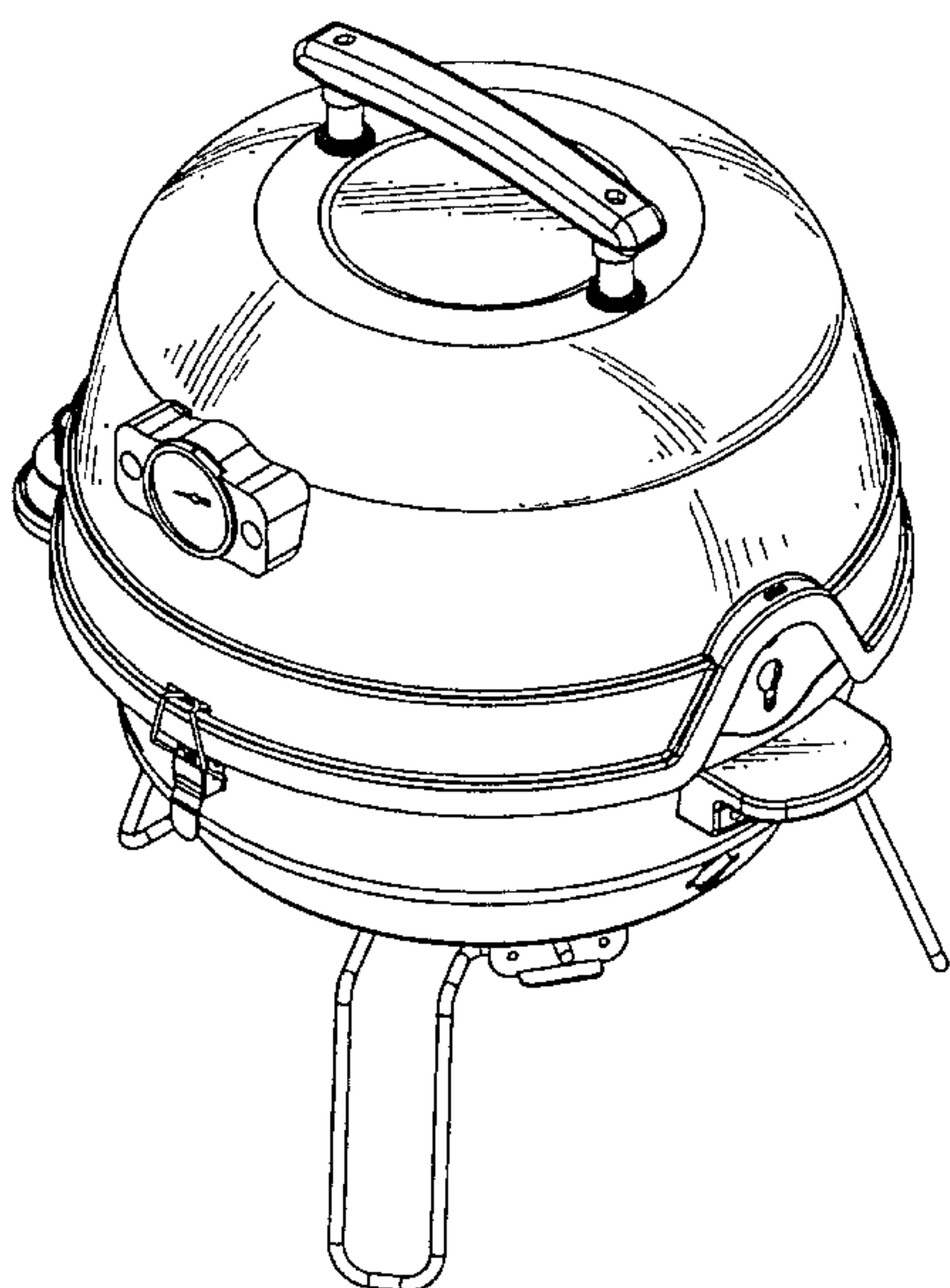
FIG. 4 is a left side view thereof;

FIG. 5 is a right side view thereof;

FIG. 6 is a top view thereof; and,

FIG. 7 is a bottom view thereof.

1 Claim, 7 Drawing Sheets



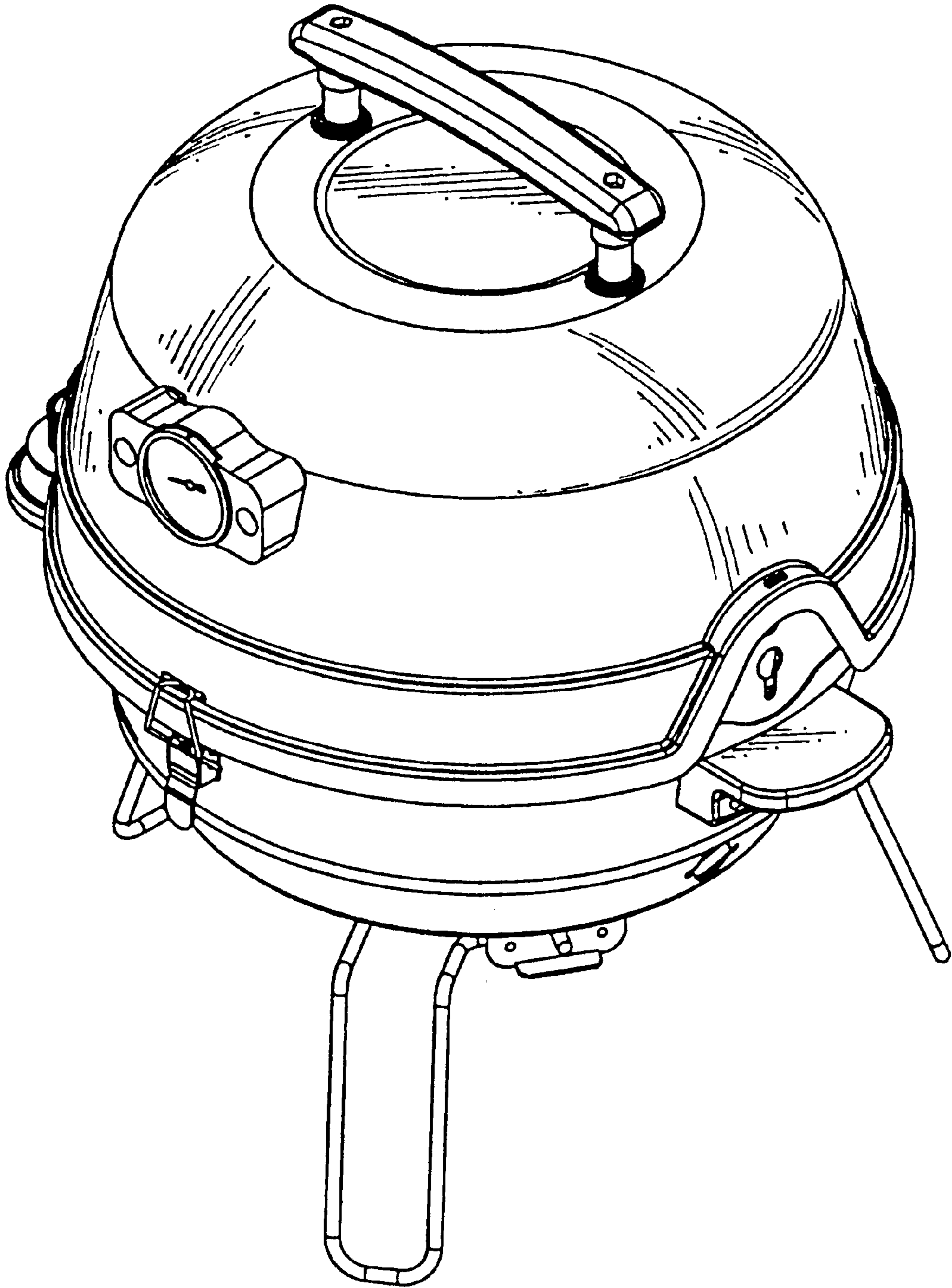


Fig. 1

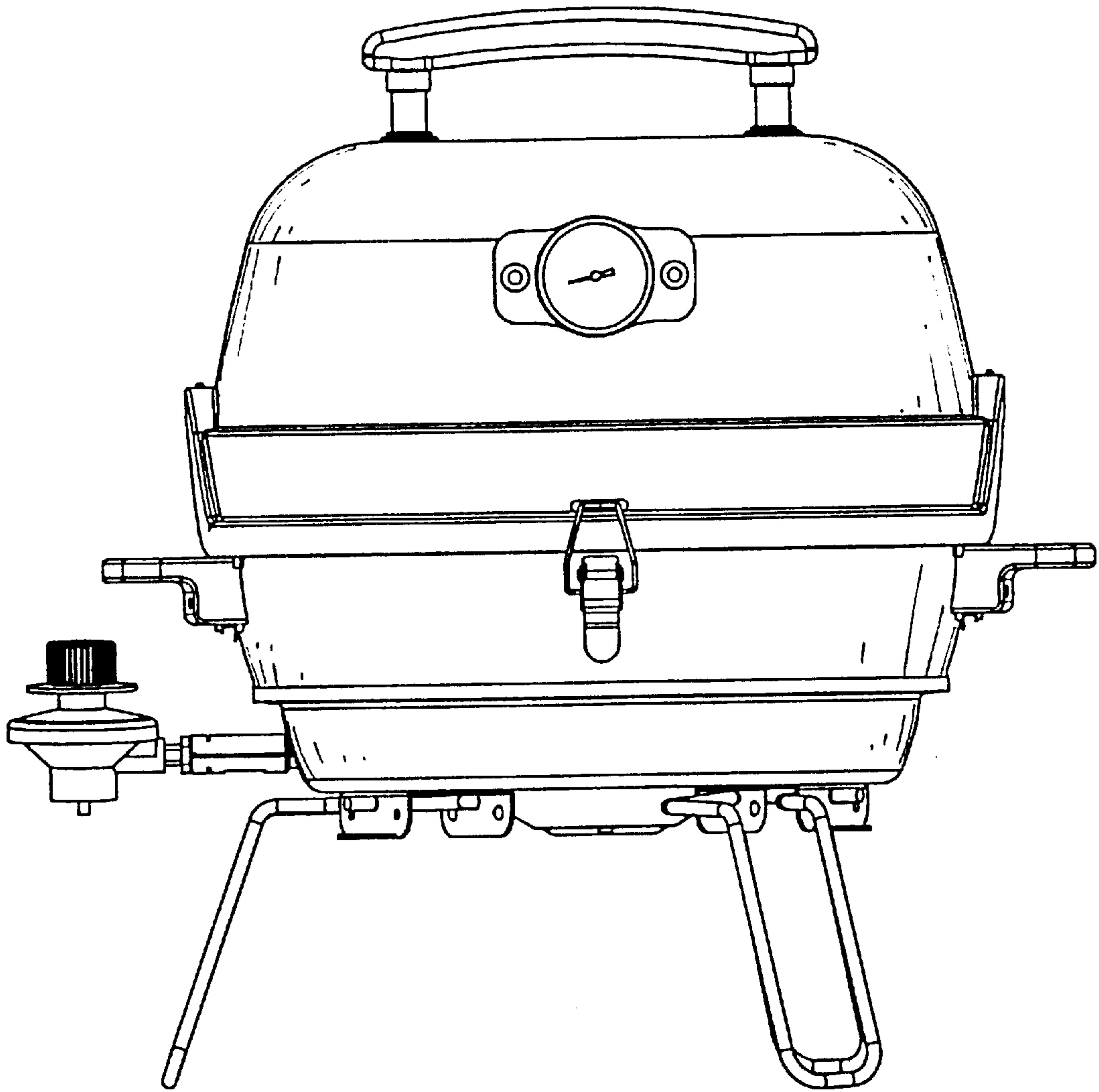


Fig. 2

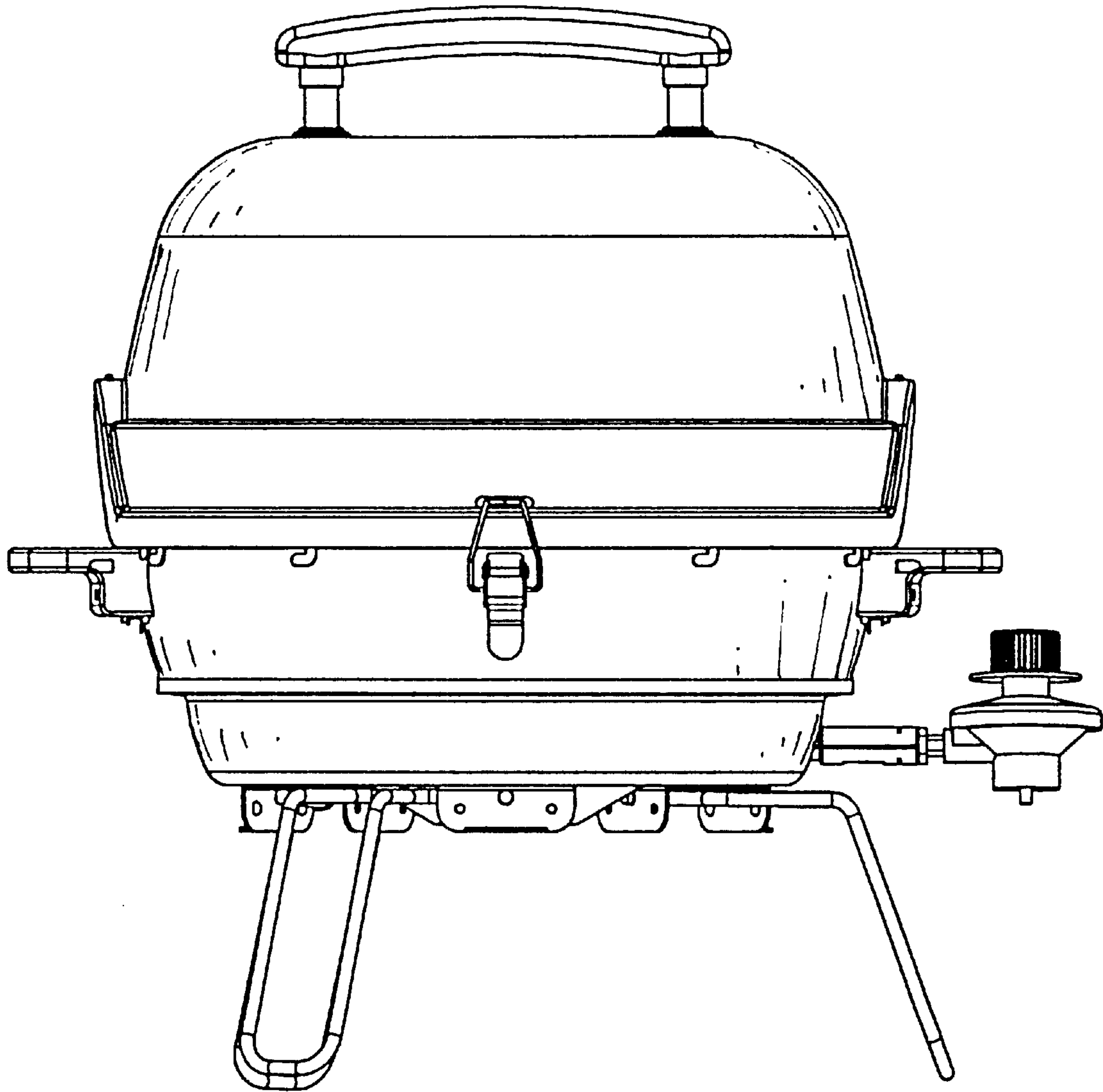


Fig. 3

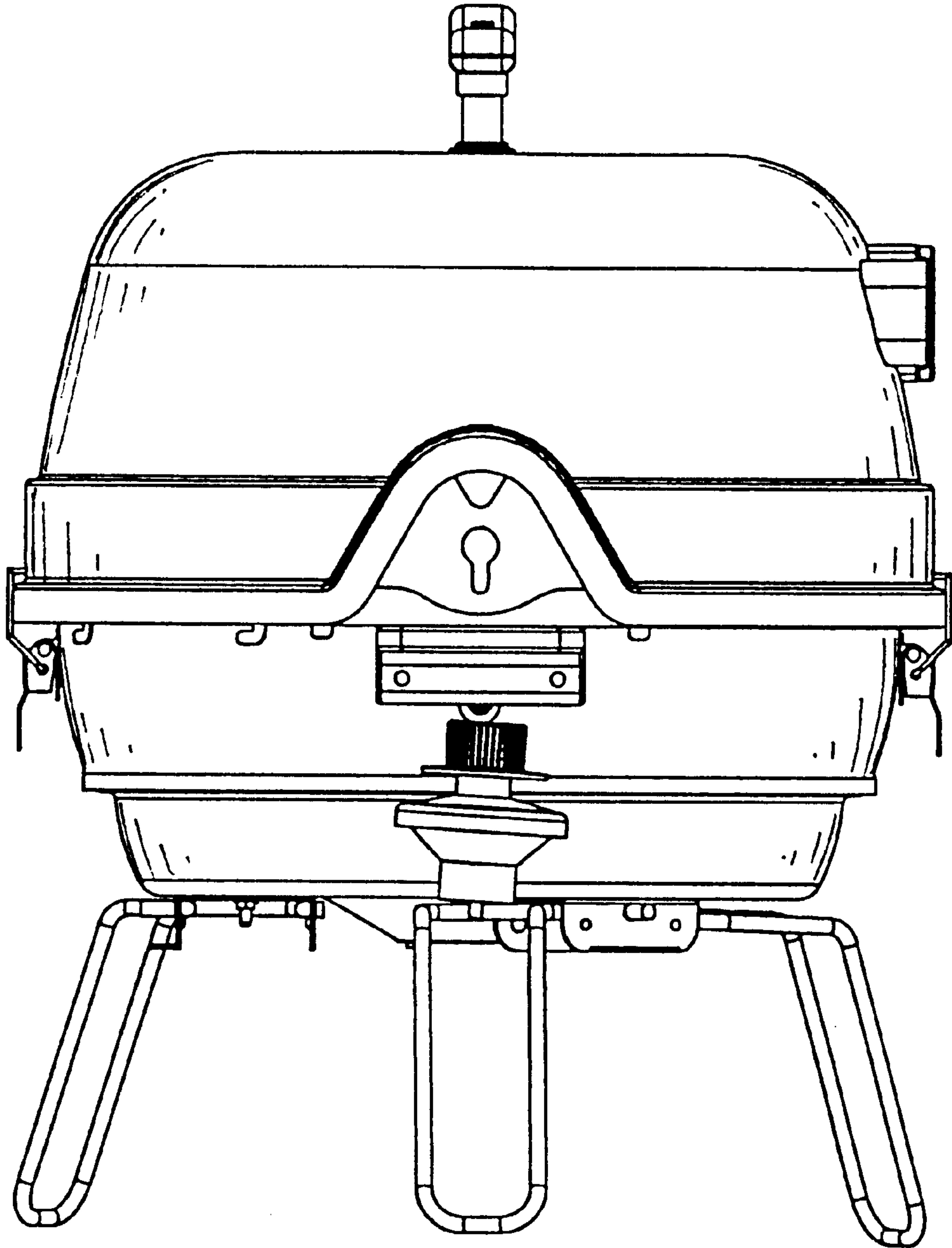


Fig. 4

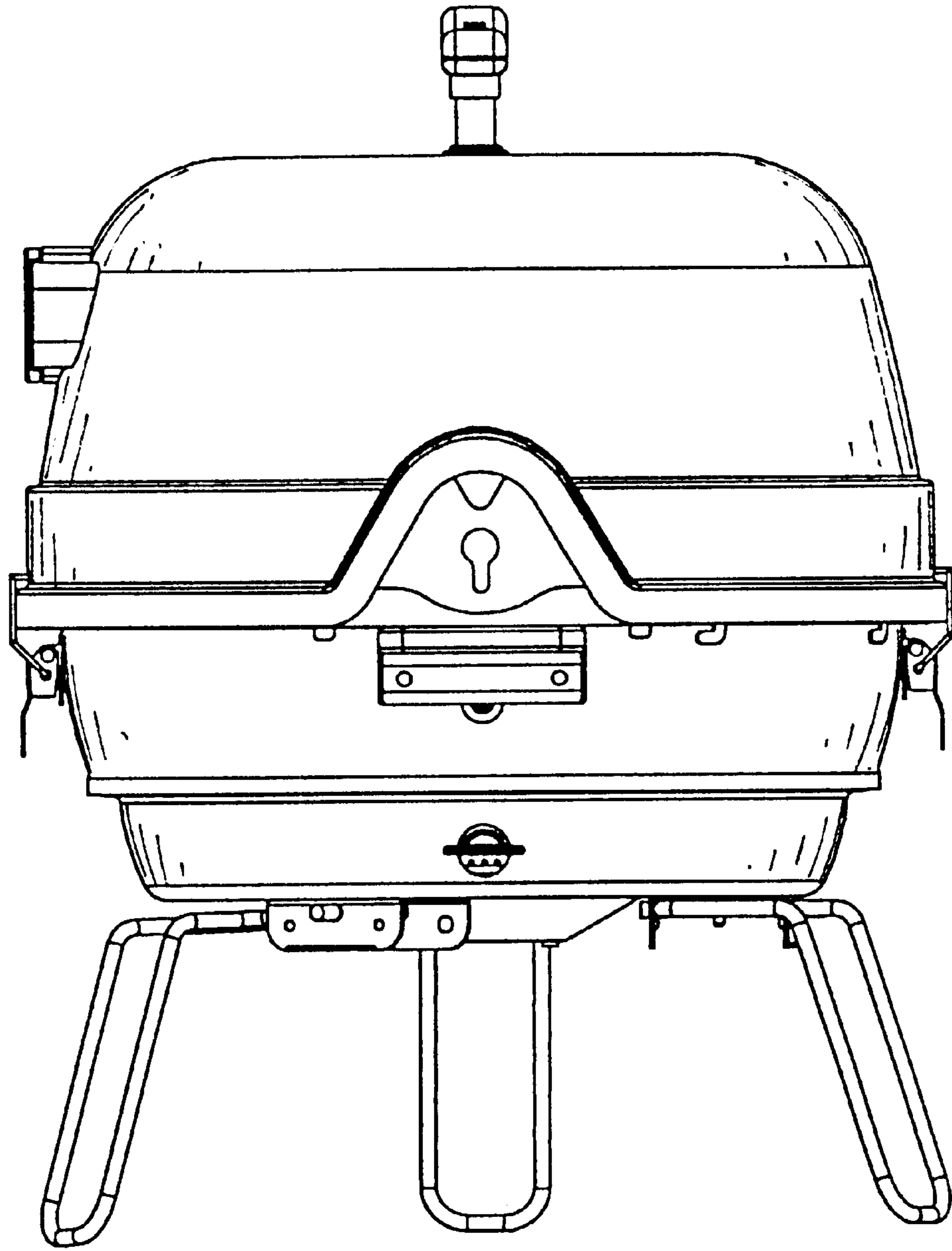


Fig. 5

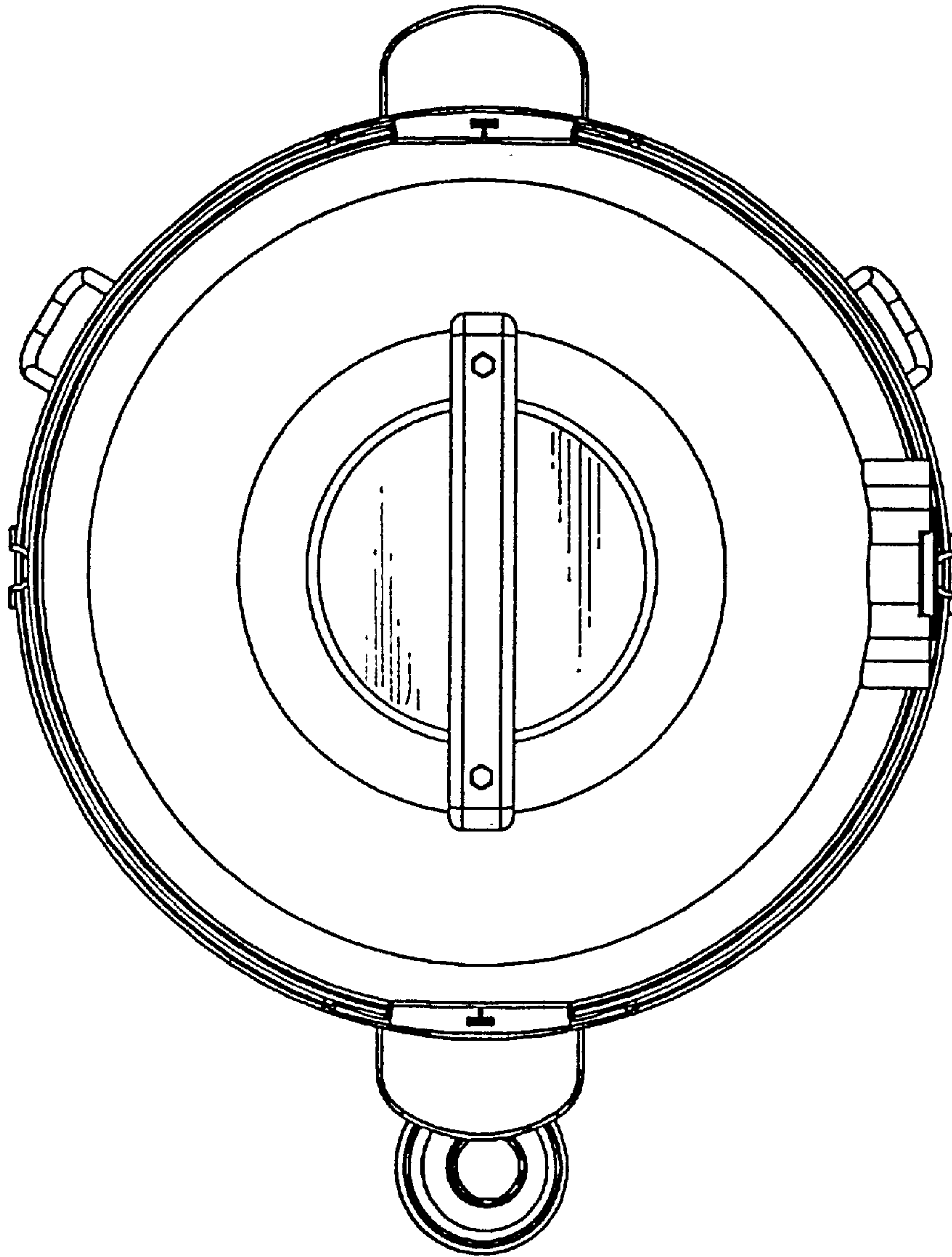


Fig. 6

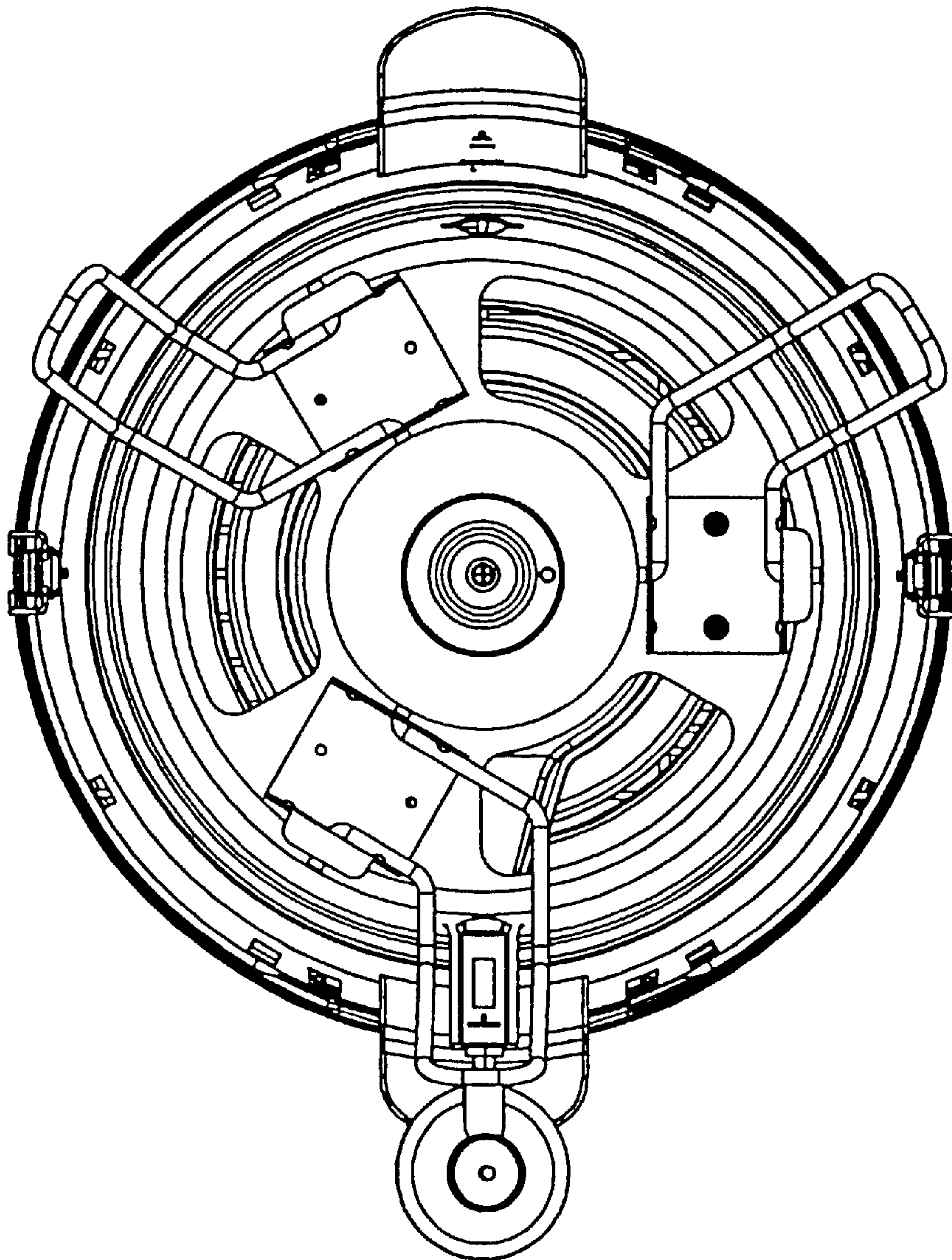


Fig. 7