



US00D473739S

(12) **United States Design Patent**
Lenger

(10) **Patent No.:** **US D473,739 S**

(45) **Date of Patent:** **** Apr. 29, 2003**

(54) **CARVED URN FURNITURE ADORNMENT**

(75) Inventor: **Sidney A. Lenger**, Kernersville, NC
(US)

(73) Assignee: **Schottenstein Stores Corporation**,
Columbus, OH (US)

(**) Term: **14 Years**

(21) Appl. No.: **29/159,497**

(22) Filed: **Apr. 23, 2002**

Related U.S. Application Data

(62) Division of application No. 29/149,866, filed on Oct. 17,
2001, now Pat. No. Des. 462,848.

(51) **LOC (7) Cl.** **06-06**

(52) **U.S. Cl.** **D6/503; D6/505**

(58) **Field of Search** D6/382, 388, 389,
D6/392-395, 505-508, 503, 491, 495, 580;
5/53.1, 279.1, 280, 281, 310, 907; D26/154;
D8/378

(56) **References Cited**

U.S. PATENT DOCUMENTS

D26,901 S * 4/1897 Chesson D6/503

D230,948 S * 3/1974 Moon D8/378
D353,950 S 1/1995 Ferguson D6/393
D435,357 S 12/2000 Craig D6/389
D443,433 S * 6/2001 McDaniel et al. D6/393
D450,198 S 11/2001 McDaniel et al. D6/393
D462,848 S * 9/2002 Lenger D6/393

* cited by examiner

Primary Examiner—Janice E. Seeger

(74) *Attorney, Agent, or Firm*—Wood, Herron & Evans
LLP

(57) **CLAIM**

The ornamental design for the carved urn furniture adornment, as shown and described.

DESCRIPTION

FIG. 1 is a front elevational view of my new design for a carved urn furniture adornment, showing it adorning the upper end of a bed headboard post.

FIG. 2 is a left-side elevational view thereof.

FIG. 3 is a rear elevational view thereof.

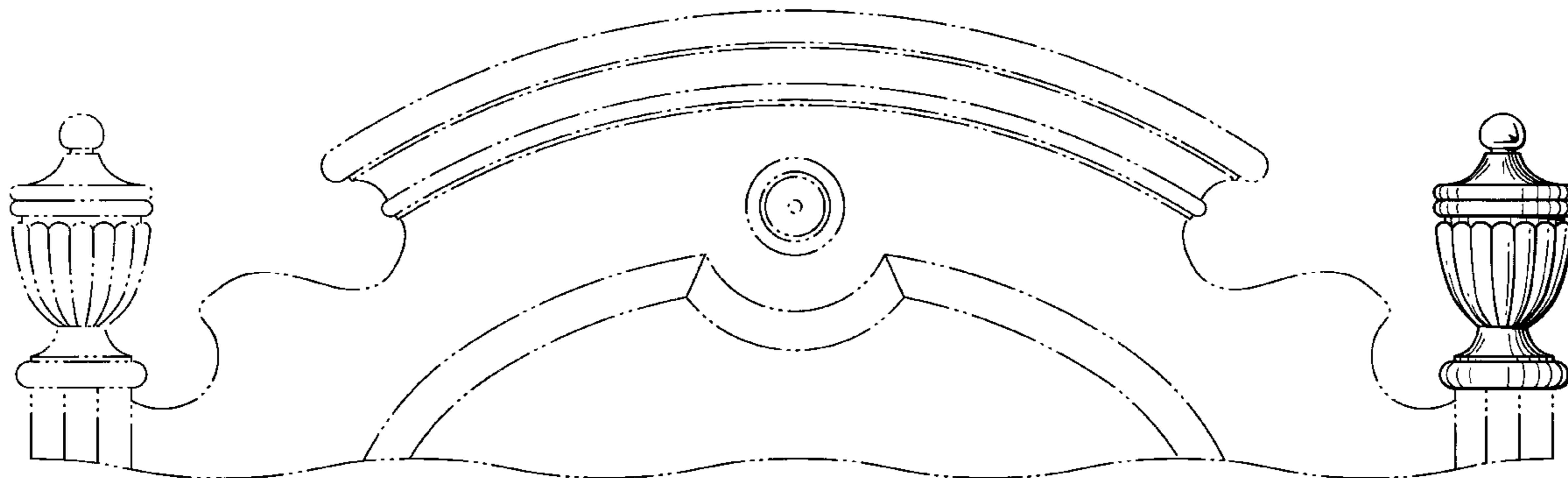
FIG. 4 is a right-side elevational view thereof.

FIG. 5 is a top plan view thereof; and,

FIG. 6 is a bottom plan view thereof.

The broken line elements of the bed are for illustrative purposes only, and form no part of the claimed design.

1 Claim, 3 Drawing Sheets



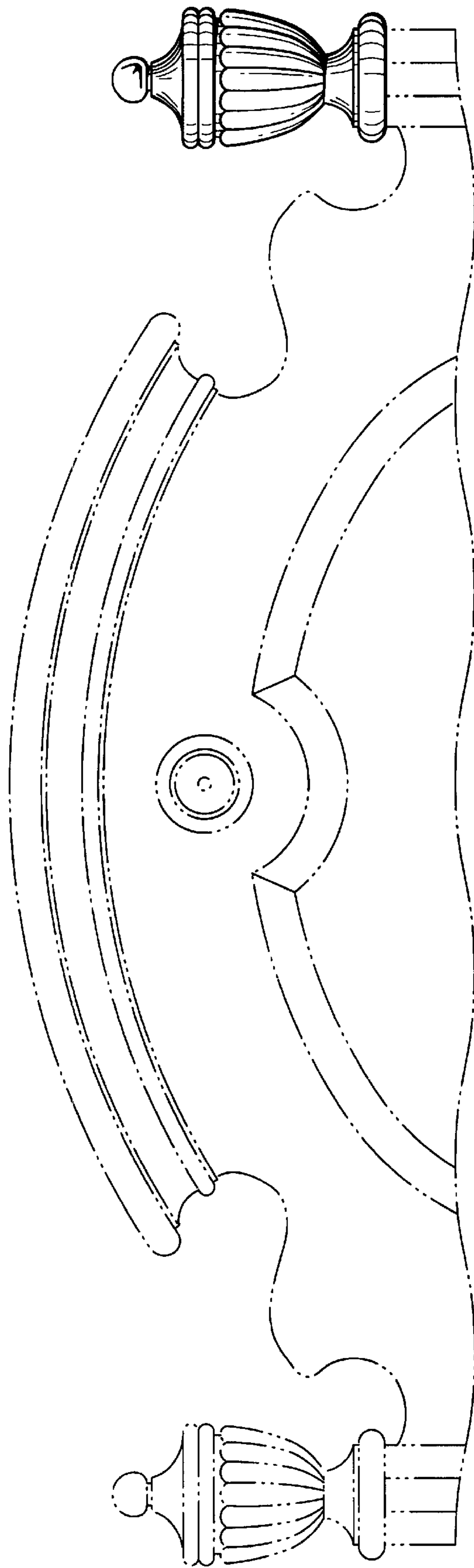


FIG. 1

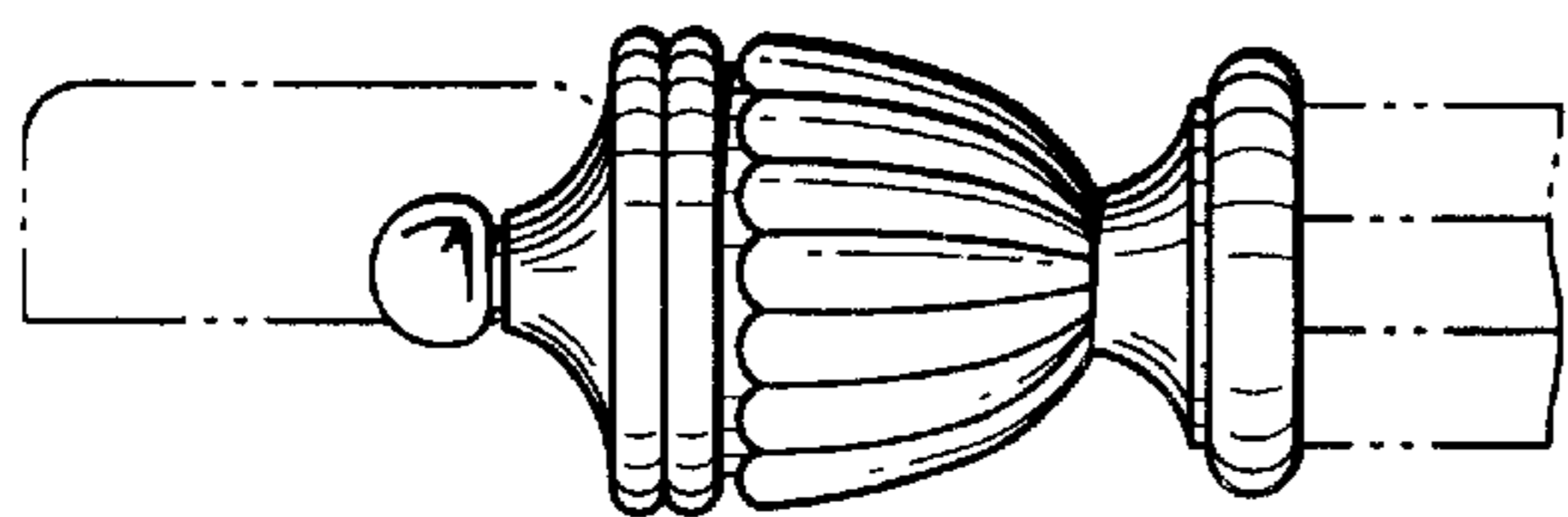


FIG. 2

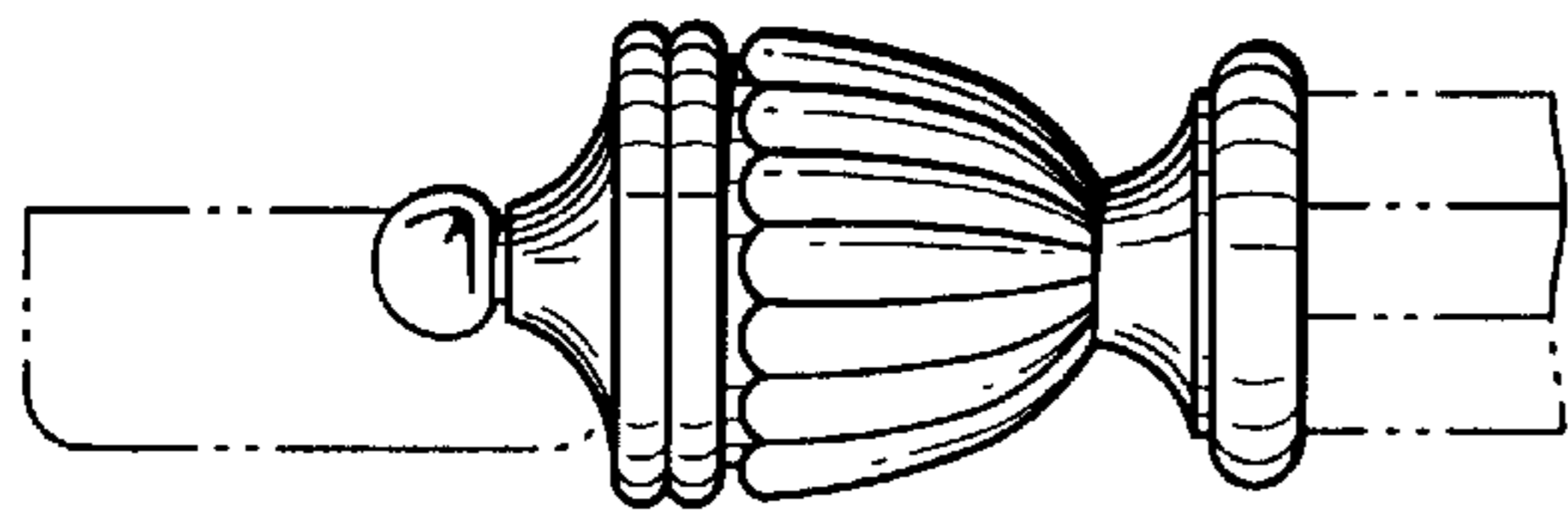


FIG. 4

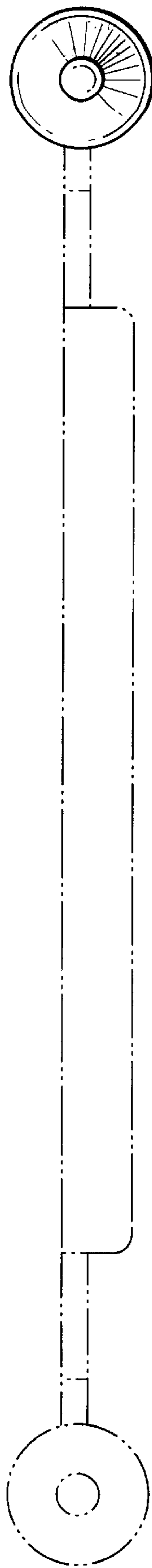


FIG. 5

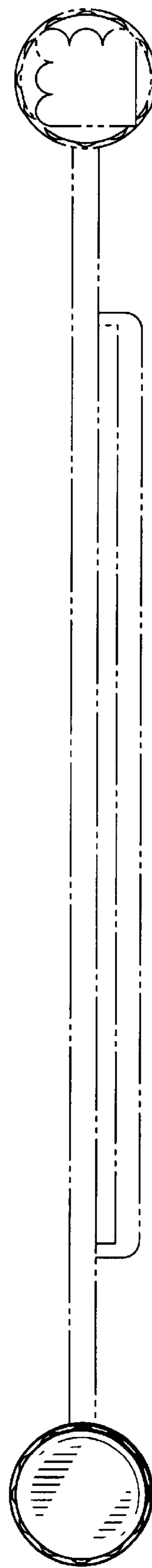


FIG. 6

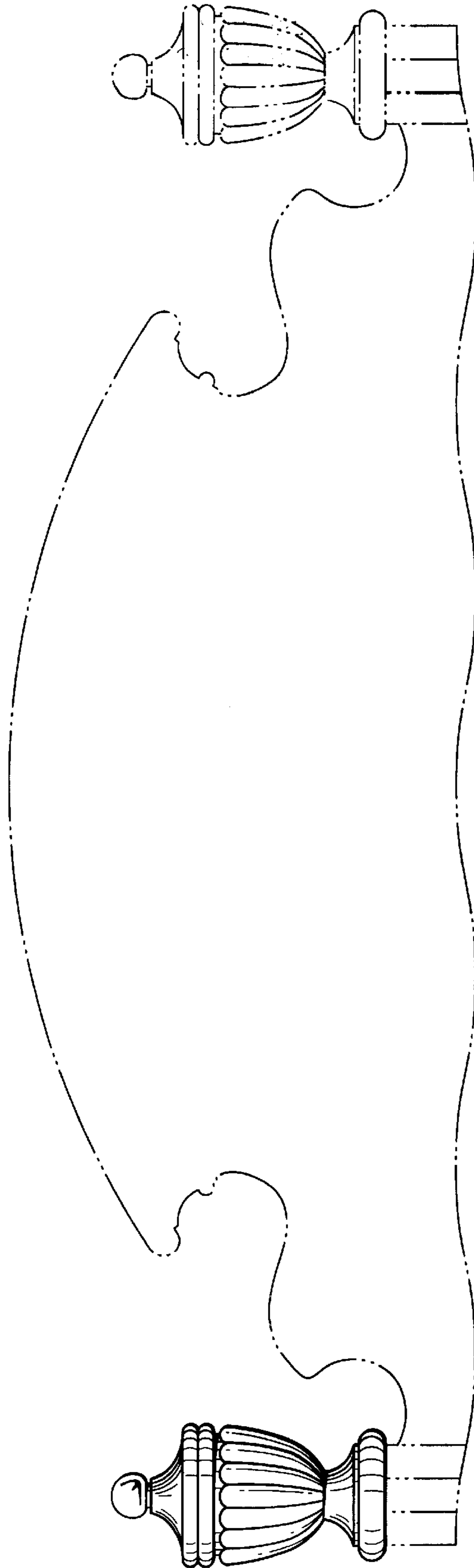


FIG. 3