



US00D473737S

(12) **United States Design Patent**  
**Klaesener et al.**

(10) **Patent No.:** **US D473,737 S**

(45) **Date of Patent:** **\*\* Apr. 29, 2003**

(54) **CONTROL MECHANISM FOR A CHAIR**

(75) Inventors: **Michael Klaesener**, Waldshut (DE);  
**Mathias Seiler**, Loerrach (DE)

(73) Assignee: **Sedus Stoll AG**, Waldshut (DE)

(\*\*) Term: **14 Years**

(21) Appl. No.: **29/140,237**

(22) Filed: **Apr. 16, 2001**

(51) **LOC (7) Cl.** ..... **06-06**

(52) **U.S. Cl.** ..... **D6/500**

(58) **Field of Search** ..... D6/334, 335, 364,  
D6/365, 366, 367, 500, 501, 502; 248/161,  
578; 297/344.18, 344.19, 344.21

(56) **References Cited**

**U.S. PATENT DOCUMENTS**

D285,633 S \* 9/1986 Doerner ..... D6/500  
D289,119 S \* 4/1987 Opsvik ..... D6/500

D289,591 S \* 5/1987 Groseth ..... D6/500  
D364,044 S \* 11/1995 Proietto et al. .... D6/366  
D433,834 S \* 11/2000 Neil ..... D6/366  
D446,955 S \* 8/2001 Zemp ..... D6/366

\* cited by examiner

*Primary Examiner*—Gary D. Watson

(74) *Attorney, Agent, or Firm*—Oblon, Spivak, McClelland,  
Maier & Neustadt, P.C.

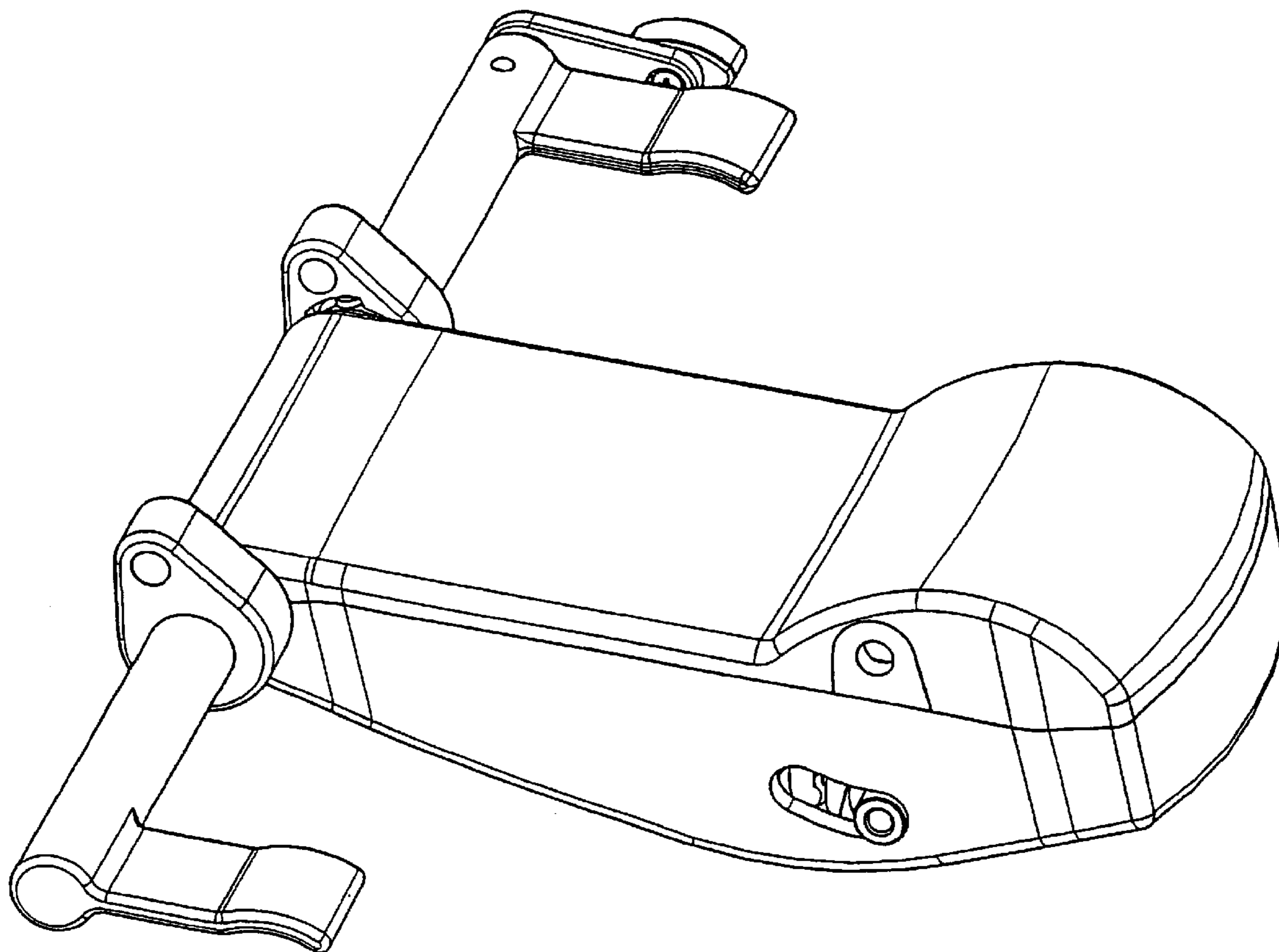
(57) **CLAIM**

The ornamental design for control mechanism for a chair, as shown.

**DESCRIPTION**

FIG. 1 is a top, front and left side perspective view of control mechanism for a chair showing our design; FIG. 2 is a right side elevational view thereof; FIG. 3 is a left side elevational view thereof; FIG. 4 is a top plan view thereof; and, FIG. 5 is a front elevational view thereof.

**1 Claim, 5 Drawing Sheets**



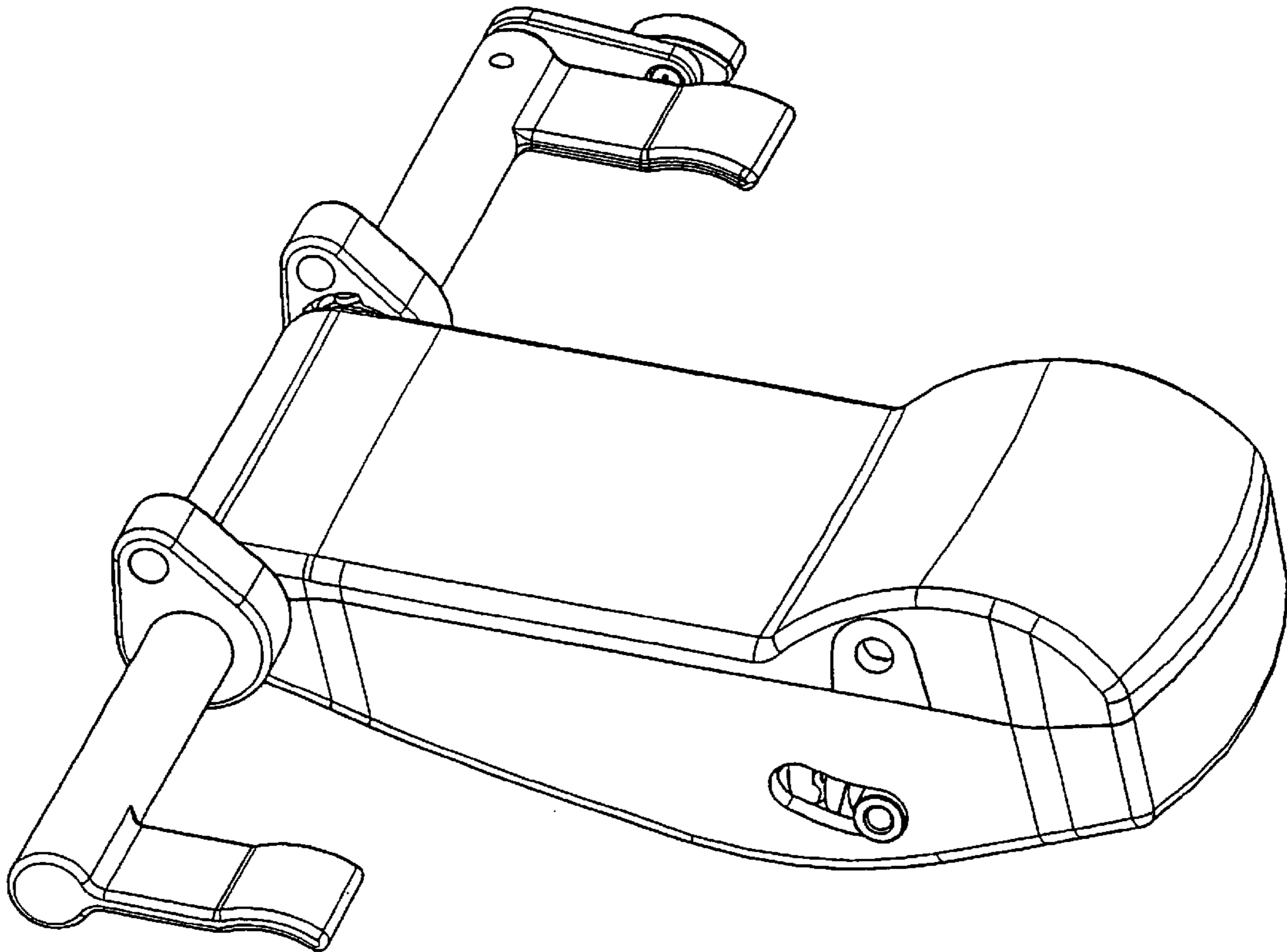
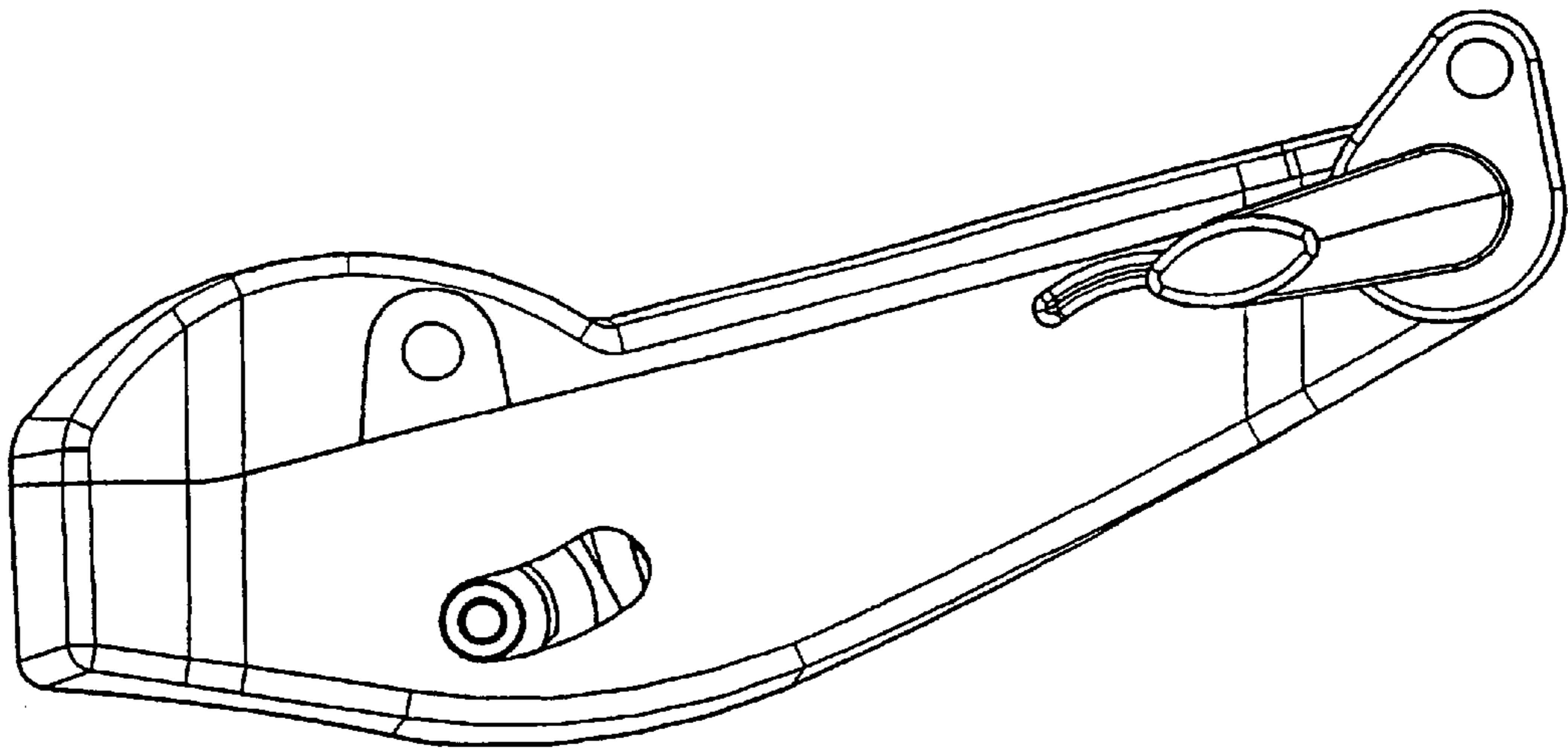
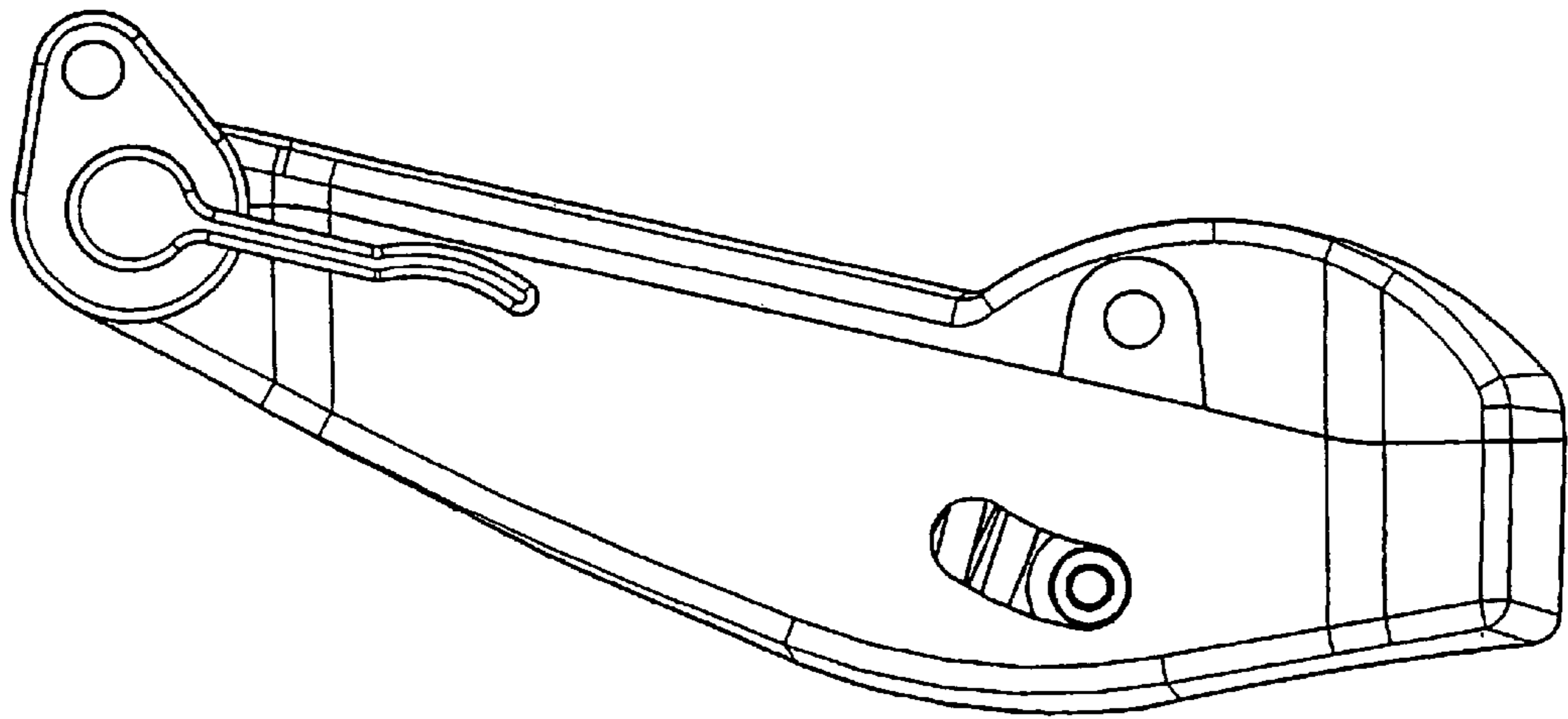


Fig. 1



**Fig. 2**



**Fig. 3**

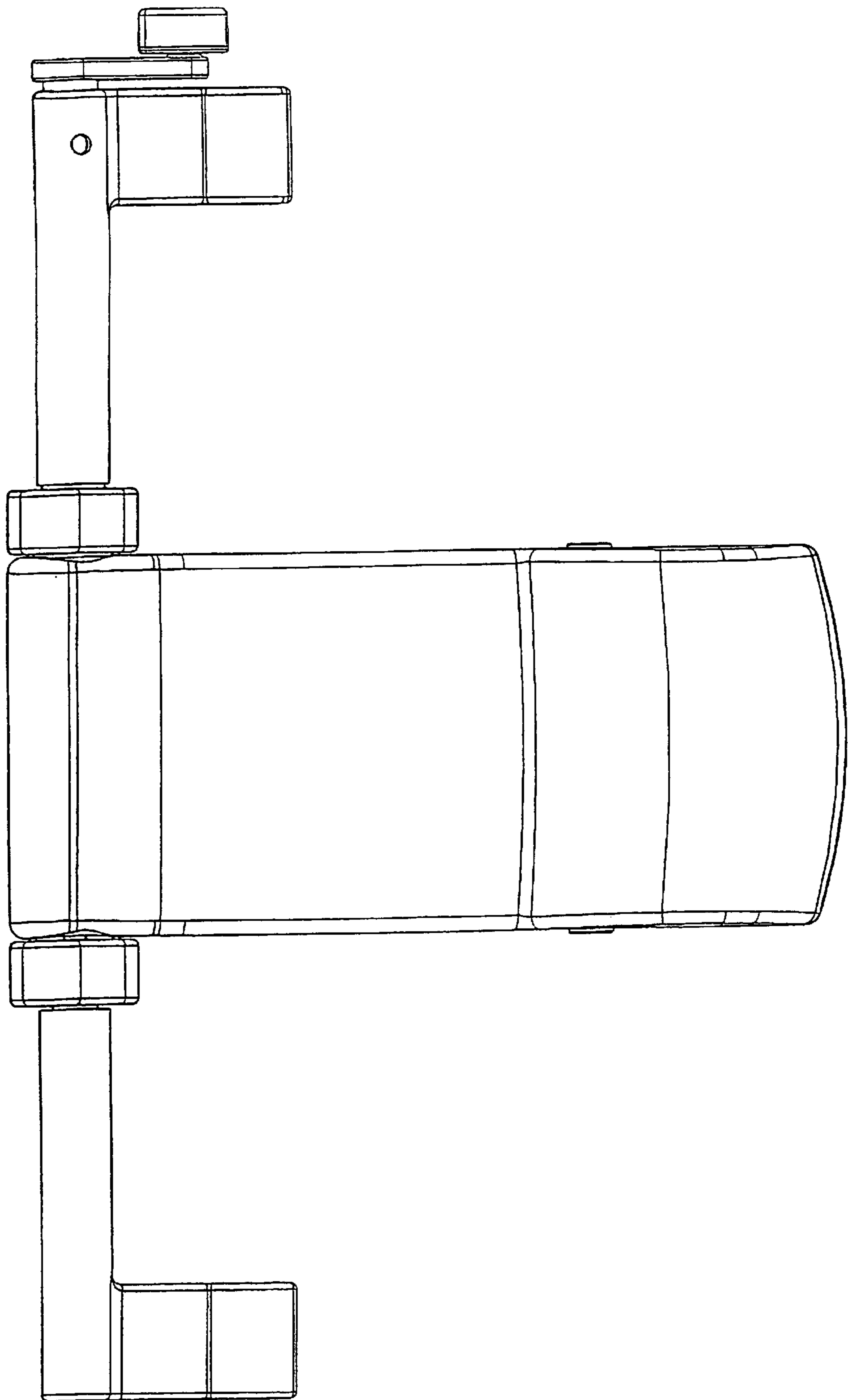


Fig. 4

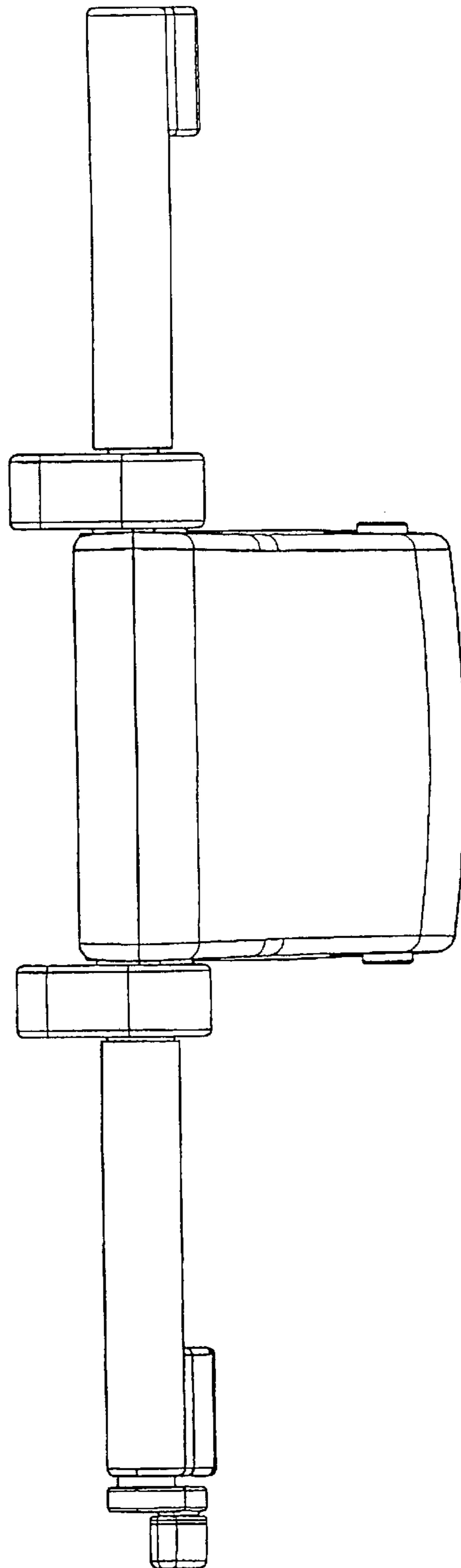


Fig. 5