



US00D473735S

(12) **United States Design Patent**
Moore

(10) **Patent No.:** **US D473,735 S**

(45) **Date of Patent:** **** Apr. 29, 2003**

(54) **RECTANGULAR FOLDING TABLE**

D441,554 S * 5/2001 Holm D6/349
D455,918 S * 4/2002 Moore D6/487

(76) Inventor: **Thomas J. Moore**, 208 W. Highway
95, Parma, ID (US) 83660

(**) Term: **14 Years**

(21) Appl. No.: **29/155,916**

(22) Filed: **Feb. 19, 2002**

Related U.S. Application Data

(63) Continuation-in-part of application No. 29/135,345, filed on
Jan. 9, 2001, now Pat. No. Des. 455,918.

(51) **LOC (7) Cl.** **06-03**

(52) **U.S. Cl.** **D6/487; D6/480**

(58) **Field of Search** D6/480-489, 495-499,
D6/429-431; 108/153.1, 155, 156, 157.1,
161; 248/188, 188.1, 188.8

(56) **References Cited**

U.S. PATENT DOCUMENTS

2,882,110 A 4/1959 Mutchnik 108/156
3,228,359 A 1/1966 Rich 248/188
D376,712 S 12/1996 Mezger D6/487

OTHER PUBLICATIONS

Pictures of Tables, including an embodiment of the subject
invention, and Brand X (unknown).
Cosco, p. 6., table in center.

* cited by examiner

Primary Examiner—Janice E. Seeger
(74) *Attorney, Agent, or Firm*—Pedersen & Co., PLLC;
Ken J. Pedersen; Barbara S. Pedersen

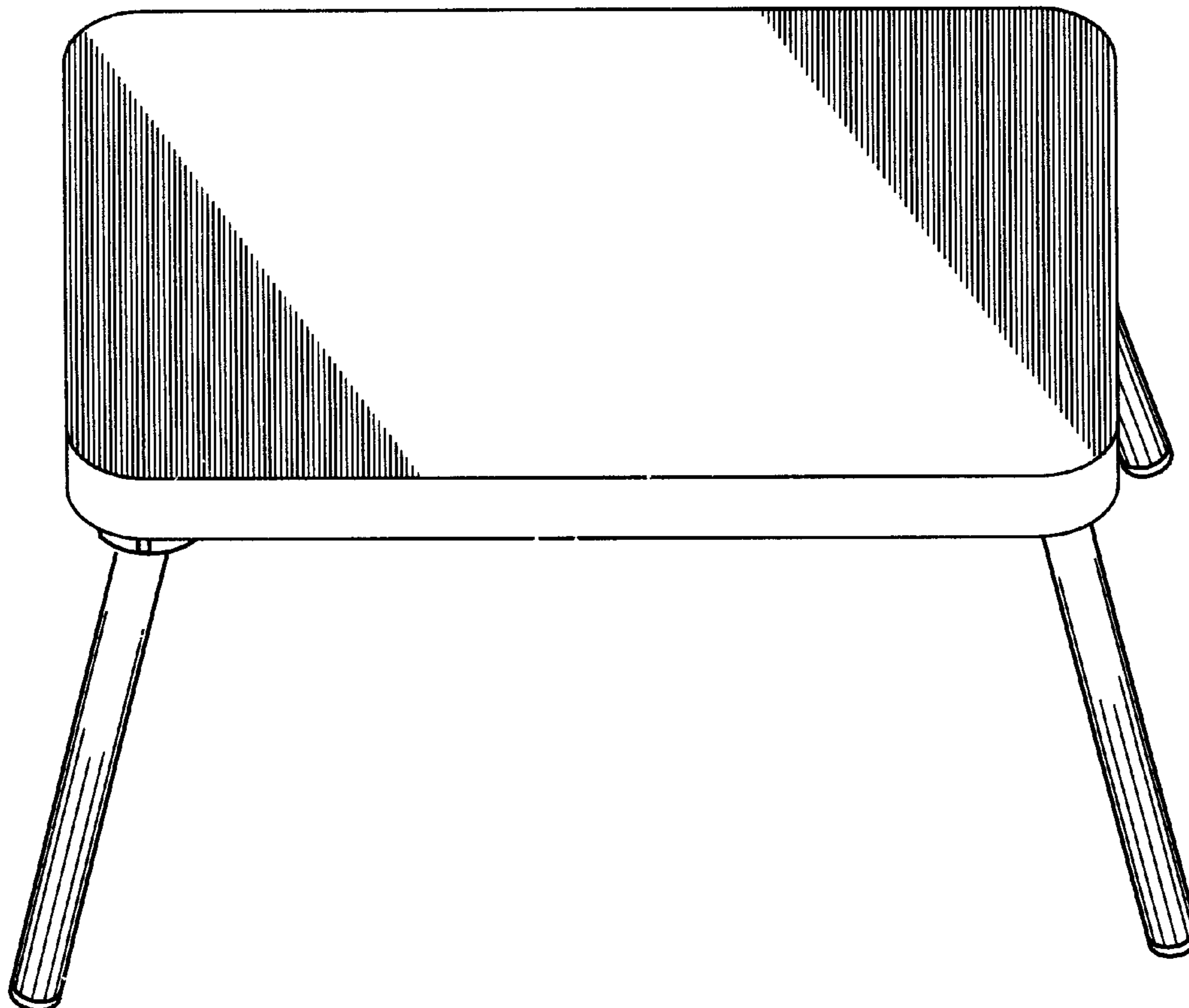
(57) **CLAIM**

The ornamental design for a rectangular folding table, as
shown and described.

DESCRIPTION

FIG. 1 is as perspective view of a rectangular folding table,
showing my new design;
FIG. 2 is a top plan view;
FIG. 3 is a side elevational view;
FIG. 4 is a rear elevational view; and,
FIG. 5 is a bottom plan view thereof.

1 Claim, 5 Drawing Sheets



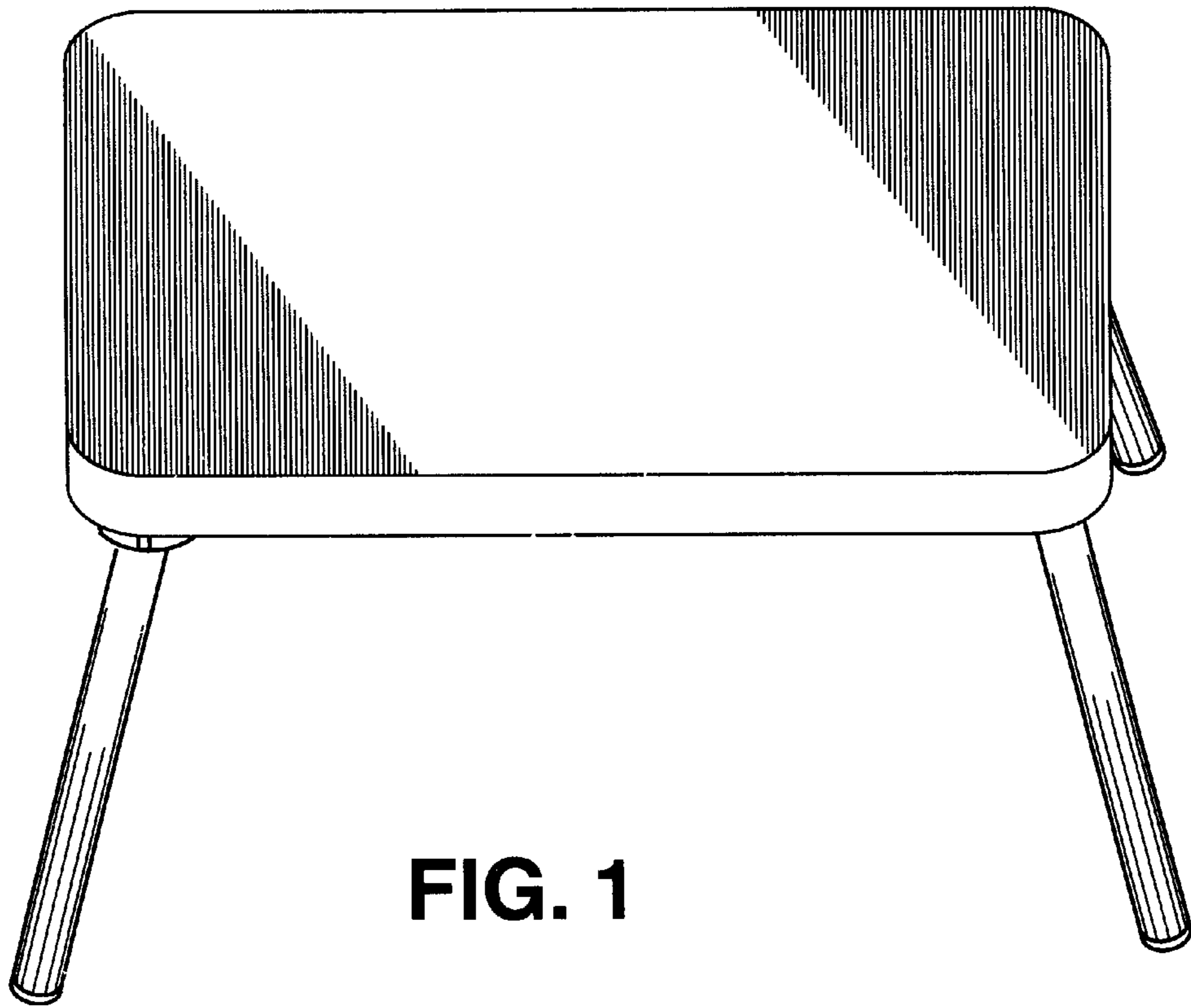


FIG. 1

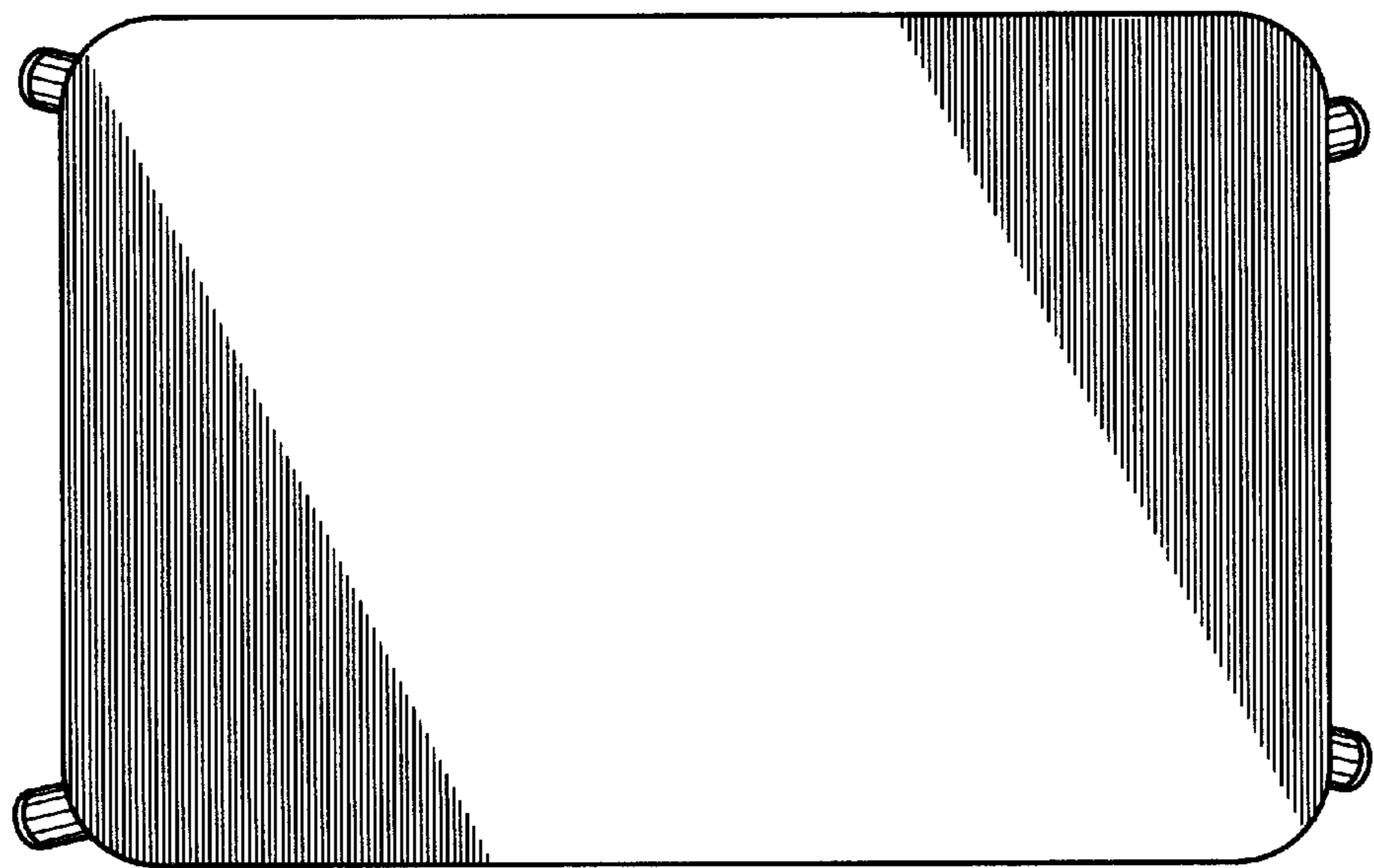


FIG. 2

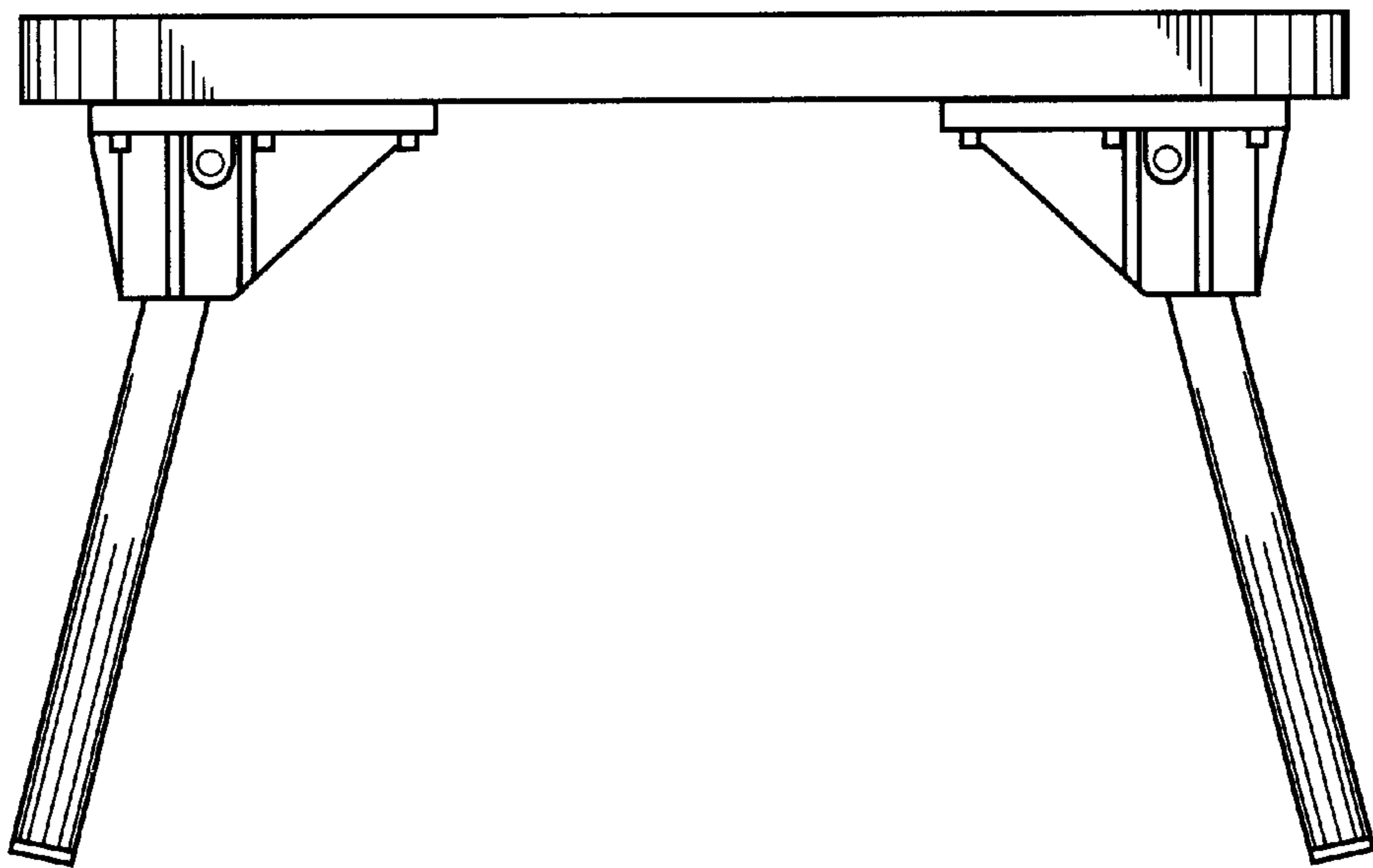


FIG. 3

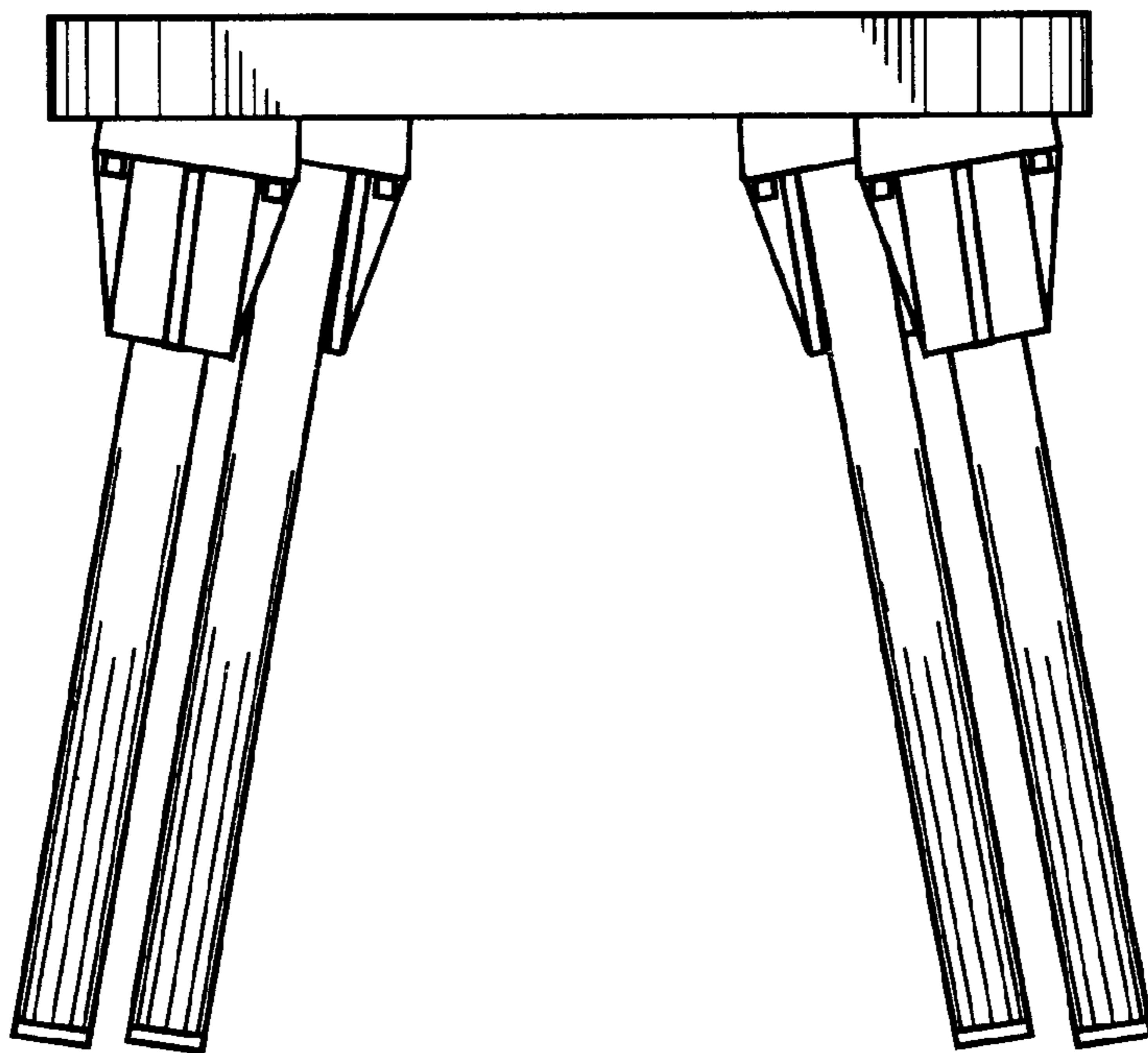


FIG. 4

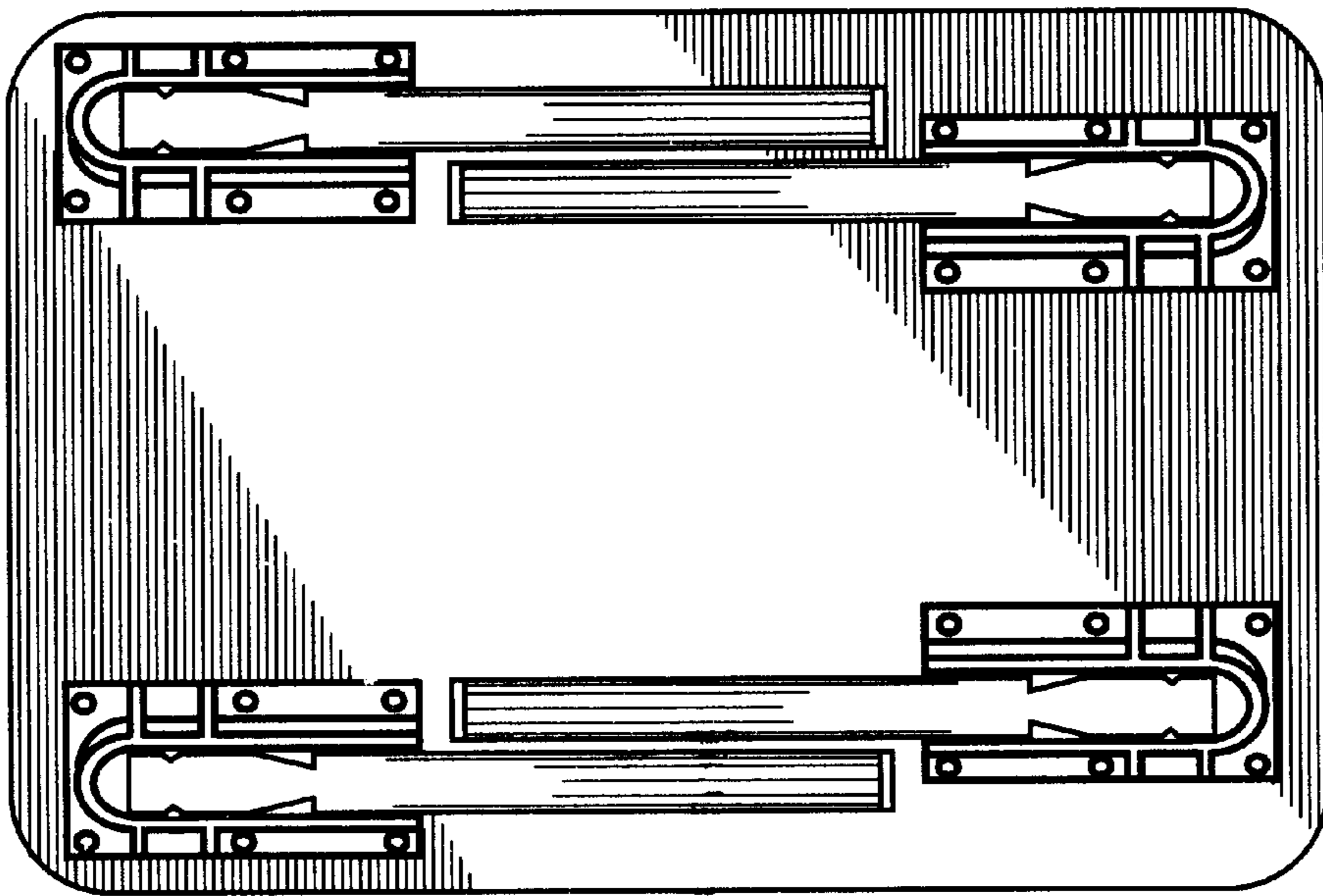


FIG. 5