



US00D473733S

(12) **United States Design Patent**
Malik

(10) **Patent No.:** **US D473,733 S**

(45) **Date of Patent:** **** *Apr. 29, 2003**

(54) **SHOE RACK**

DESCRIPTION

- (76) Inventor: **Vijay S. Malik**, 4405 Fairmount Ave.,
Kansas City, MO (US) 64111
- (*) Notice: This patent is subject to a terminal disclaimer.
- (**) Term: **14 Years**
- (21) Appl. No.: **29/163,973**
- (22) Filed: **Jul. 15, 2002**

Related U.S. Application Data

- (63) Continuation-in-part of application No. 29/141,800, filed on May 10, 2001, now Pat. No. Des. 461,333.
- (51) **LOC (7) Cl.** **06-04**
- (52) **U.S. Cl.** **D6/465; D6/630**
- (58) **Field of Search** D6/409-415, 449,
D6/455-458, 461-462, 464-468, 474, 476,
477-479, 407, 630; 211/13.1, 34, 36, 37,
49.1

(56) **References Cited**

U.S. PATENT DOCUMENTS

D374,359 S	*	10/1996	Liu	D6/479
D377,728 S		2/1997	Klein et al.		
5,617,959 A	*	4/1997	Klein et al.	211/37
D382,434 S		8/1997	Klein et al.		
5,992,647 A	*	11/1999	Malik	211/34
D422,794 S		4/2000	Licari		
D424,320 S		5/2000	Klein et al.		
D426,977 S	*	6/2000	White	D6/407
D431,954 S	*	10/2000	White	D6/630
D450,199 S	*	11/2001	White	D6/407

* cited by examiner

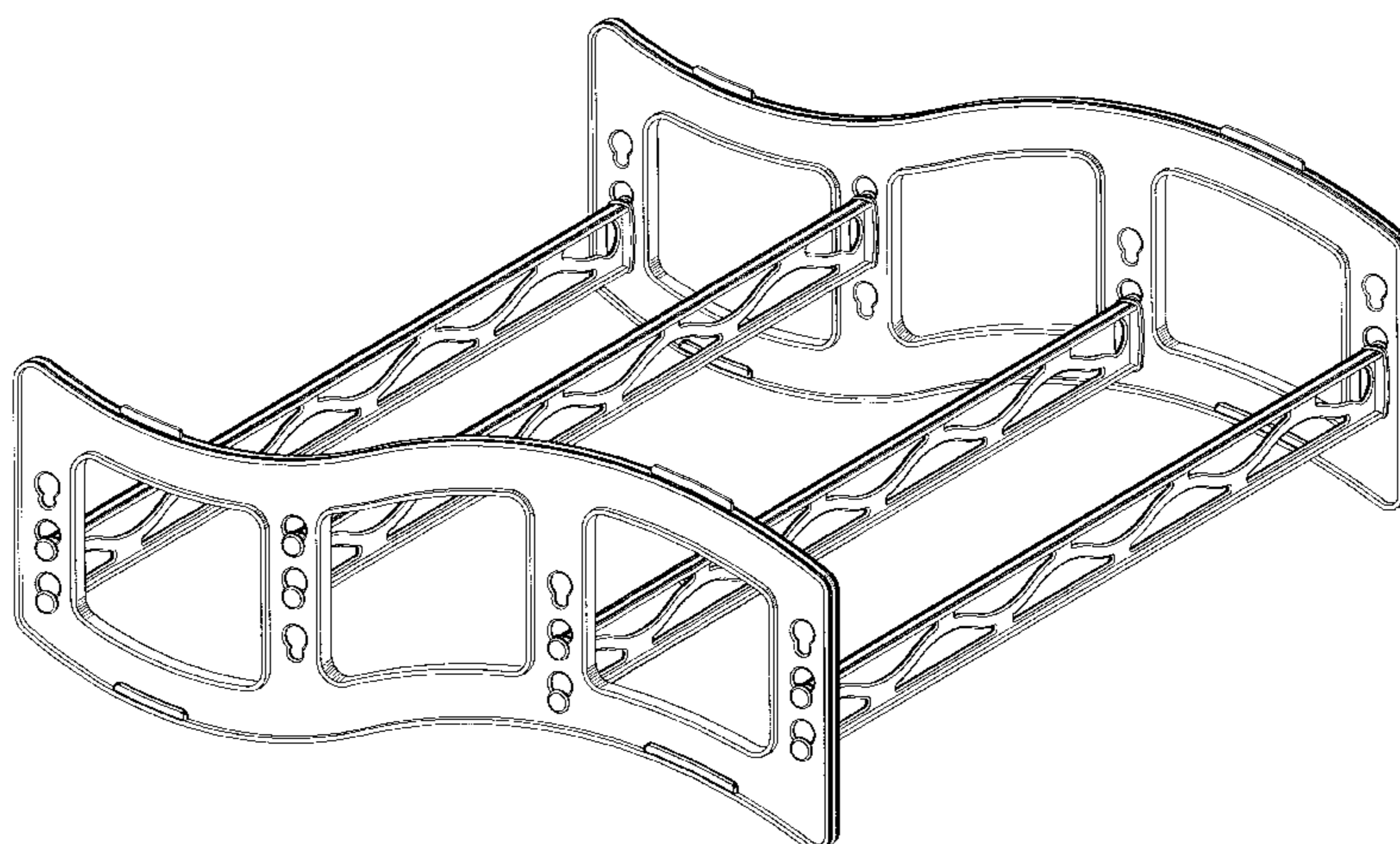
Primary Examiner—Cathron C. Brooks
(74) *Attorney, Agent, or Firm*—Richard L. Marsh

(57) **CLAIM**

The ornamental design for a shoe rack, as shown and described.

FIG. 1 is a left upper frontal perspective view of a first embodiment of the design for a shoe rack of this invention. FIG. 2 is a left side elevation view of the design for the shoe rack of FIG. 1, the right side elevation being a mirror image having encircled portions for the alternate embodiment of the tab and socket as shown in FIG. 11 and FIG. 12. FIG. 3 is a top plan view of the design for the shoe rack of FIG. 1 and FIG. 9. FIG. 4 is a bottom plan view of the design for the shoe rack of FIG. 1 and FIG. 9. FIG. 5 is a front plan view of the design for the shoe rack of FIG. 1. FIG. 6 is rear plan view of the design for the shoe rack of FIG. 1. FIG. 7 is a left side elevation view of the design for the shoe rack of FIG. 9, the right side elevation being a mirror image. FIG. 8 is a front plan view of the design for the shoe rack of FIG. 9. FIG. 9 is a left frontal perspective view of a second embodiment of the design for a shoe rack of this invention having encircled portions for the alternate embodiment of the tab and socket as shown in FIG. 11 and FIG. 12. FIG. 10 is rear plan view of the design for the shoe rack of FIG. 9. FIG. 11 is a left plan view of a third embodiment of the shoe rack of FIGS. 1-10, showing only the tab portion that is circled in FIGS. 2 and 7, which tab portion being the only difference between this embodiment and the first two embodiments, the right side view being a mirror image; and, FIG. 12 is a left plan view of an alternate socket portion for receiving the tab of FIG. 11 therein for the shoe rack of FIGS. 1-10, showing only the socket portion that is circled in FIGS. 2 and 7, which socket portion being the only difference between this embodiment and the first two embodiments, the right side view being a mirror image. The portions of the drawings in FIGS. 11 and 12 shown in broken lines form no part of the design of this invention but are included to show the environment in the circled portions of FIGS. 2 and 7. The portions of the drawings in FIGS. 2 and 7 shown in broken lines form no part of the design of this invention.

1 Claim, 8 Drawing Sheets



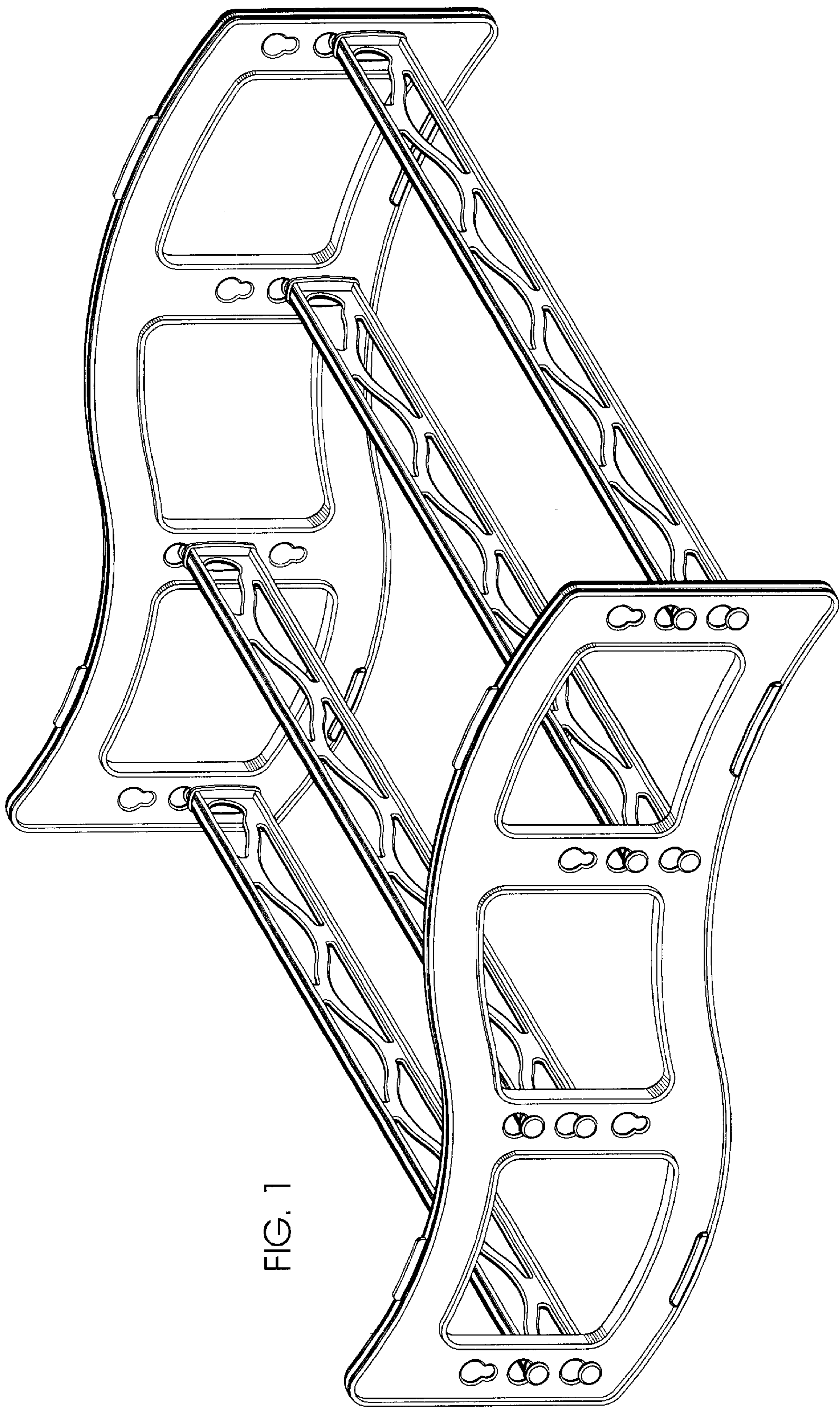


FIG. 1

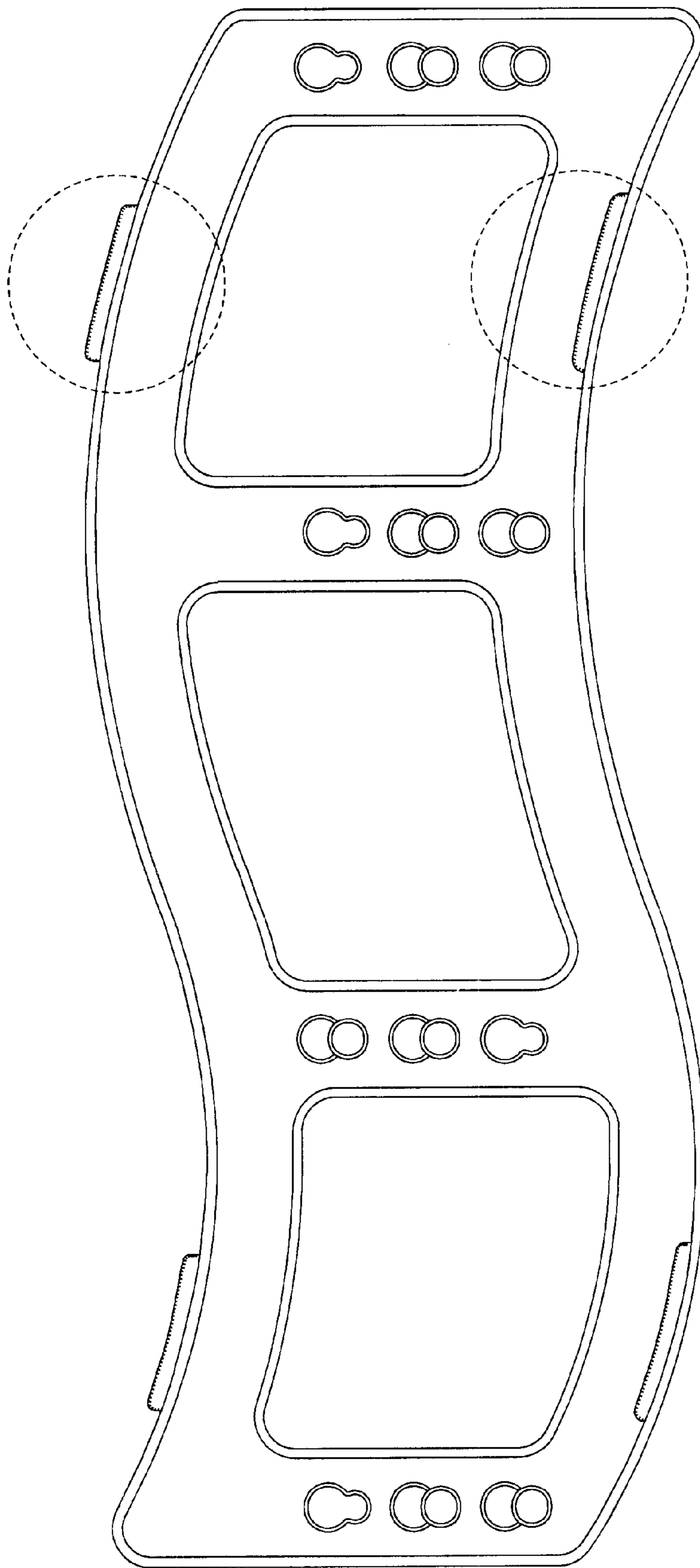


FIG. 2

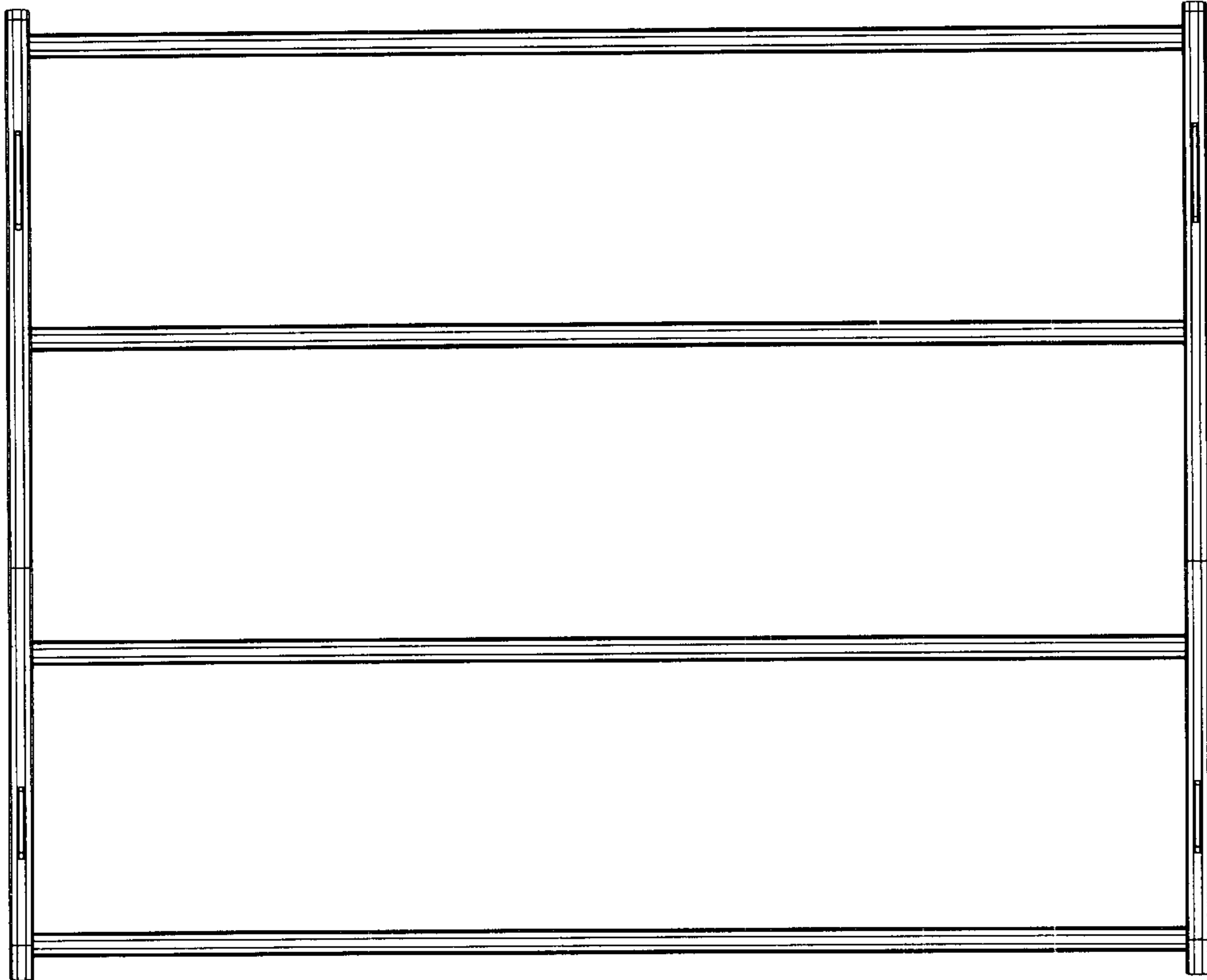


FIG. 3

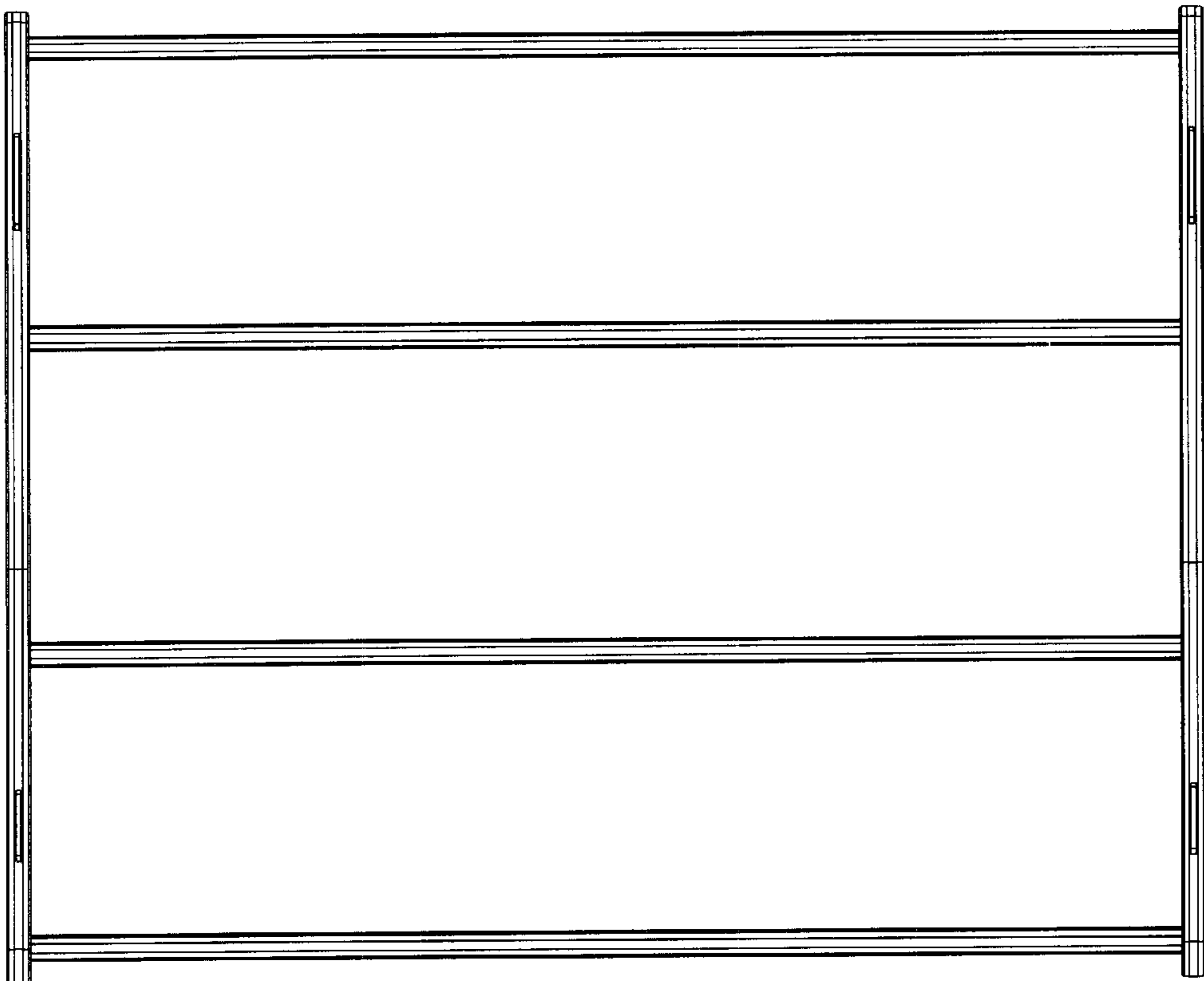


FIG. 4

FIG. 5

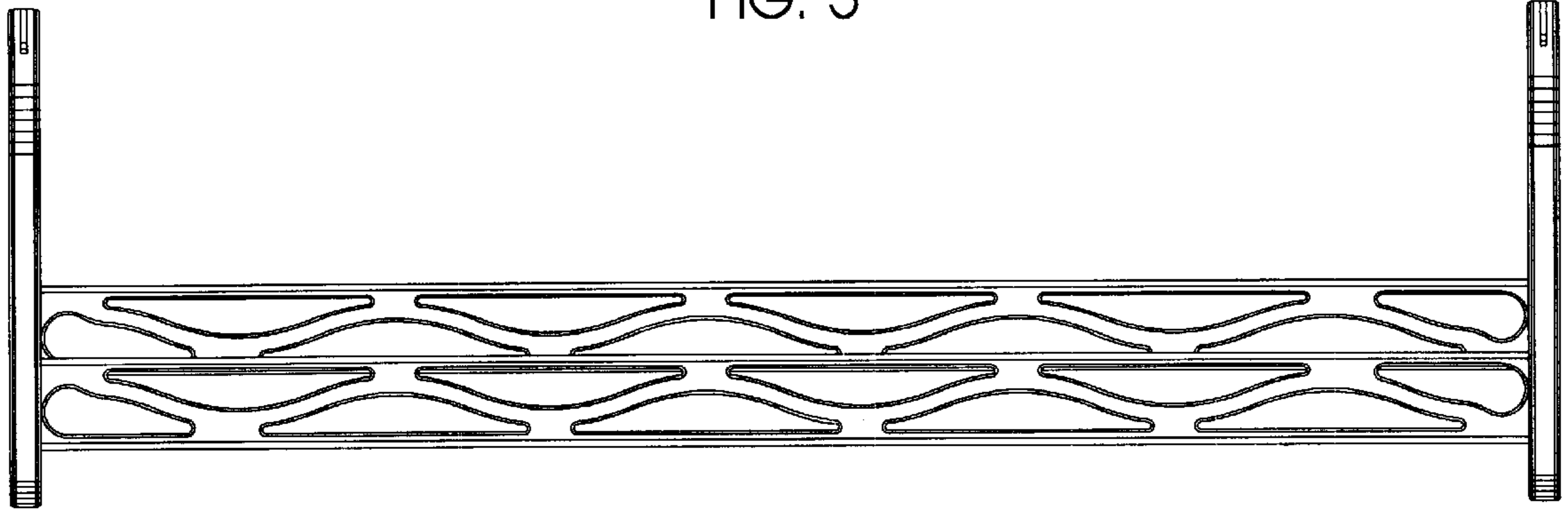


FIG. 8

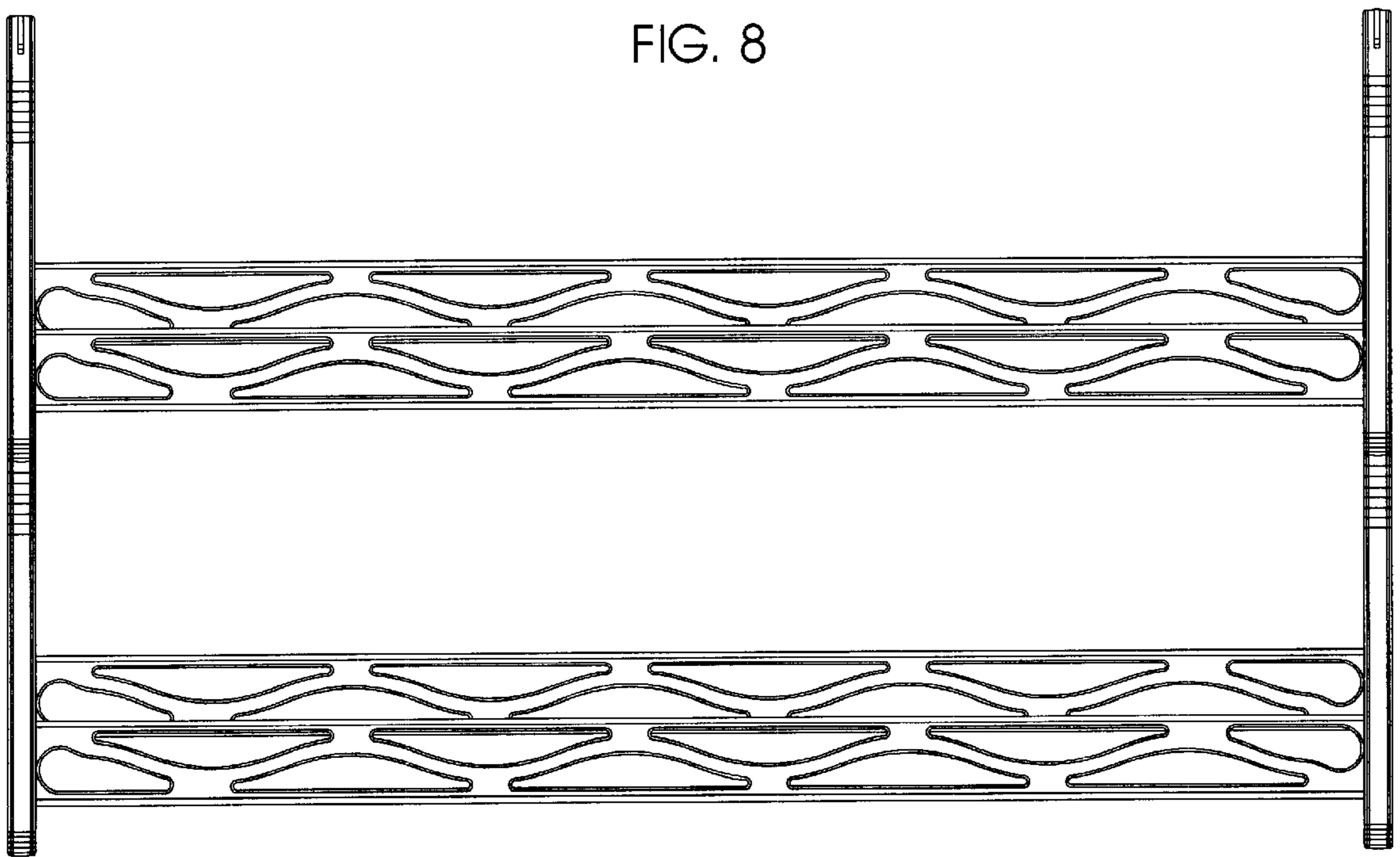


FIG. 6

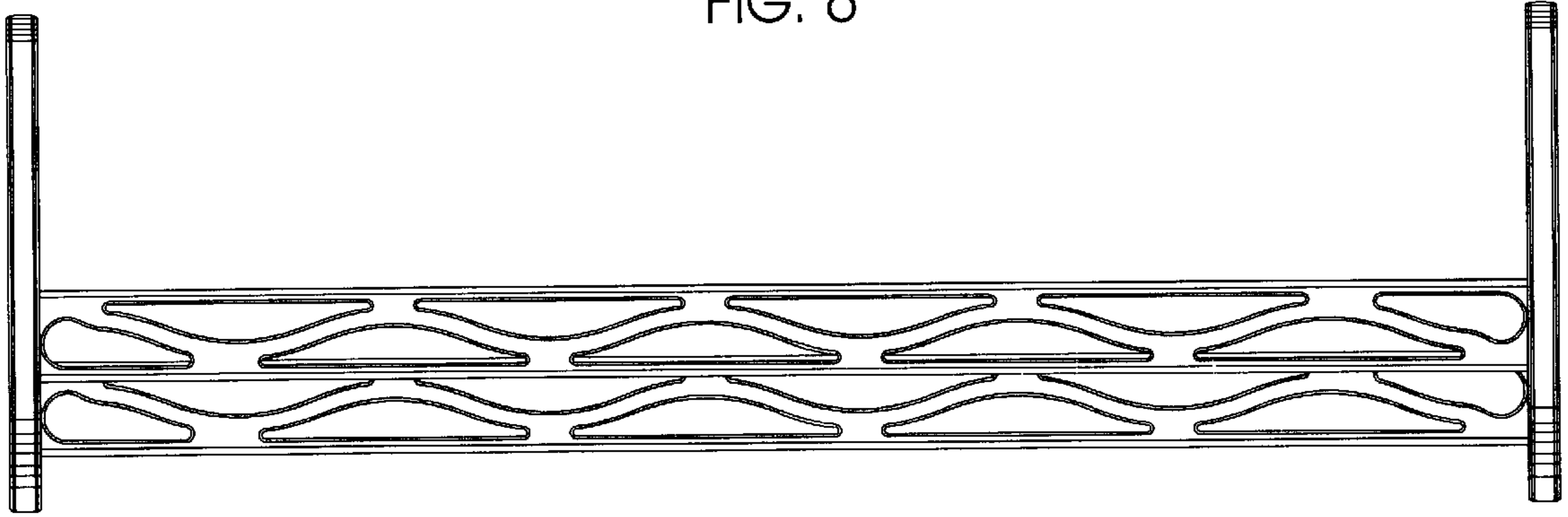
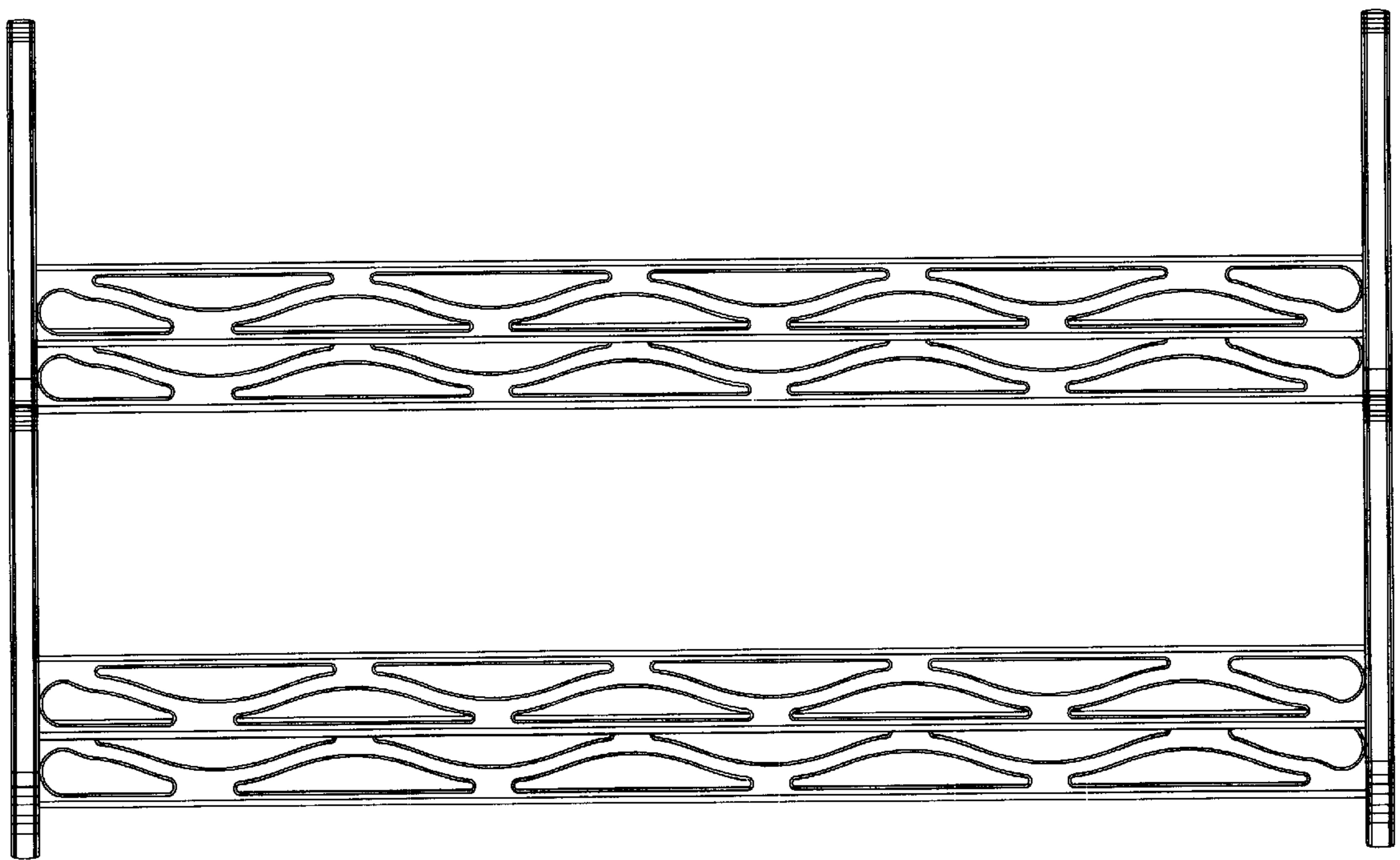


FIG. 10



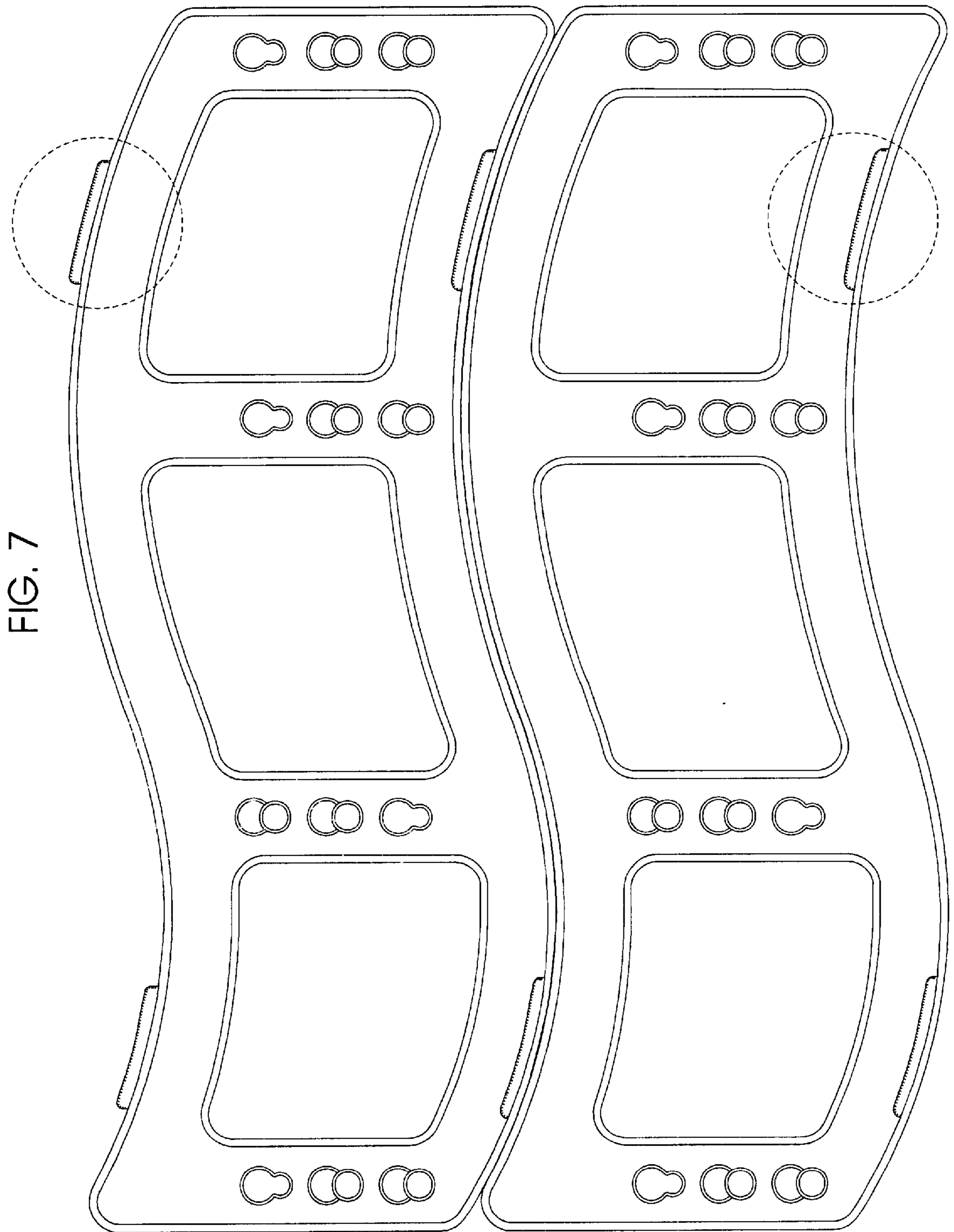


FIG. 7

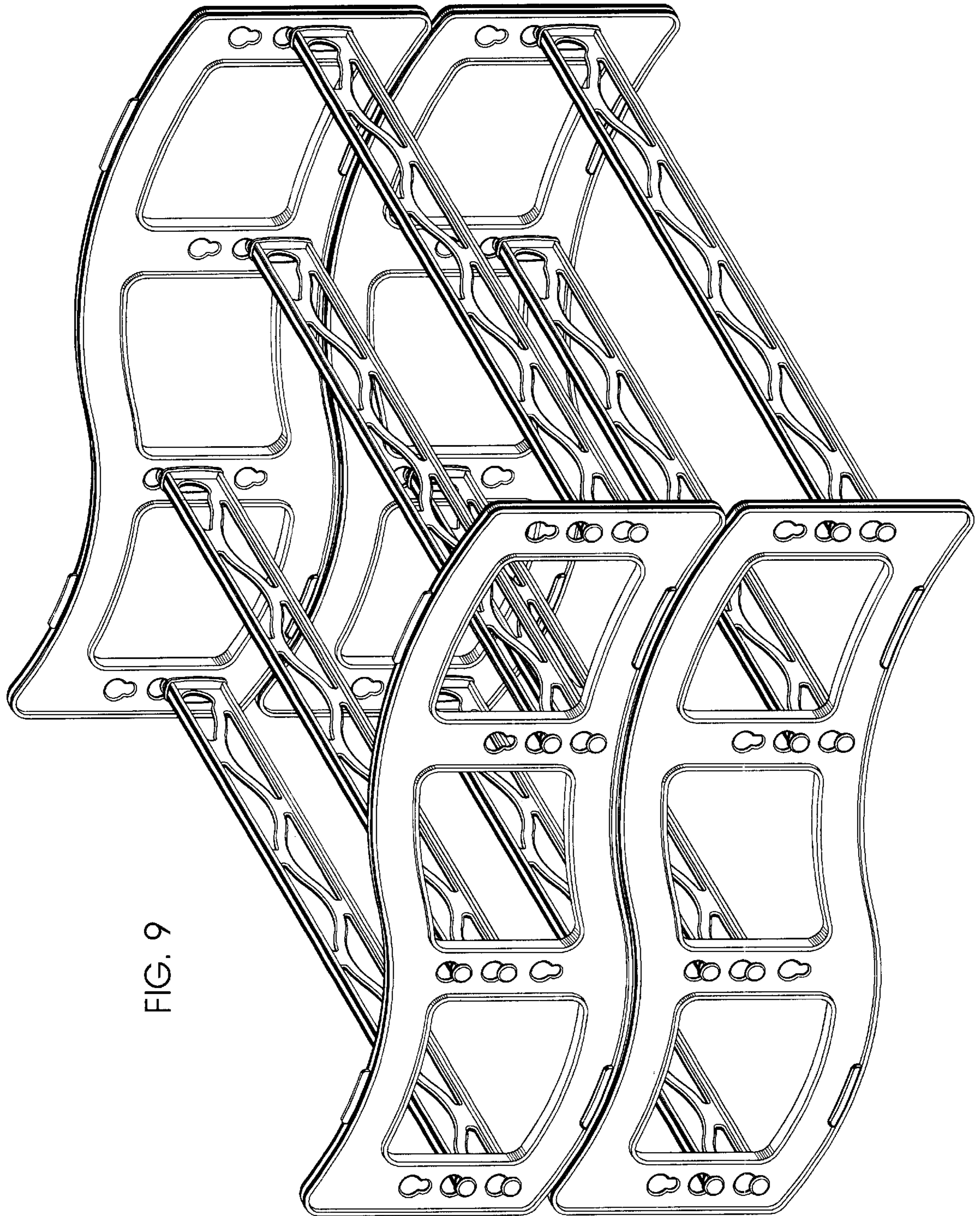


FIG. 9

FIG. 11

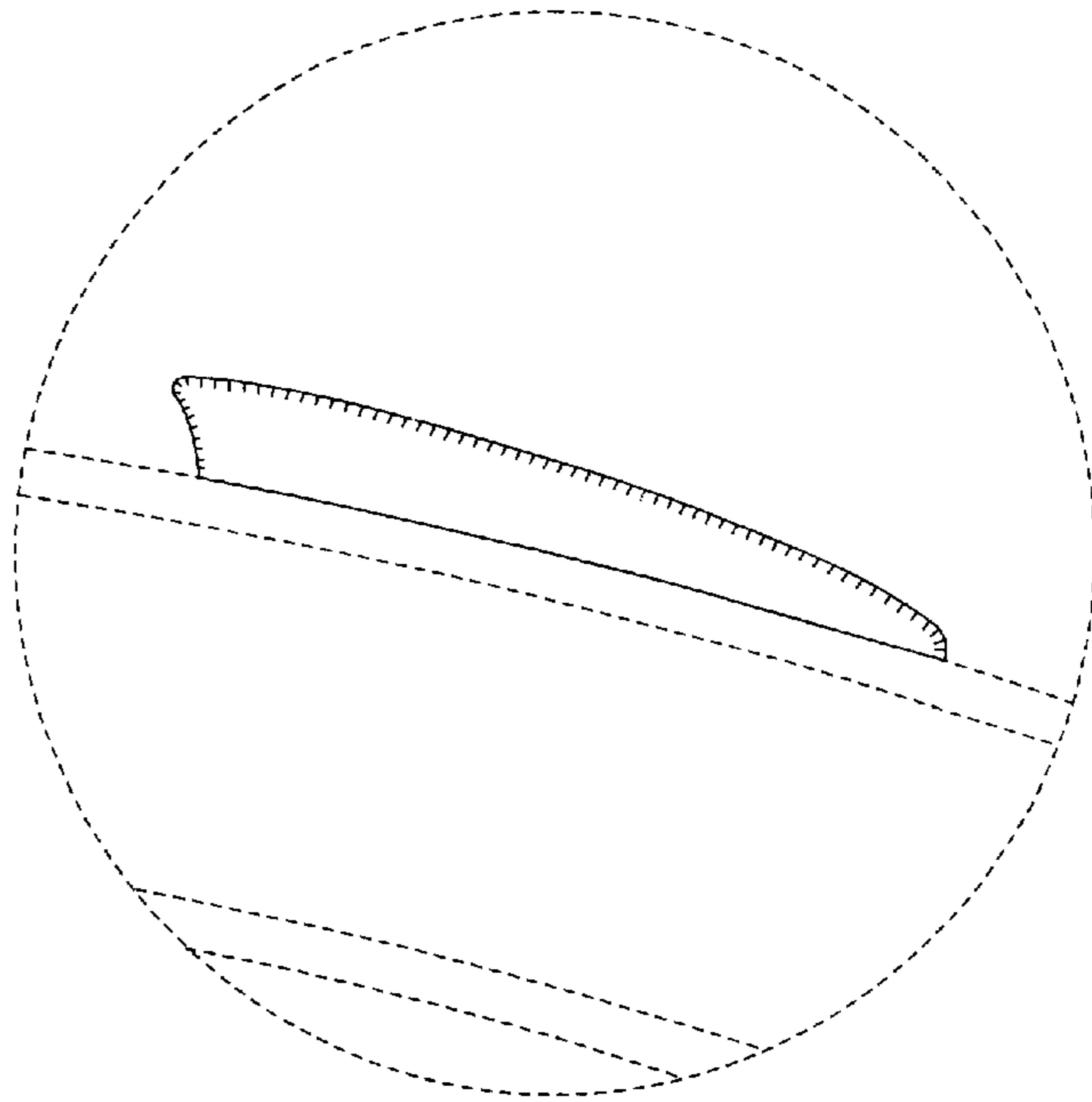


FIG. 12

