



US00D473728S

(12) **United States Design Patent**  
**Chang**

(10) **Patent No.:** **US D473,728 S**

(45) **Date of Patent:** **\*\* Apr. 29, 2003**

(54) **COMPUTER TABLE**

(76) Inventor: **Wu-De Chang**, No. 27, Alley 43, Lane 192, Sec. 1, Dong-Shan Rd., Tai-Chung City (TW)

(\*\*) Term: **14 Years**

(21) Appl. No.: **29/163,455**

(22) Filed: **Jul. 8, 2002**

(51) **LOC (7) Cl.** ..... **06-04**

(52) **U.S. Cl.** ..... **D6/422; D6/484**

(58) **Field of Search** ..... D6/421-428, 484; 312/194-196, 208.1, 208.4; 108/50.01, 50.02

(56) **References Cited**

**U.S. PATENT DOCUMENTS**

3,418,030	A	*	12/1968	Golden	.....	312/194
D267,846	S	*	2/1983	Platner	.....	D6/422
D451,302	S	*	12/2001	Chang	.....	D6/422
D452,085	S	*	12/2001	Chang	.....	D6/422

**OTHER PUBLICATIONS**

Interiors, Mar. 1963, p. 115, desk in center.\*

\* cited by examiner

*Primary Examiner*—Janice E. Seeger

(74) *Attorney, Agent, or Firm*—Charles E. Baxley

(57) **CLAIM**

The ornamental design for computer table, as shown and described.

**DESCRIPTION**

FIG. 1 is a perspective view of a computer table showing our new design thereof;

FIG. 2 is a front elevational view thereof;

FIG. 3 is a rear elevational view thereof;

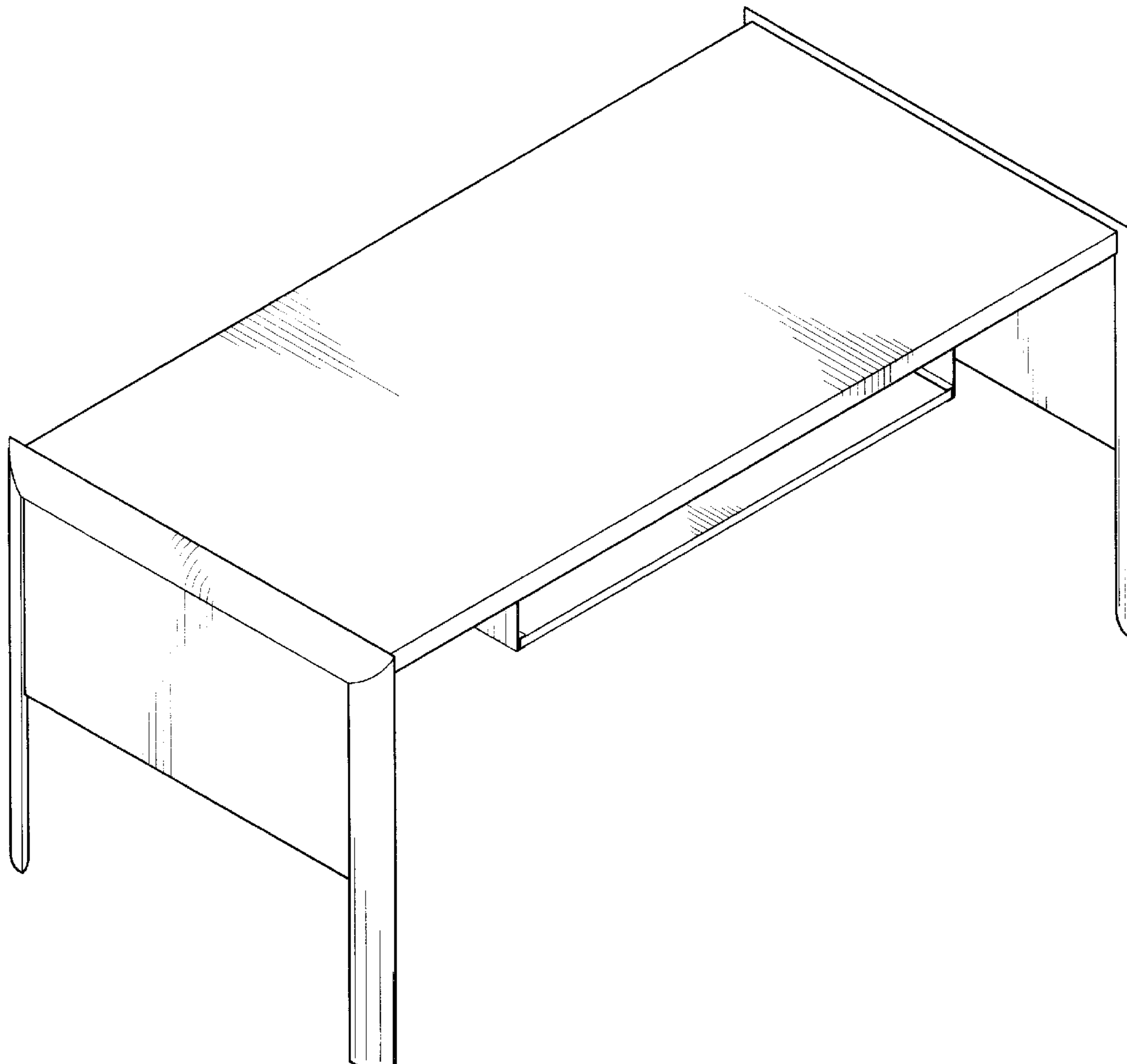
FIG. 4 is a left side elevational view thereof;

FIG. 5 is a right side elevational view thereof;

FIG. 6 is a top plan view thereof; and,

FIG. 7 is a bottom plan view thereof.

**1 Claim, 6 Drawing Sheets**



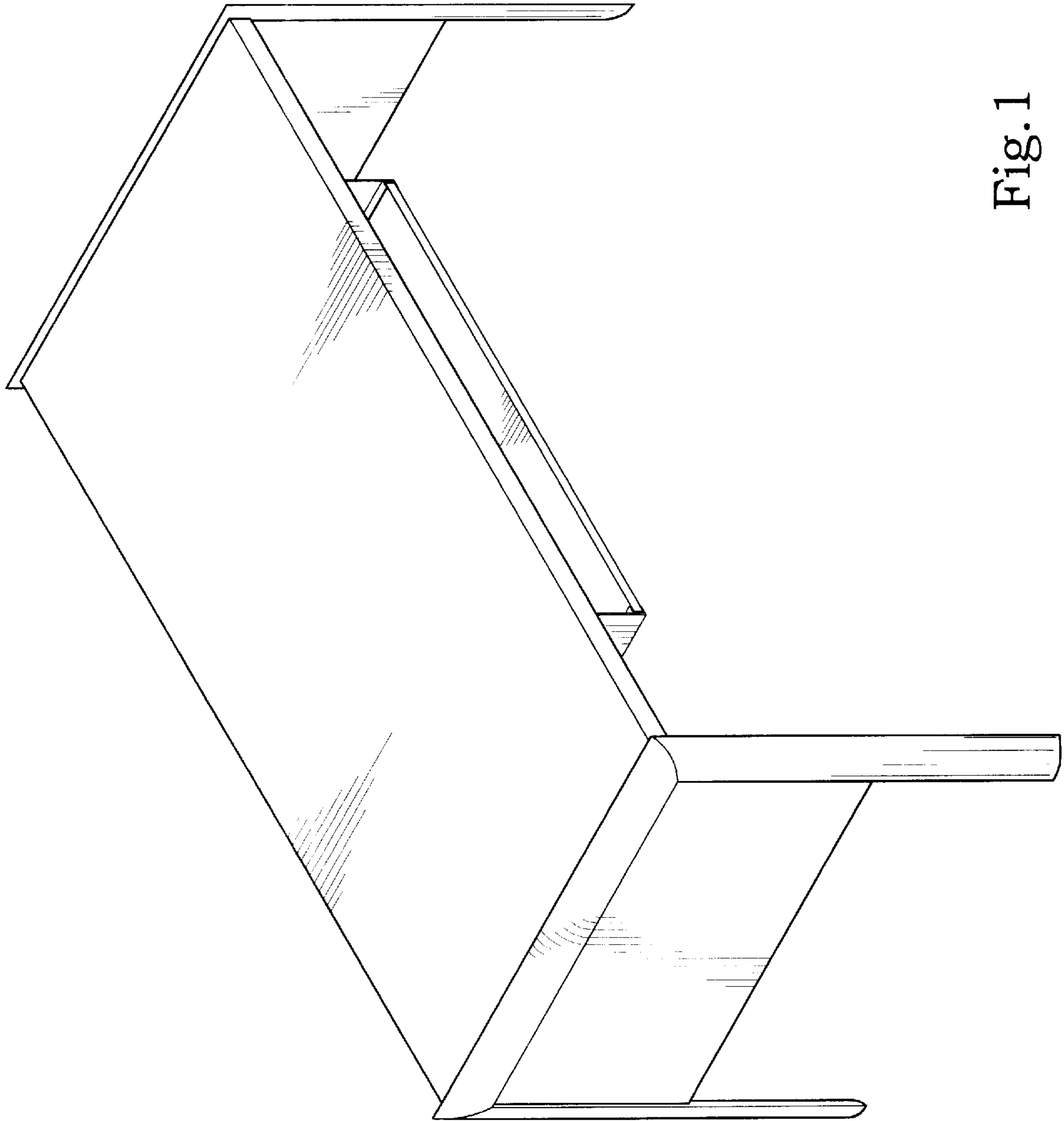


Fig. 1

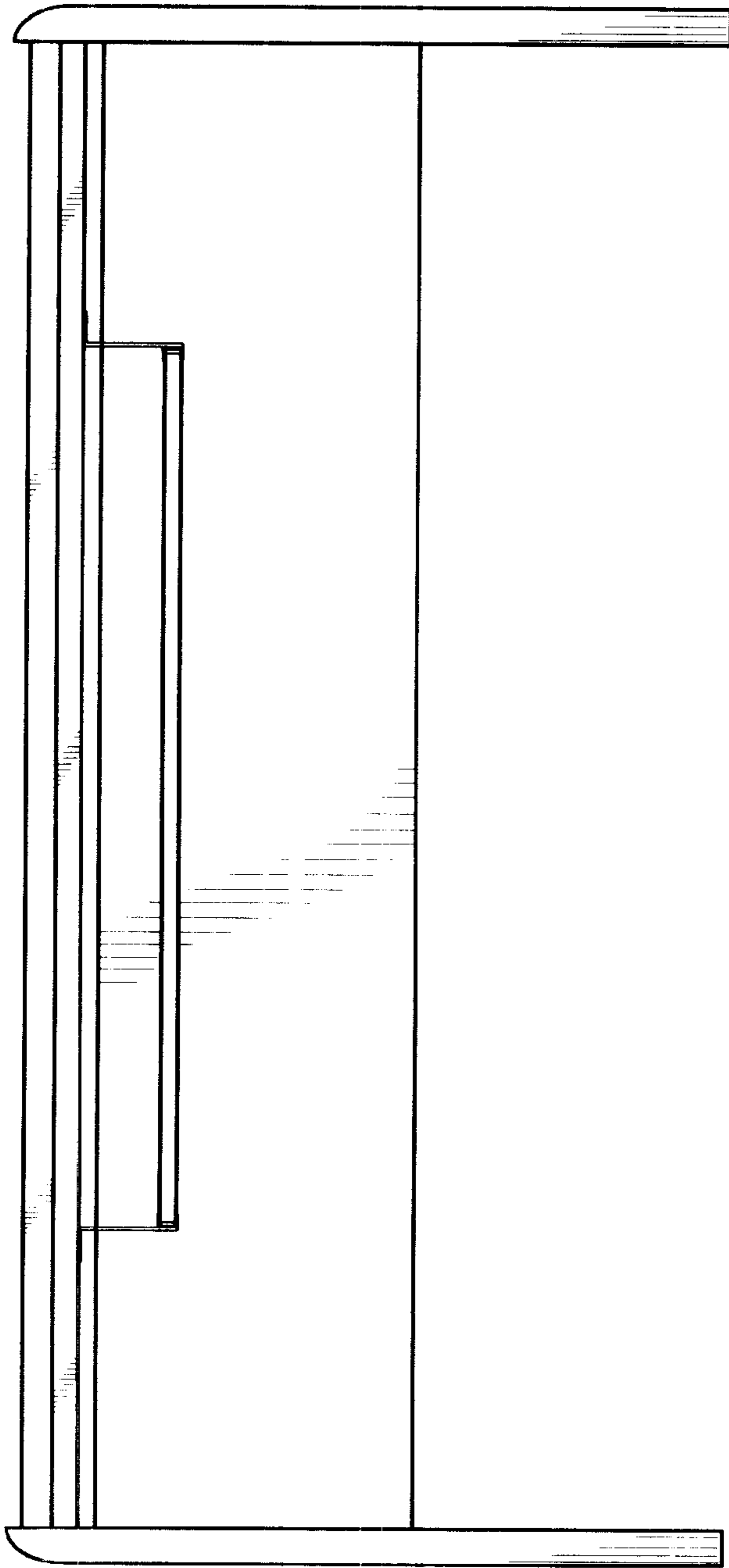


Fig. 2

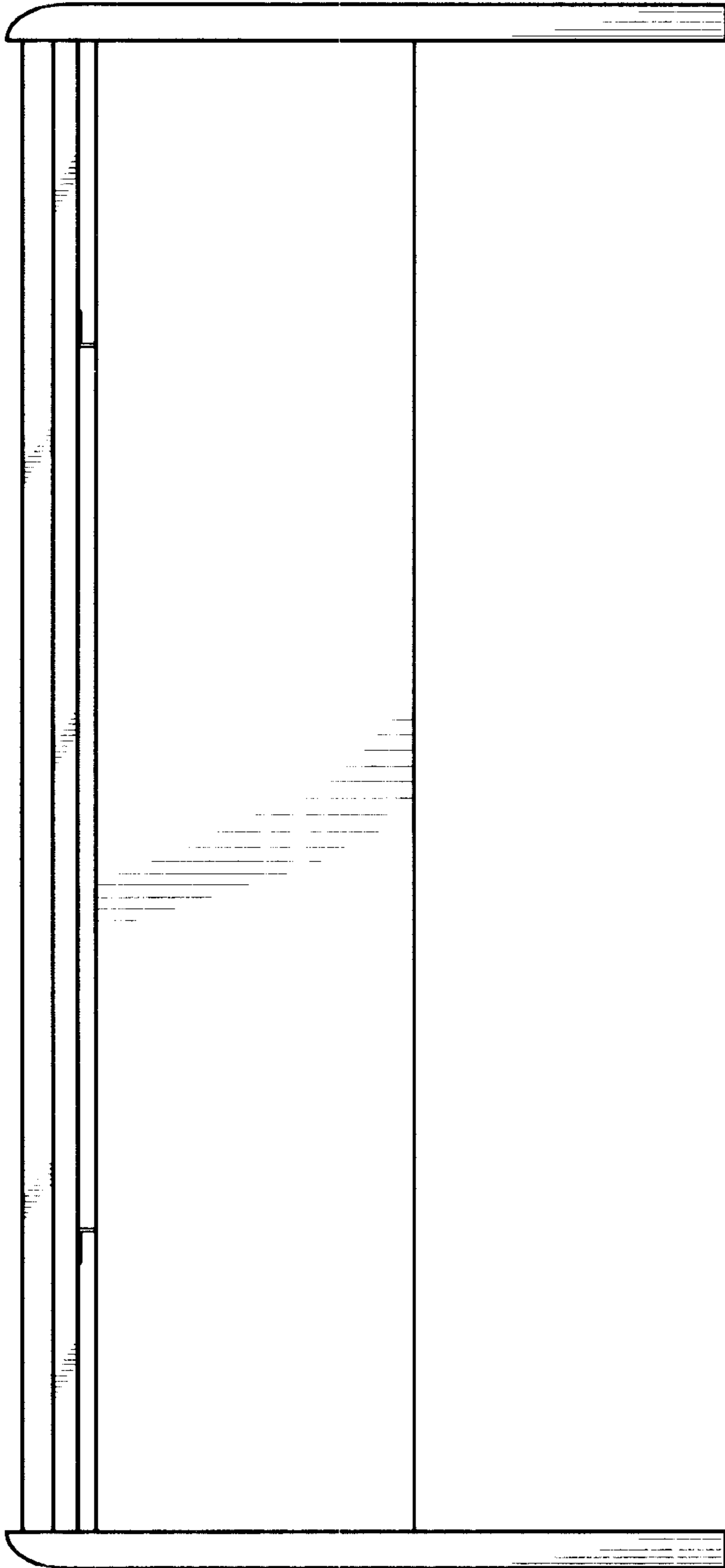


Fig. 3

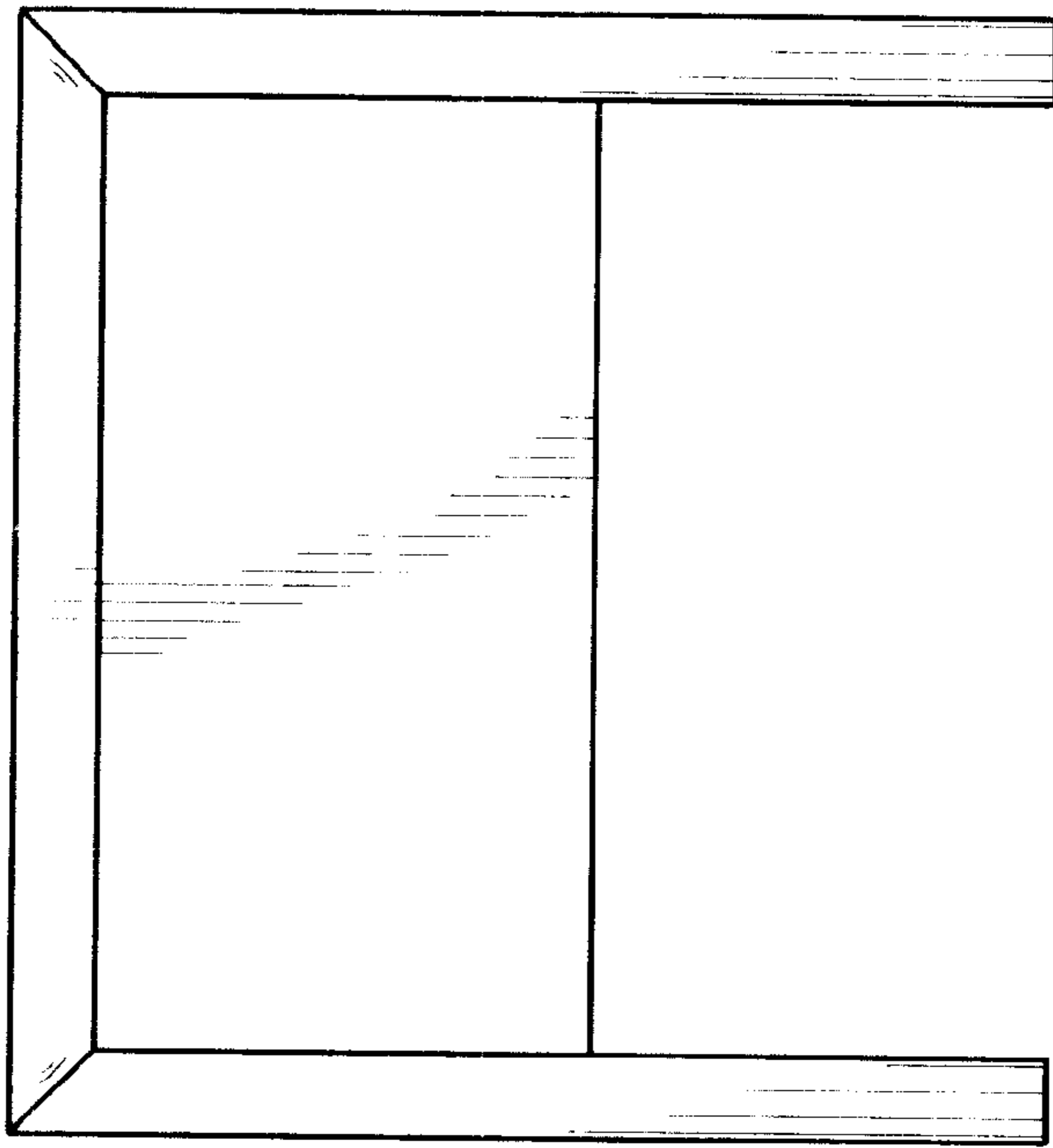


Fig. 4

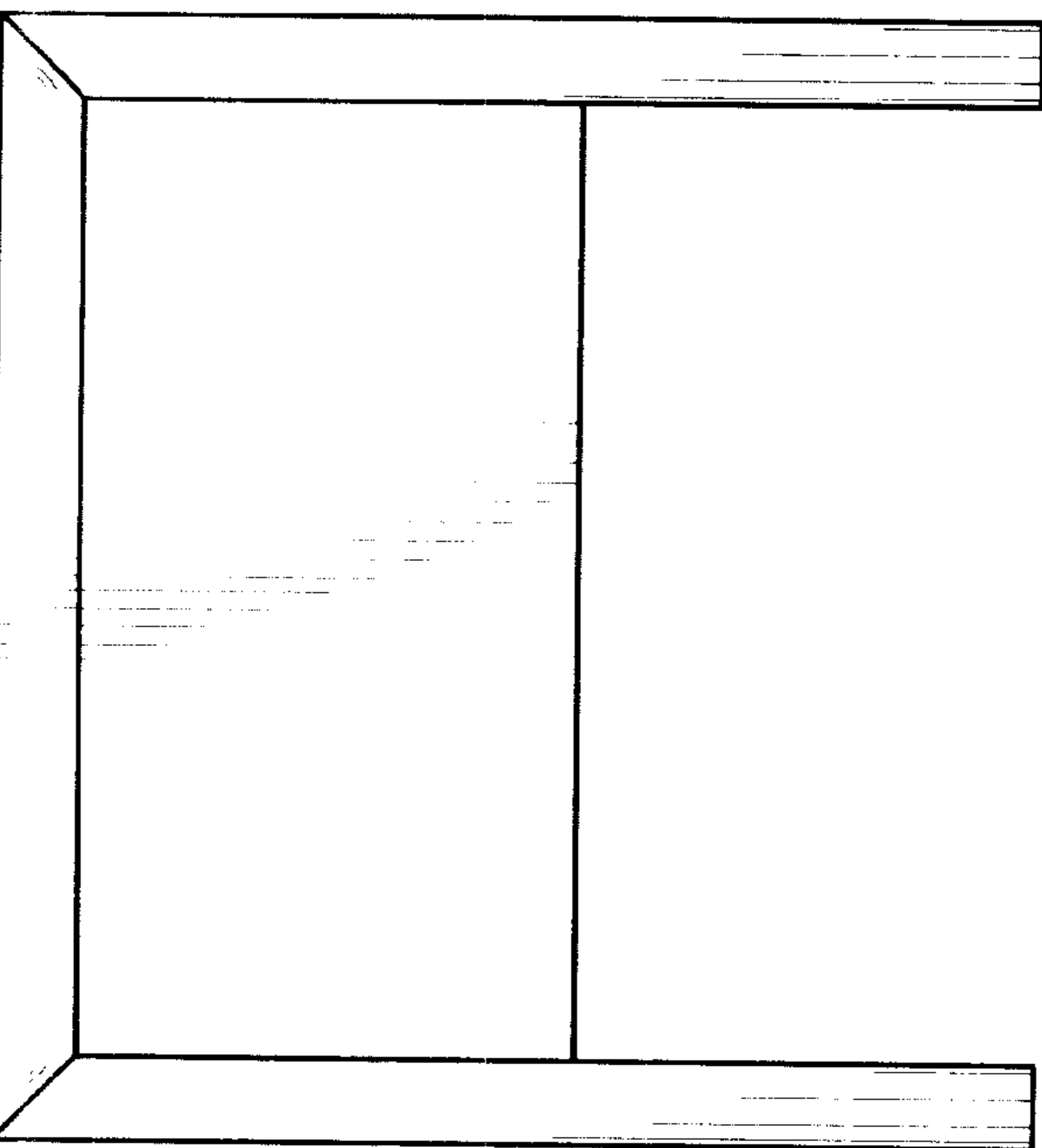


Fig. 5

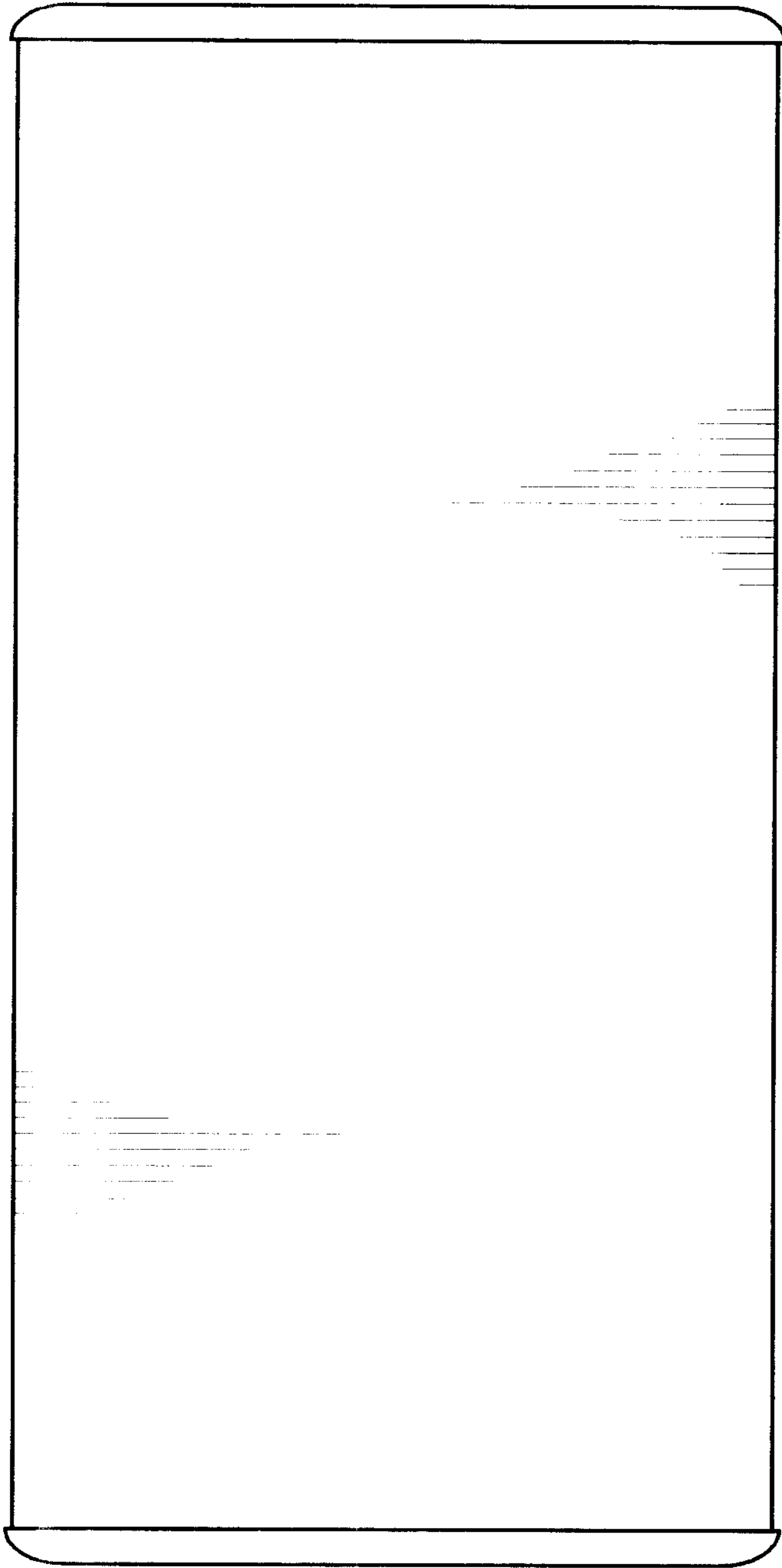


Fig. 6

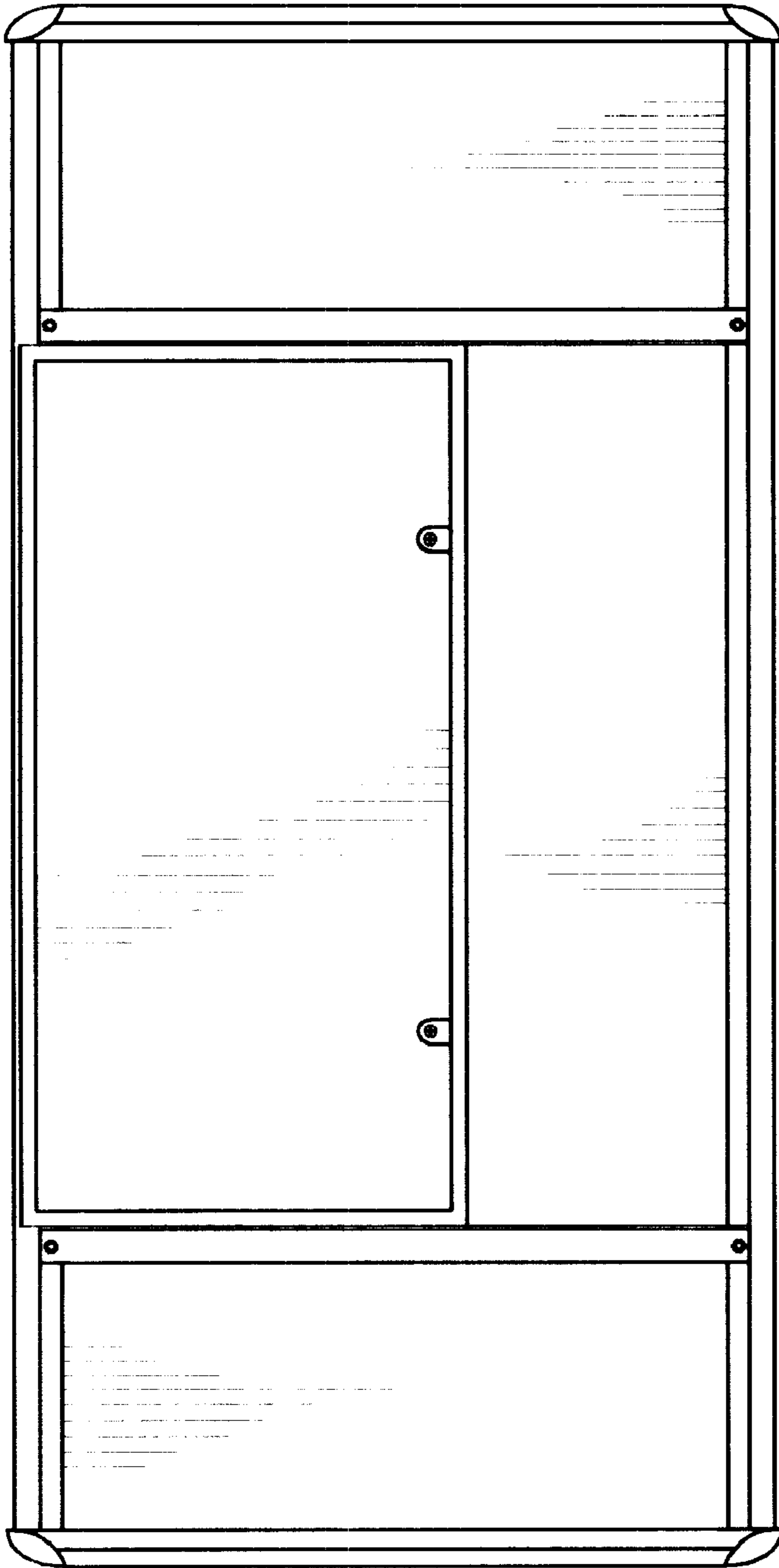


Fig. 7