



US00D473725S

(12) **United States Design Patent**
Noll

(10) **Patent No.:** **US D473,725 S**

(45) **Date of Patent:** **** Apr. 29, 2003**

(54) **GLIDER FRAME**

(76) Inventor: **Ronald C. Noll**, 25 Fairway Trail,
Moreland Hills, OH (US) 44022

(**) Term: **14 Years**

(21) Appl. No.: **29/165,208**

(22) Filed: **Aug. 5, 2002**

(51) **LOC (7) Cl.** **06-01**

(52) **U.S. Cl.** **D6/344**

(58) **Field of Search** D6/334, 335, 344,
D6/346, 347, 370, 371, 373, 376, 379,
381, 500-502; 297/273, 281, 282, 258.1,
344.21, 344.26, 452.63

5,667,273 A	9/1997	Noll
D399,064 S	10/1998	Noll
D399,065 S	10/1998	Noll
D400,720 S	11/1998	Pomeroy et al.
D403,516 S	1/1999	Noll
D406,948 S	3/1999	Noll
D410,340 S	6/1999	Pomeroy et al.
D417,559 S	12/1999	Pomeroy et al.
D423,801 S	5/2000	Noll
D432,323 S	10/2000	Pomeroy et al.
D434,573 S	12/2000	Noll
6,199,950 B1	3/2001	Noll
D443,425 S	6/2001	Pomeroy et al.
D444,306 S	7/2001	Jaisinghani
D444,635 S	7/2001	Noll
D449,454 S	10/2001	Pomeroy et al.
D450,193 S	11/2001	Pomeroy et al.
D450,937 S	11/2001	Pomeroy et al.

(56) **References Cited**

U.S. PATENT DOCUMENTS

D135,777 S	*	6/1943	Smith	D6/347
3,994,468 A		11/1976	Carter et al.		
4,213,650 A		7/1980	Sroub		
D259,308 S		5/1981	Sroub		
D290,911 S		7/1987	Pomeroy et al.		
D298,490 S		11/1988	Pomeroy et al.		
4,796,949 A		1/1989	Boyce		
D307,361 S		4/1990	Pomeroy et al.		
D307,362 S		4/1990	Pomeroy et al.		
D307,363 S		4/1990	Pomeroy et al.		
D307,523 S		5/1990	Pomeroy et al.		
D310,604 S		9/1990	Pomeroy et al.		
D325,823 S		5/1992	Pomeroy et al.		
D328,197 S		7/1992	Braxton, III		
D328,821 S		8/1992	Wooding et al.		
D334,485 S		4/1993	Pomeroy et al.		
D336,788 S		6/1993	Vasquez		
D338,563 S	*	8/1993	Chiang	D6/344
D349,818 S		8/1994	Noll		
D350,855 S		9/1994	Pomeroy et al.		
D361,673 S		8/1995	Pomeroy et al.		
D362,349 S		9/1995	Pomeroy et al.		
D365,692 S		1/1996	Pomeroy et al.		

* cited by examiner

Primary Examiner—Doris V. Coles

Assistant Examiner—Mimosa De

(74) *Attorney, Agent, or Firm*—Pearne & Gordon LLP

(57) **CLAIM**

The ornamental design for a glider frame, as shown and described.

DESCRIPTION

FIG. 1 is a perspective view of a glider frame according to the present invention;

FIG. 2 is a front view thereof;

FIG. 3 is a right side view thereof, a left side view being a mirror image thereof;

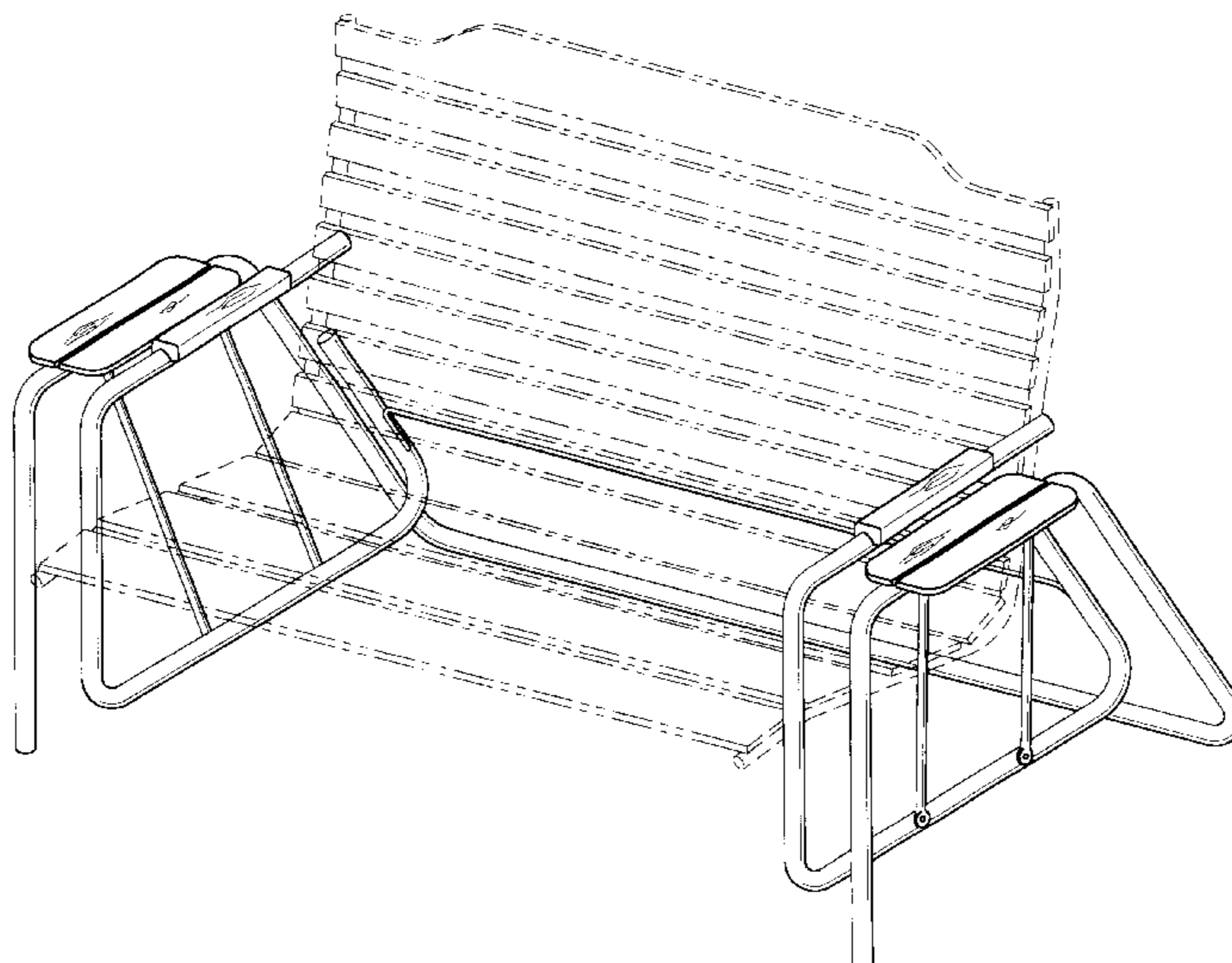
FIG. 4 is a top view thereof;

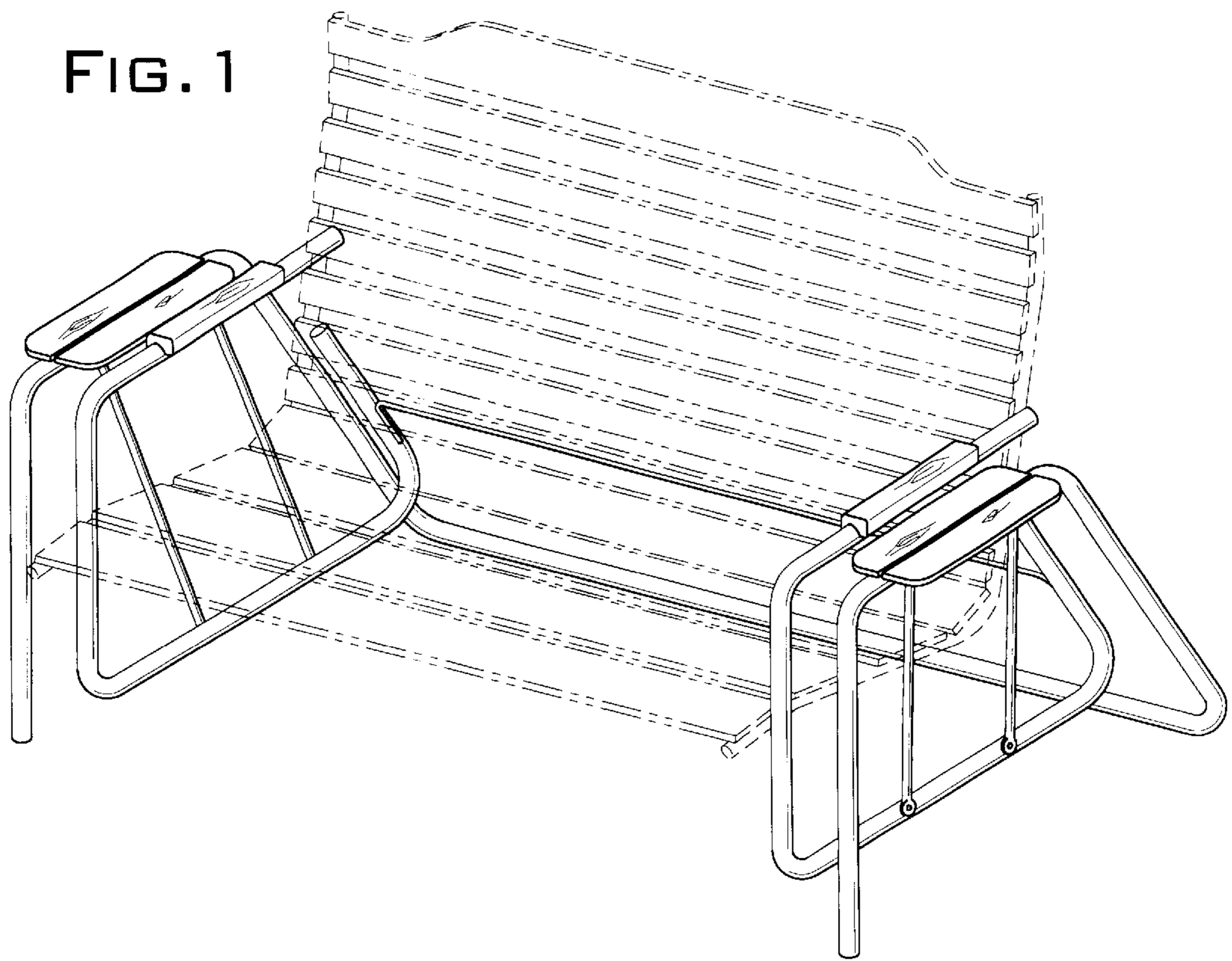
FIG. 5 is a rear view thereof; and,

FIG. 6 is a bottom view thereof.

The glider seat shown in broken lines is merely an example and forms no part of the claimed design.

1 Claim, 4 Drawing Sheets





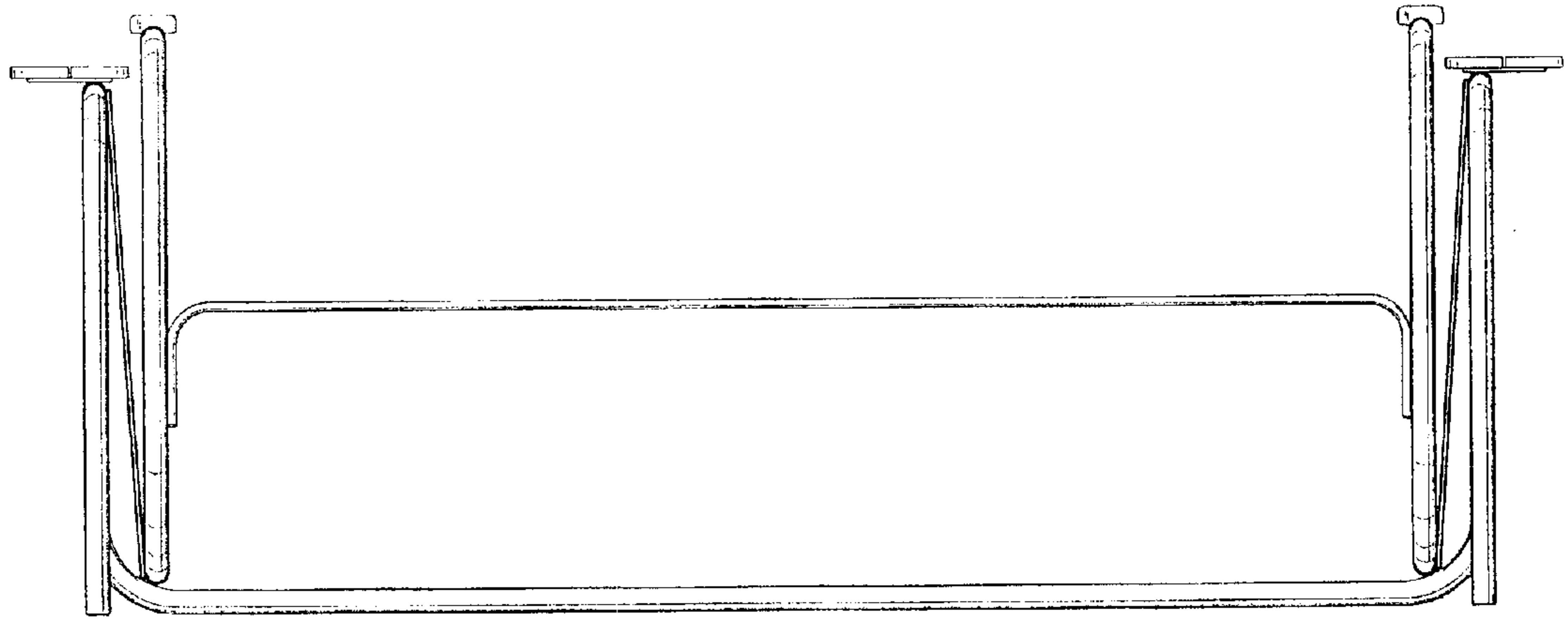


FIG. 2

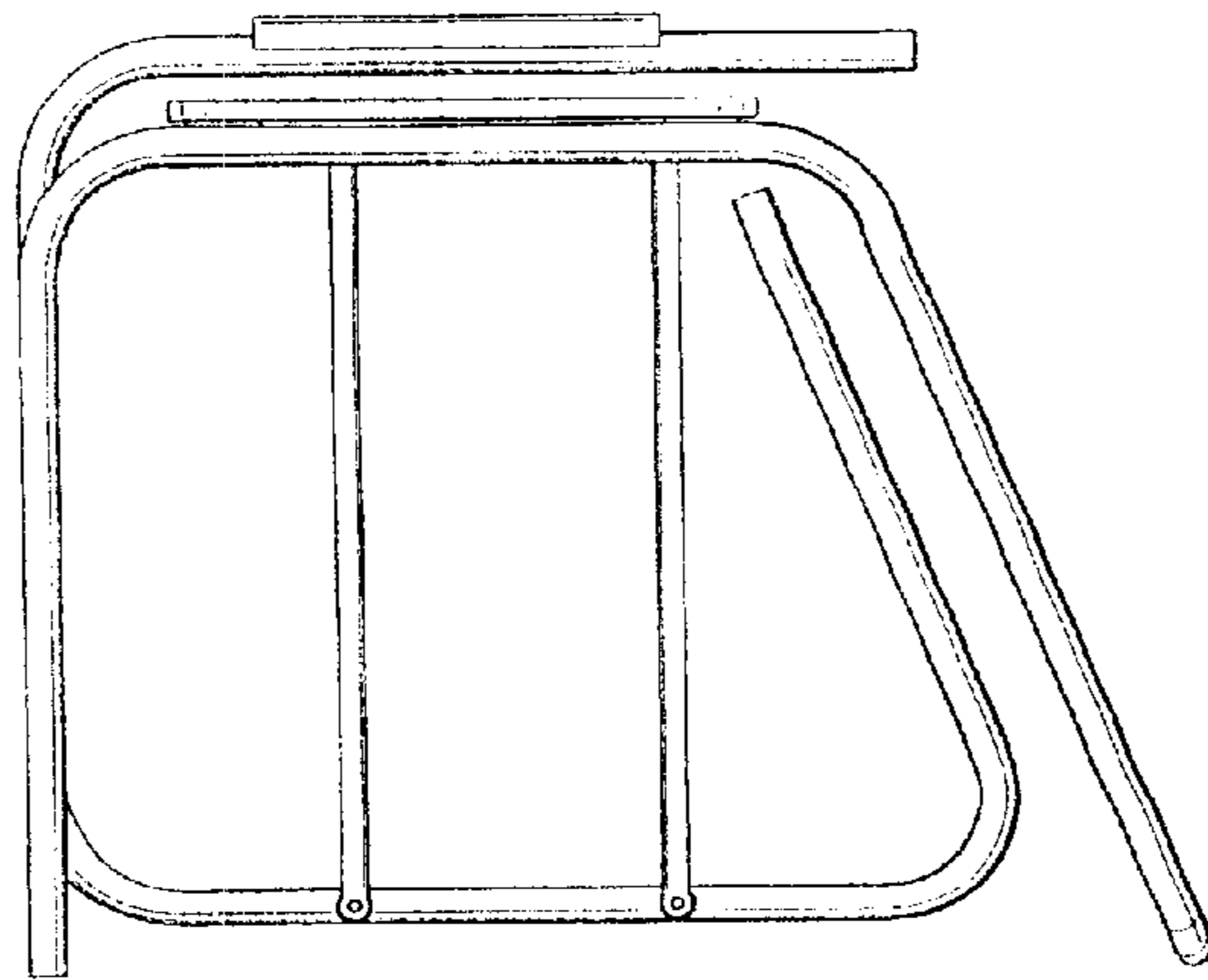


FIG. 3

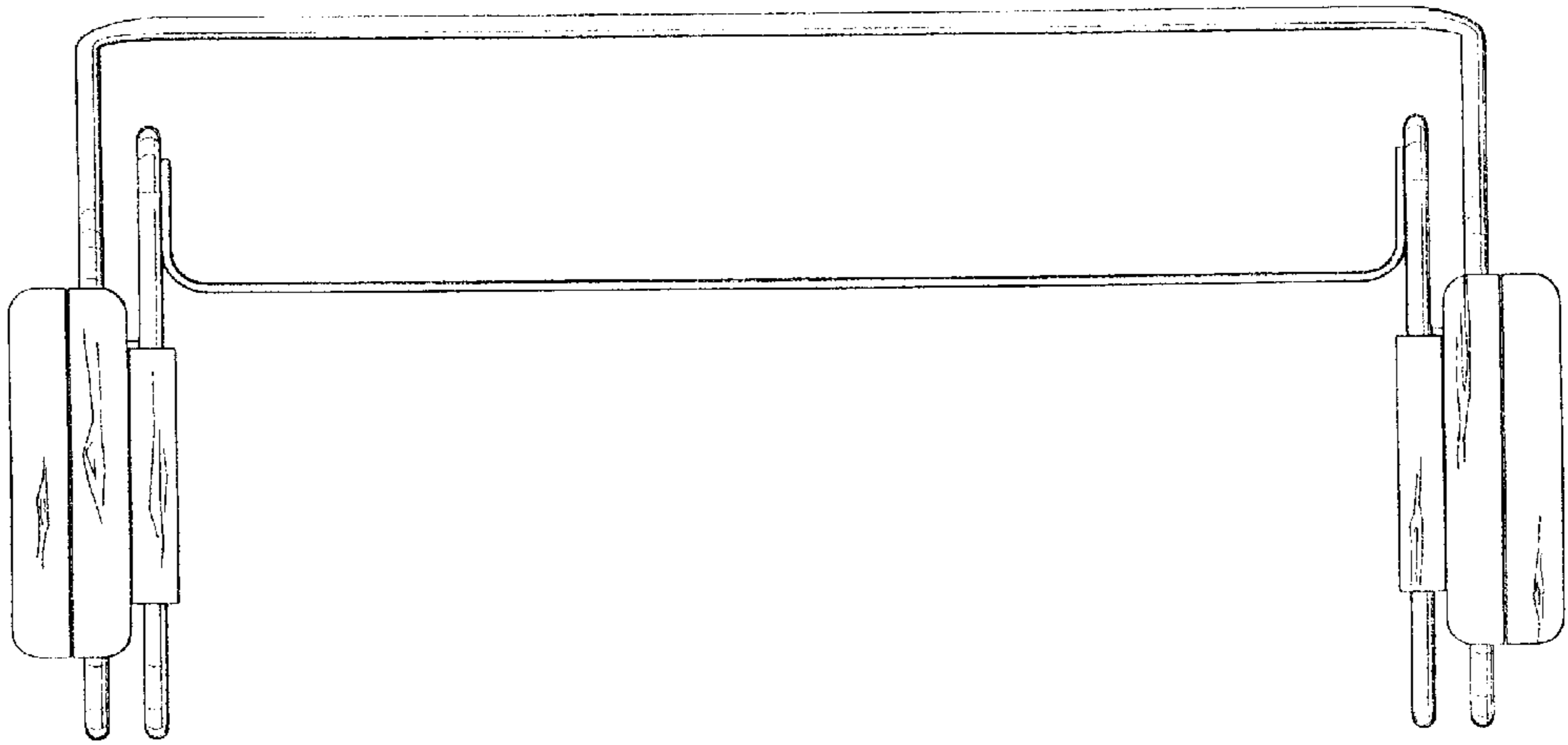


FIG. 4

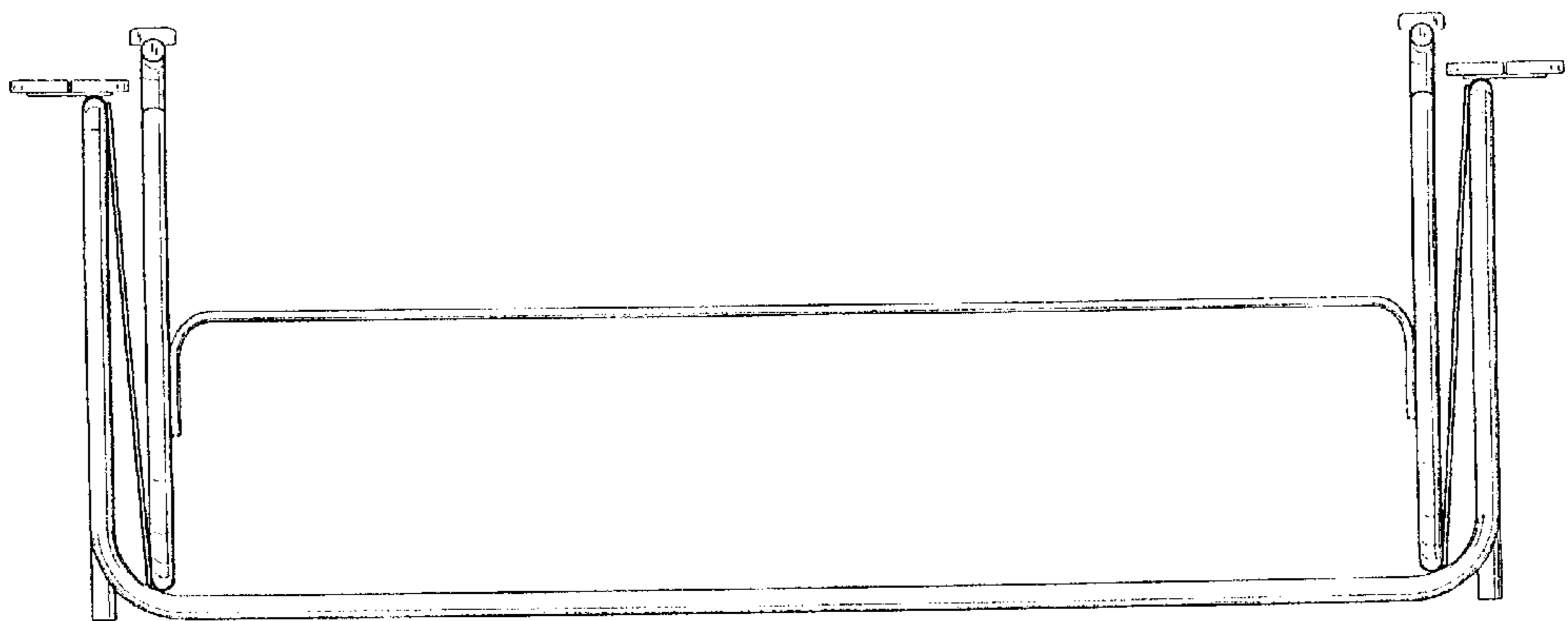


FIG. 5

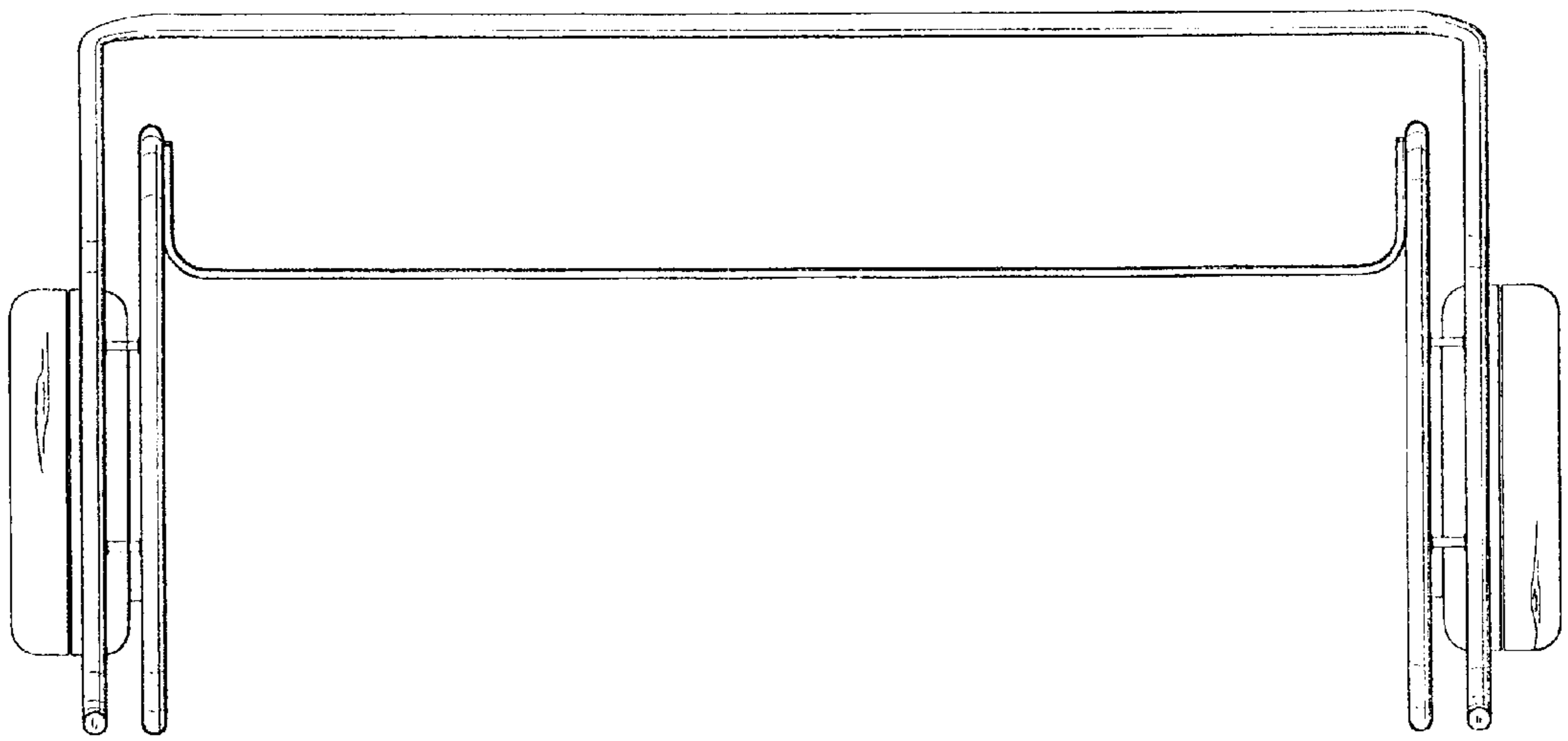


FIG. 6