



US00D473723S

(12) **United States Design Patent**
Pesso

(10) **Patent No.:** **US D473,723 S**

(45) **Date of Patent:** **** Apr. 29, 2003**

(54) **SEATING FURNITURE**

(75) **Inventor:** **David Allan Pesso**, Boca Raton, FL (US)

(73) **Assignee:** **Krueger International, Inc.**, Green Bay, WI (US)

(**) **Term:** **14 Years**

(21) **Appl. No.:** **29/161,985**

(22) **Filed:** **Jun. 7, 2002**

(65) **Prior Publication Data**

(65)

(51) **LOC (7) Cl.** **06-01**

(52) **U.S. Cl.** **D6/334; D6/381**

(58) **Field of Search** **D6/334, 335, 336, D6/364, 371, 381, 492, 500, 501, 502; 5/12.1; 297/232**

(56) **References Cited**

U.S. PATENT DOCUMENTS

D329,543 S	*	9/1992	Shields	D6/334
D367,364 S	*	2/1996	Lewis	D6/334
D379,269 S	*	5/1997	Hutton	D6/334
D380,095 S	*	6/1997	Diaz-Azcuy	D6/334
D392,470 S	*	3/1998	Smith	D6/334
D399,661 S	*	10/1998	Smith	D6/334
D423,808 S	*	5/2000	Natuzzi et al.	D6/381
D424,317 S	*	5/2000	Natuzzi et al.	D6/381
D427,448 S	*	7/2000	Natuzzi et al.	D6/381
D431,117 S	*	9/2000	Hutton	D6/334
D448,946 S	*	10/2001	Goetz	D6/381

OTHER PUBLICATIONS

Natuzzi Model 1308, International Home Furnishings Market, High Point, NC, Apr. 1995.*

* cited by examiner

Primary Examiner—Gary D. Watson

(74) *Attorney, Agent, or Firm*—Boyle Fredrickson, Newholm, Stein & Gratz, S.C.

(57) **CLAIM**

The ornamental design for seating furniture, as shown and described.

DESCRIPTION

FIG. 1 is an isometric view of seating furniture, in the form of a chair, incorporating my new design;

FIG. 2 is a front elevation view thereof;

FIG. 3 is a right side elevation view thereof, the left side elevation being a mirror image;

FIG. 4 is a top plan view thereof;

FIG. 5 is a rear elevation view thereof;

FIG. 6 is an isometric view of another embodiment of seating furniture, in the form of a love seat, incorporating my new design;

FIG. 7 is a front elevation view thereof;

FIG. 8 is a right side elevation view thereof, the left side elevation being a mirror image;

FIG. 9 is a top plan view thereof;

FIG. 10 is a rear elevation view thereof;

FIG. 11 is an isometric view of another embodiment of seating furniture, in the form of a sofa, incorporating my new design, wherein the side elevation views are the same as the chair and love seat of FIGS. 1 and 6, respectively;

FIG. 12 is a front elevation view thereof;

FIG. 13 is a top plan view thereof; and,

FIG. 14 is a rear elevation view thereof.

1 Claim, 10 Drawing Sheets

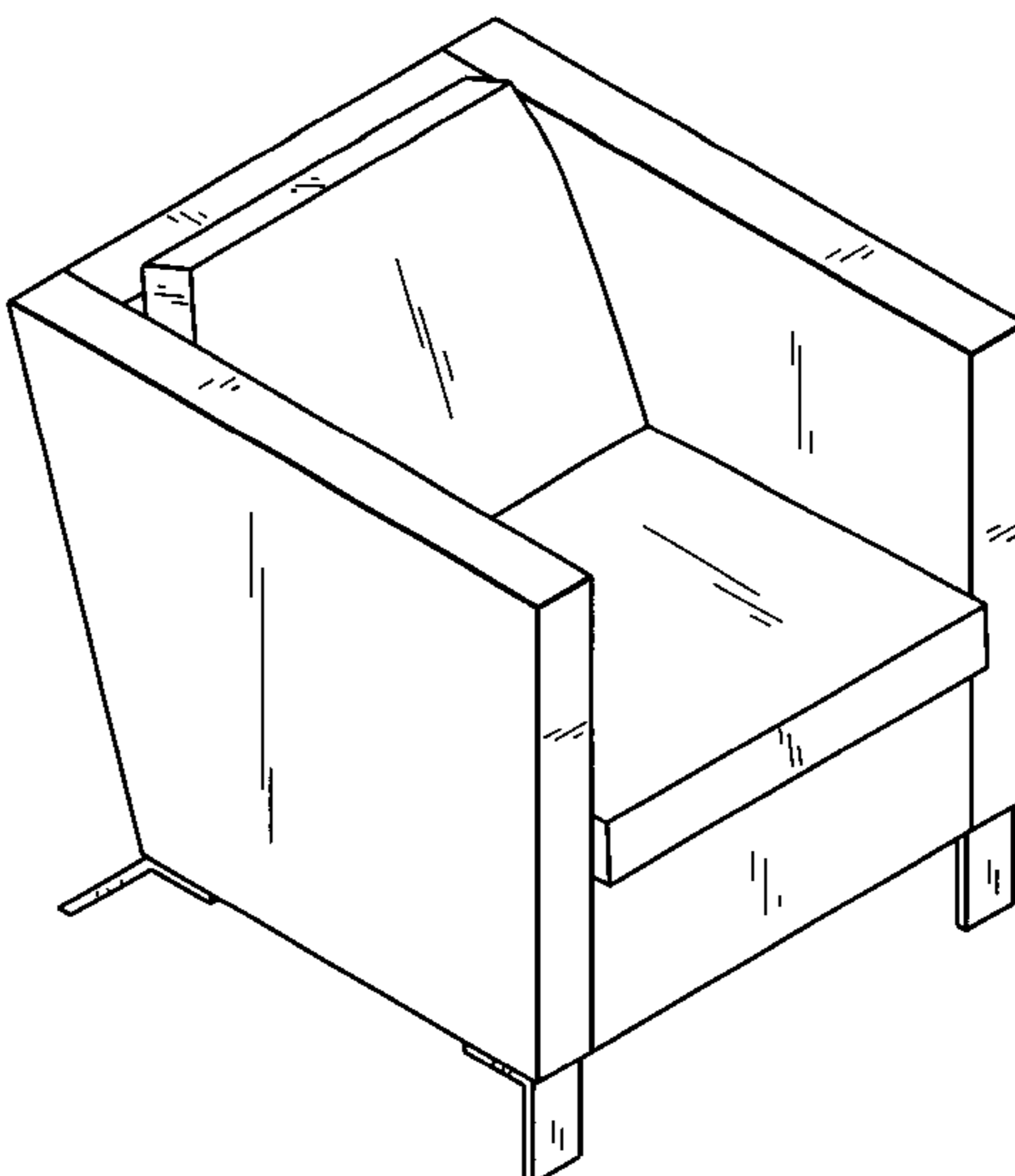


FIG. 1

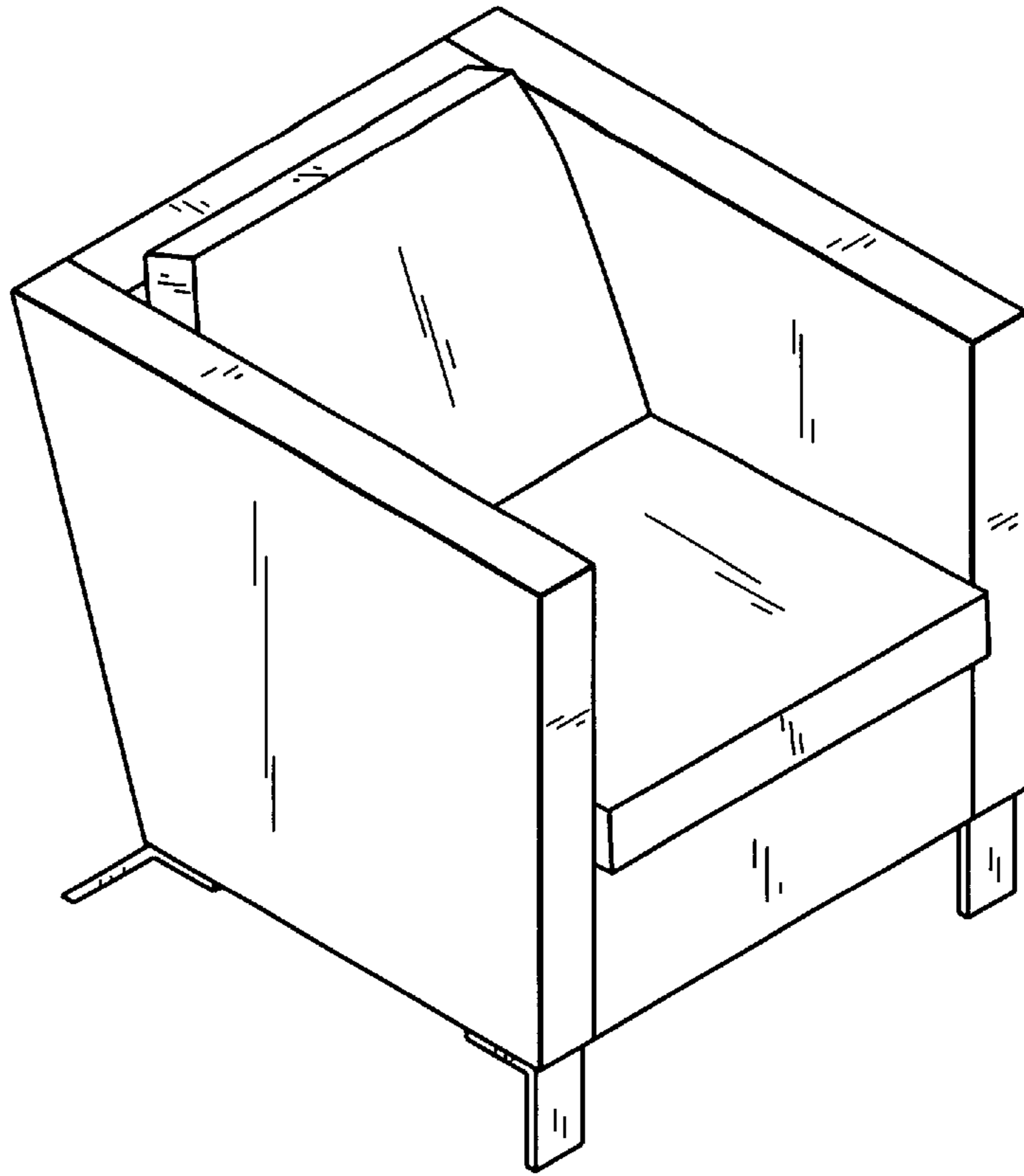
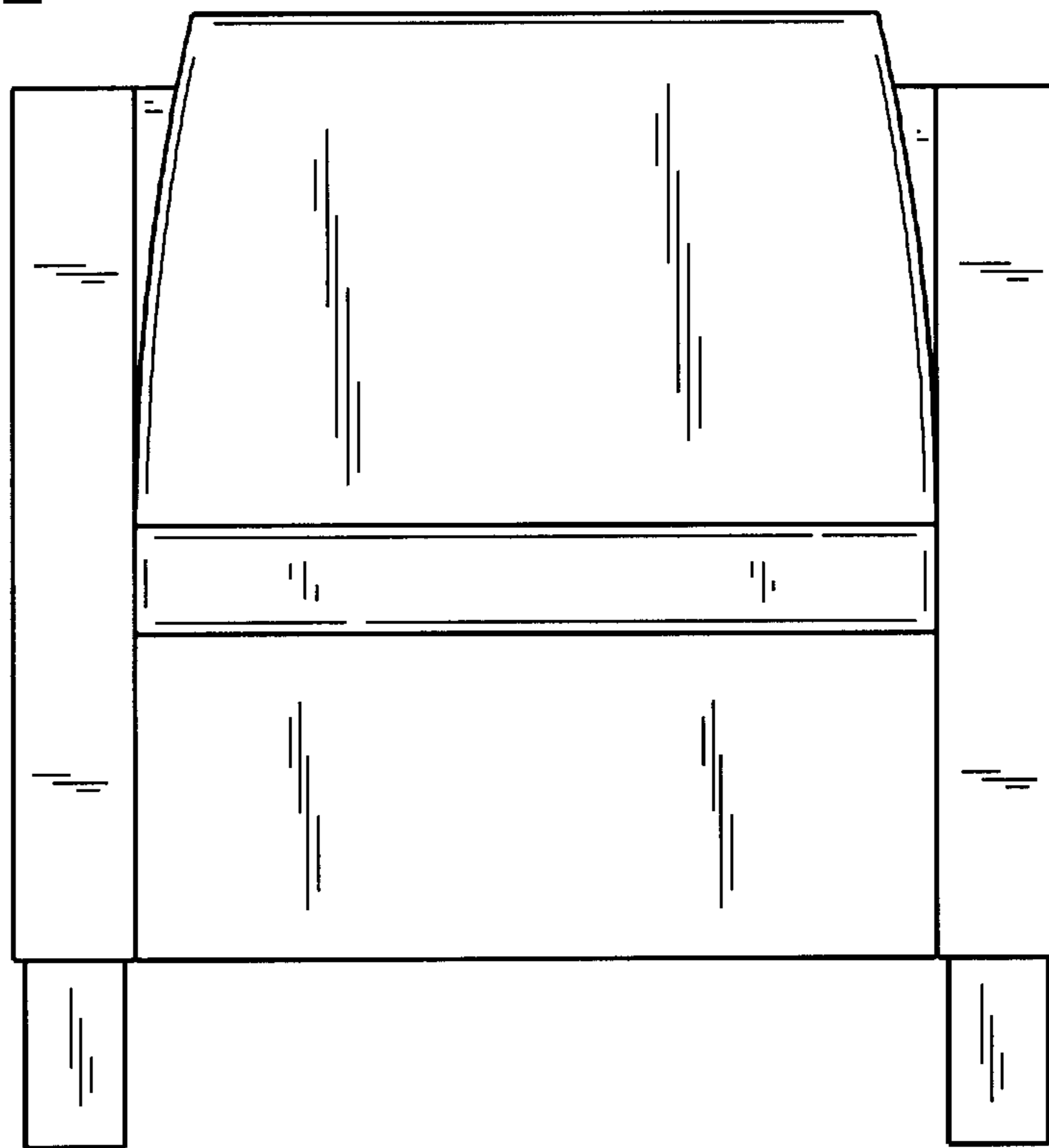


FIG. 2



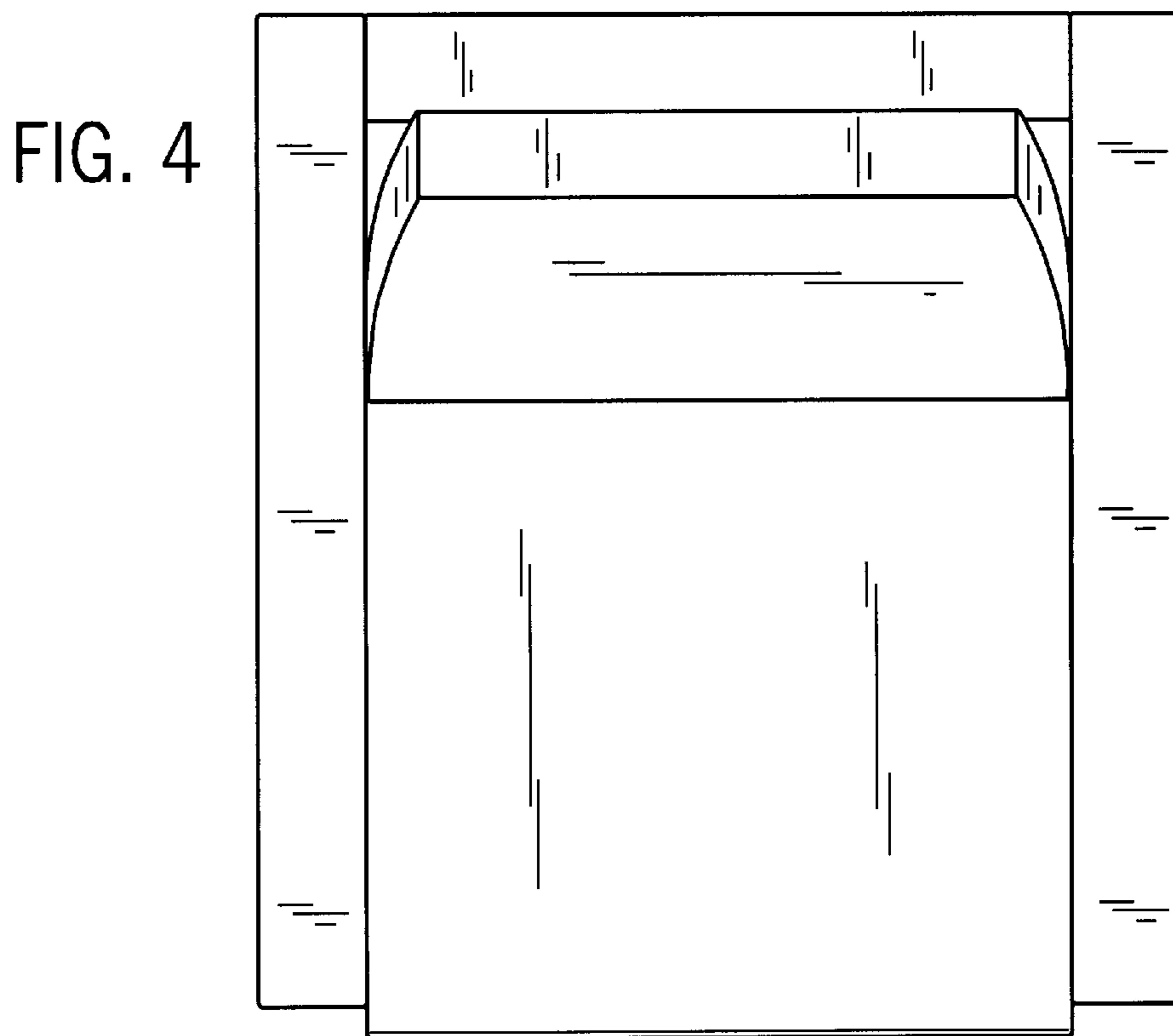
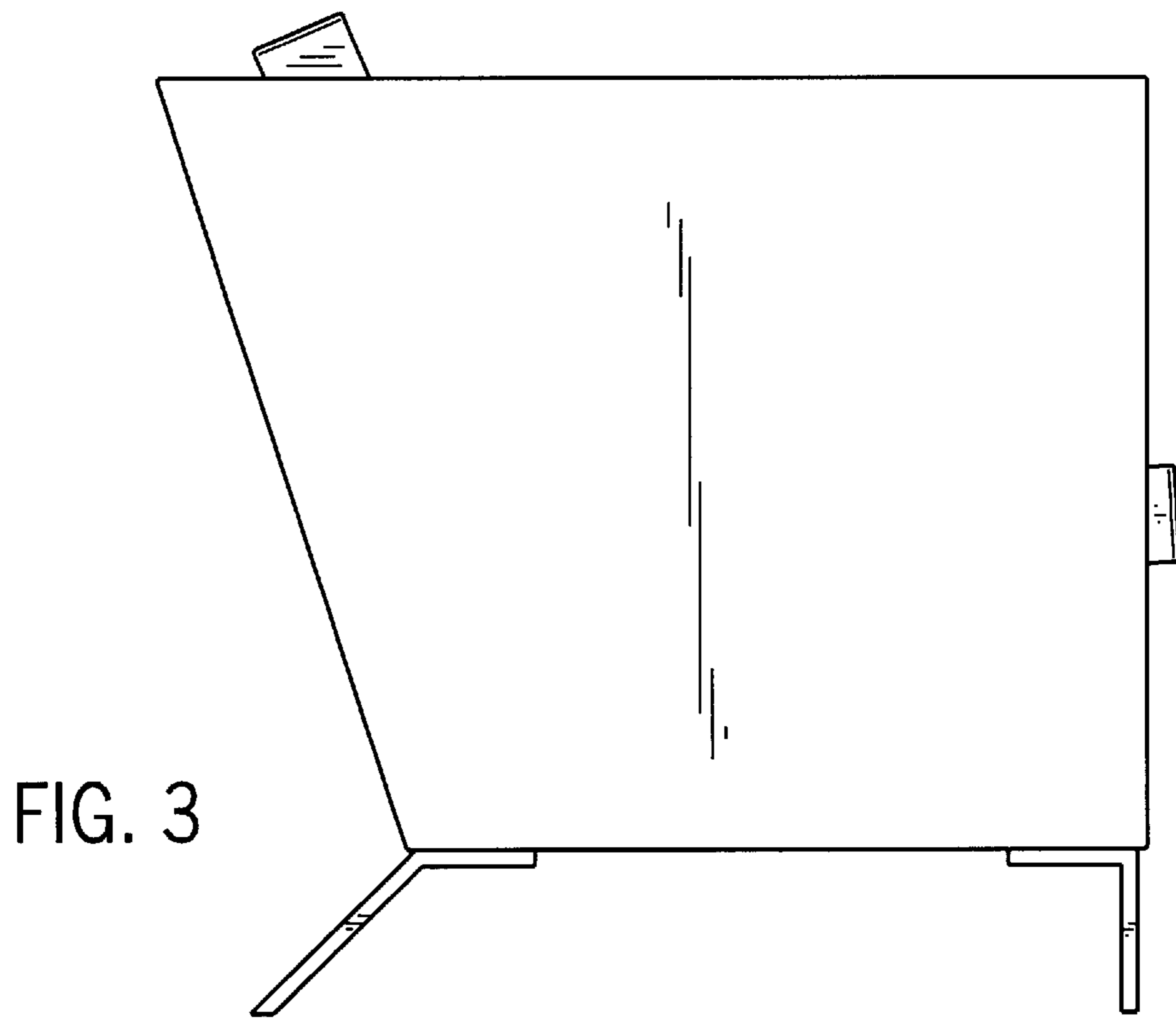


FIG. 5

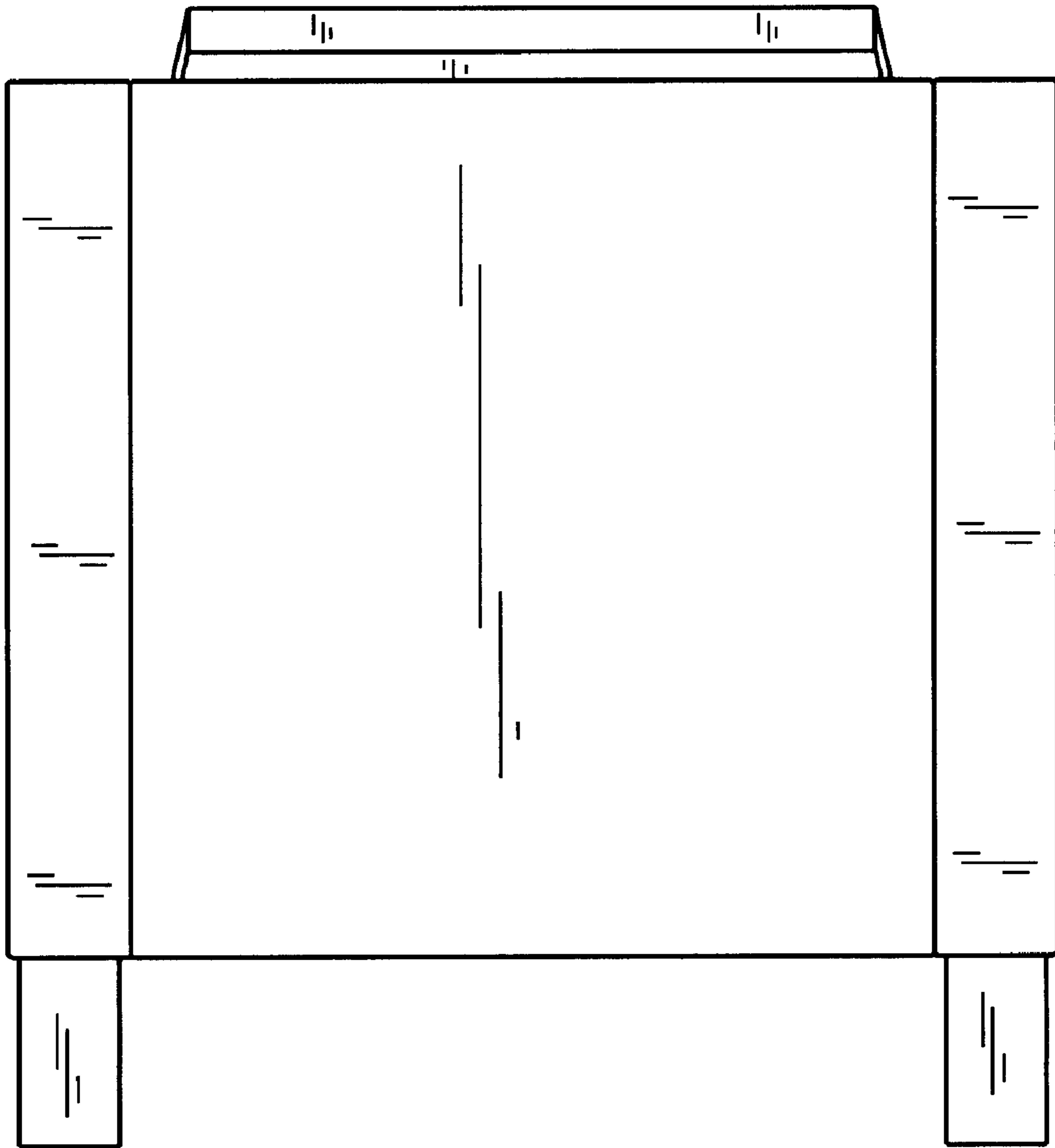


FIG. 6

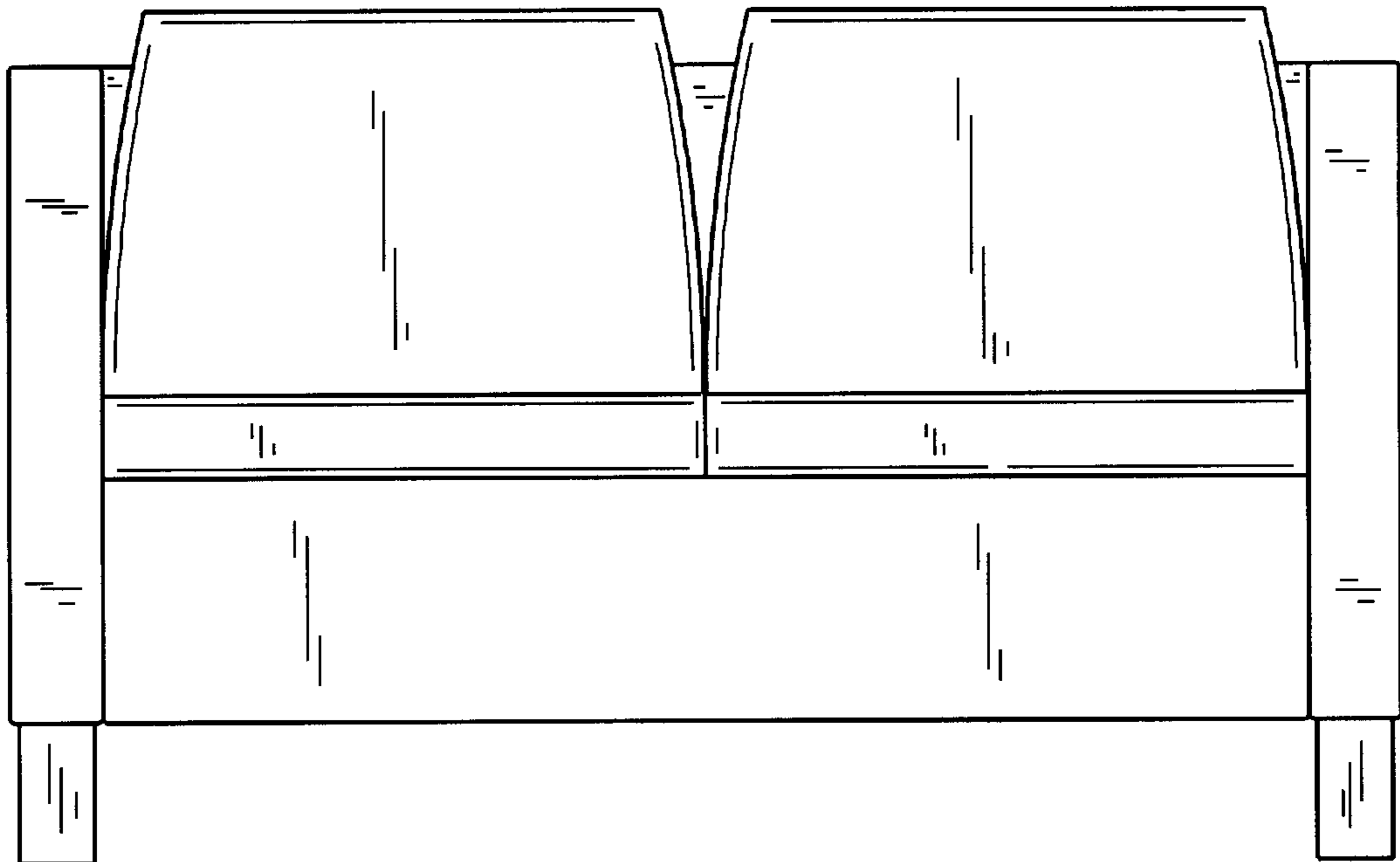
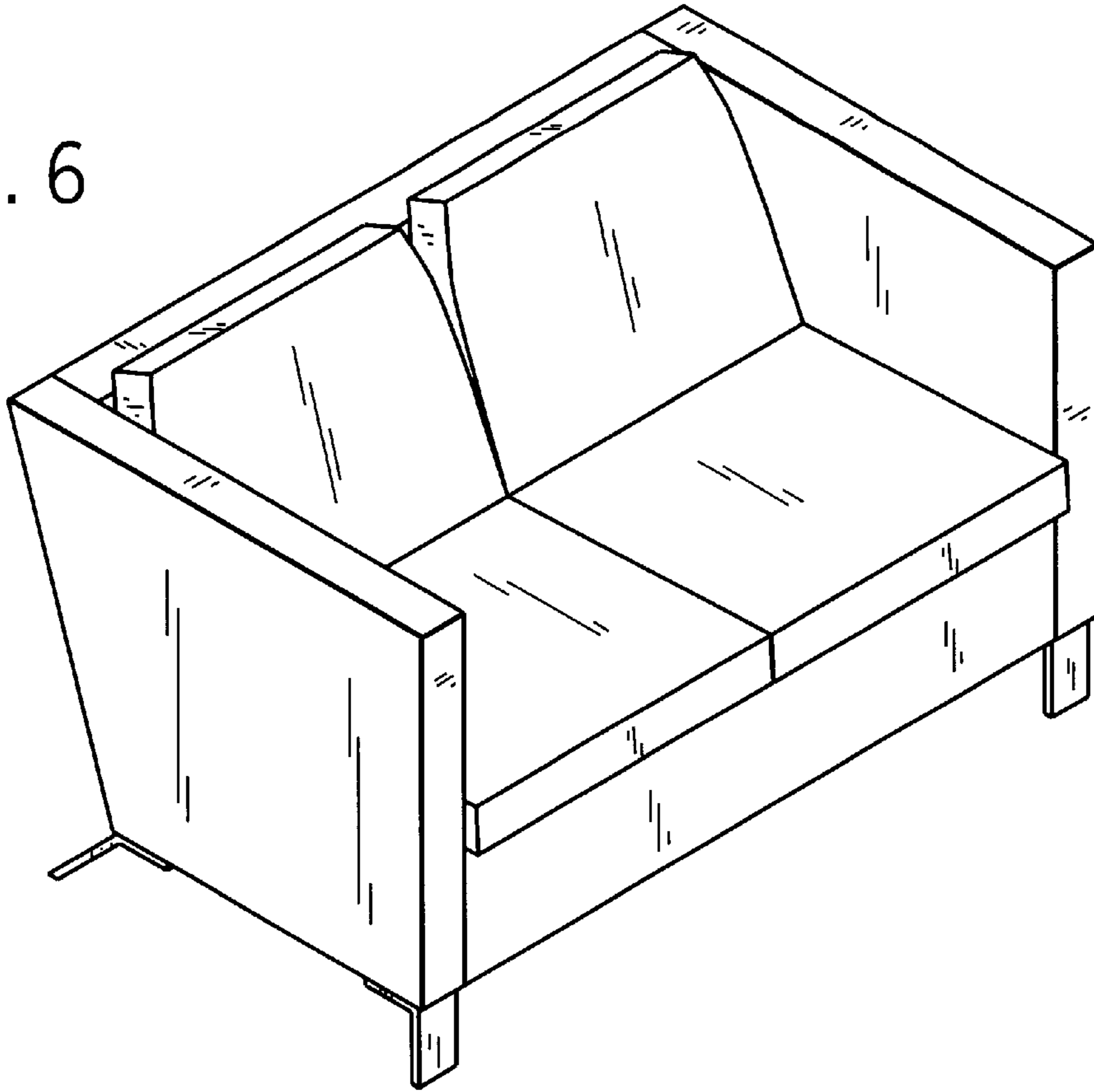


FIG. 7

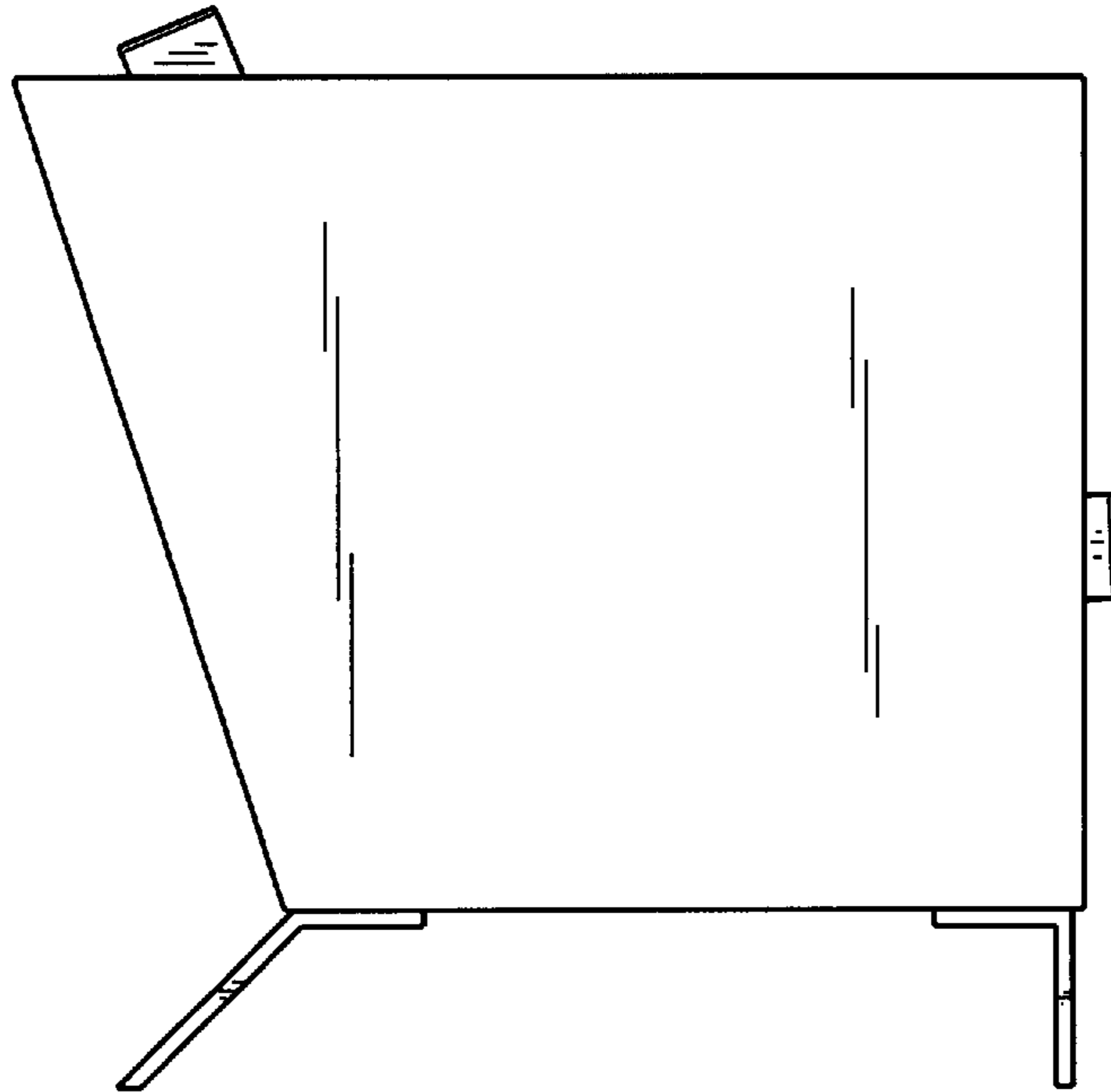


FIG. 8

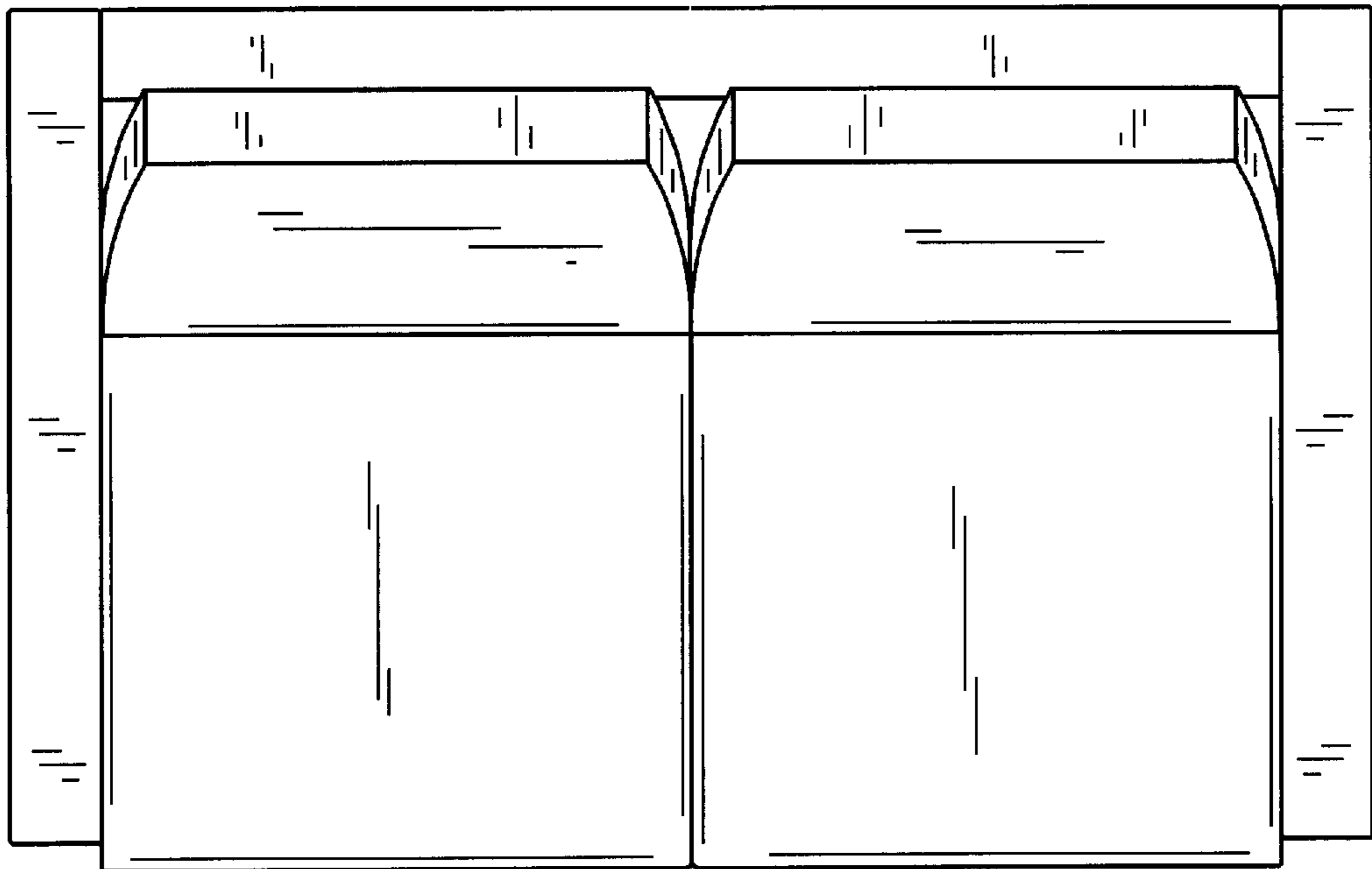


FIG. 9

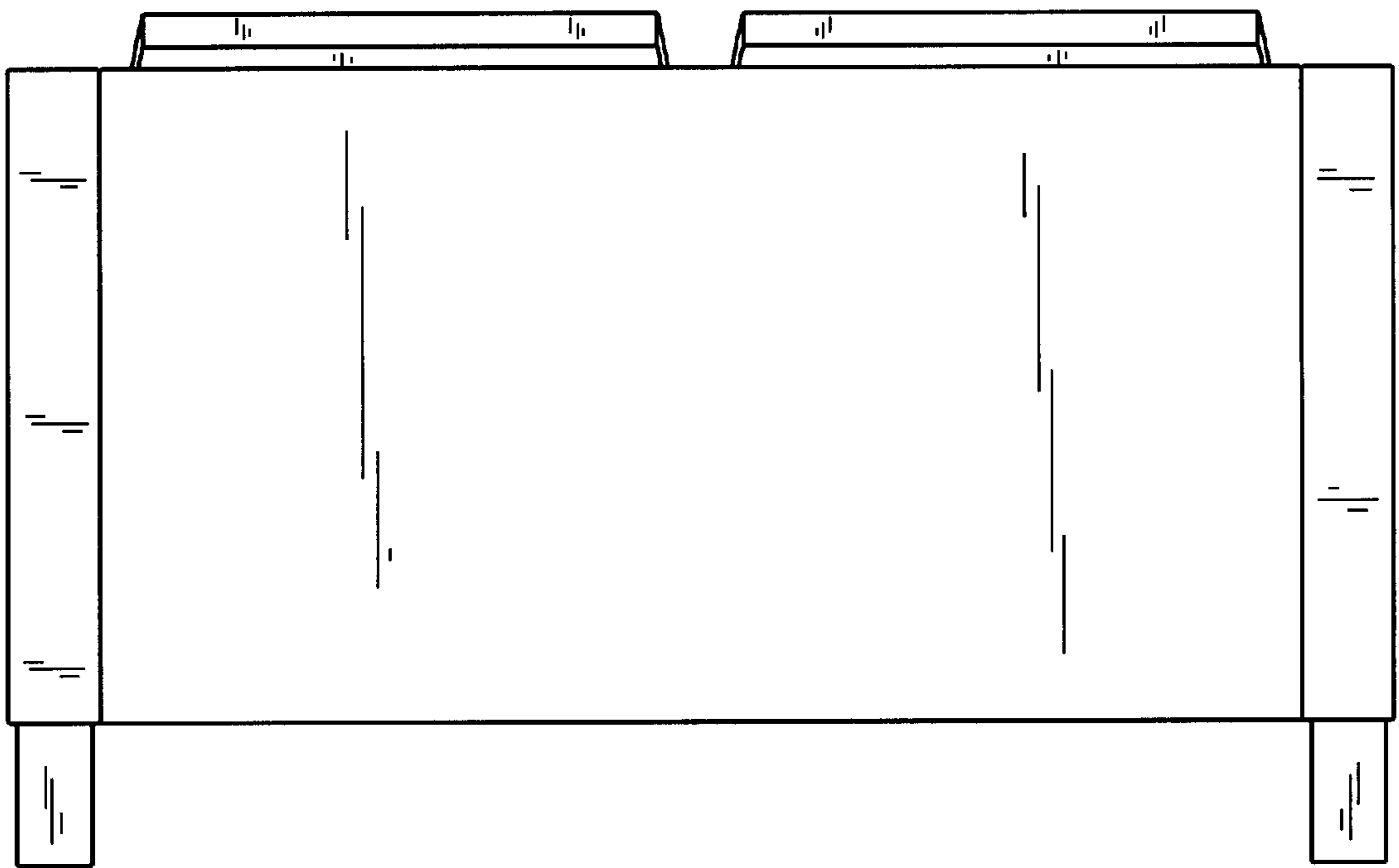
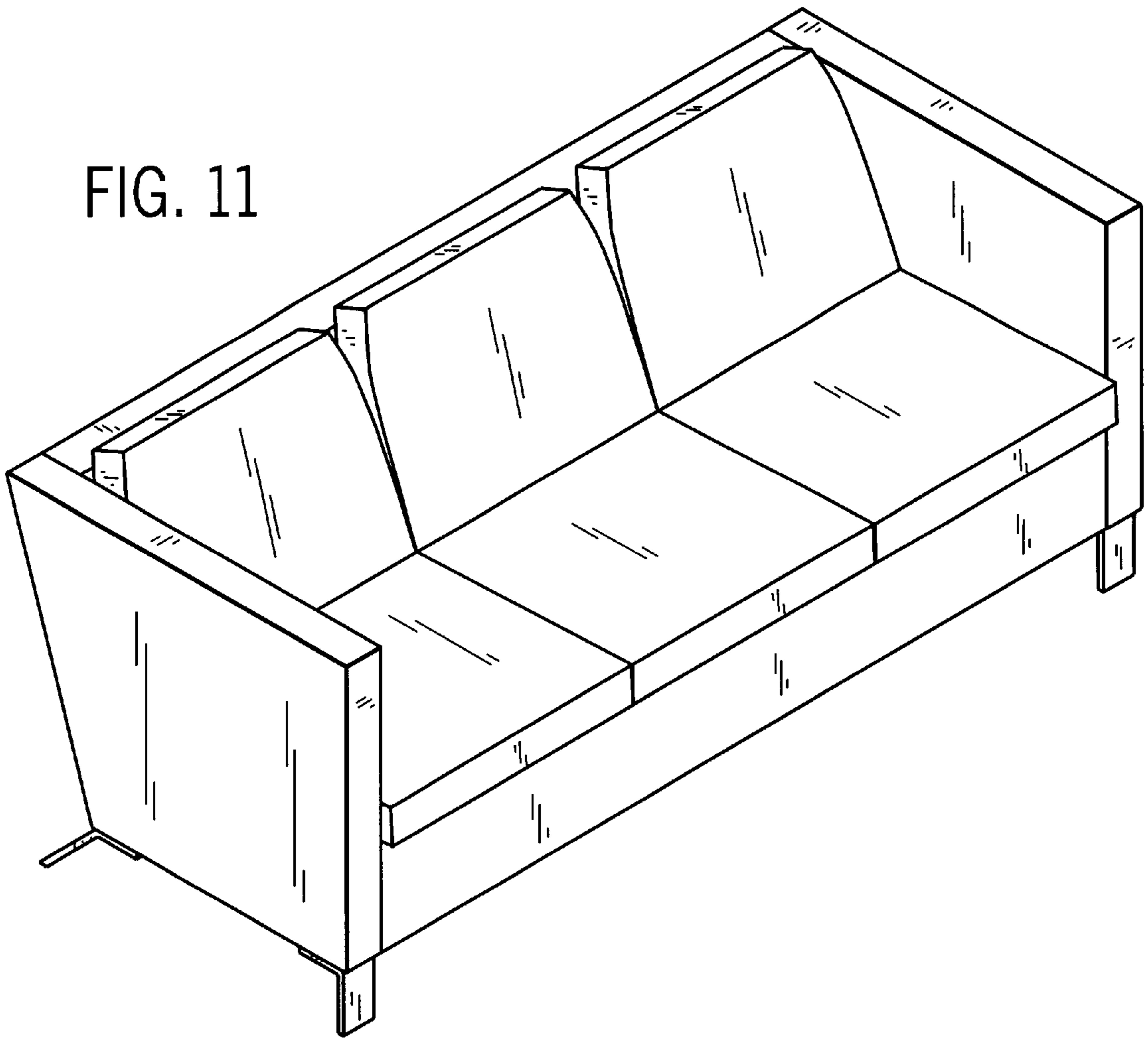


FIG. 10

FIG. 11



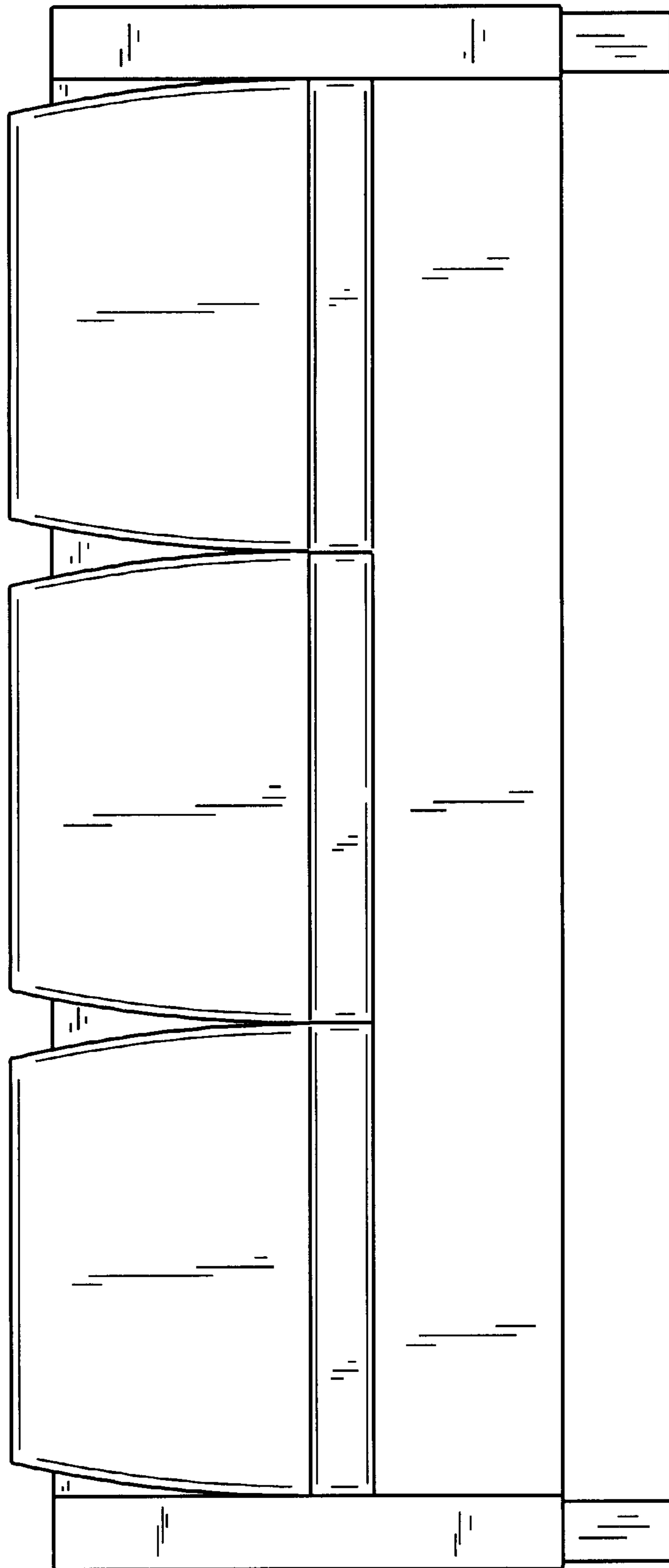


FIG. 12

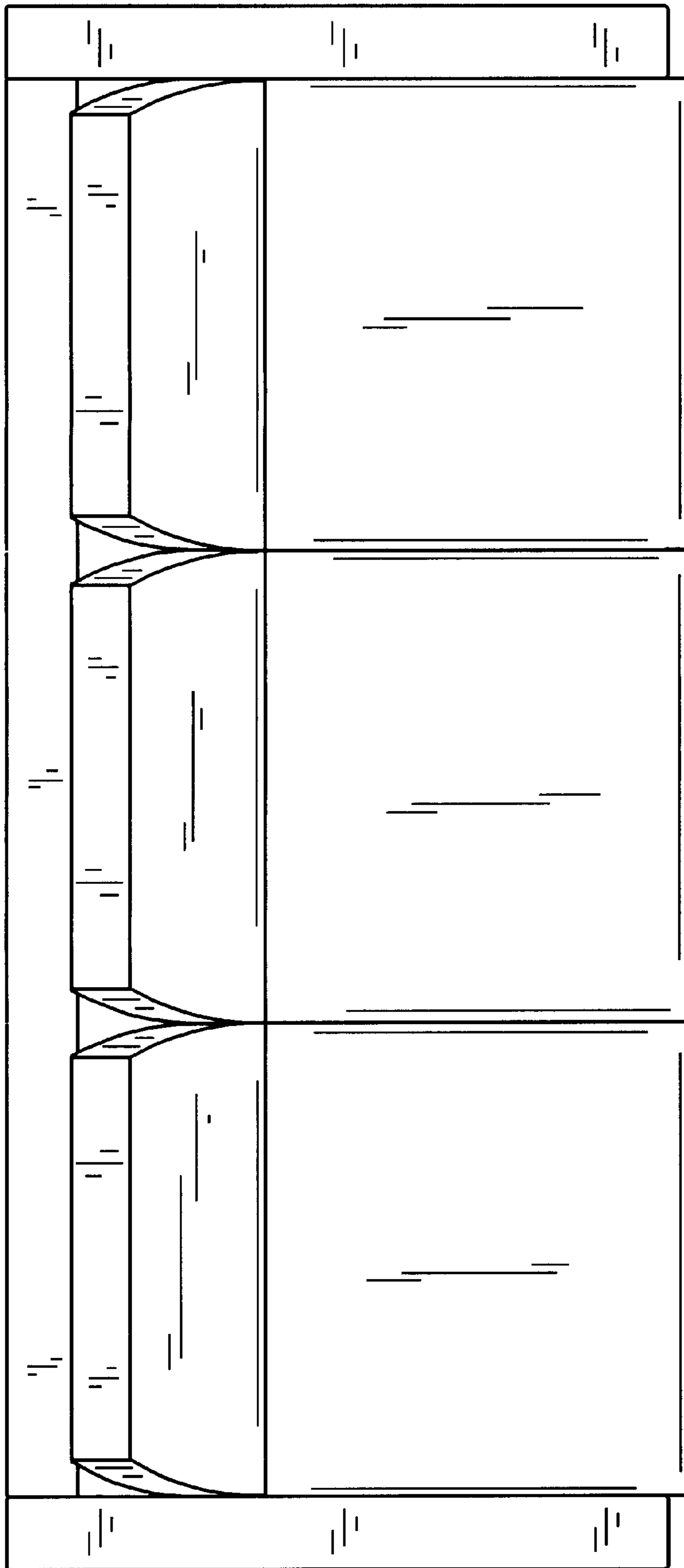


FIG. 13

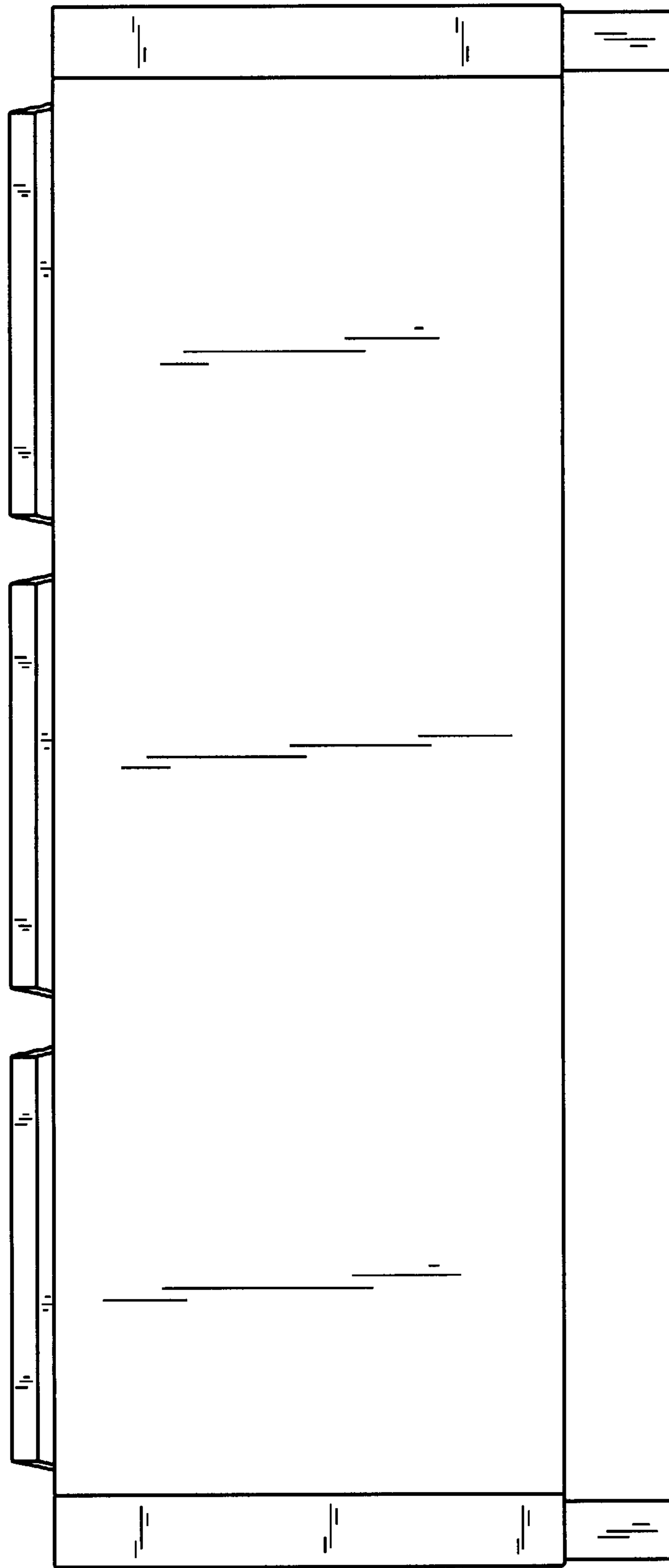


FIG. 14