



US00D473722S

(12) **United States Design Patent**
Rover

(10) **Patent No.:** **US D473,722 S**

(45) **Date of Patent:** **** Apr. 29, 2003**

(54) **FOOTREST USED TO TIE UP OR UNDO
THE SHOES OR BOOTS**

6,065,807 A * 5/2000 Going et al. 211/37
D456,178 S * 4/2002 Couture et al. D6/477

(76) Inventor: **Ghislain Rover**, 22.Boul., de l'Entente.,
Lévis. (CA), G6V 1R2

* cited by examiner

Primary Examiner—Brian N. Vinson

(**) Term: **14 Years**

(57) **CLAIM**

(21) Appl. No.: **29/153,515**

The ornamental design for a footrest used to tie up or undo the shoes or boots, as shown and described.

(22) Filed: **Jan. 10, 2002**

DESCRIPTION

(51) **LOC (7) Cl.** **06-01**

(52) **U.S. Cl.** **D6/329**

(58) **Field of Search** D6/512, 553, 567,
D6/329, 397, 477; 248/309.1, 310; 211/34-37

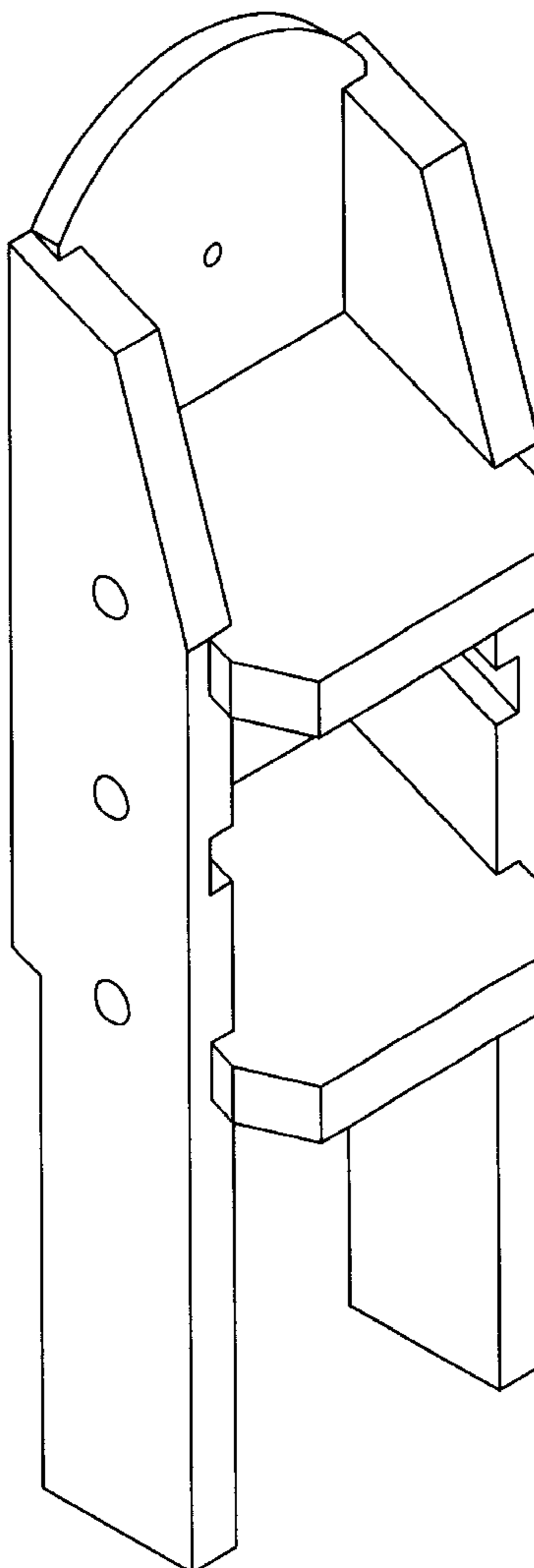
FIG. 1 is a perspective view of a footrest used to tie up or undo the shoes or boots showing my new design;
FIG. 2 is a left side view thereof;
FIG. 3 is an elevational front view thereof;
FIG. 4 is a right side view thereof;
FIG. 5 is an elevational rear view thereof;
FIG. 6 is a top view thereof; and,
FIG. 7 is a bottom view thereof.

(56) **References Cited**

U.S. PATENT DOCUMENTS

D280,050 S * 8/1985 Kempf D6/329
D325,826 S * 5/1992 Brunner et al. D6/397
5,137,240 A * 8/1992 Meter 211/35

1 Claim, 2 Drawing Sheets



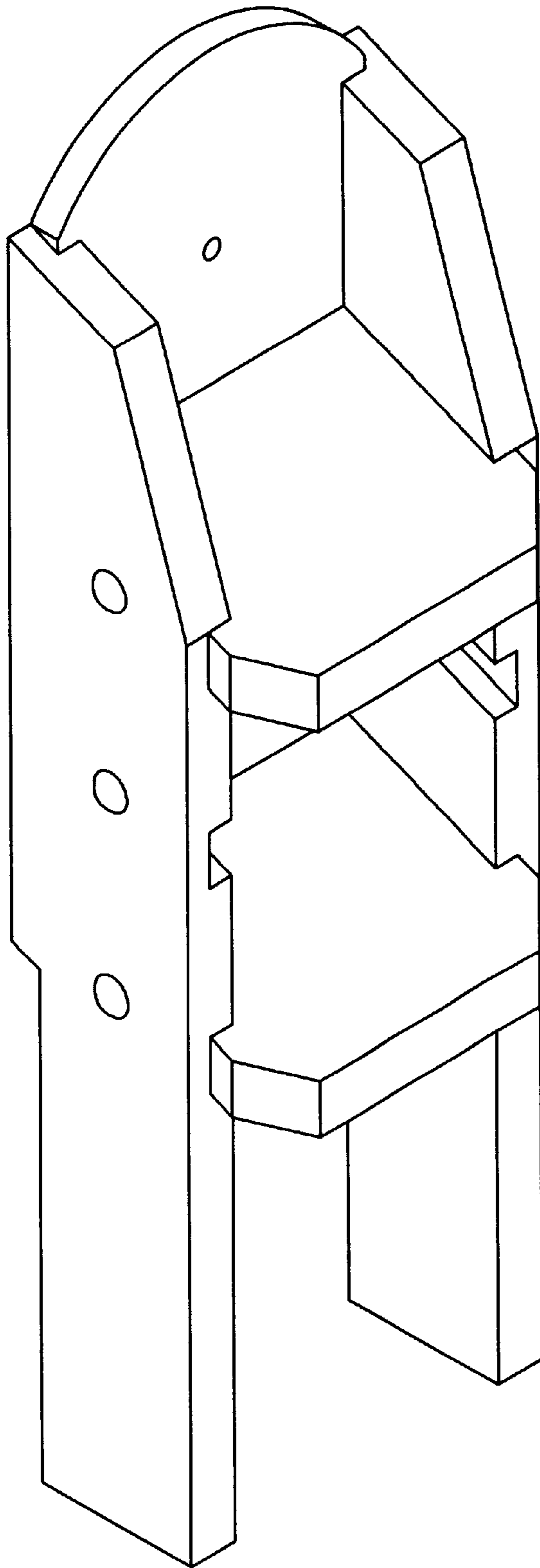


Figure 1

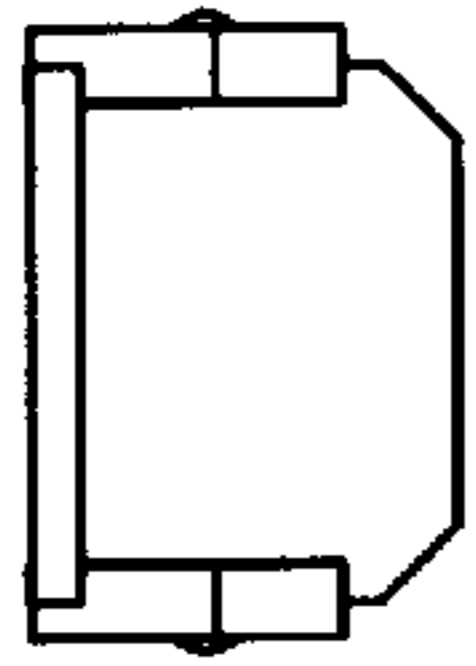


Figure 6

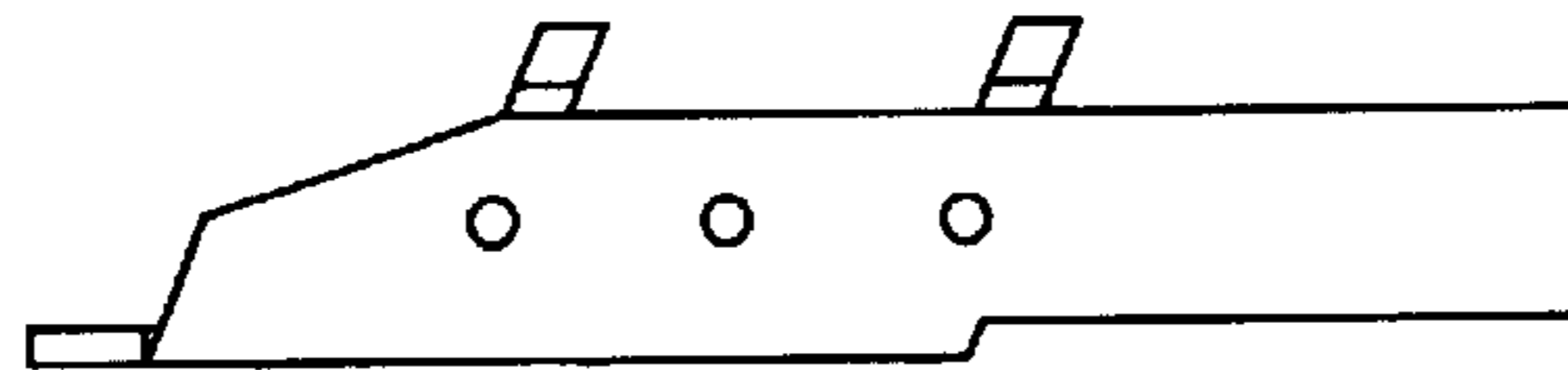


Figure 2

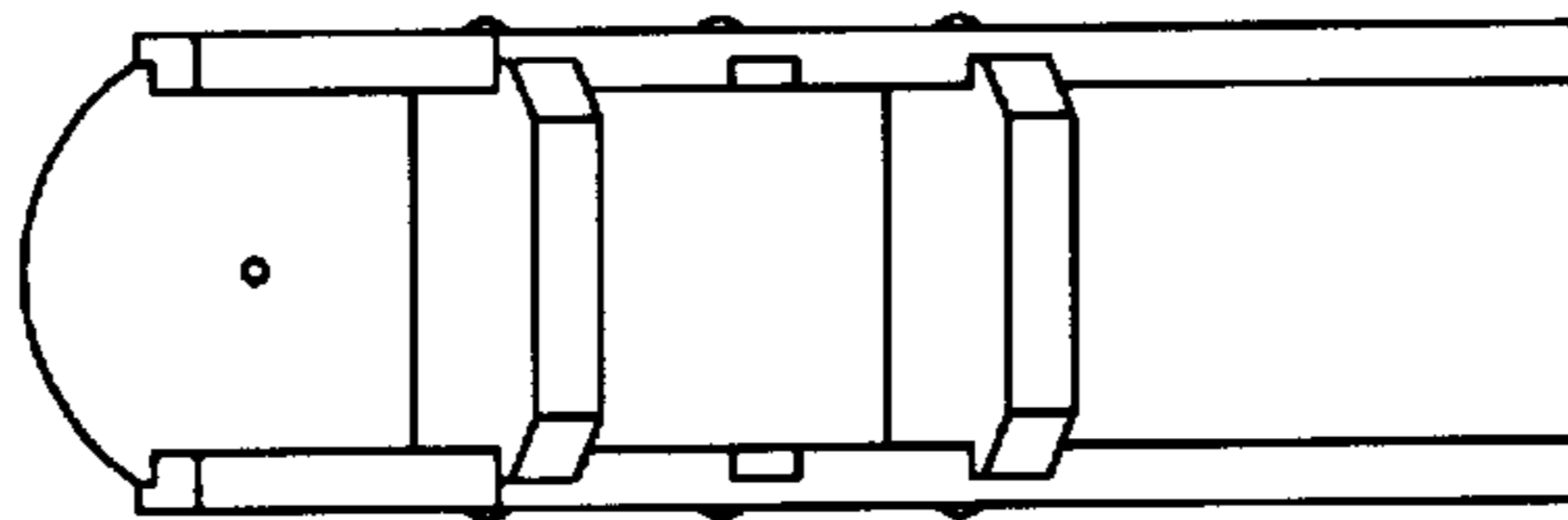


Figure 3

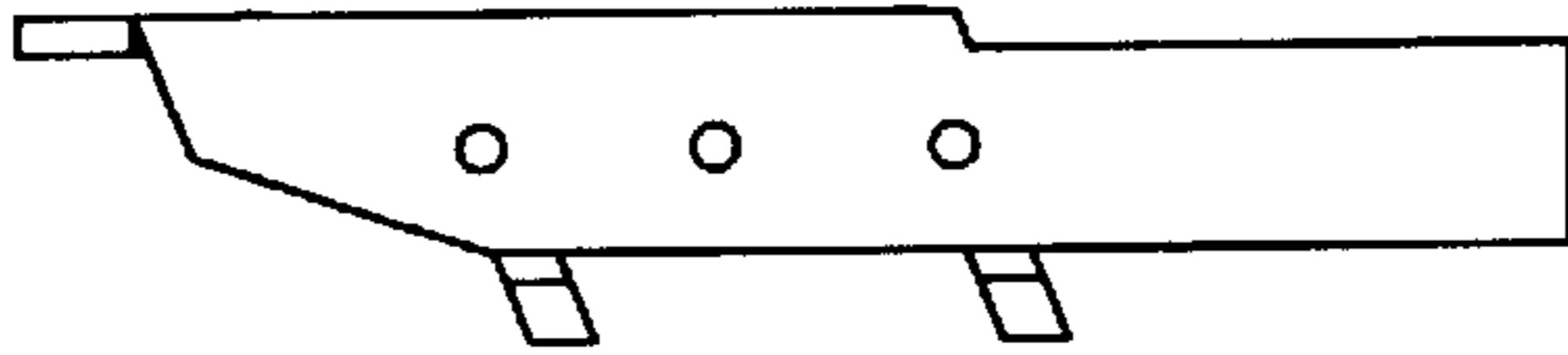


Figure 4

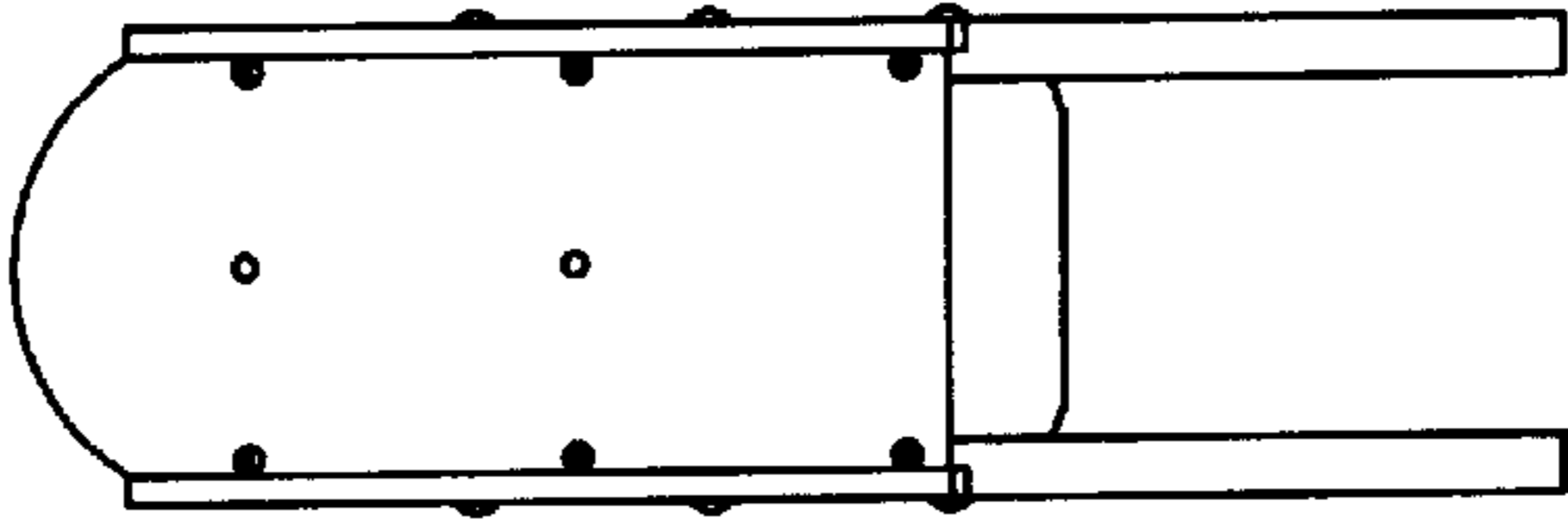


Figure 5

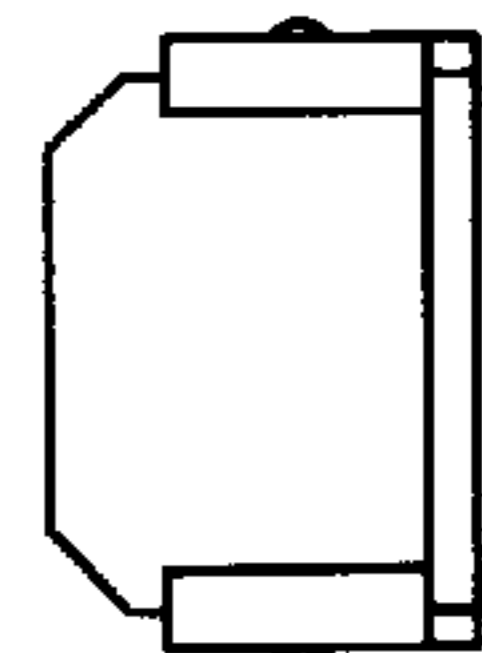


Figure 7