



US00D473721S

(12) **United States Design Patent**  
**Chu**

(10) **Patent No.:** **US D473,721 S**

(45) **Date of Patent:** **\*\* Apr. 29, 2003**

(54) **ACRYLIC PICTURE FRAME**

D382,017 S \* 8/1997 Bohr et al. .... D20/10

(76) **Inventor:** **Tak Wah James Chu**, Flat A, 6/F,  
Dragon Villa, 7 Tsing Ha Lane, Tuen  
Mun, N.T. (HK)

(\*\*) **Term:** **14 Years**

(21) **Appl. No.:** **29/165,953**

(22) **Filed:** **Aug. 19, 2002**

(51) **LOC (7) Cl.** ..... **06-07**

(52) **U.S. Cl.** ..... **D6/314**

(58) **Field of Search** ..... D6/300-303, 308-314;  
40/700, 711, 714, 715, 735, 737, 738, 739,  
790, 798, 800, 661; D20/40, 41

(56) **References Cited**

**U.S. PATENT DOCUMENTS**

- D267,890 S \* 2/1983 Samuels, Jr. .... D20/41
- D275,970 S \* 10/1984 Bowers ..... D6/470
- D284,777 S \* 7/1986 Anthony ..... D6/314 X
- D347,025 S \* 5/1994 Asselin ..... D20/41

**OTHER PUBLICATIONS**

Display Innovations in Acrylic, p. 8, shoe stands at bottom center.\*

\* cited by examiner

*Primary Examiner*—Janice E. Seeger  
(74) *Attorney, Agent, or Firm*—Jen-Feng Lee

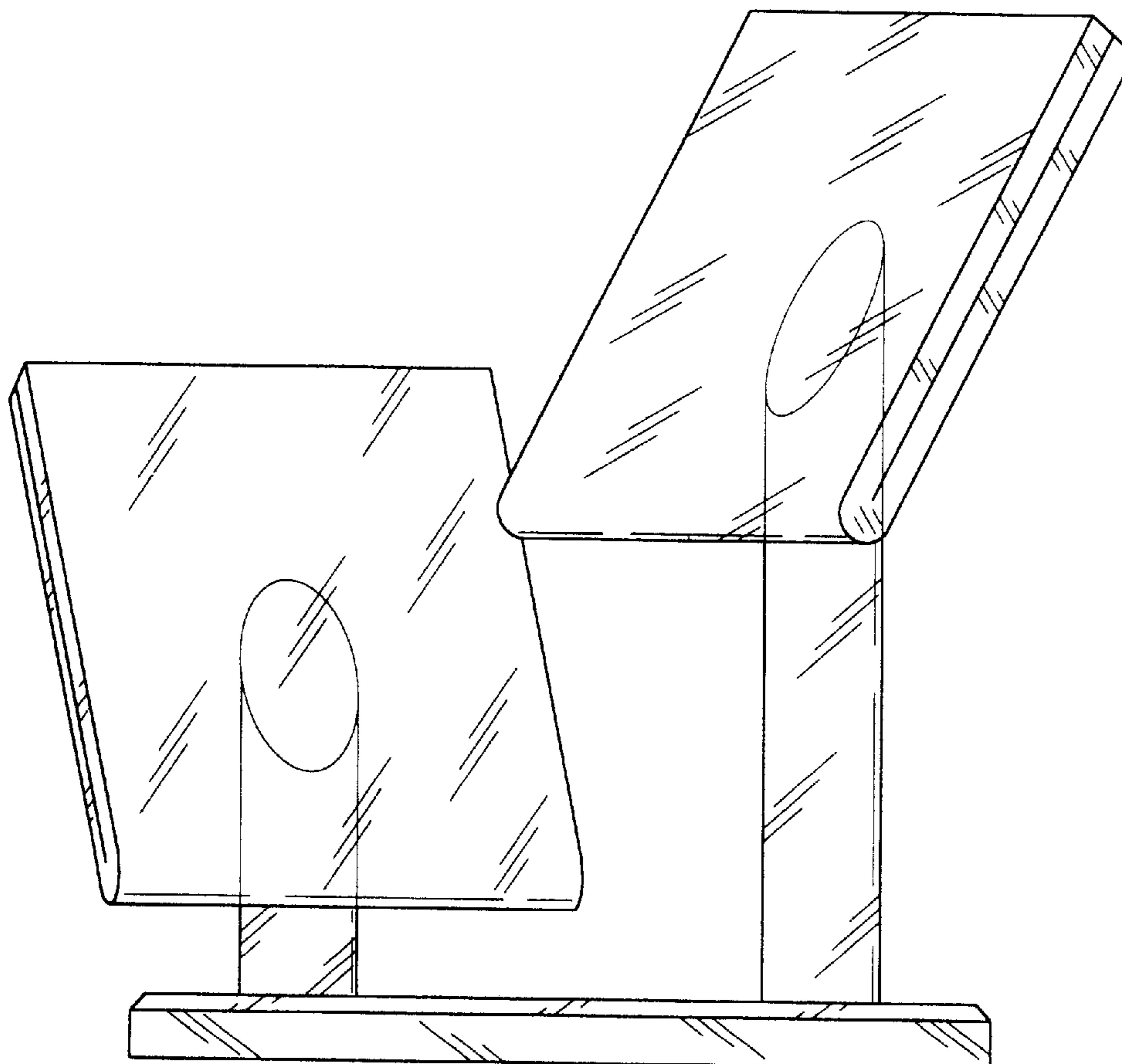
(57) **CLAIM**

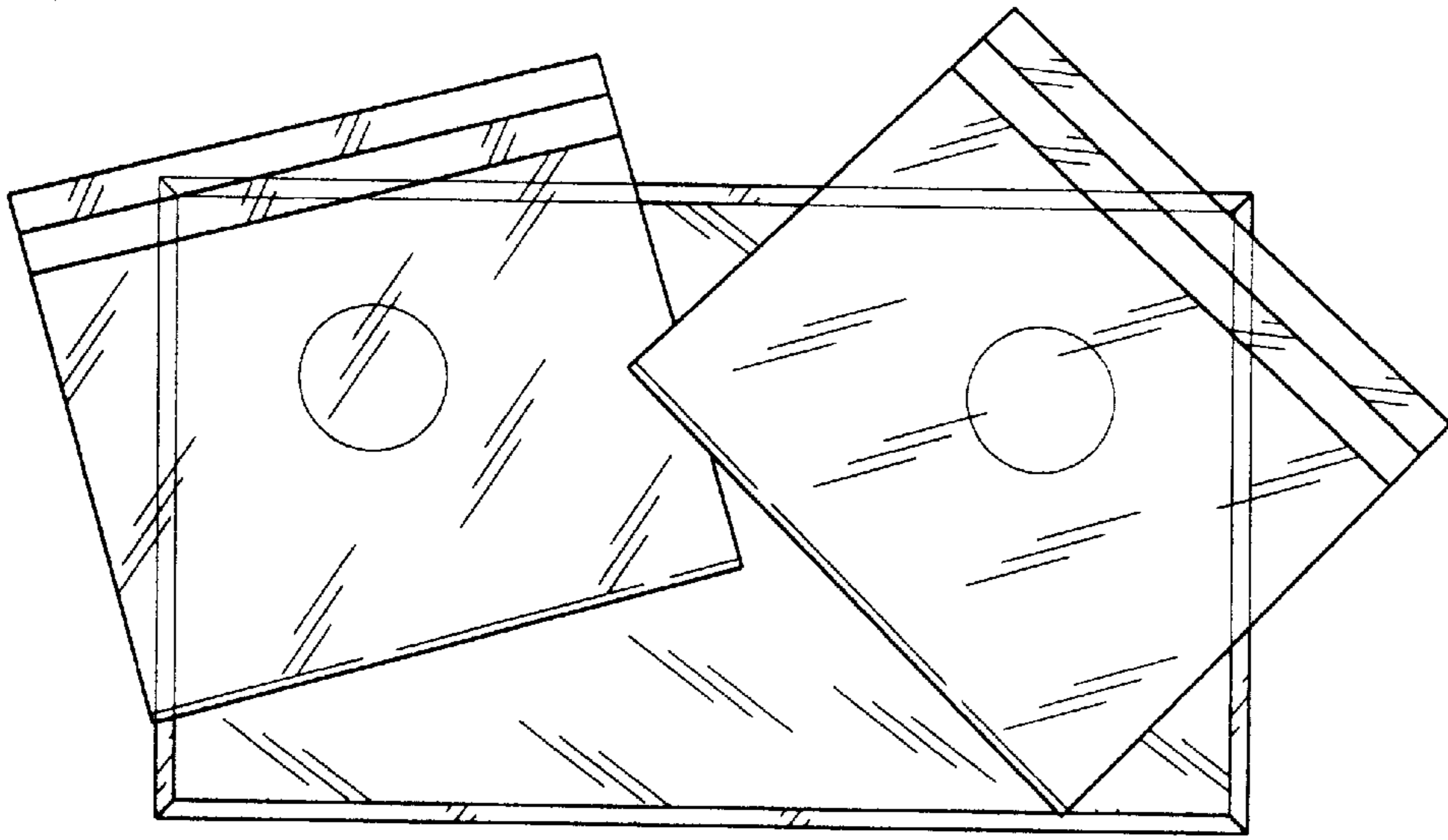
The ornamental design for an acrylic picture frame, shown and described.

**DESCRIPTION**

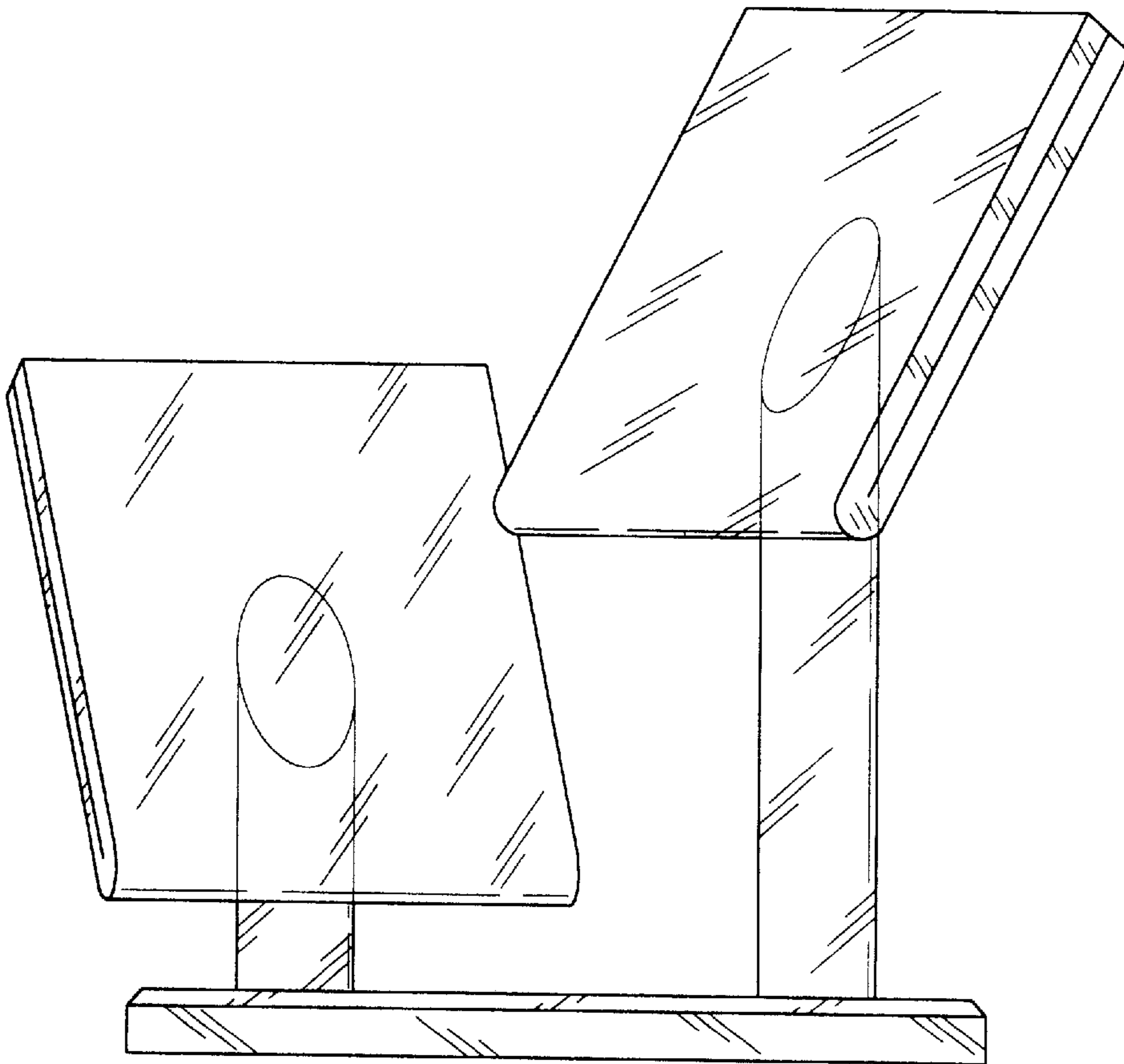
FIG. 1 is a side elevational view of an acrylic picture frame, showing my new design; and, FIG. 2 is a top plan view thereof. Pictures or photos are inserted into the gap created by the fold-back portion of acrylic material.

**1 Claim, 1 Drawing Sheet**





*Fig. 2*



*Fig. 1*