



US00D473716S

(12) **United States Design Patent**
Nykoluk

(10) **Patent No.:** **US D473,716 S**

(45) **Date of Patent:** **** Apr. 29, 2003**

(54) **TOWING HANDLE FOR A PIECE OF BAGGAGE**

(75) **Inventor:** **Cory O. Nykoluk, St. Louis, MO (US)**

(73) **Assignee:** **TRG Accessories, Inc., St. Louis, MO (US)**

(**) **Term:** **14 Years**

(21) **Appl. No.:** **29/169,460**

(22) **Filed:** **Oct. 21, 2002**

(51) **LOC (7) Cl.** **03-99**

(52) **U.S. Cl.** **D3/318**

(58) **Field of Search** D3/318, 320, 323;
D8/302, 316, 319, 320, 321; D34/24, 26;
190/18 A, 39, 115, 102, 113; 224/153;
16/113.1, 405; 280/37, 40, 47.315, 47.371,
655

(56) **References Cited**

U.S. PATENT DOCUMENTS

D194,834 S	3/1963	Parker et al.	
3,896,759 A	7/1975	Ogura	
D278,878 S	5/1985	Workman et al.	
5,048,649 A *	9/1991	Carpenter et al.	280/37 X
5,075,925 A *	12/1991	Maloney	280/37 X
5,207,440 A *	5/1993	Liang	280/37 X
5,330,037 A	7/1994	Wang	
5,353,900 A *	10/1994	Stilley	280/37 X
5,394,965 A *	3/1995	Kho	280/37 X
5,564,538 A	10/1996	Sadow	
D388,685 S *	1/1998	Schlereth	D8/319
5,722,118 A	3/1998	Hansen et al.	
D402,468 S	12/1998	Killins	

6,279,706 B1	8/2001	Mao
6,434,790 B1	8/2002	Chen
2002/0050429 A1	5/2002	Nykoluk et al.
2002/0125088 A1	9/2002	Nykoluk et al.
2002/0144874 A1	10/2002	Nykoluk et al.

* cited by examiner

Primary Examiner—Louis S. Zarfes

Assistant Examiner—Monica A. Weingart

(74) *Attorney, Agent, or Firm*—Lewis, Rice & Fingersh, L.C.

(57) **CLAIM**

The ornamental design for a towing handle for a piece of baggage, as shown and described.

DESCRIPTION

FIG. 1 provides a perspective view of the towing handle for a piece of baggage.

FIG. 2 provides a front view of the towing handle for a piece of baggage.

FIG. 3 provides a back view of the towing handle for a piece of baggage.

FIG. 4 provides a right side view of the towing handle for a piece of baggage.

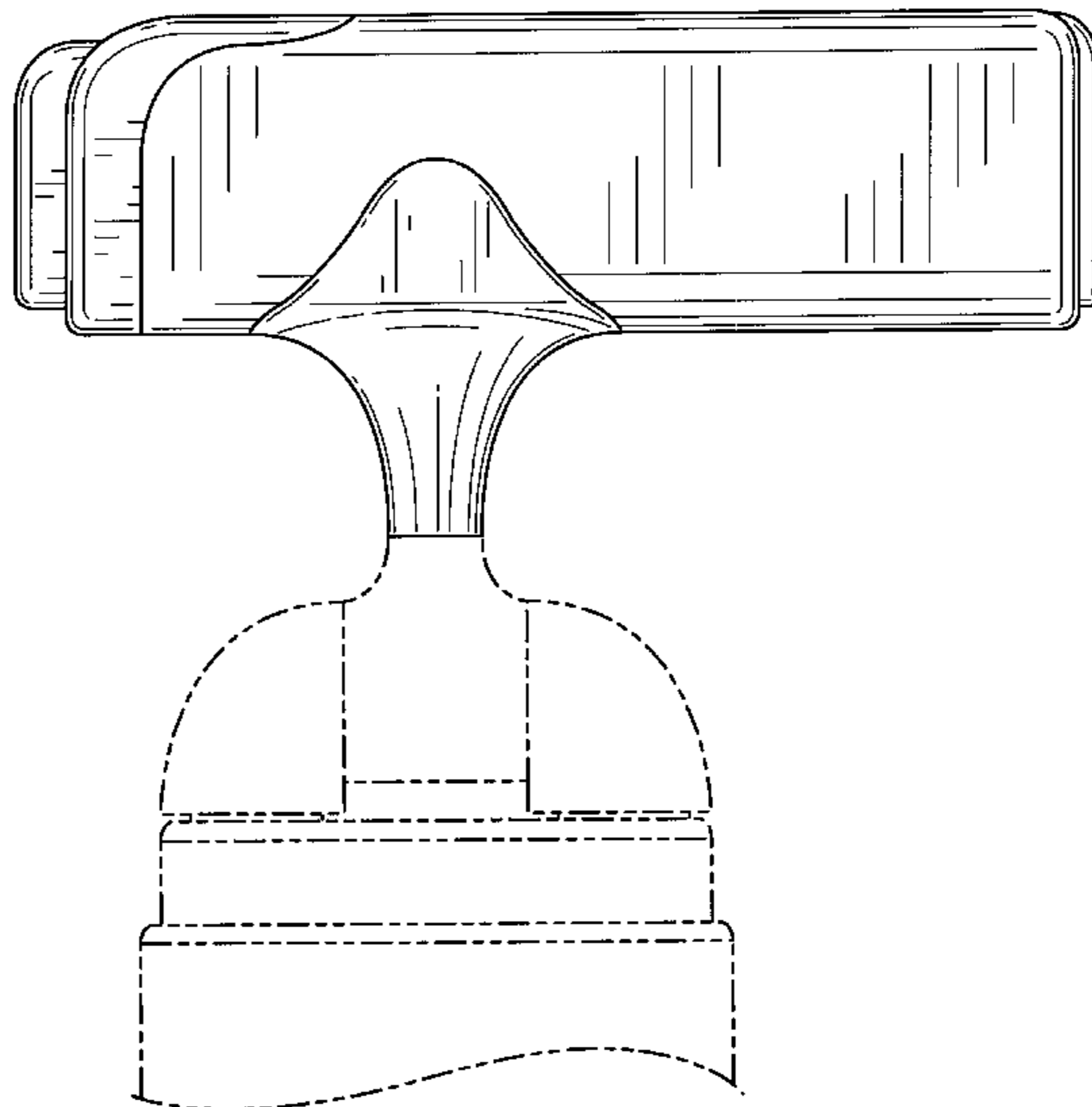
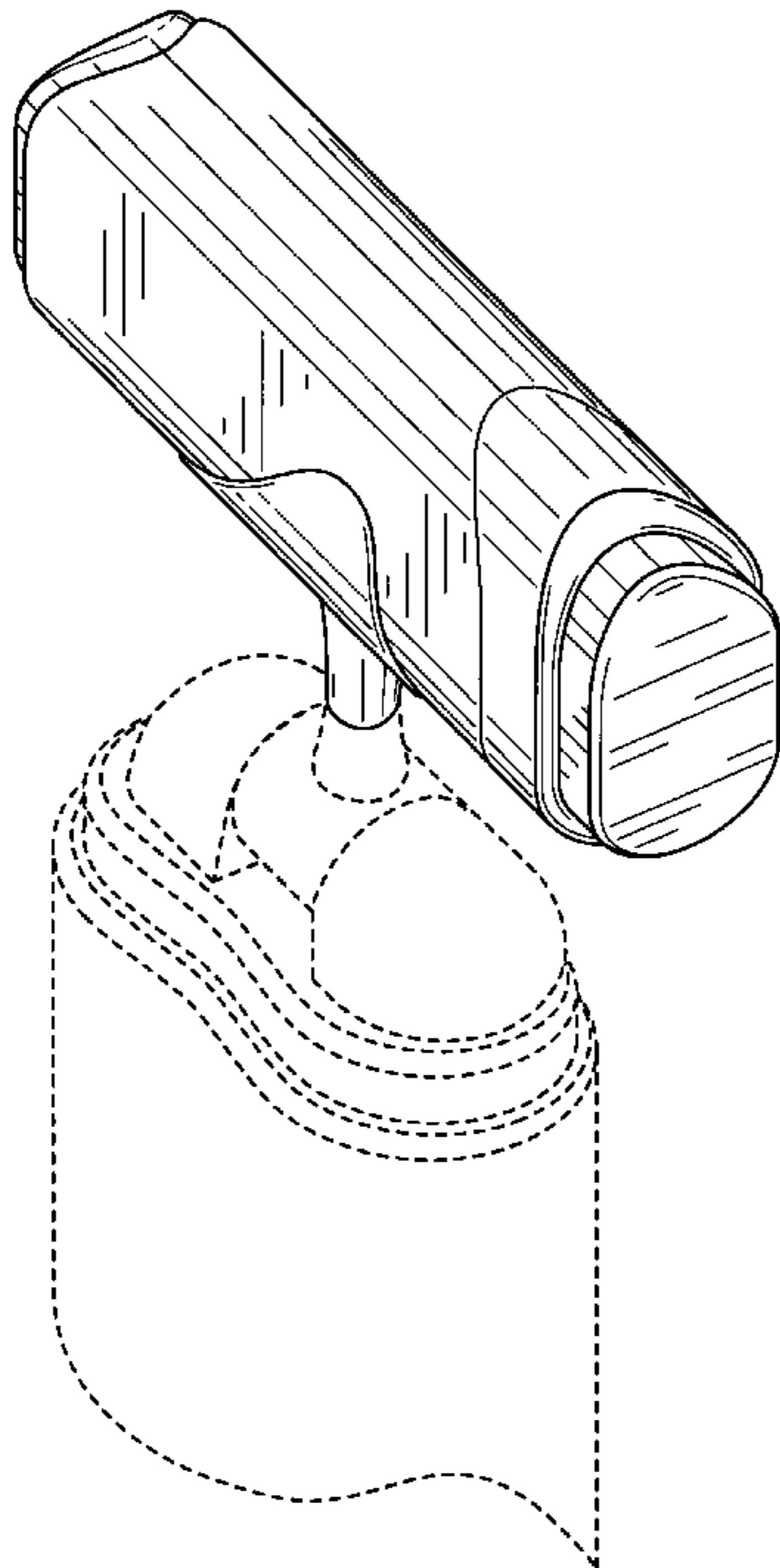
FIG. 5 provides a left side view of the towing handle for a piece of baggage.

FIG. 6 provides a top view of the towing handle for a piece of baggage; and,

FIG. 7 provides a bottom view of the towing handle for a piece of baggage.

The broken line showing the towing member or arm is for illustrative purposes only and forms no part of the claimed design.

1 Claim, 5 Drawing Sheets



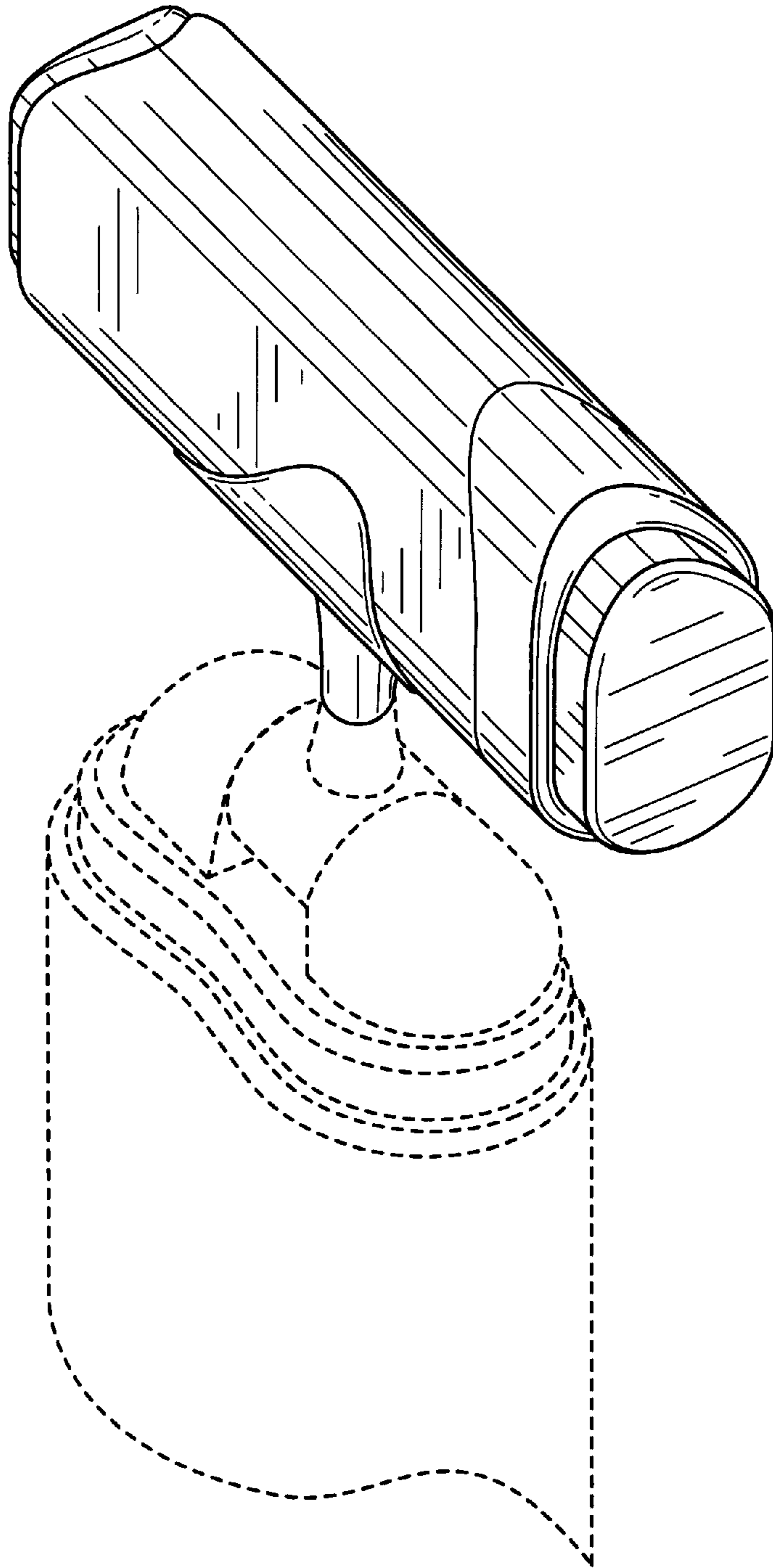


FIG. 1

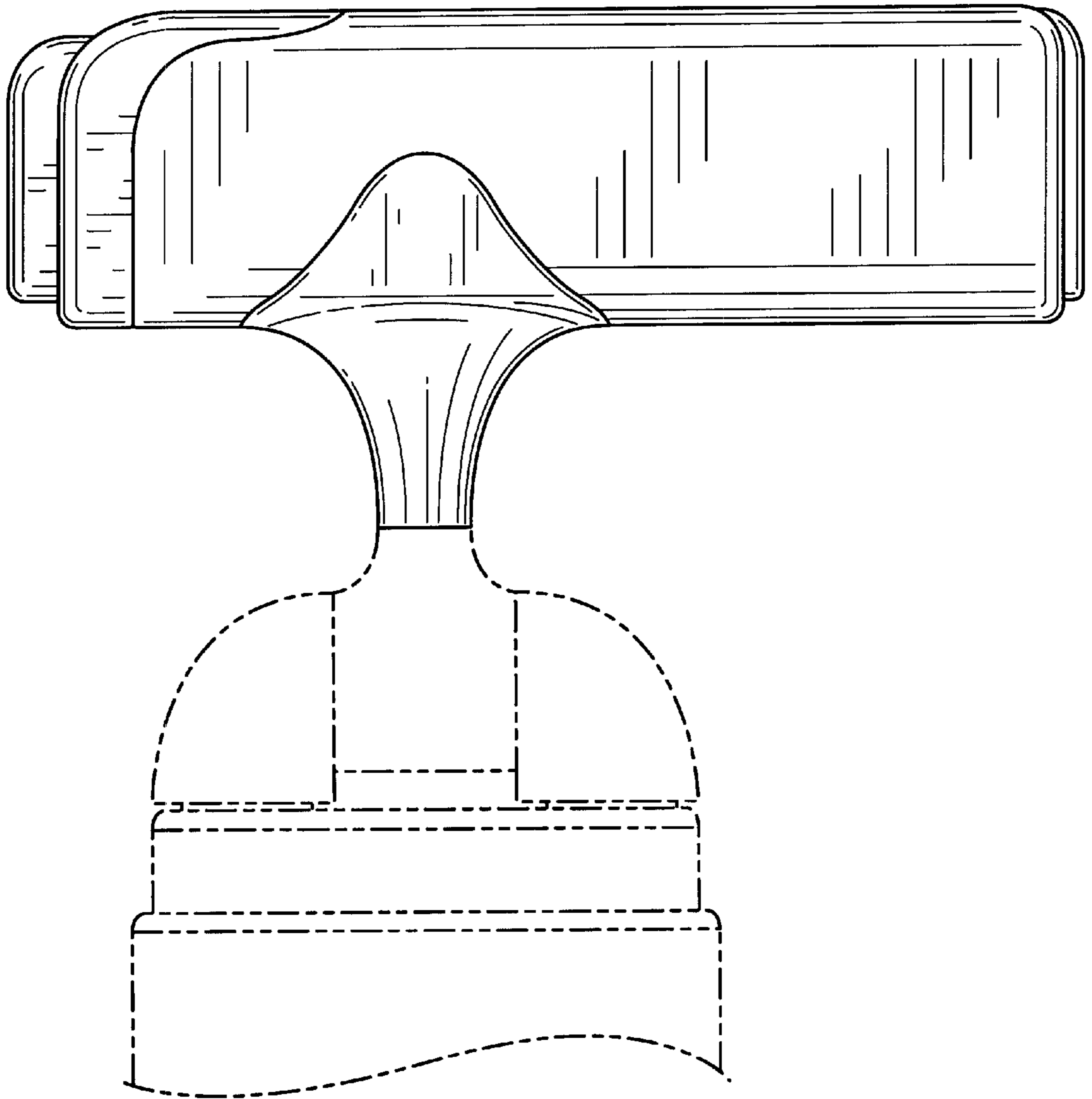


FIG. 2

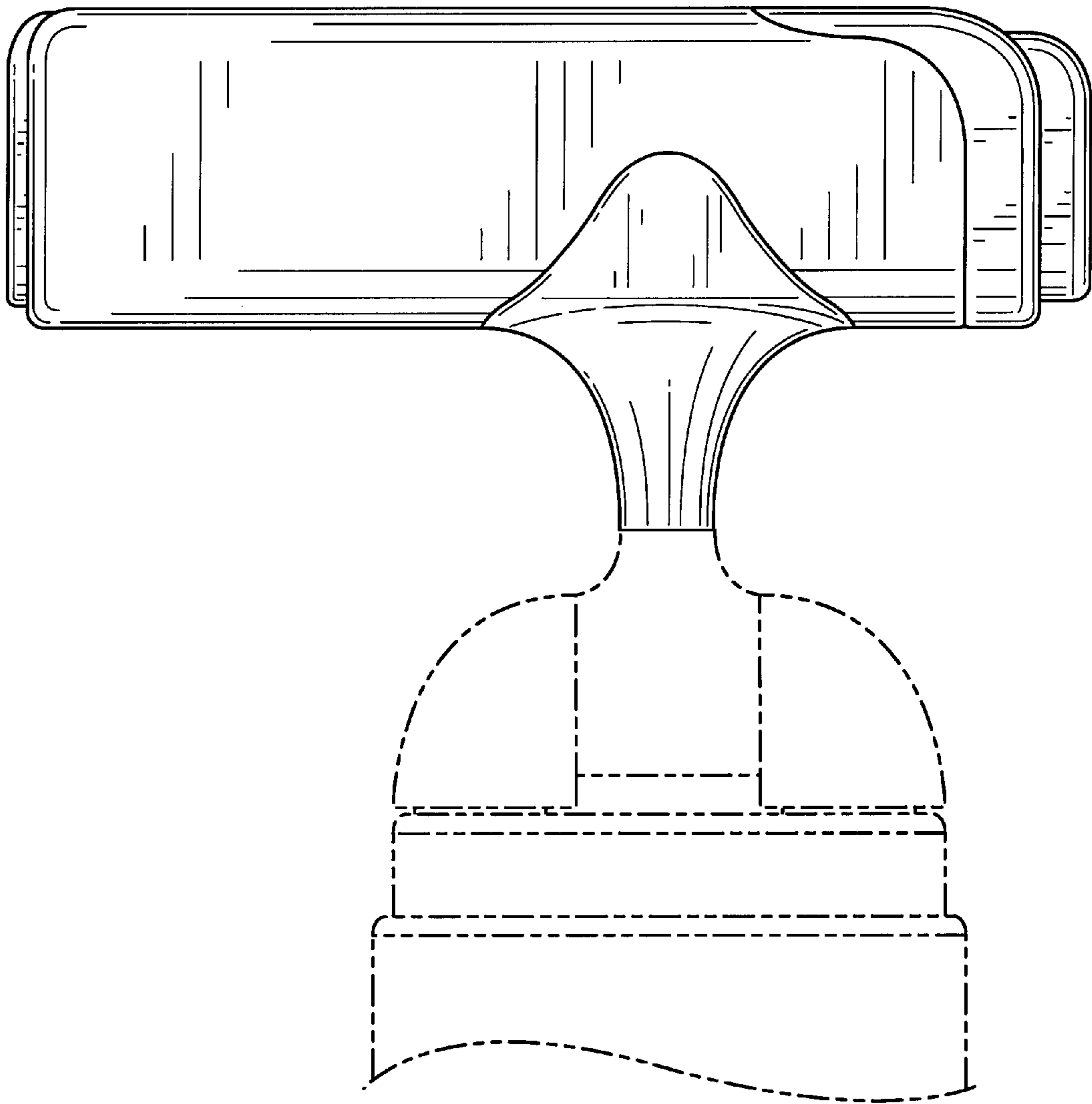


FIG. 3

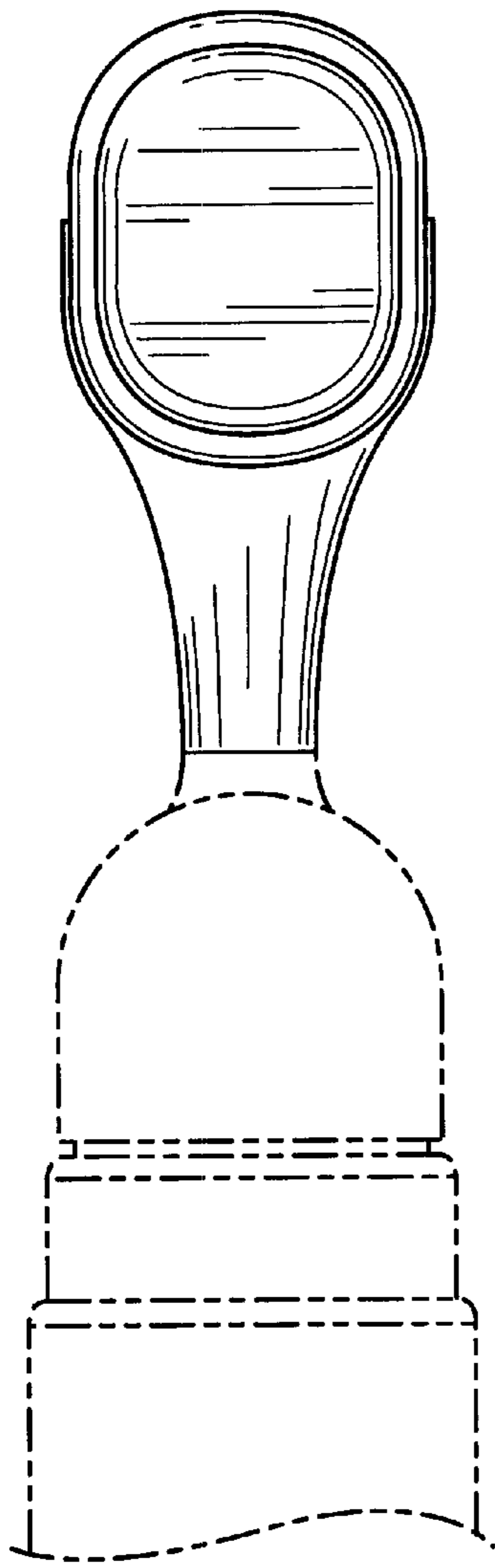


FIG. 4

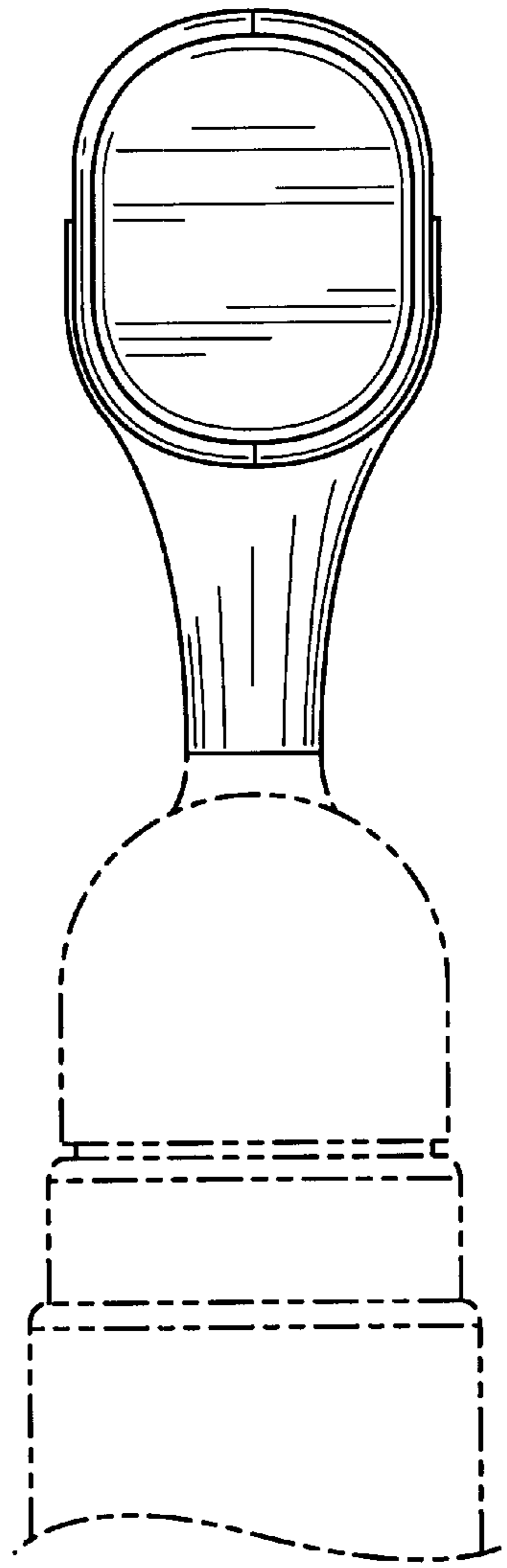


FIG. 5

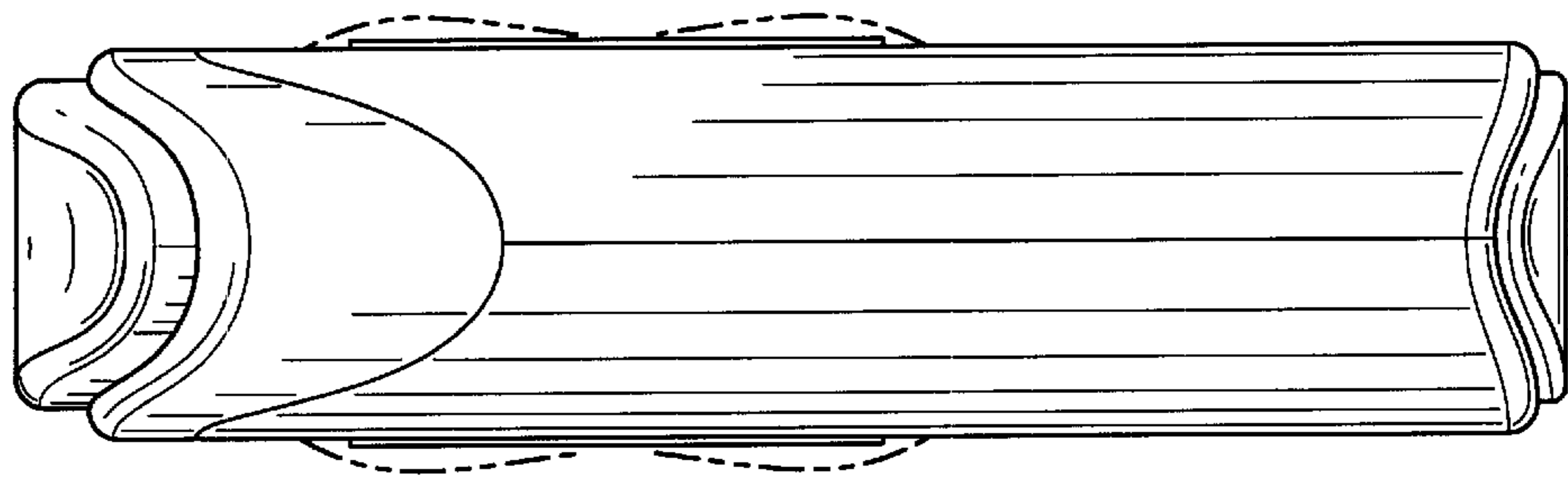


FIG. 6

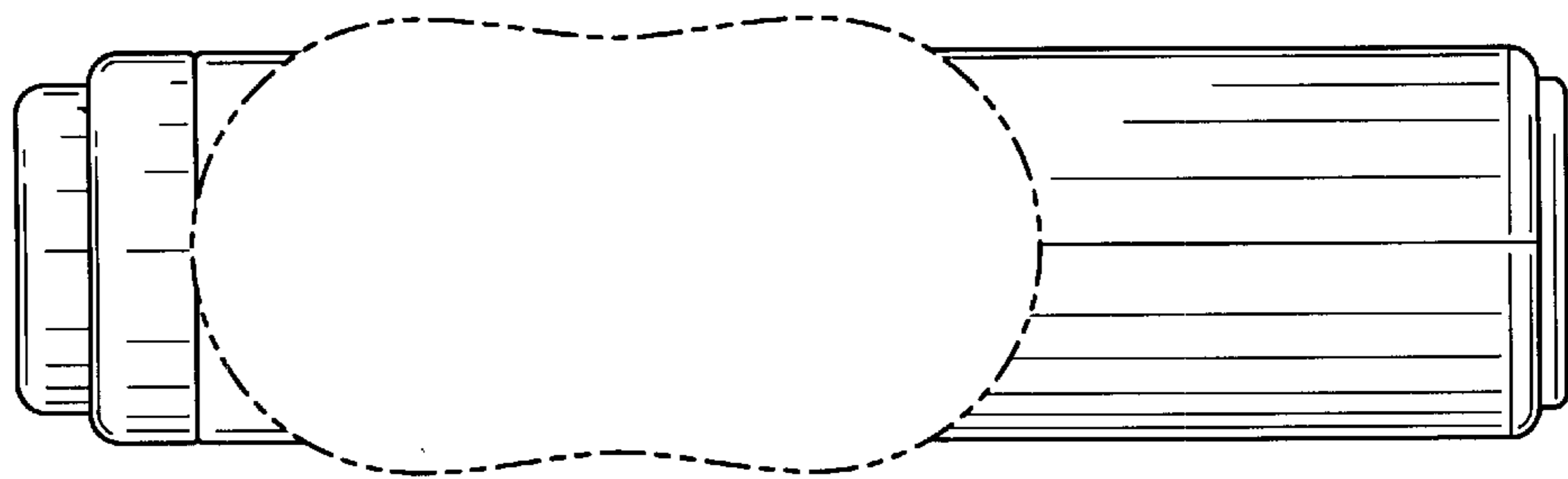


FIG. 7