



US00D473713S

(12) **United States Design Patent**  
**Chen**

(10) **Patent No.:** **US D473,713 S**

(45) **Date of Patent:** **\*\* Apr. 29, 2003**

(54) **TOOL BOX**

(76) Inventor: **Terence Chen**, P.O.Box 65-45,  
Taichung 403 (TW)

(\*\*) Term: **14 Years**

(21) Appl. No.: **29/161,608**

(22) Filed: **May 28, 2002**

(51) **LOC (7) Cl.** ..... **03-01**

(52) **U.S. Cl.** ..... **D3/282; D3/905; D3/315**

(58) **Field of Search** ..... **D3/273, 276, 281,**  
**D3/282, 315, 905; 206/349, 372, 373, 379**

(56) **References Cited**

**U.S. PATENT DOCUMENTS**

D286,103 S	*	10/1986	Blumenthal	.....	D3/315
5,133,455 A	*	7/1992	Chow	.....	206/374
D382,115 S	*	8/1997	Chang	.....	D3/282
5,813,531 A	*	9/1998	Kao	.....	206/373
D400,709 S	*	11/1998	Chang	.....	D3/294
D427,436 S	*	7/2000	Chan	.....	D3/292
6,105,767 A	*	8/2000	Vasudeva	.....	206/372
D434,561 S	*	12/2000	Vasudeva	.....	D3/282

D446,651 S	*	8/2001	Liao	.....	D3/284
6,283,291 B1	*	9/2001	Vasudeva et al.	.....	206/373

\* cited by examiner

*Primary Examiner*—Philip S. Hyder

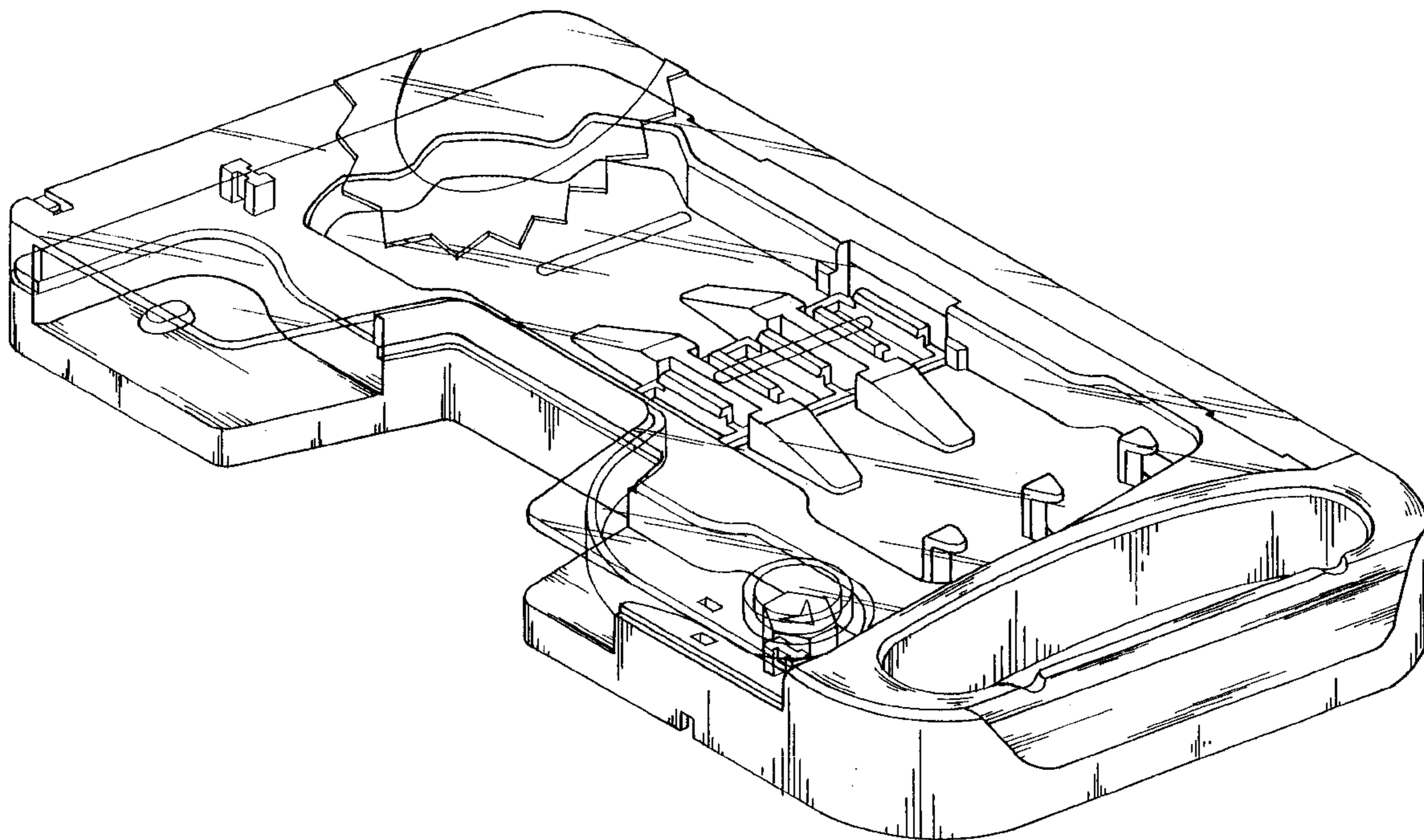
(57) **CLAIM**

The ornamental design for a tool box, as shown and described.

**DESCRIPTION**

FIG. 1 is a perspective view of a tool box showing my new design;  
 FIG. 2 is a front elevational view thereof;  
 FIG. 3 is a rear elevational view thereof;  
 FIG. 4 is a top plan view thereof;  
 FIG. 5 is a bottom plan view thereof;  
 FIG. 6 is a left side elevational view thereof;  
 FIG. 7 is a right side elevational view thereof; and,  
 FIG. 8 is a perspective view thereof, the tools depicted by means of broken lines being for illustrative purposes only and forming no part of the claimed design.

**1 Claim, 6 Drawing Sheets**



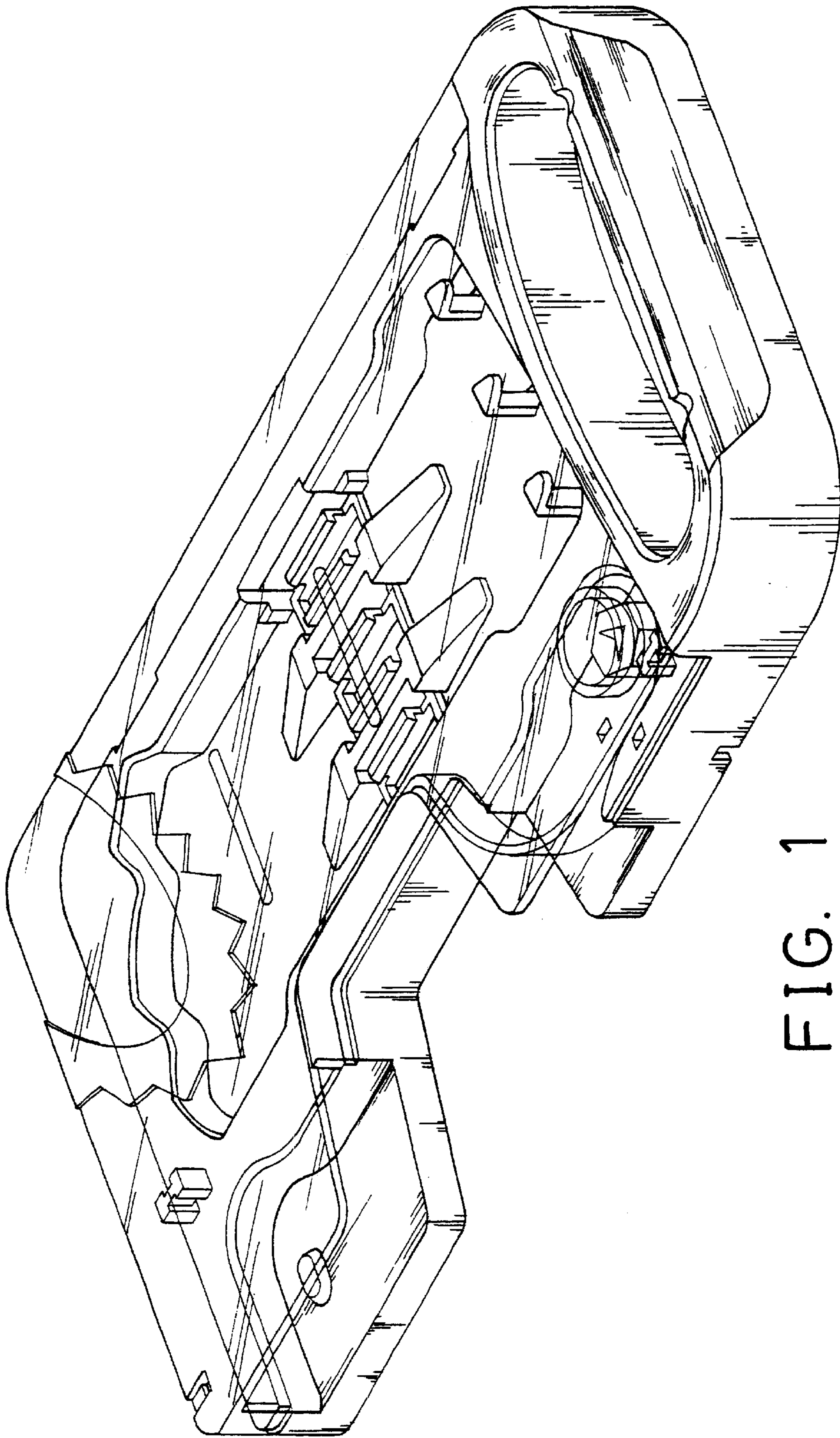


FIG. 1

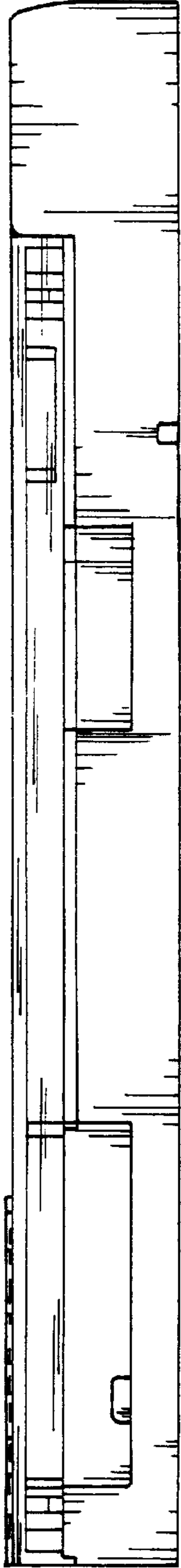


FIG. 2

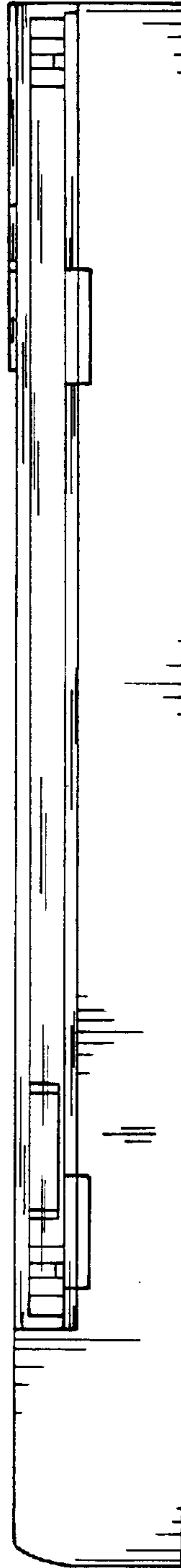


FIG. 3

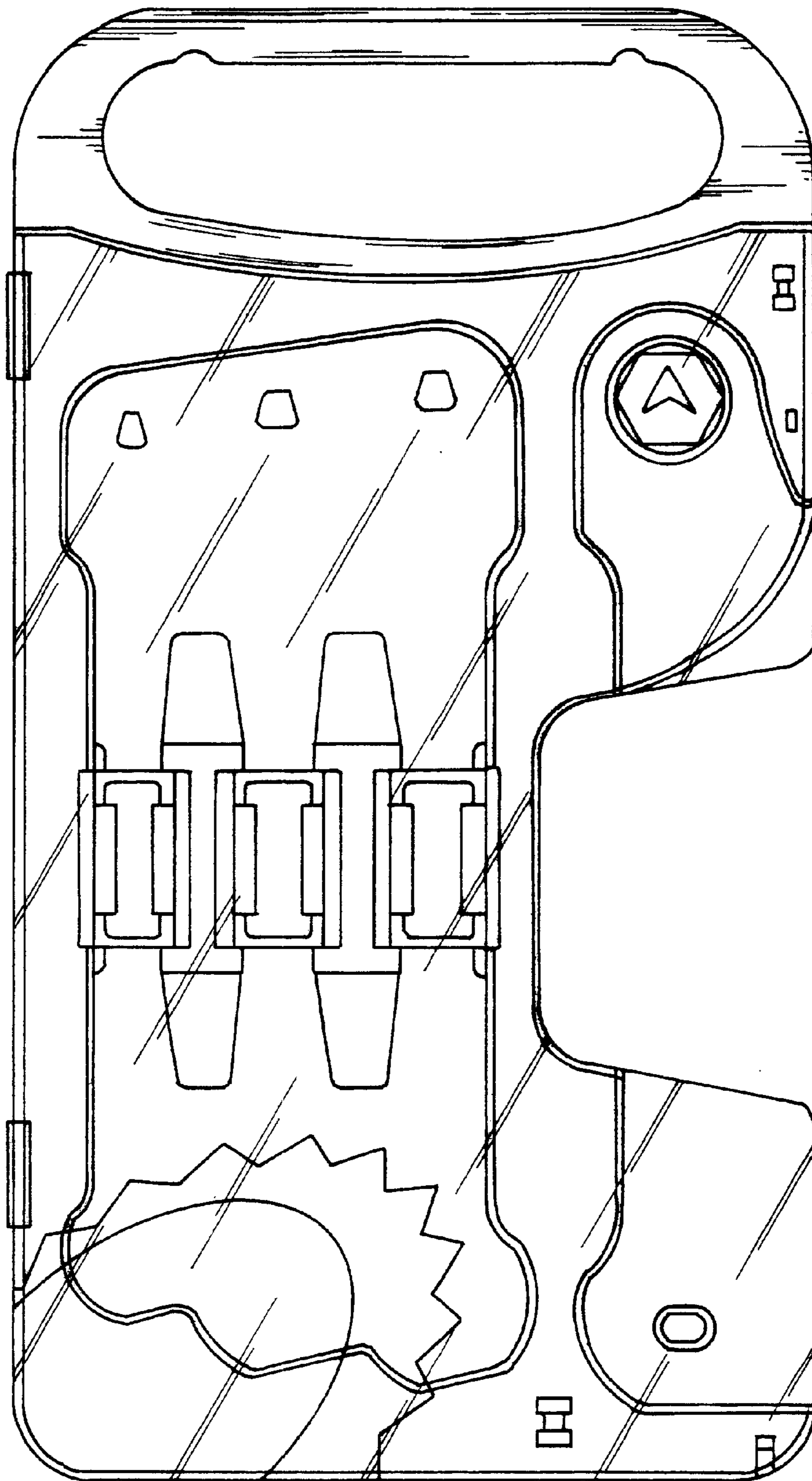


FIG. 4

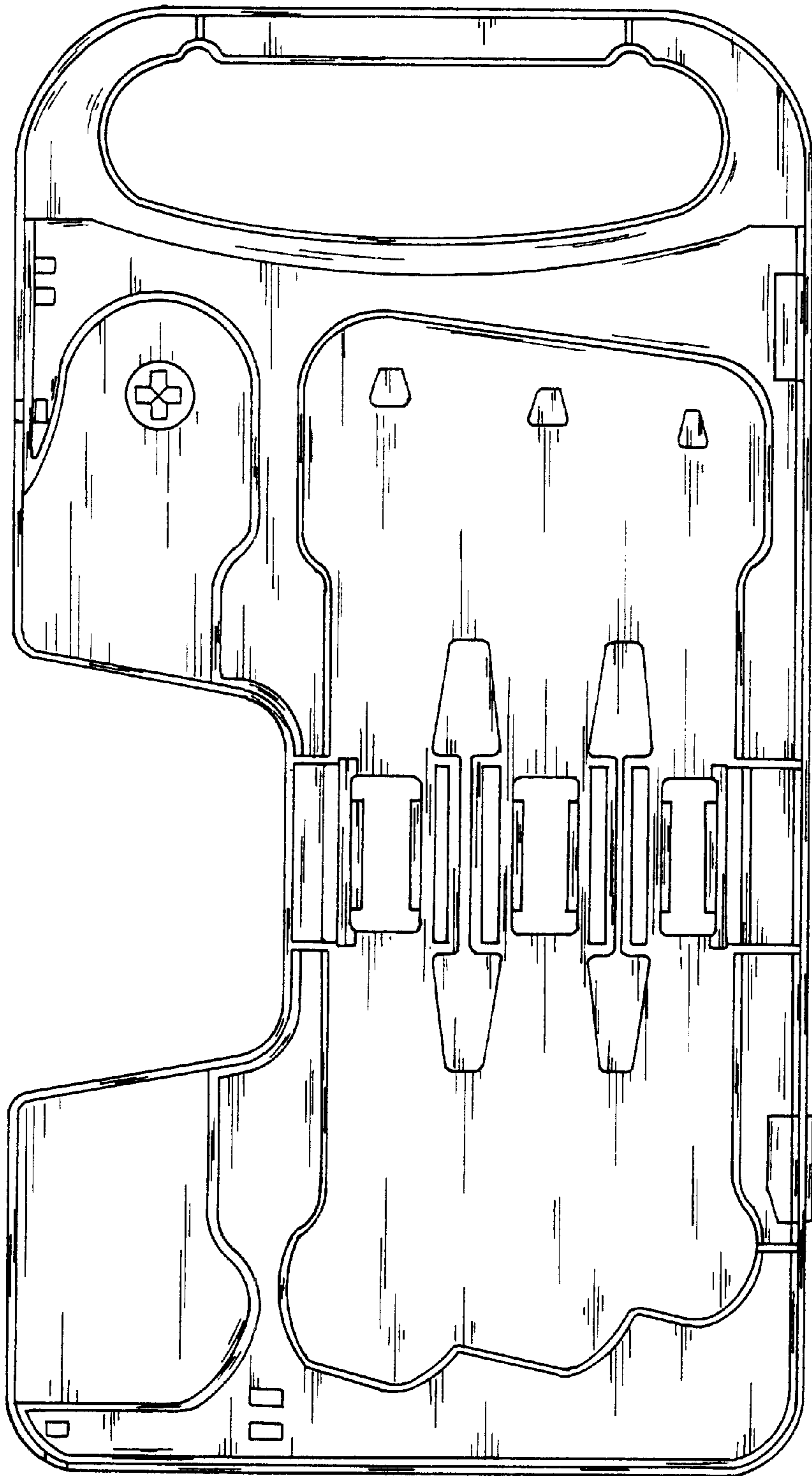


FIG. 5

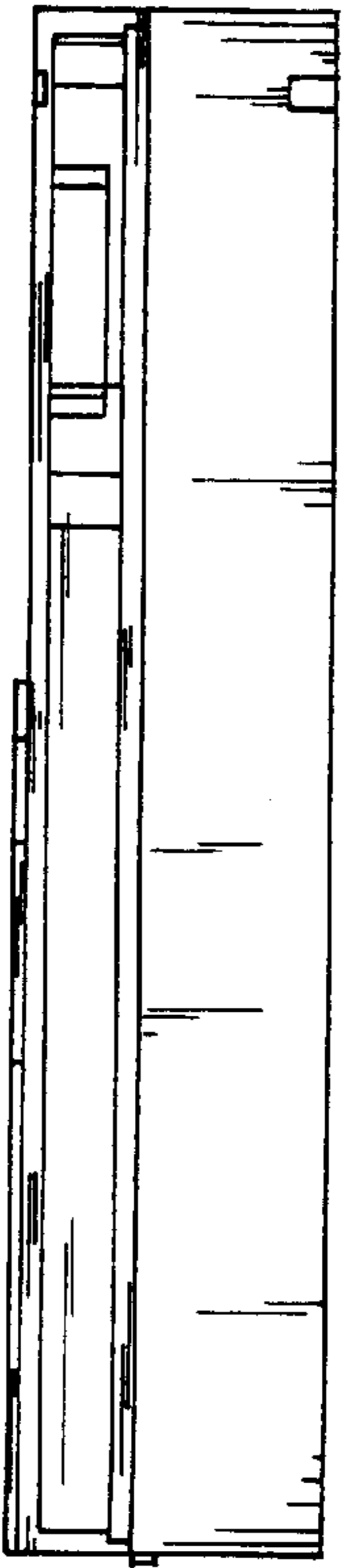


FIG. 6

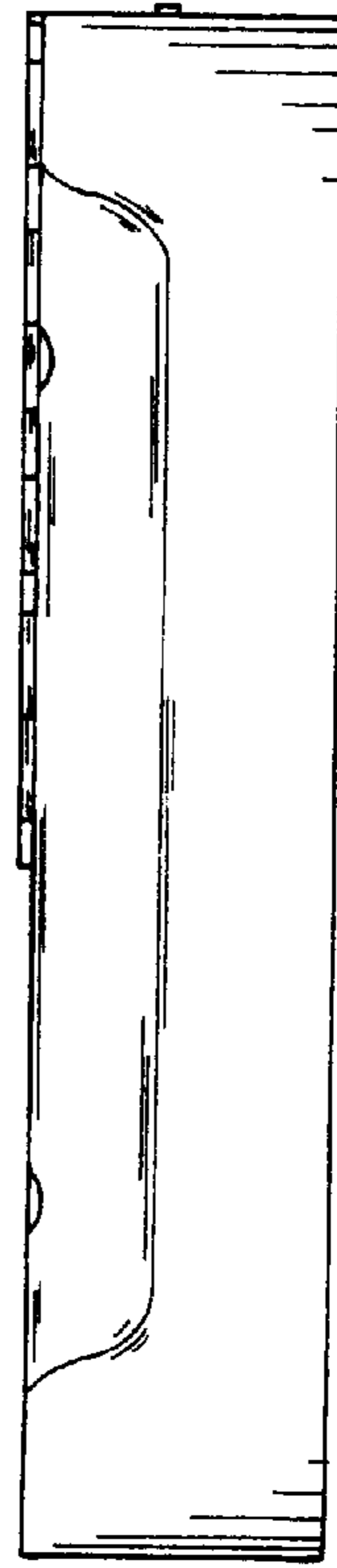


FIG. 7

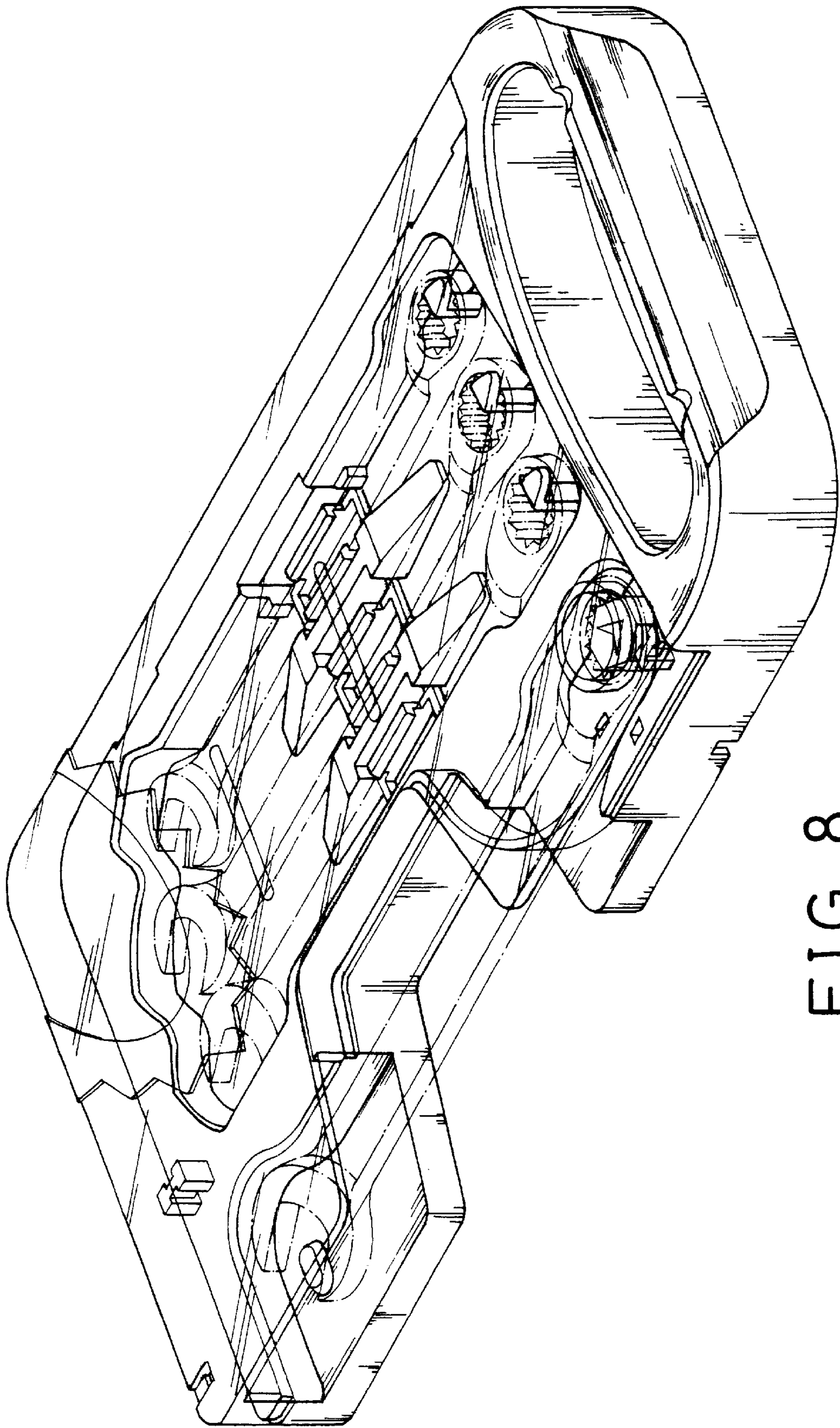


FIG. 8