



US00D473692S

(12) **United States Design Patent**
Tafoya

(10) **Patent No.:** **US D473,692 S**

(45) **Date of Patent:** **** Apr. 22, 2003**

(54) **TIRE LIFT DOLLY**

(76) Inventor: **Jerry S. Tafoya**, 7111 S. Camino
Libertad, Tuscon, AZ (US) 85746

(**) Term: **14 Years**

(21) Appl. No.: **29/159,019**

(22) Filed: **Apr. 15, 2002**

(51) **LOC (7) Cl.** **12-05**

(52) **U.S. Cl.** **D34/31; D34/28**

(58) **Field of Search** D34/28, 31, 33;
254/131, 8 R, 120, 5; 414/426, 427, 433,
428, 430; 280/400, 79.4; D8/31, 14, 88,
89

D368,416 S	4/1996	Holman	
5,562,389 A	10/1996	Mitchell	
D379,018 S	* 4/1997	Miller D34/38
5,702,226 A	12/1997	Pickle	
5,897,171 A	4/1999	Seifert	
6,095,745 A	8/2000	Garnett	
6,179,542 B1	* 1/2001	Haven 414/428
6,390,759 B1	* 5/2002	Novak et al. 414/430
D467,402 S	* 12/2002	DiStaulo D34/28

* cited by examiner

Primary Examiner—Cynthia E. Ramirez
(74) *Attorney, Agent, or Firm*—Randal D. Homburg

(57) **CLAIM**

The ornamental design for a tire lift dolly, as shown and described.

(56) **References Cited**

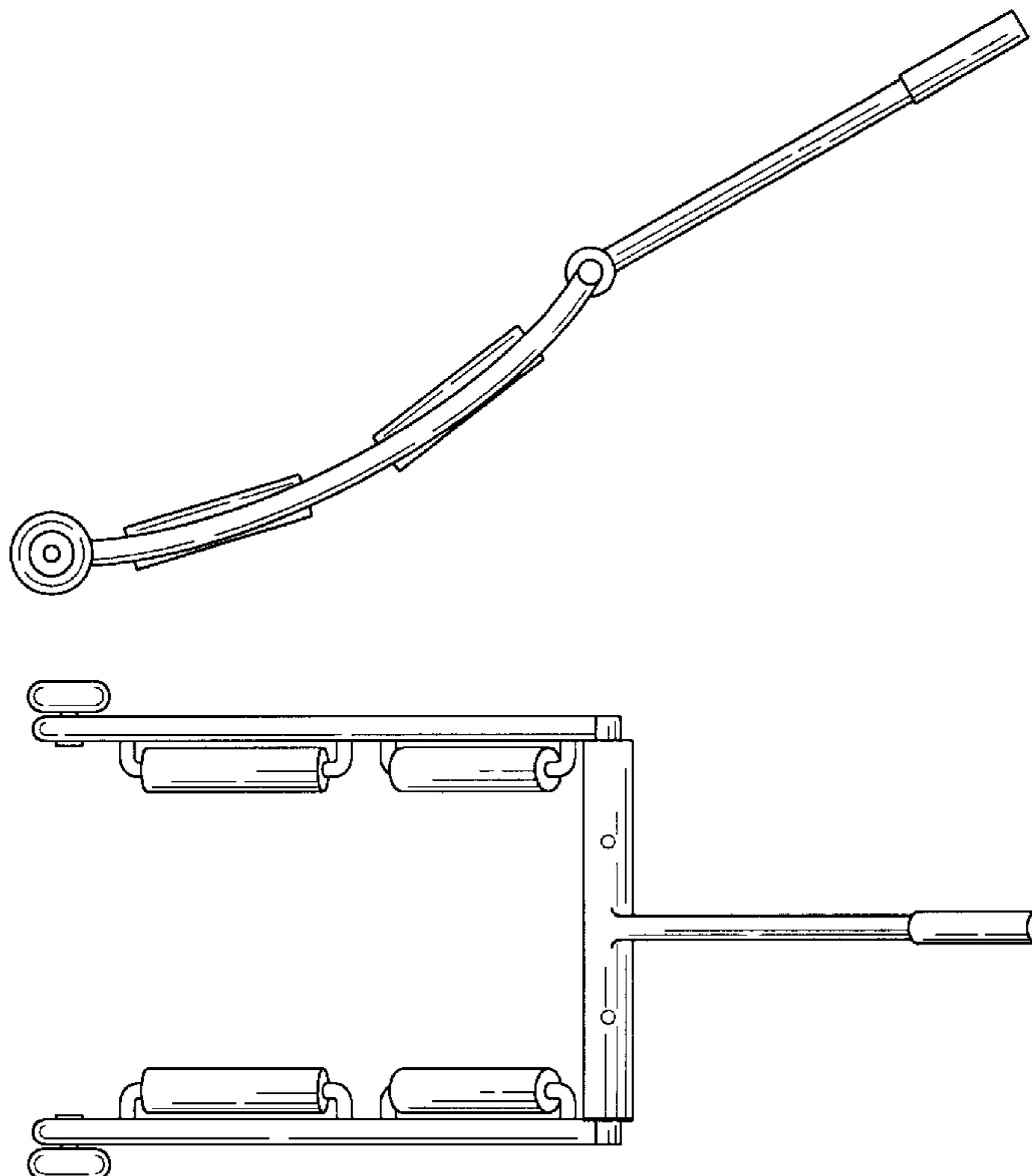
U.S. PATENT DOCUMENTS

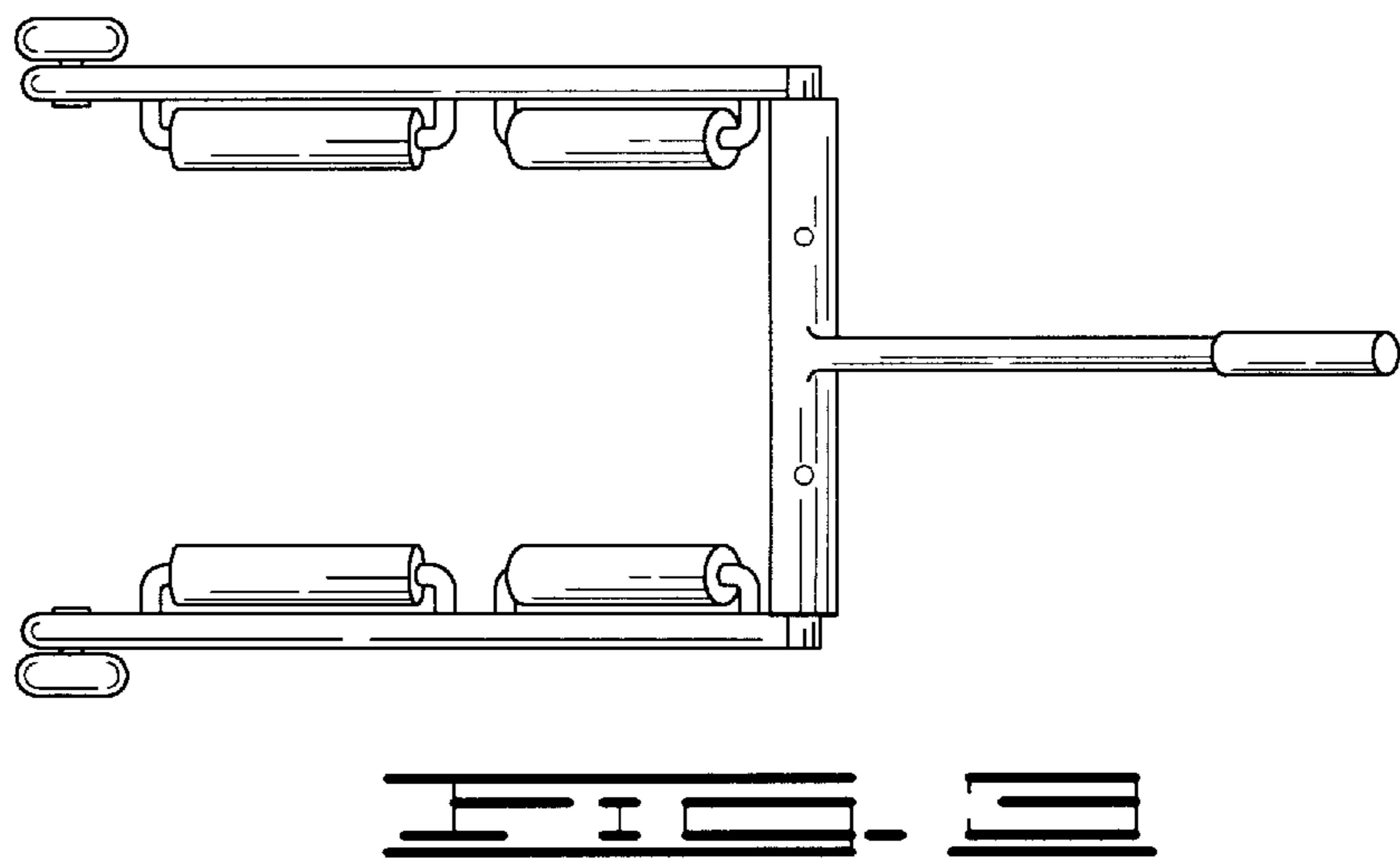
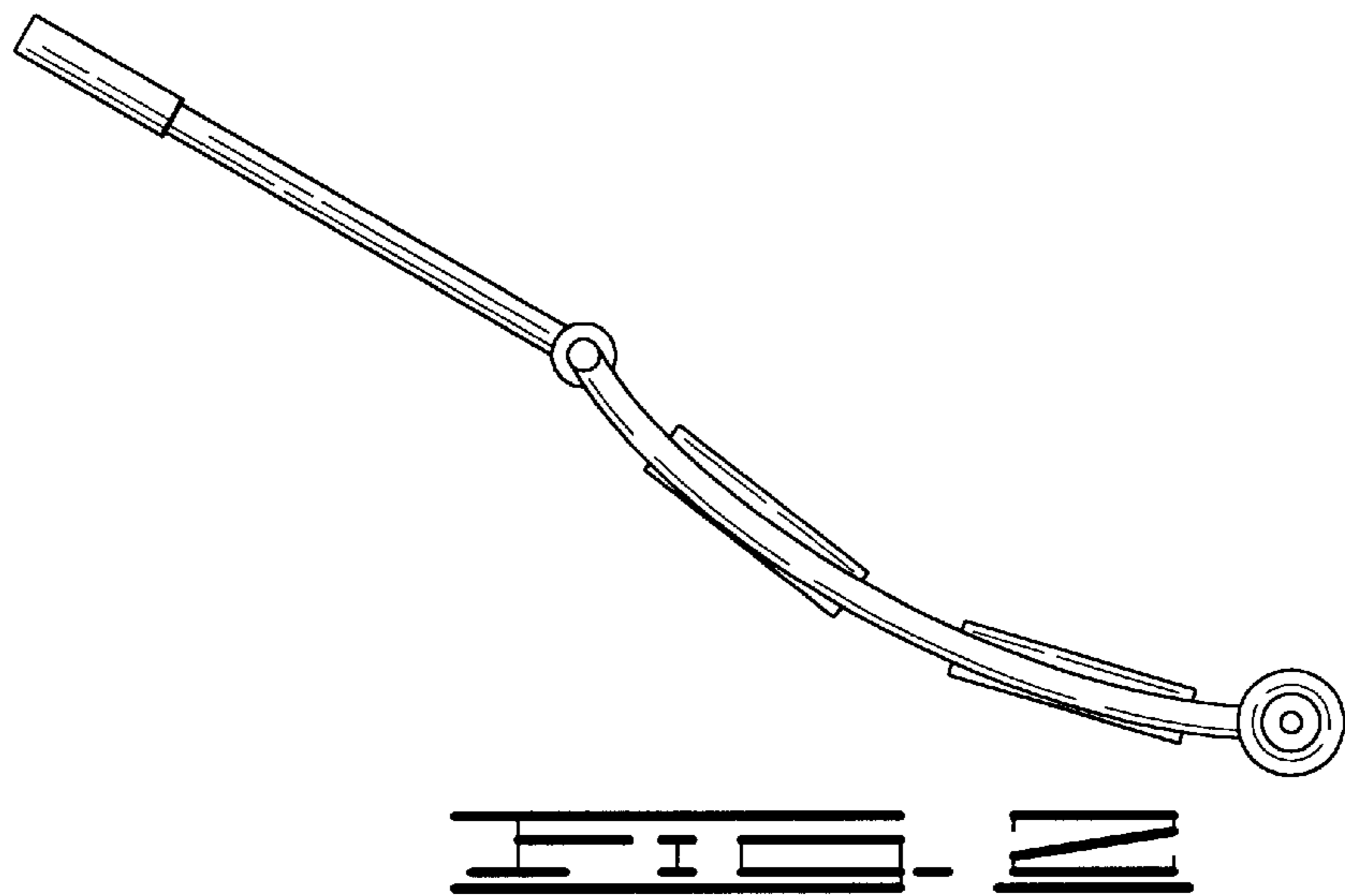
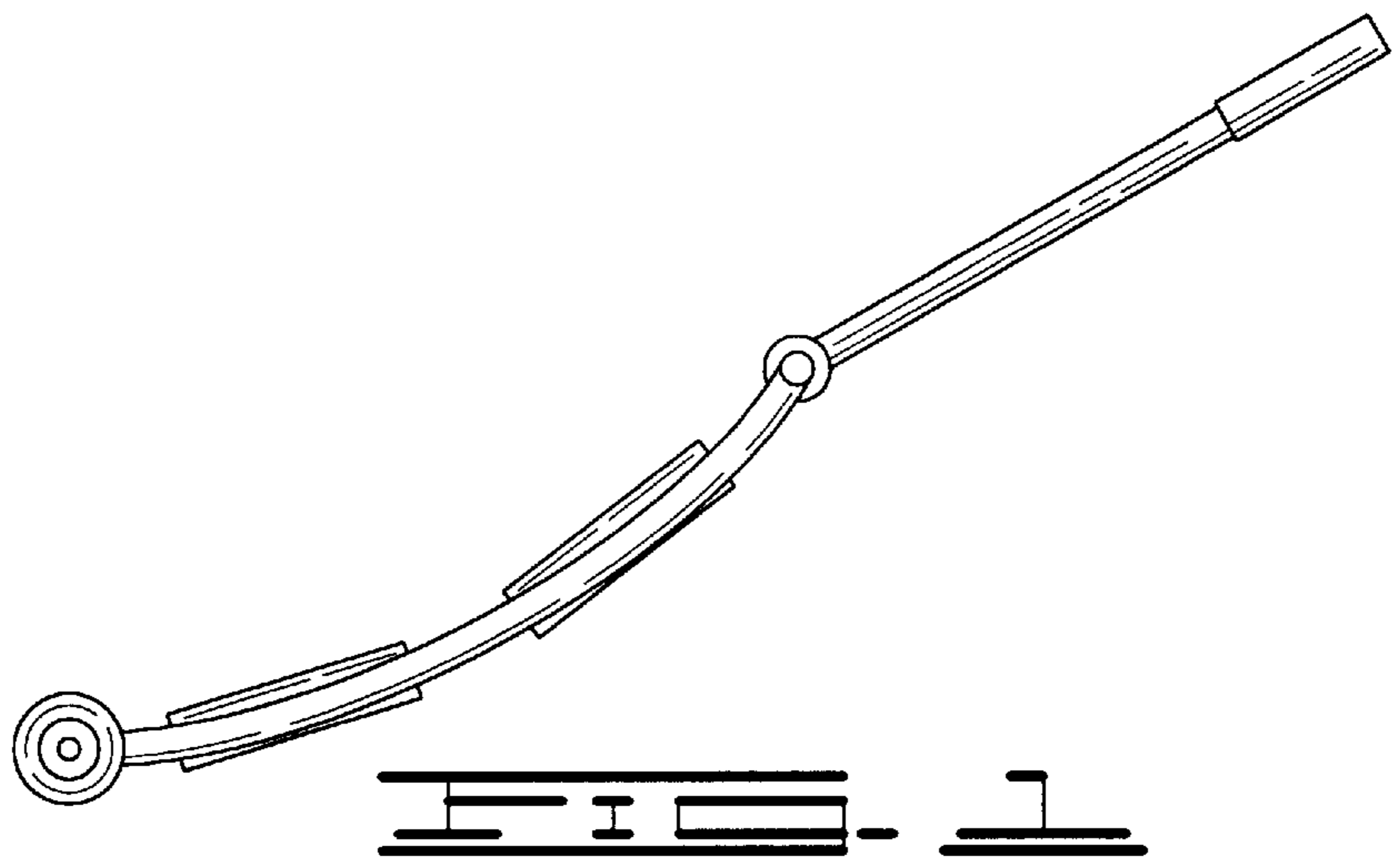
1,965,260 A	7/1934	Rosenberg	
2,483,908 A	10/1949	Jackson	
3,442,399 A	* 5/1969	Snavely 254/8 R
3,463,337 A	* 8/1969	Reznicek 254/131
3,976,212 A	* 8/1976	Sanchez 254/120
4,583,904 A	* 4/1986	Maxwell 414/426
4,854,803 A	* 8/1989	Coccaro 414/428
5,167,423 A	* 12/1992	Hall, Jr. 280/406
5,176,487 A	1/1993	Flitton	
D335,739 S	5/1993	Holman et al.	
D347,981 S	6/1994	Suggs, Sr.	

DESCRIPTION

FIG. 1 is a right side view of the tire lift dolly showing my new design.
FIG. 2 is a left side view thereof.
FIG. 3 is a top view thereof.
FIG. 4 is a bottom view thereof.
FIG. 5 is a front view thereof.
FIG. 6 is a rear view thereof; and,
FIG. 7 is a right side view of the tire lift dolly showing my new design in an alternate position.

1 Claim, 2 Drawing Sheets





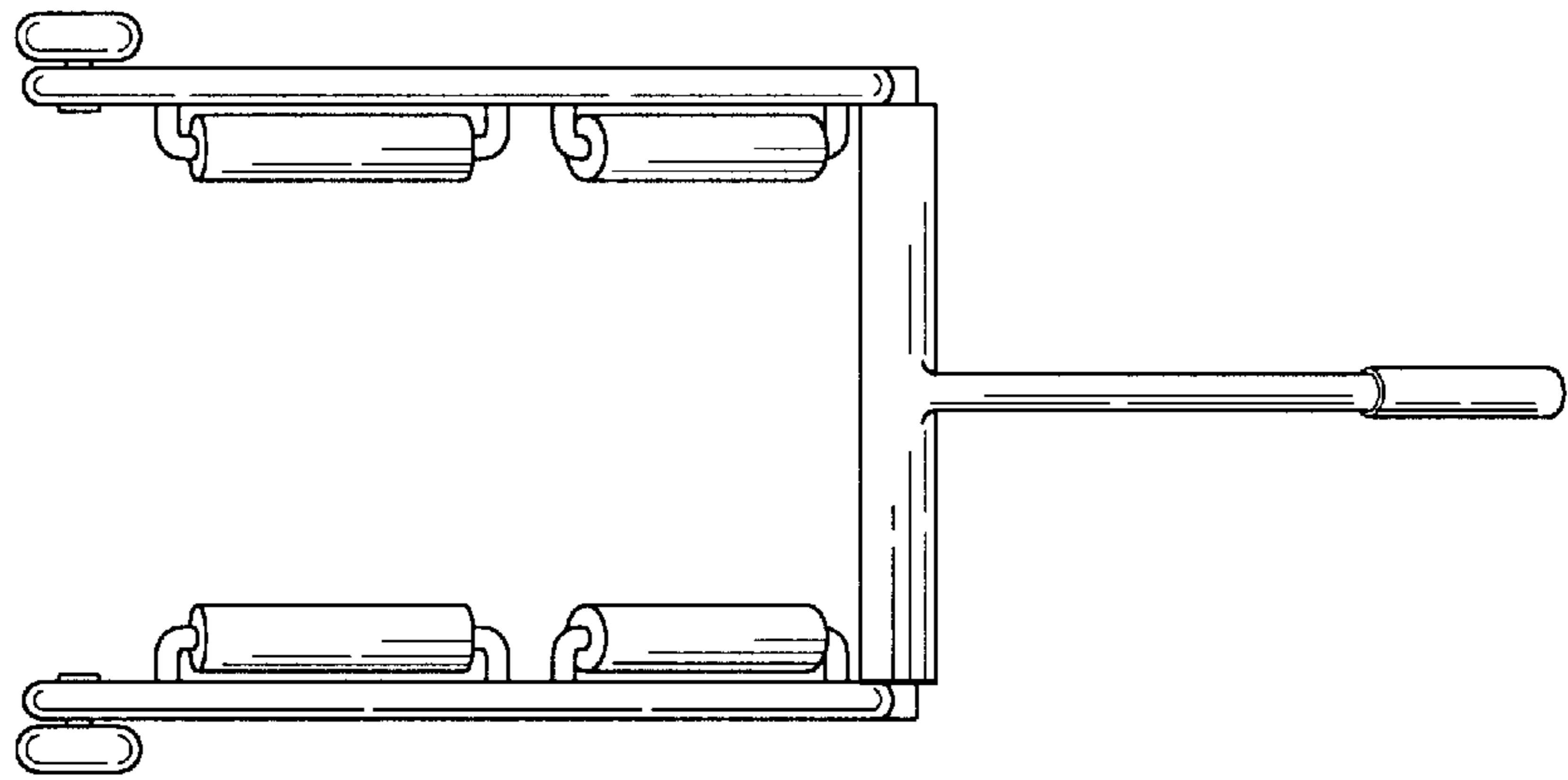


FIG. 4

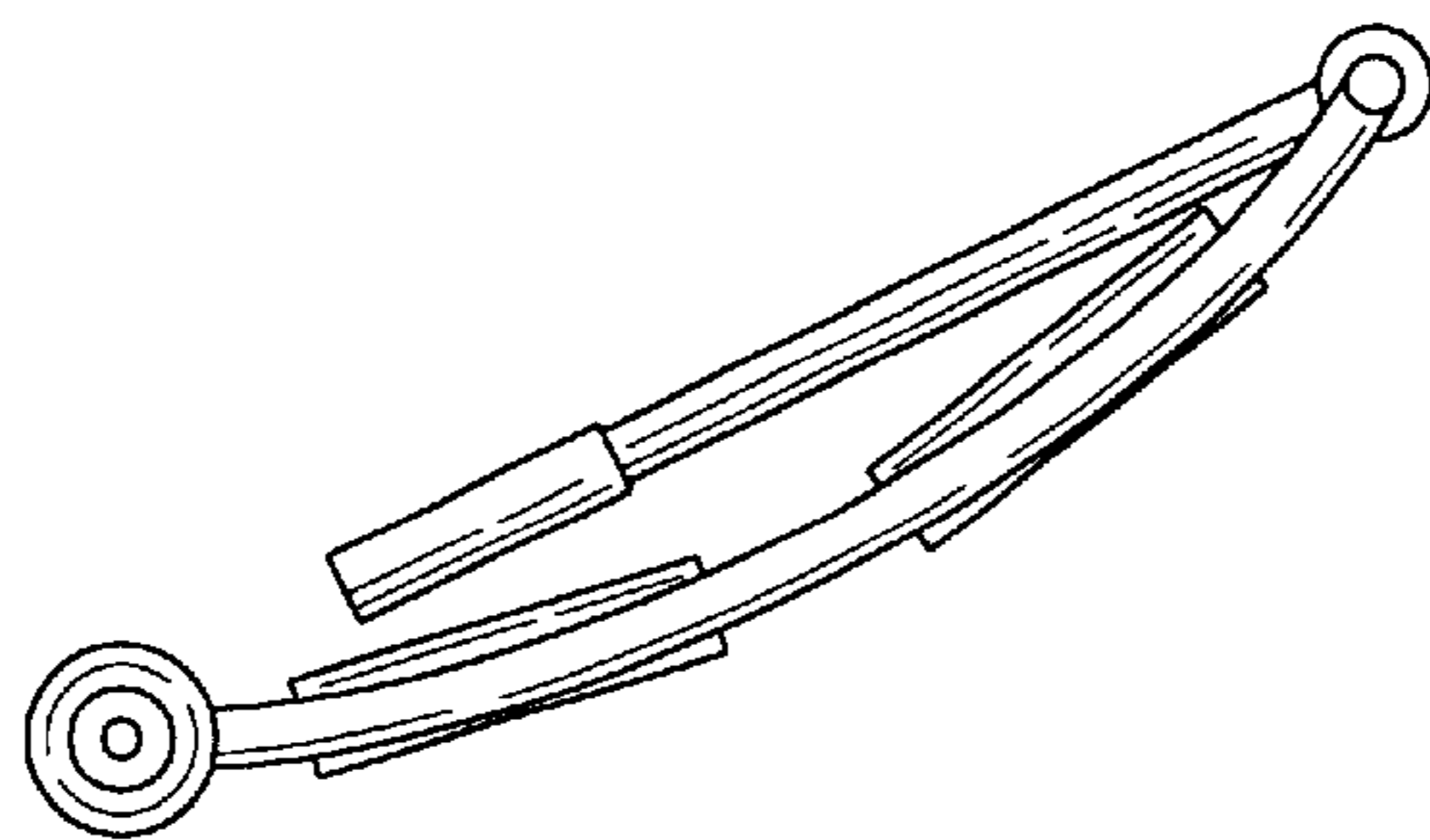
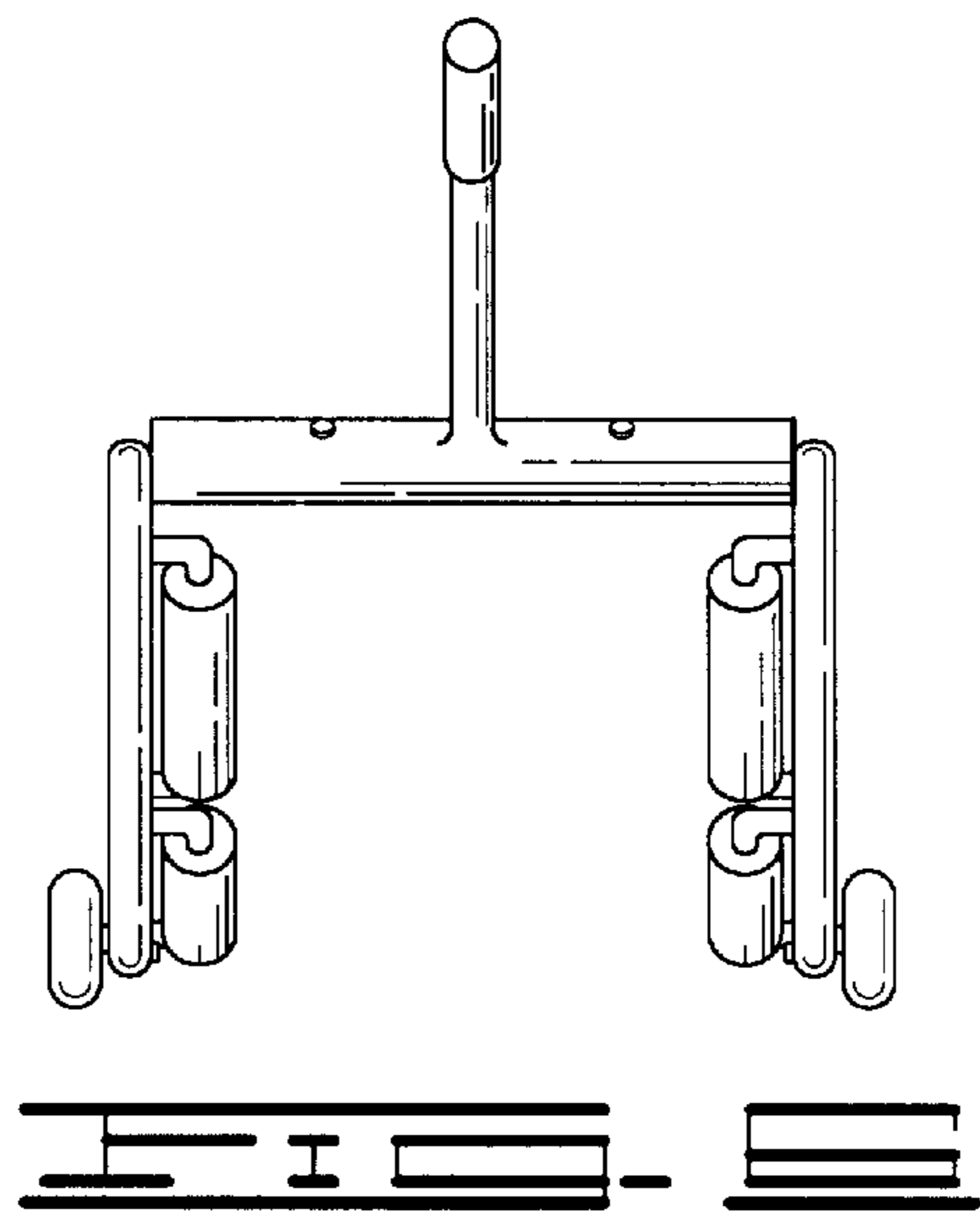
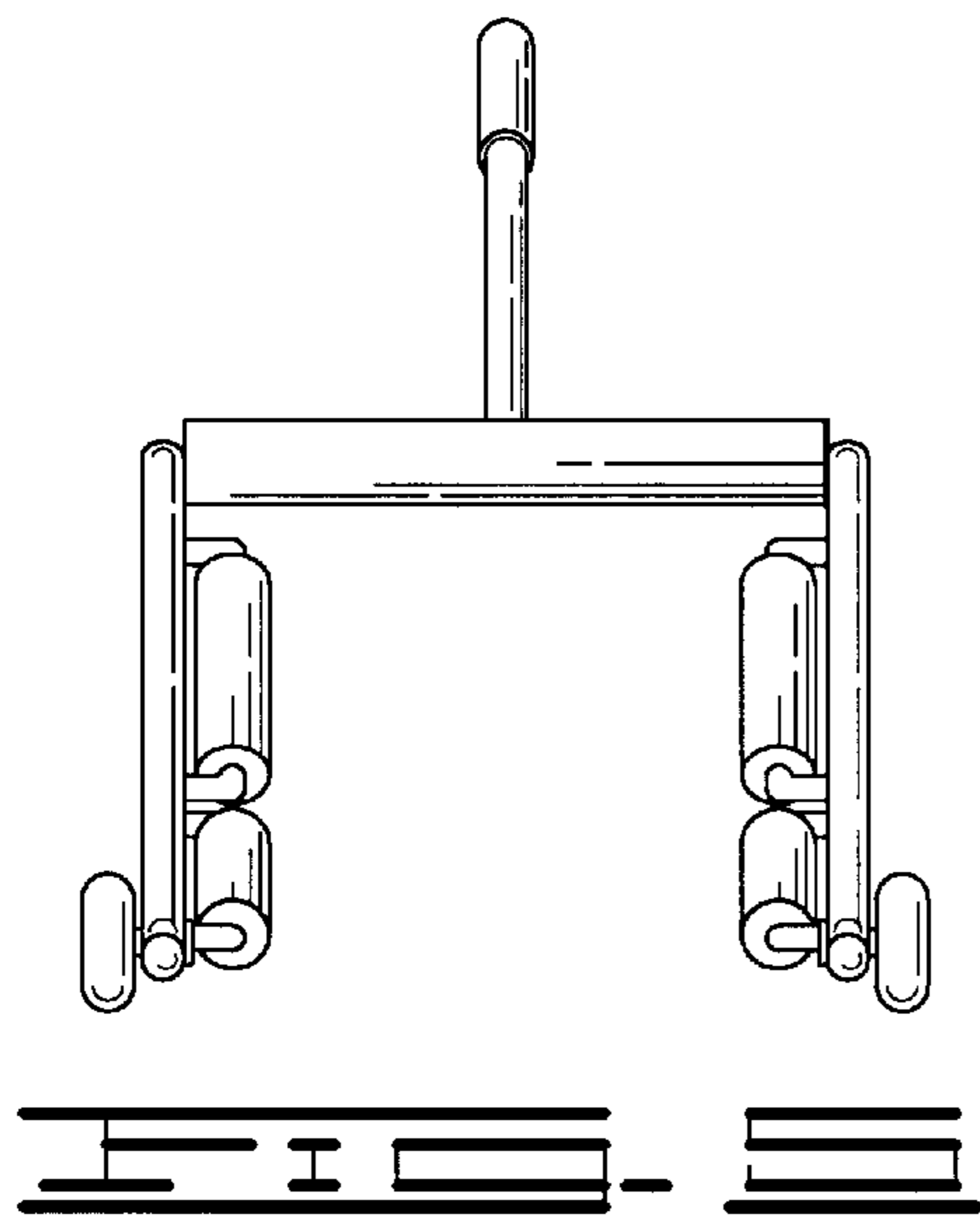


FIG. 7