



US00D473689S

(12) **United States Design Patent**
Verhaar

(10) **Patent No.:** **US D473,689 S**

(45) **Date of Patent:** **** Apr. 22, 2003**

(54) **PAINT BRUSH HOLDER**

D405,574 S 2/1999 Riky
6,446,829 B1 * 9/2002 Malvasio et al. 220/697

(76) Inventor: **John Thomas Verhaar**, 14692 Van
Buren St., Midway City, CA (US)
92655

FOREIGN PATENT DOCUMENTS

GB 2188026 * 9/1987 B65D/25/20

(**) Term: **14 Years**

* cited by examiner

(21) Appl. No.: **29/167,554**

Primary Examiner—Alan P. Douglas

Assistant Examiner—Lavone D. Tabor

(22) Filed: **Sep. 17, 2002**

(74) *Attorney, Agent, or Firm*—Eric Karich

(51) **LOC (7) Cl.** **07-07**

(57) **CLAIM**

(52) **U.S. Cl.** **D32/54**

The ornamental design for a “paint brush holder”, as shown and described.

(58) **Field of Search** D32/53, 53.1,
D32/54; 206/361; 211/65–66; 220/480,
482, 696, 697, 699–701, 735, 736; 248/110

DESCRIPTION

(56) **References Cited**

FIG. 1 is a perspective view of a paint brush holder, showing my new design;

FIG. 2 is a front elevational view thereof;

FIG. 3 is a rear elevational view thereof;

FIG. 4 is a left side elevational view thereof, the right side elevation view being a mirror image thereof;

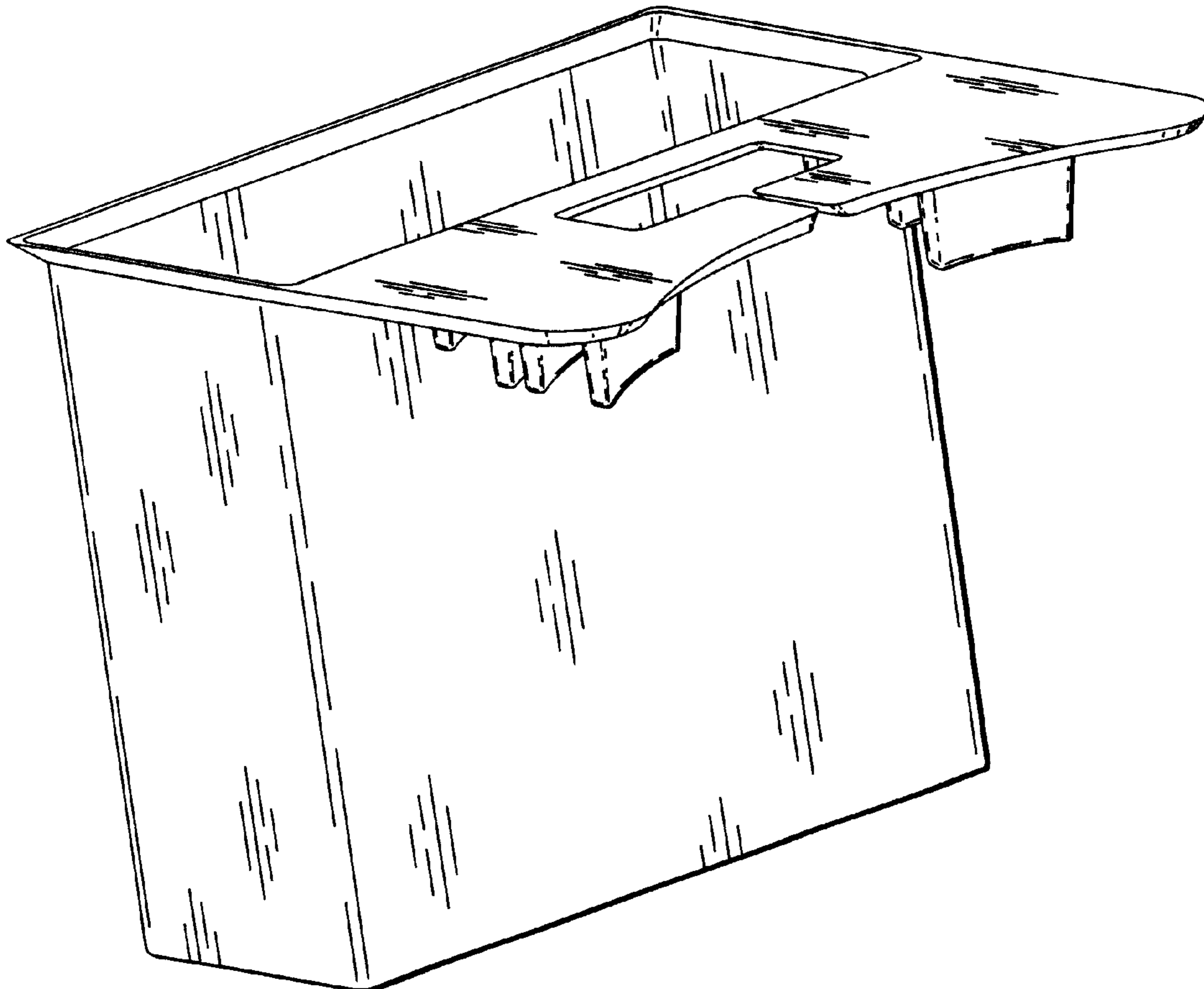
FIG. 5 is a top plan view thereof; and,

FIG. 6 is a bottom plan view thereof.

U.S. PATENT DOCUMENTS

| | | | | | |
|-------------|---|---------|------------------|-------|--------|
| D300,970 S | * | 5/1989 | Walker | | D32/54 |
| 5,076,519 A | | 12/1991 | Panovic | | |
| D327,148 S | * | 6/1992 | Alessi | | D32/54 |
| 5,261,577 A | | 11/1993 | Goldstein et al. | | |
| D346,054 S | | 4/1994 | Spangler | | |
| D358,914 S | | 5/1995 | Masse et al. | | |
| 5,687,873 A | | 11/1997 | Jones | | |

1 Claim, 3 Drawing Sheets



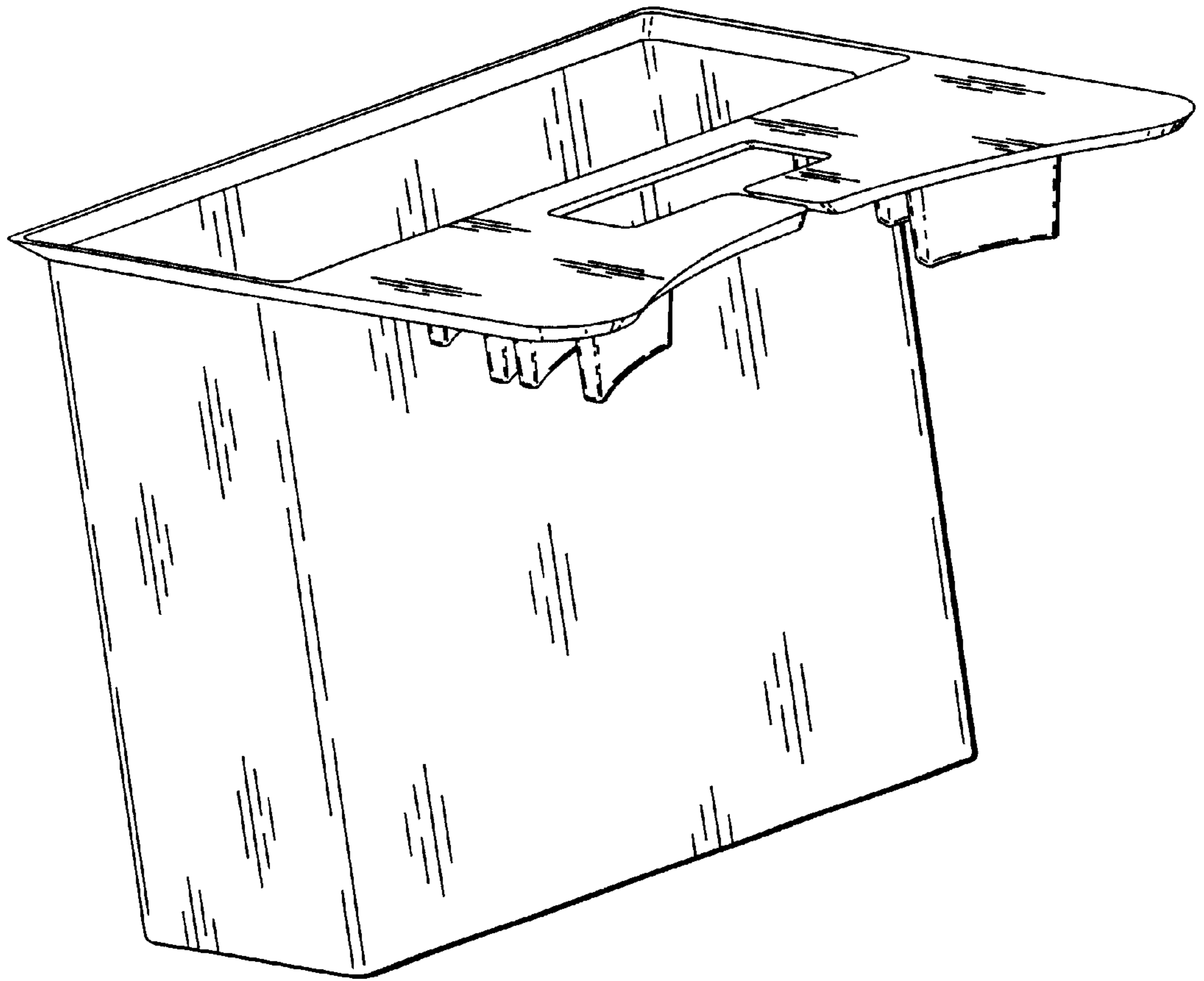


Fig. 1

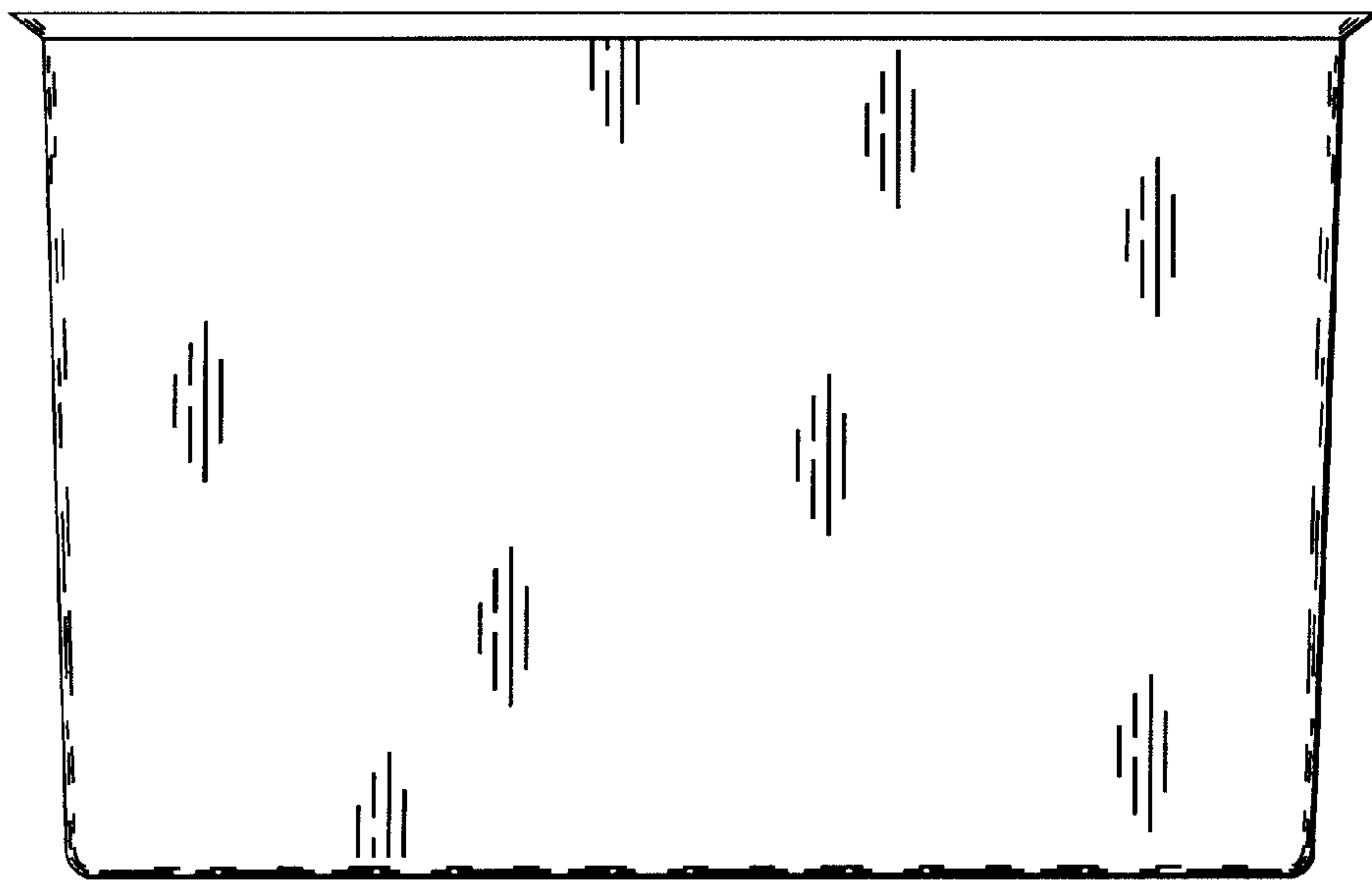


Fig. 2

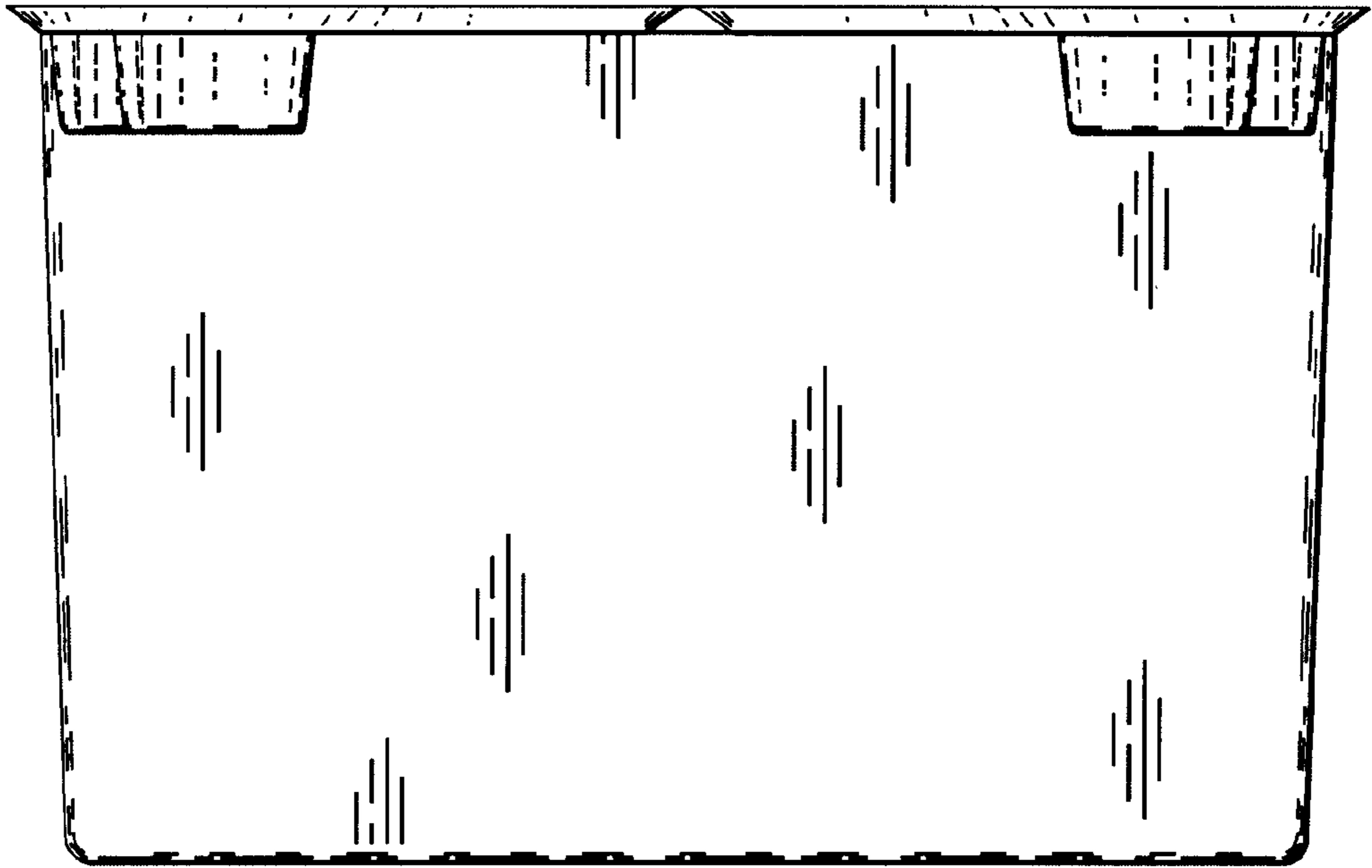


Fig. 3

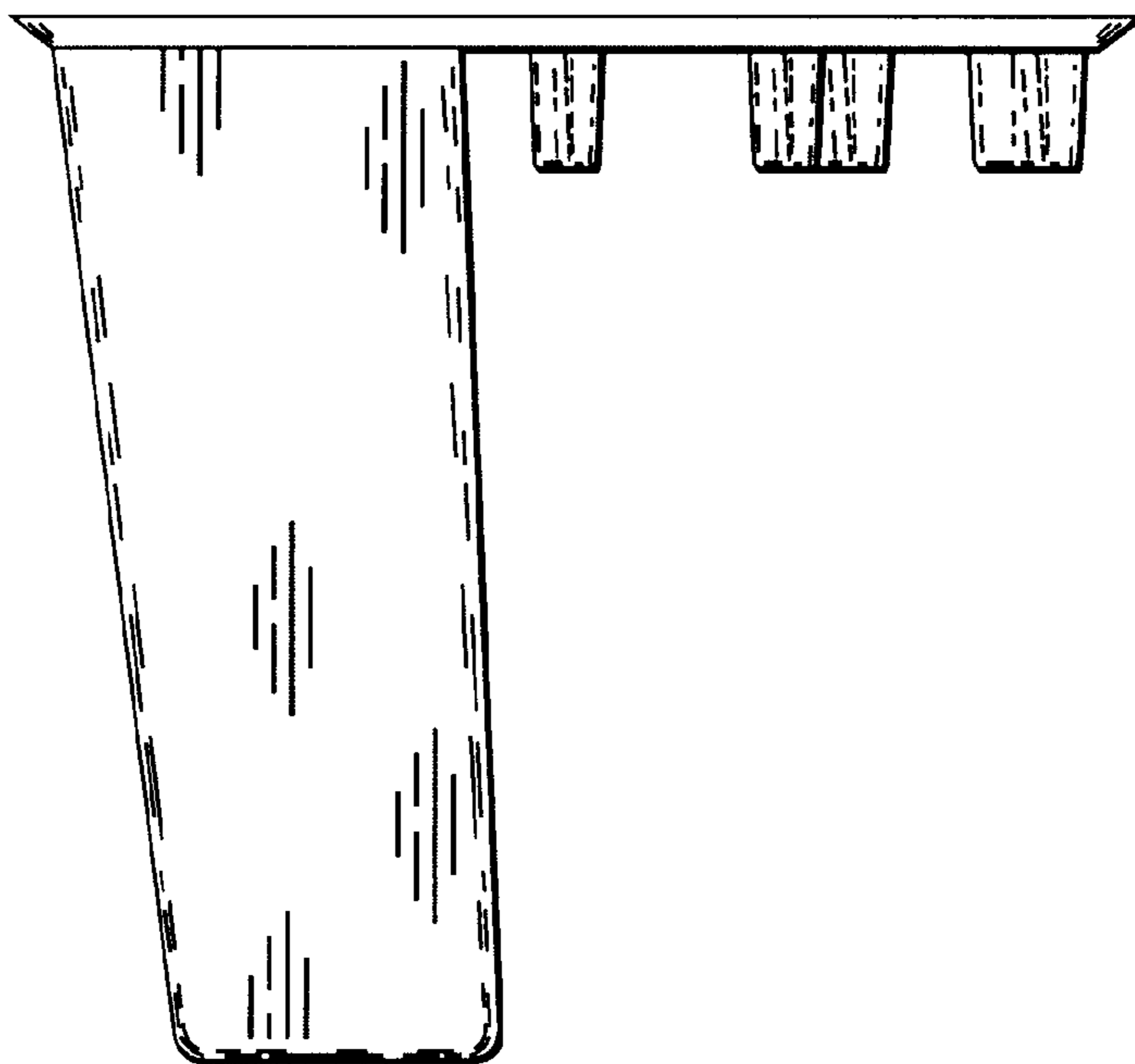


Fig. 4

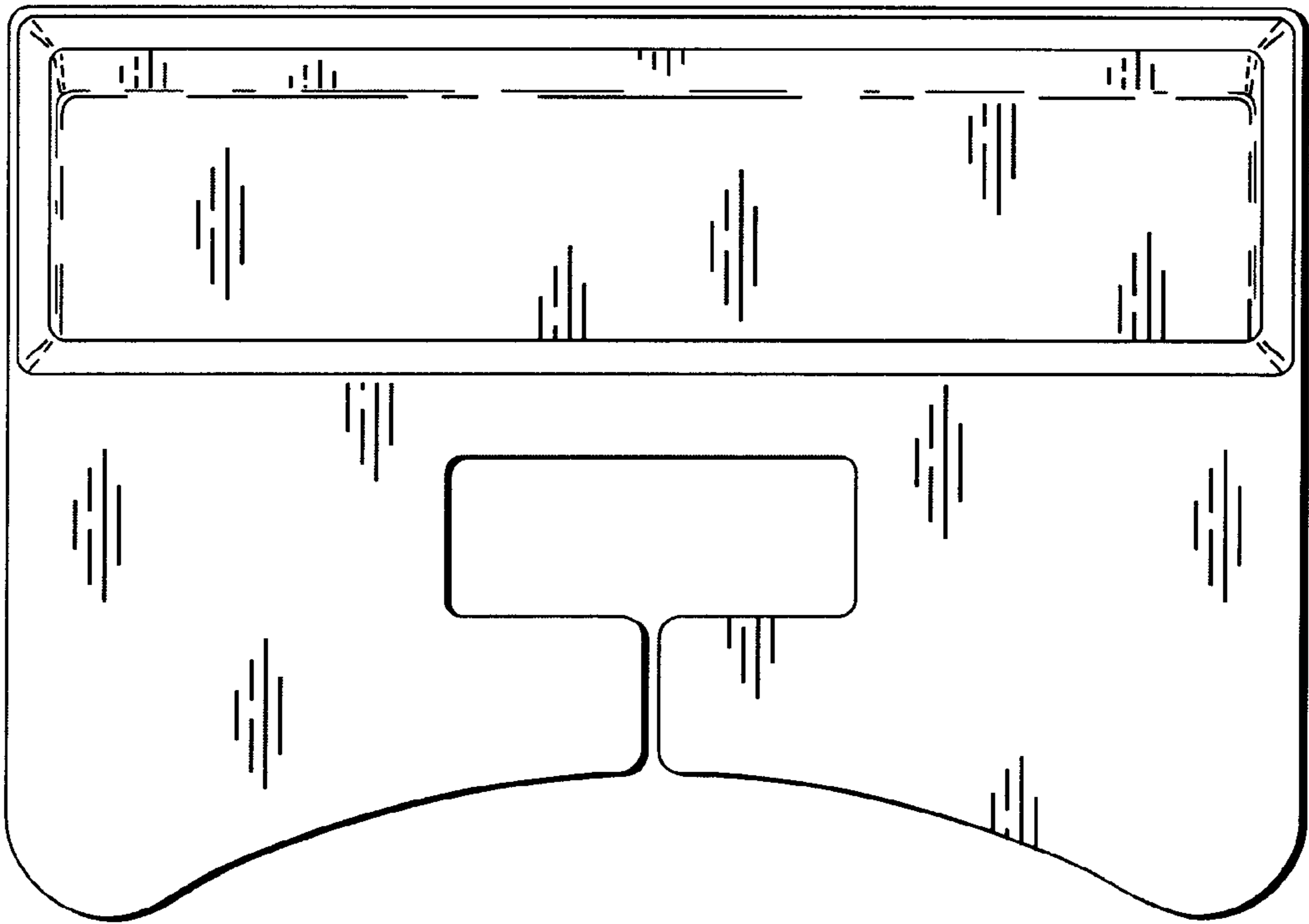


Fig. 5

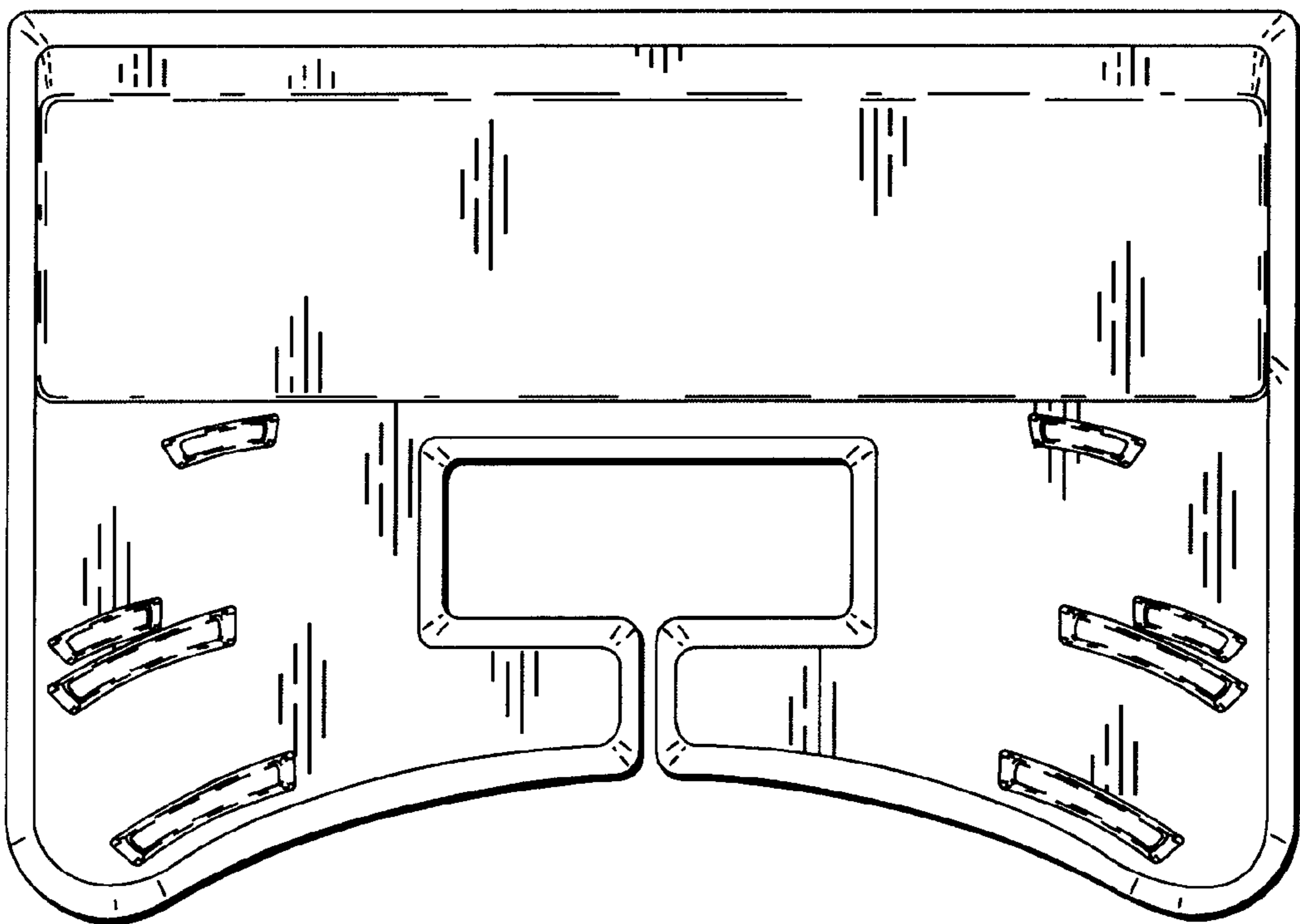


Fig. 6