



US00D473685S

(12) **United States Design Patent**
McLain et al.

(10) **Patent No.:** **US D473,685 S**

(45) **Date of Patent:** **** Apr. 22, 2003**

(54) **BUFFING PAD**

4,490,873 A * 1/1985 Stratton 15/50.1
D369,447 S * 4/1996 Mann et al. D32/25

(76) Inventors: **Scott S. McLain**, 7070 Mallard
Crossing, Wind Lake, WI (US) 53185;
Richard A. Kaiser, N84 W28518
Center Oak Rd., Hartland, WI (US)
53029

OTHER PUBLICATIONS

Breuer Electric Mfg. Co., Chicago IL: Tornada bassine
scrubbing brush and union mixture polishing brush, p. 3,
Tornado brochure.*
Sears Fall & Winter 1965 catalog: floor-polishing brush and
scrubbing-waxing brush, p. 1422.*

(**) **Term:** **14 Years**

* cited by examiner

(21) **Appl. No.:** **29/149,906**

Primary Examiner—Louis S. Zarfes
Assistant Examiner—Robert A. Delehanty
(74) *Attorney, Agent, or Firm*—Andrus, Scealess, Starke &
Sawall

(22) **Filed:** **Oct. 18, 2001**

(51) **LOC (7) Cl.** **15-05**

(52) **U.S. Cl.** **D32/25**

(58) **Field of Search** D32/15-21, 25,
D32/32-33; 15/4, 28, 87, 50.1, 246.2, 256.52,
327.6, 327.7, 347, 415.1, 345; D4/102,
119-120

CLAIM

The ornamental design of a buffing pad, as shown and
described.

(56) **References Cited**

DESCRIPTION

U.S. PATENT DOCUMENTS

- D194,093 S * 11/1962 Mullinix et al. D32/25
- 3,069,711 A * 12/1962 Lappin D32/19
- 3,082,451 A * 3/1963 Smithson 15/4
- 3,101,505 A * 8/1963 Belicka et al. 15/50.1 X
- 3,121,895 A * 2/1964 Burgoon 15/50.1
- 3,316,579 A * 5/1967 Smith 15/50.1 X
- D211,550 S * 6/1968 Miles et al. D32/19
- D211,812 S * 7/1968 Brubaker et al. D32/25
- 3,987,512 A * 10/1976 Meyerhoefer 15/50.1

FIG. 1 is a perspective view of a buffing pad showing our
new design;
FIG. 2 is a bottom plan thereof;
FIG. 3 is a side view thereof; and,
FIG. 4 is a top plan thereof.
The broken line showing of a hole and inner ring of the
buffing pad is for illustrative purposes only and forms no
part of the claimed design.

1 Claim, 2 Drawing Sheets

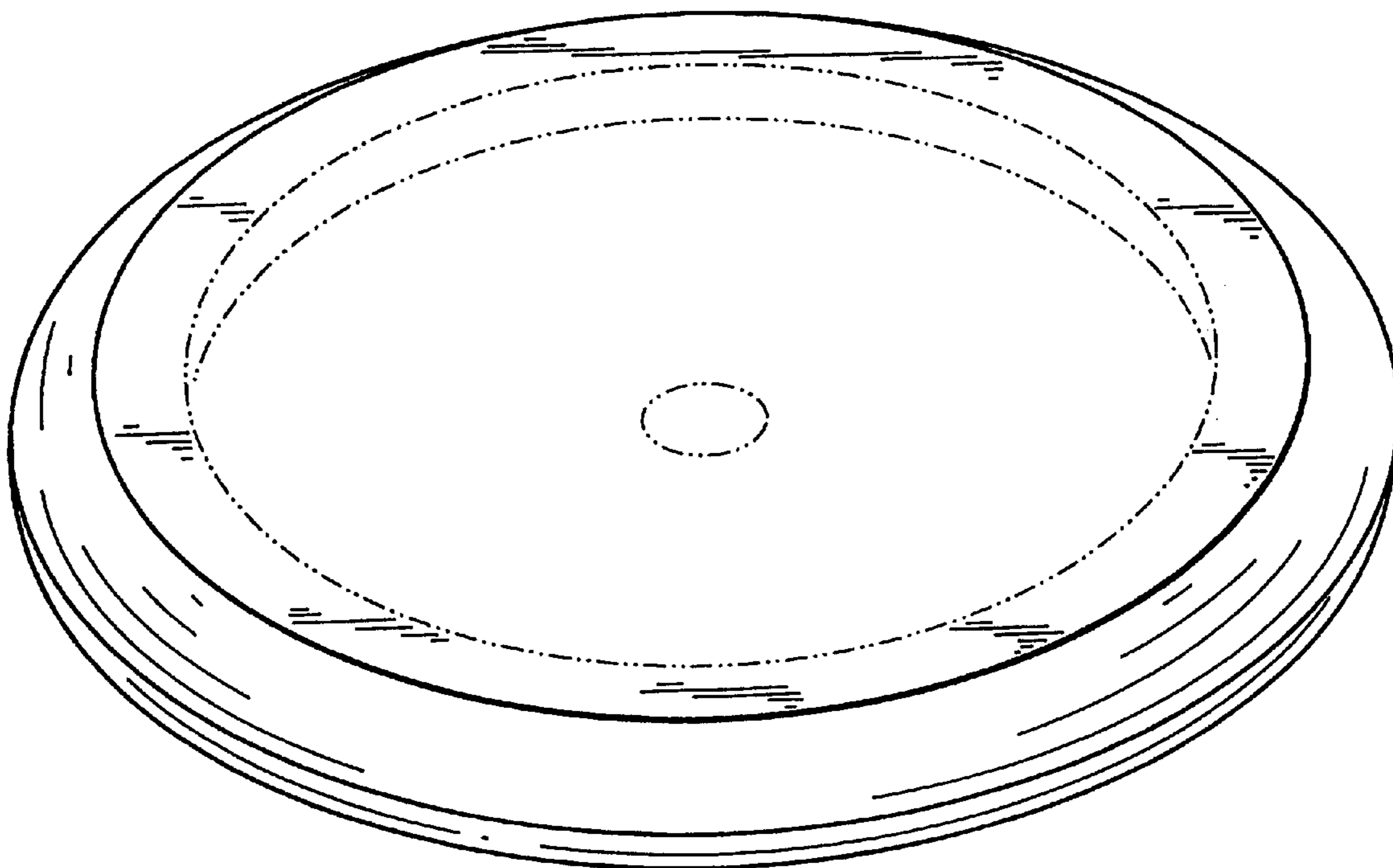


FIG. 1

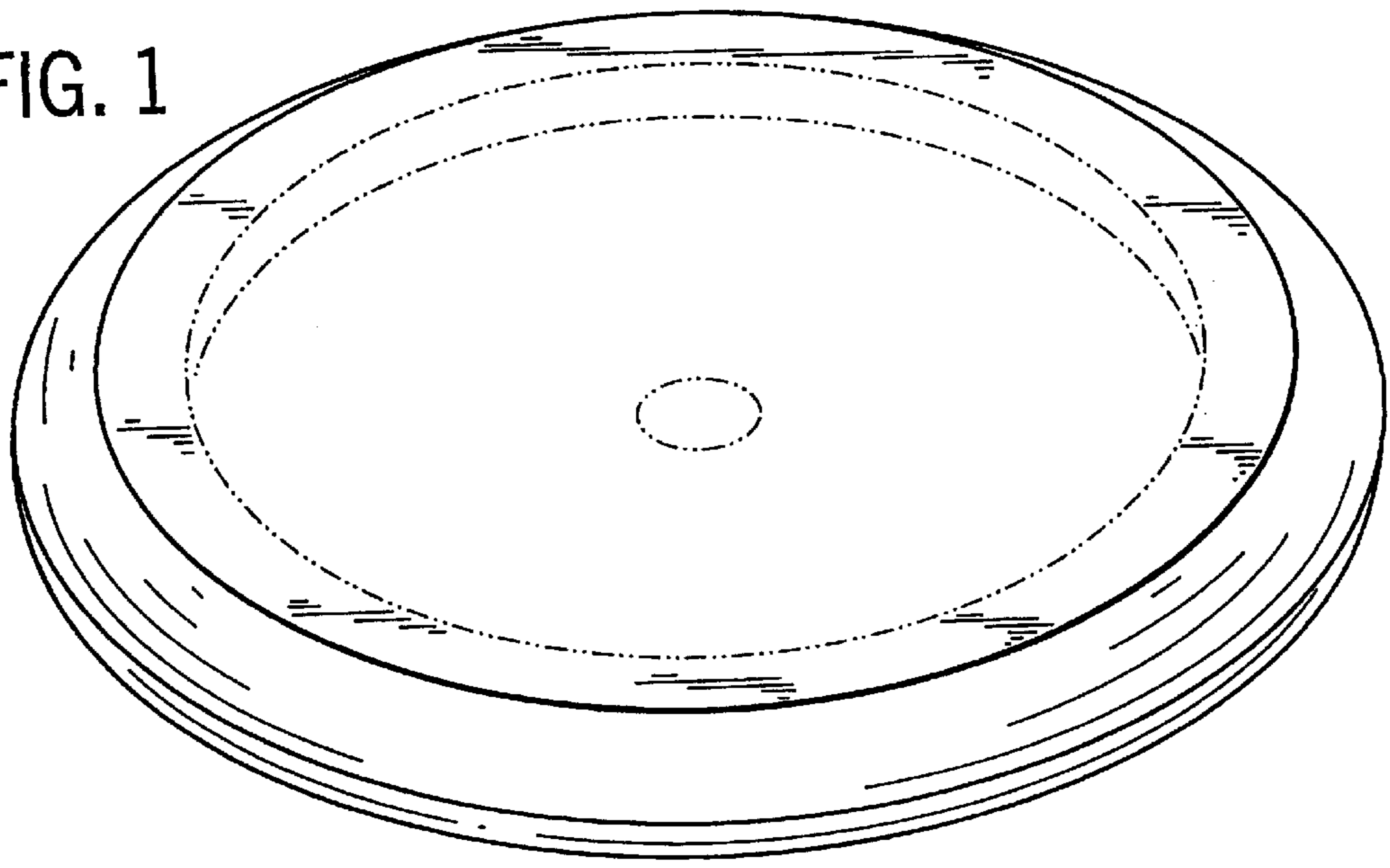


FIG. 2

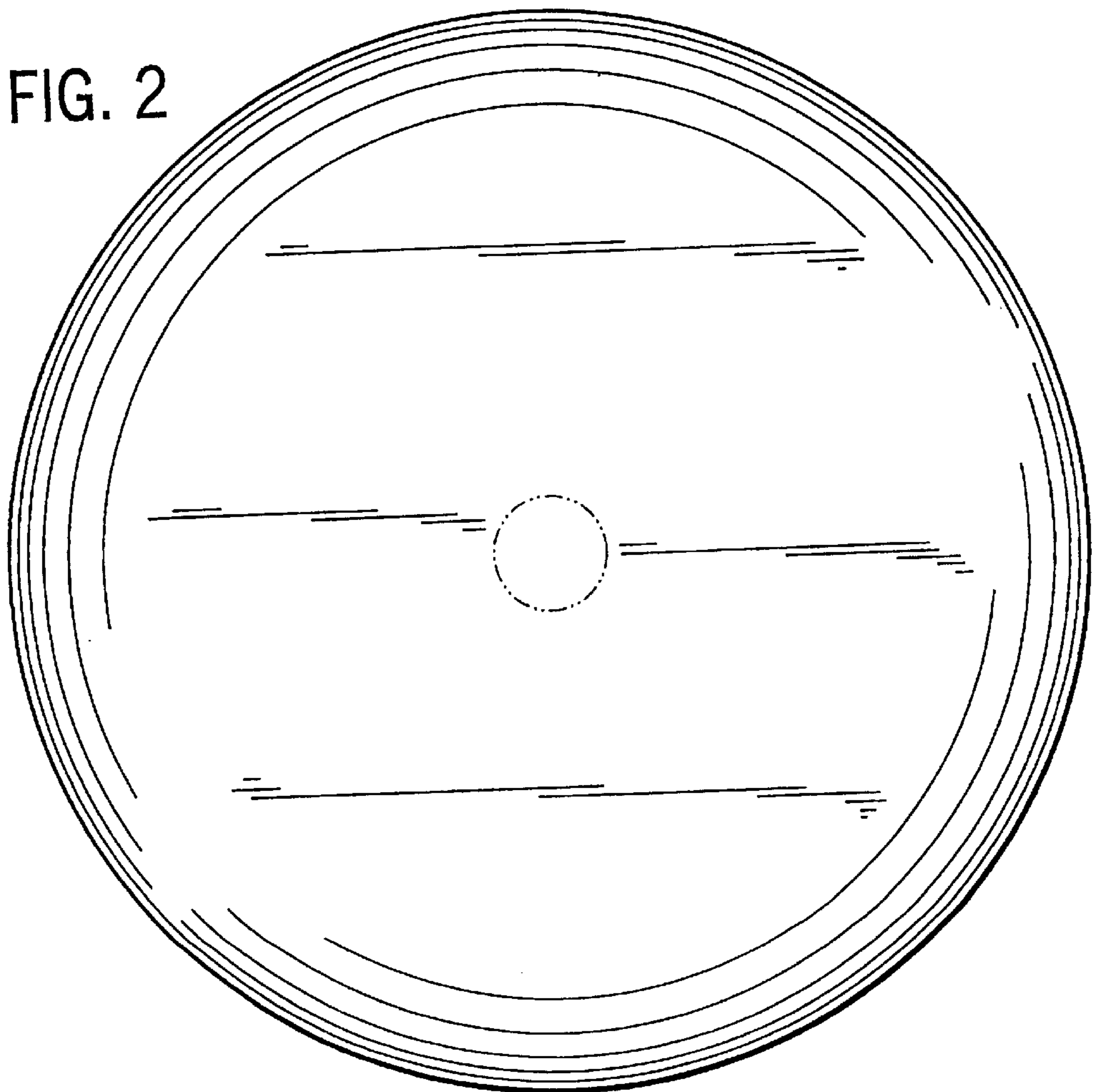


FIG. 3



FIG. 4

