



US00D473684S

(12) **United States Design Patent**  
**Wendt**

(10) **Patent No.:** **US D473,684 S**

(45) **Date of Patent:** **\*\* Apr. 22, 2003**

(54) **DISHWASHER CONTROL PANEL**

D460,224 S \* 7/2002 Richardson ..... D32/2

(75) Inventor: **Karl R. C. Wendt**, Jackson, TN (US)

**FOREIGN PATENT DOCUMENTS**

(73) Assignee: **Maytag Corporation**, Newton, IA (US)

EP 0 728 437 A1 8/1996

JP 411346981 A 12/1999

(\*\*) Term: **14 Years**

\* cited by examiner

(21) Appl. No.: **29/160,670**

*Primary Examiner*—Louis S. Zarfes

(22) Filed: **May 15, 2002**

*Assistant Examiner*—Robert A Delehanty

(51) **LOC (7) Cl.** ..... **15-05**

(52) **U.S. Cl.** ..... **D32/3**

(58) **Field of Search** ..... D32/1-3, 5-6,  
D32/8, 10, 12, 25, 28; 137/374; 15/DIG. 7,  
DIG. 11; 134/135, 560, 570, 580; 312/109;  
68/3 R, 12.26, 12.27; D7/339, 348-349;  
34/524, 108, 139

(74) *Attorney, Agent, or Firm*—McKee, Voorhees & Sease,  
P.L.C.

(57) **CLAIM**

I claim the ornamental design for a dishwasher control panel or similar article, substantially as shown and described.

(56) **References Cited**

**DESCRIPTION**

**U.S. PATENT DOCUMENTS**

5,365,959 A	11/1994	Favaro	
D403,471 S	12/1998	Brace	
D425,676 S	5/2000	Roberts	
D437,982 S	2/2001	Jeong	
D438,352 S	2/2001	Jeong	
D441,149 S	4/2001	Bournay, Jr. et al.	
D455,874 S	* 4/2002	Resuello et al. ....	D32/3
D456,572 S	* 4/2002	Resuello et al. ....	D32/6

FIG. 1 is a perspective view of a dishwasher having a control panel with the design of the present invention.

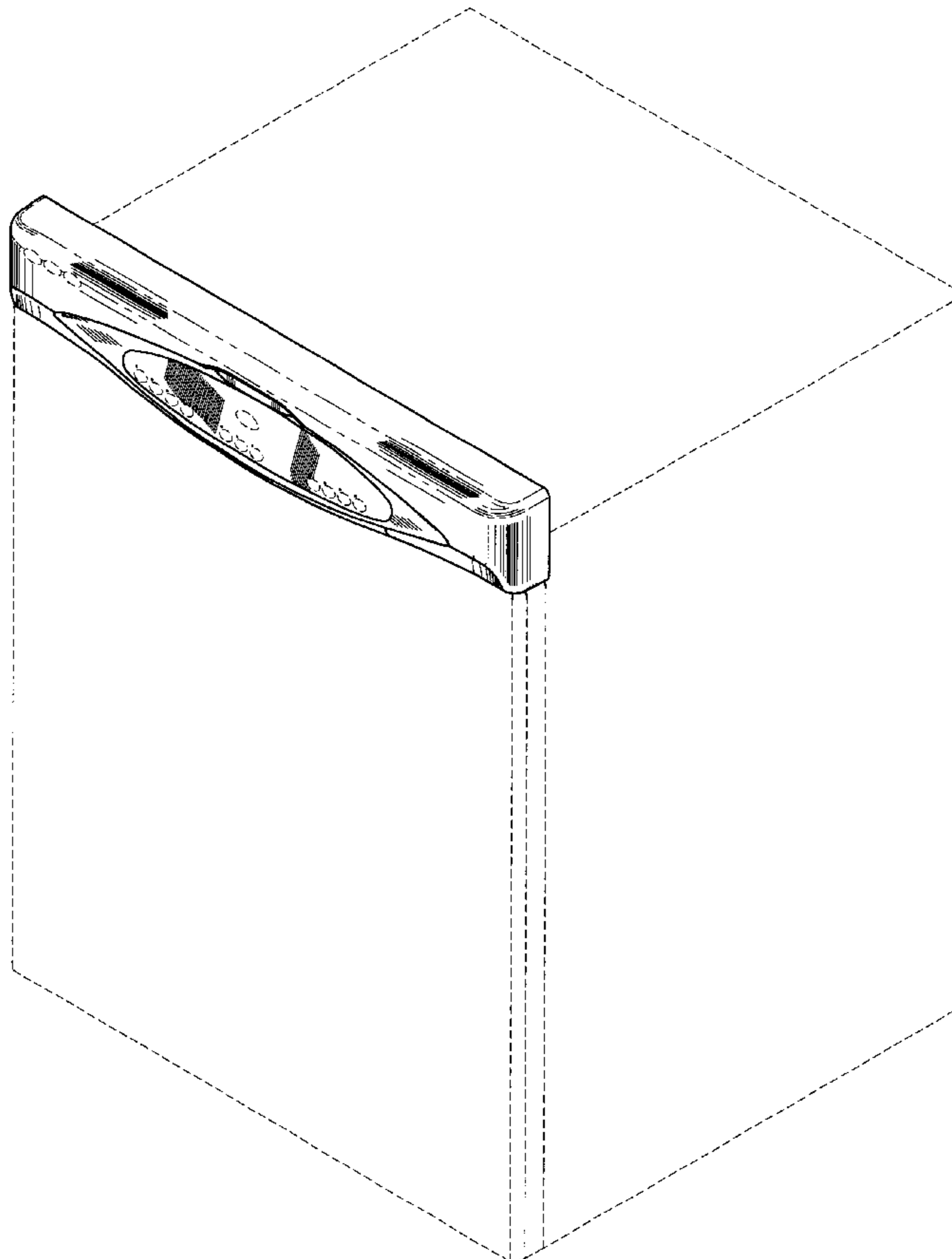
FIG. 2 is a front elevation view of the dishwasher door and control panel.

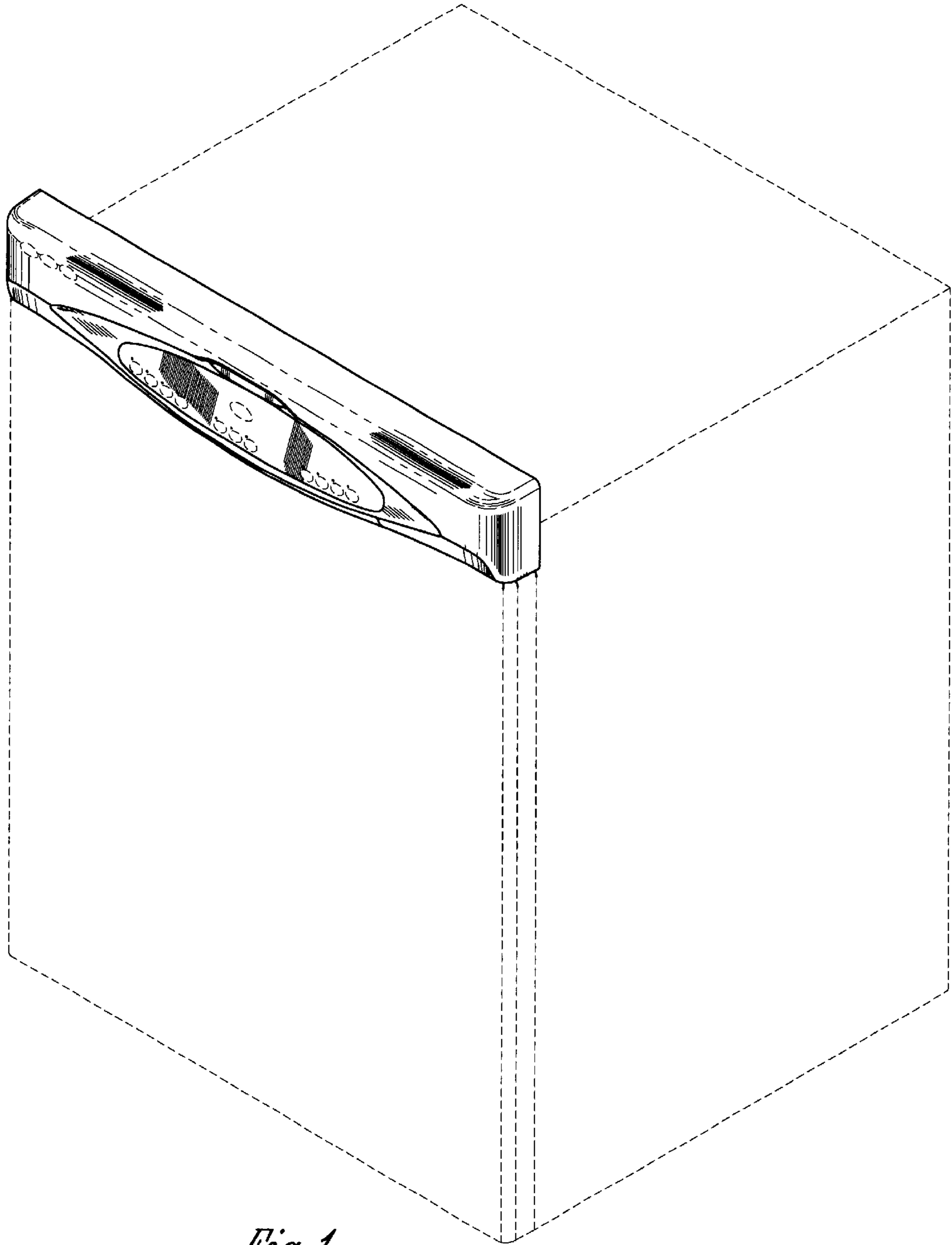
FIG. 3 is a right side elevation view thereof, with the left side elevation view being a mirror image; and,

FIG. 4 is a top plan view of the control panel.

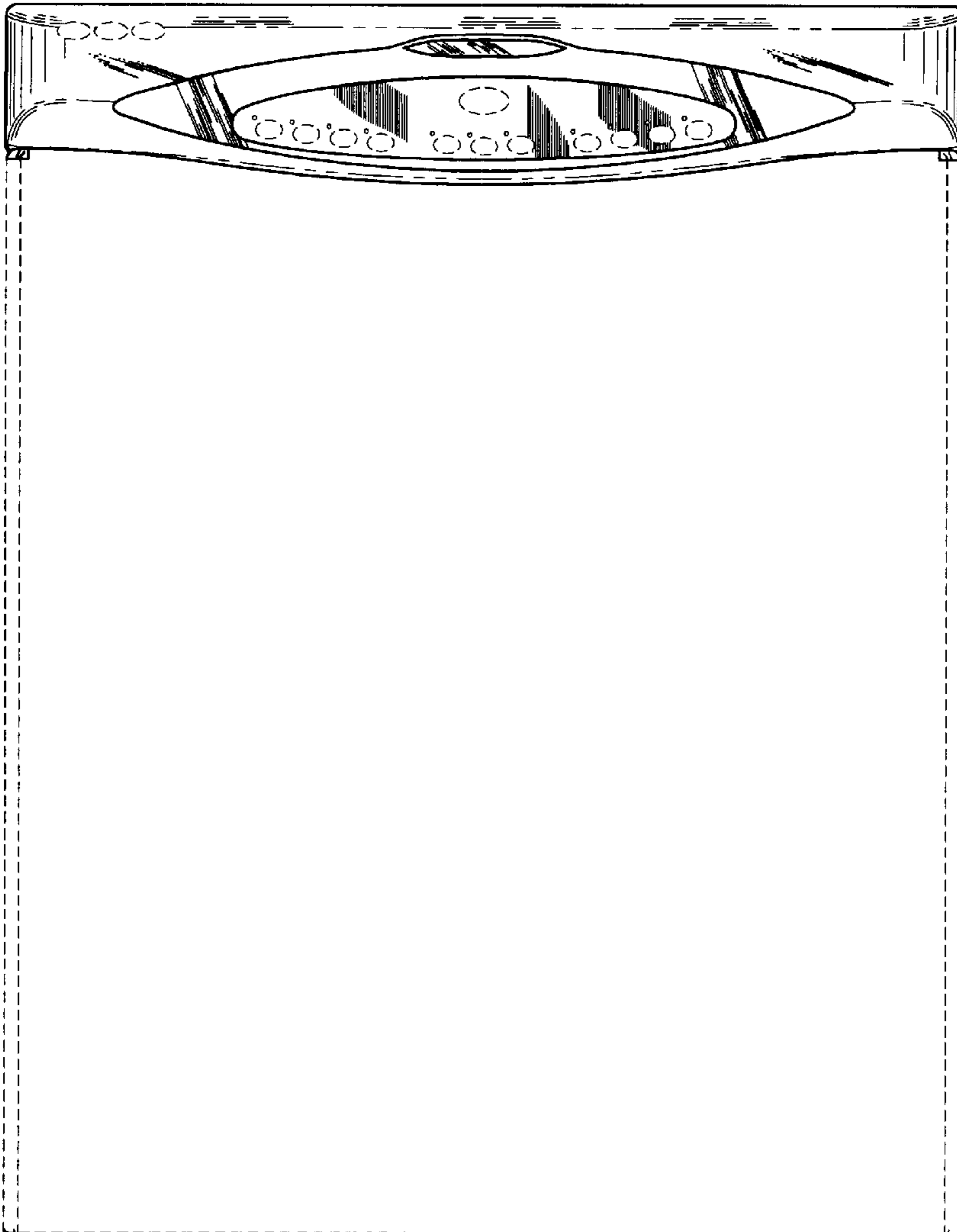
The broken line showing of a dishwasher body is for illustrative purposes only and forms no part of the claimed design.

**1 Claim, 2 Drawing Sheets**

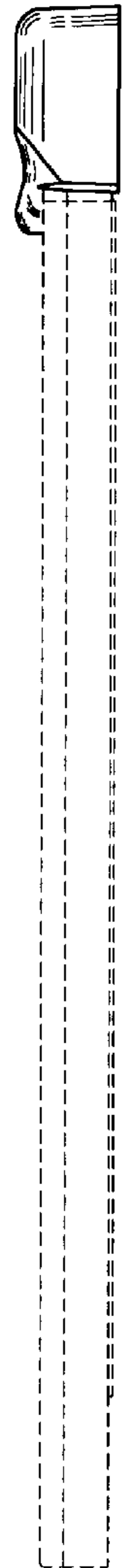




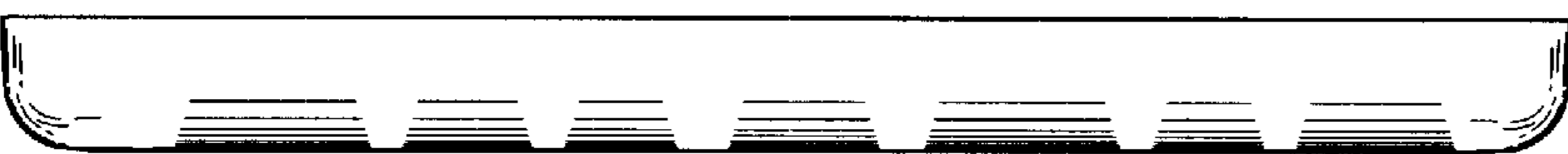
*Fig. 1*



*Fig. 2*



*Fig. 3*



*Fig. 4*